



US00D984845S

(12) **United States Design Patent** (10) **Patent No.:** **US D984,845 S**
Shen (45) **Date of Patent:** **** May 2, 2023**

(54) **GRILL**
(71) Applicant: **Nelson Shen**, Guangdong (CN)
(72) Inventor: **Nelson Shen**, Guangdong (CN)
(**) Term: **15 Years**
(21) Appl. No.: **29/757,051**
(22) Filed: **Nov. 2, 2020**
(51) **LOC (14) Cl.** **07-02**
(52) **U.S. Cl.**
USPC **D7/334**
(58) **Field of Classification Search**
USPC D7/323, 332-339, 387, 402-406, 408,
D7/409; D21/523, 524; D23/335, 337,
D23/339, 343, 345
CPC A47J 37/00; A47J 37/06; A47J 37/0647;
A47J 37/0658; A47J 37/07-0754; A47J
37/0763; A47J 37/0781; A47J 37/0786;
A47J 2037/0777; A47J 2037/0795
See application file for complete search history.

D923,382 S * 6/2021 Boltz D7/334
D934,610 S * 11/2021 Chung F23H 17/02
D7/334
D948,917 S * 4/2022 Chung A47J 37/0786
D7/334
2012/0103319 A1* 5/2012 Sheridan F23H 17/02
126/181
2013/0340741 A1* 12/2013 Kahler A47J 37/0786
126/25 R
2022/0003416 A1* 1/2022 Choi A47J 37/0786

OTHER PUBLICATIONS

Beale Street Cart—Stainless Steel Pellet Grill, Memphis Wood Fire Grills, [online], [site visited May 27, 2022], Available from internet URL: <https://memphisgrills.com/product/beale-street-stainless-steel/> (Year: 2022).*

* cited by examiner

Primary Examiner — Mary Ann Calabrese
Assistant Examiner — Natalya M Rapundalo

(57) **CLAIM**

The ornamental design for a grill, as shown and described.

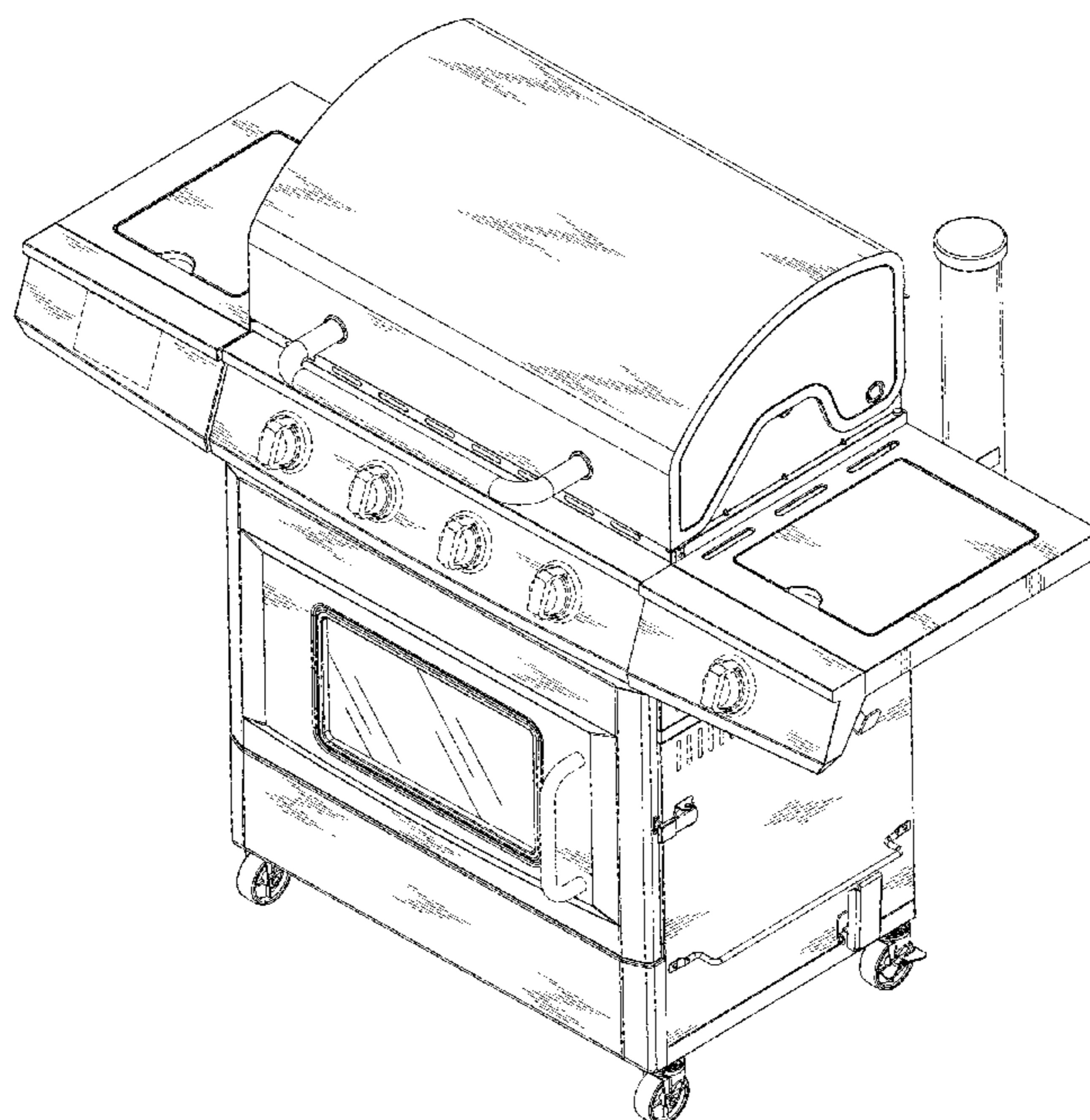
DESCRIPTION

FIG. 1 is a perspective view of a grill showing my new design;
FIG. 2 is a front side view thereof;
FIG. 3 is a back side view thereof;
FIG. 4 is a left side view thereof;
FIG. 5 is a right side view thereof;
FIG. 6 is a top plan view thereof; and,
FIG. 7 is a bottom plan view thereof.
The broken lines show portions of the grill and form no part of the claimed design.

1 Claim, 6 Drawing Sheets

(56) **References Cited**
U.S. PATENT DOCUMENTS

D541,575 S * 5/2007 Lutz D7/334
D549,512 S * 8/2007 Chung D7/334
D586,609 S * 2/2009 Chau D7/334
D662,347 S * 6/2012 May D7/334
D680,798 S * 4/2013 Chung D7/334
D688,512 S * 8/2013 Chung D7/334
D693,624 S * 11/2013 Chung D7/334
D722,809 S * 2/2015 Chung D7/334
D731,843 S * 6/2015 Chung D7/334
D790,901 S * 7/2017 Zhou D7/334
D799,259 S * 10/2017 Lira-Nunez D7/334
D843,771 S * 3/2019 Wong D7/334
D854,871 S * 7/2019 Williams D7/334



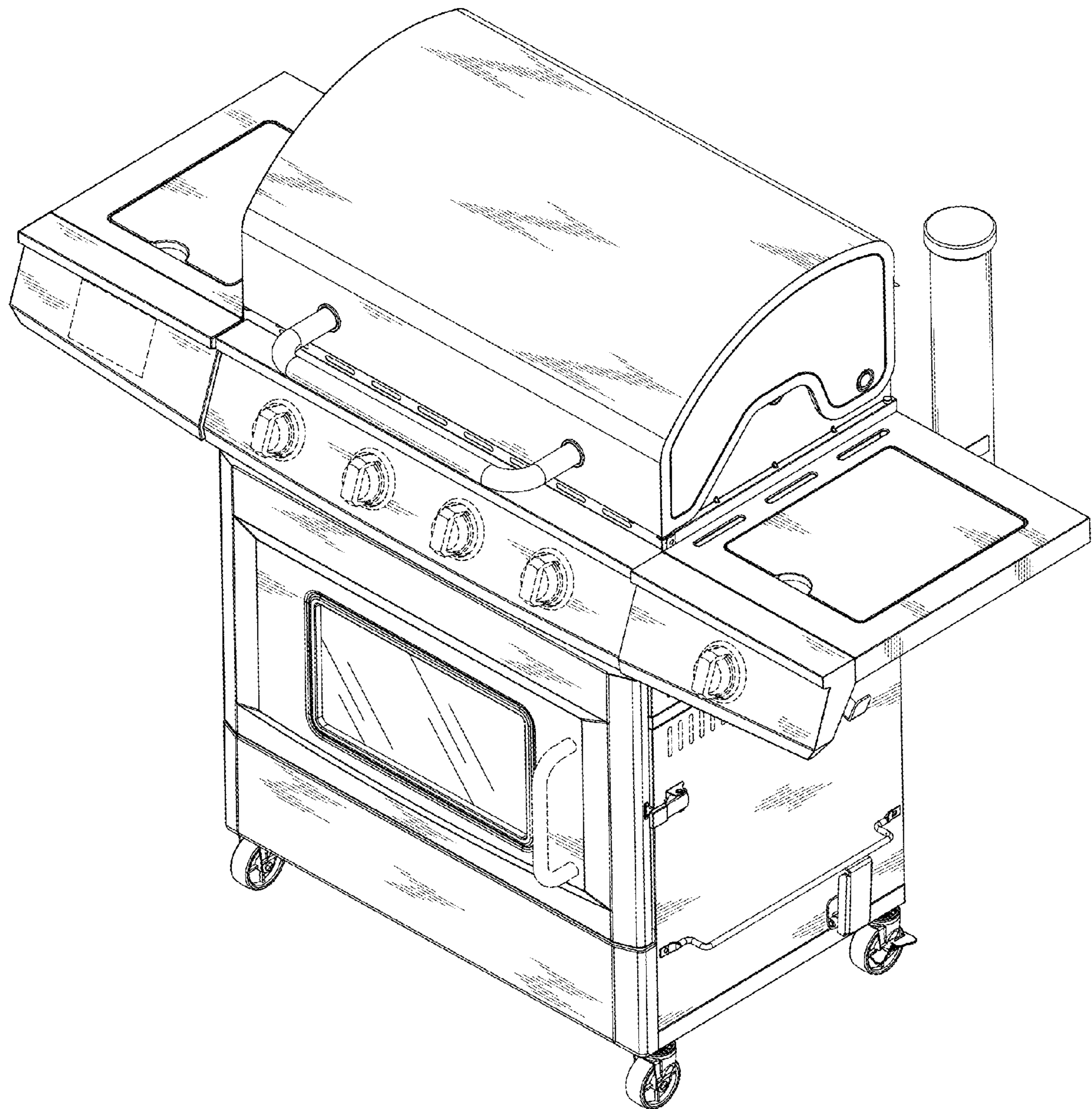


FIG. 1

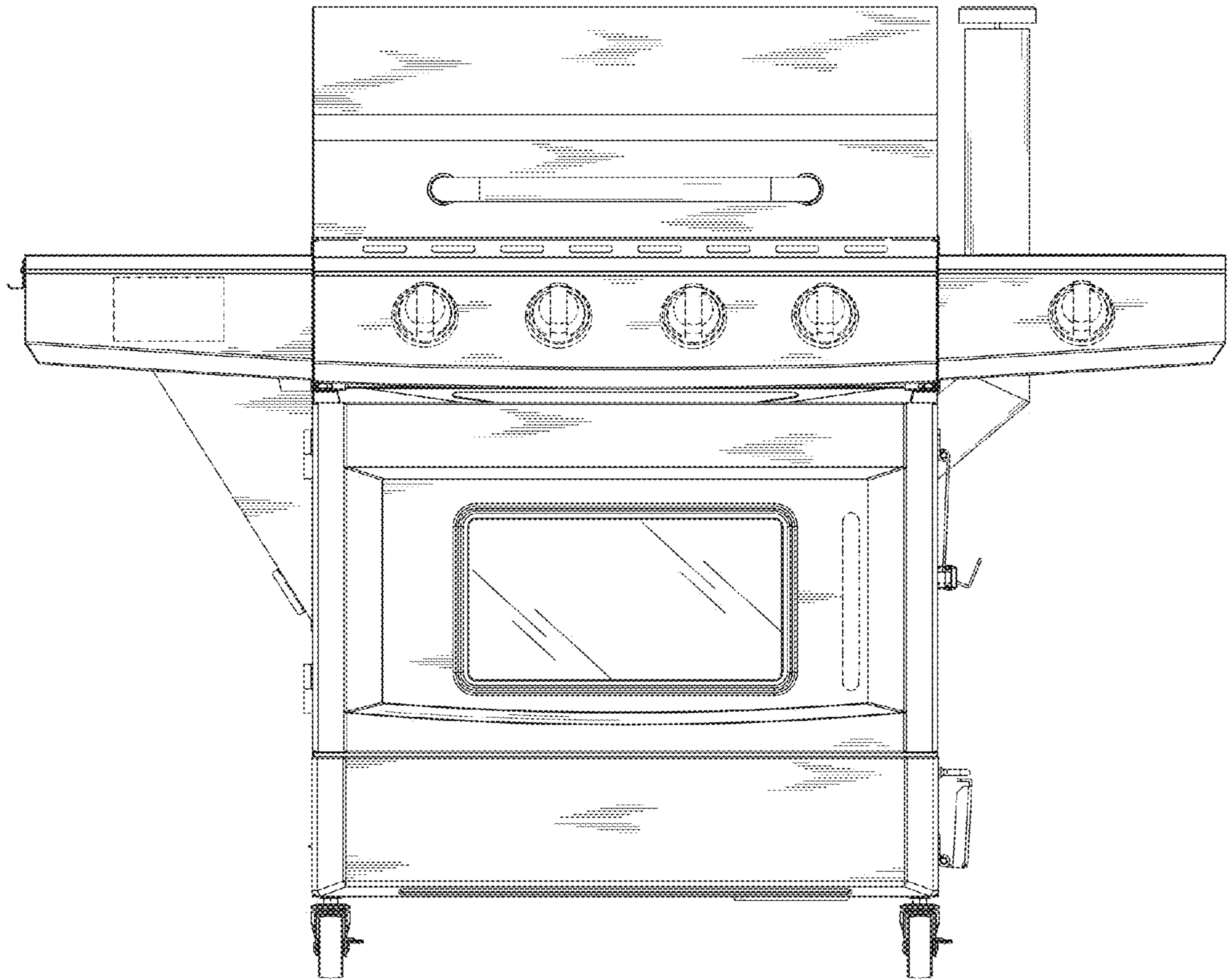


FIG. 2

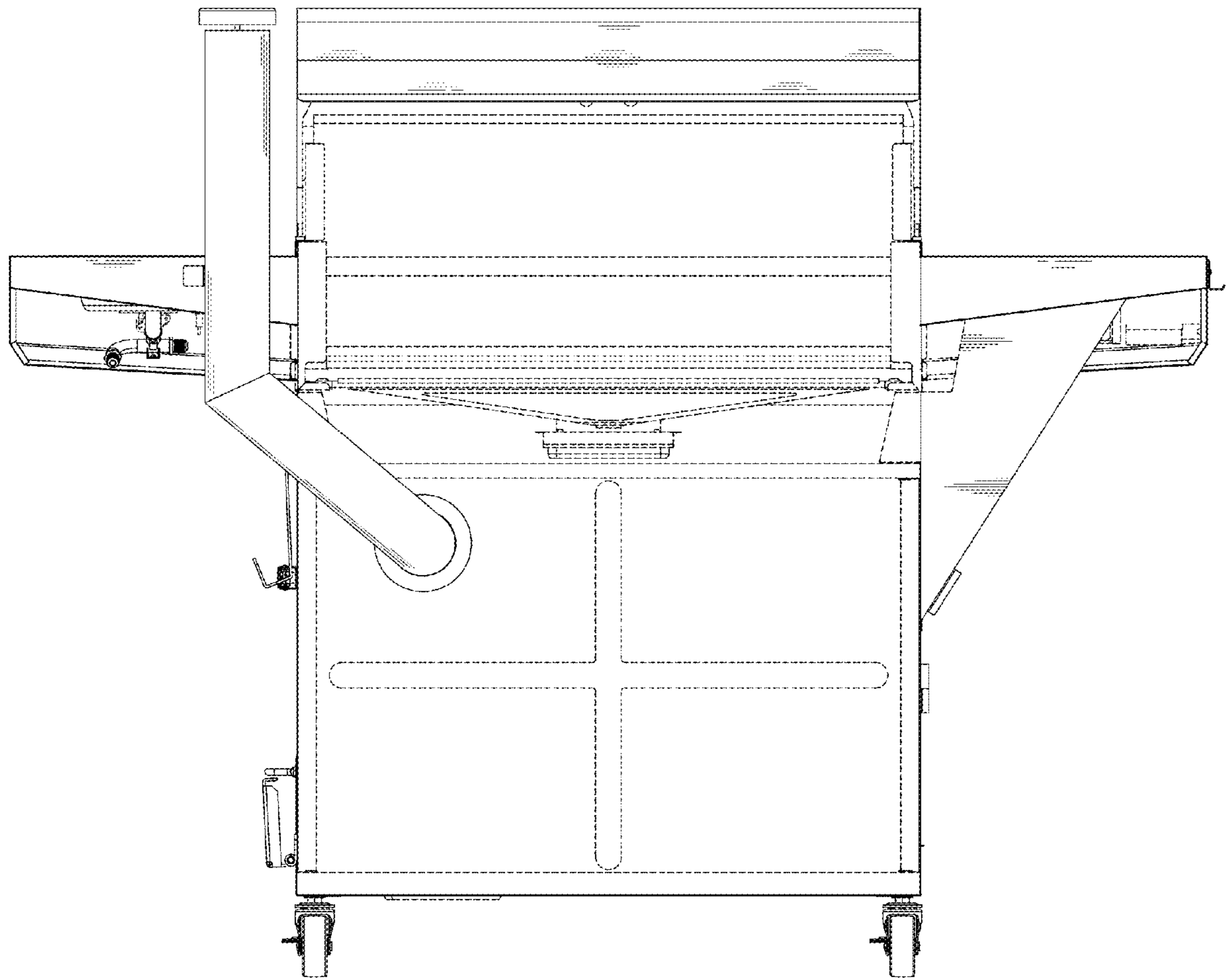


FIG. 3

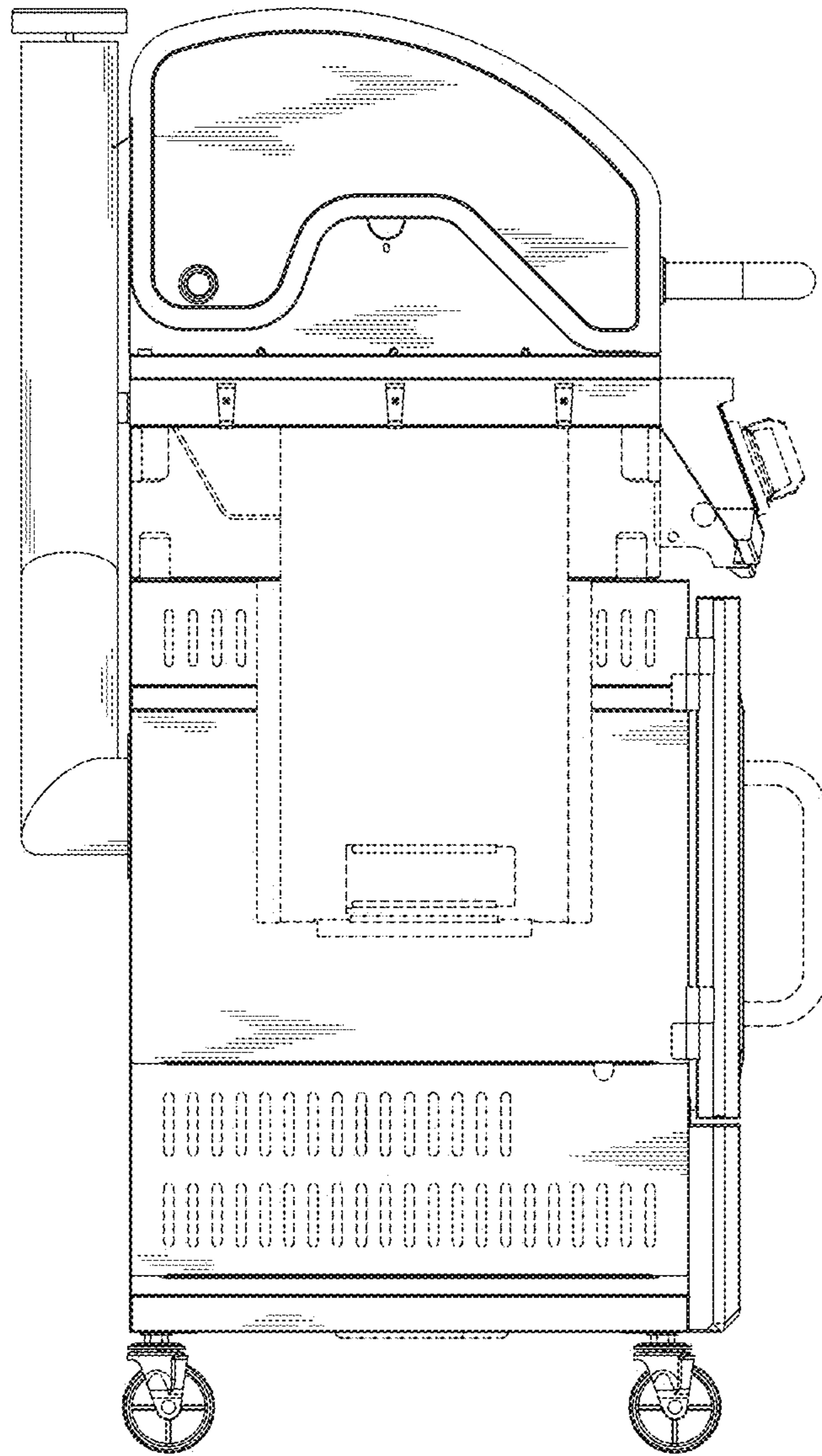


FIG. 4

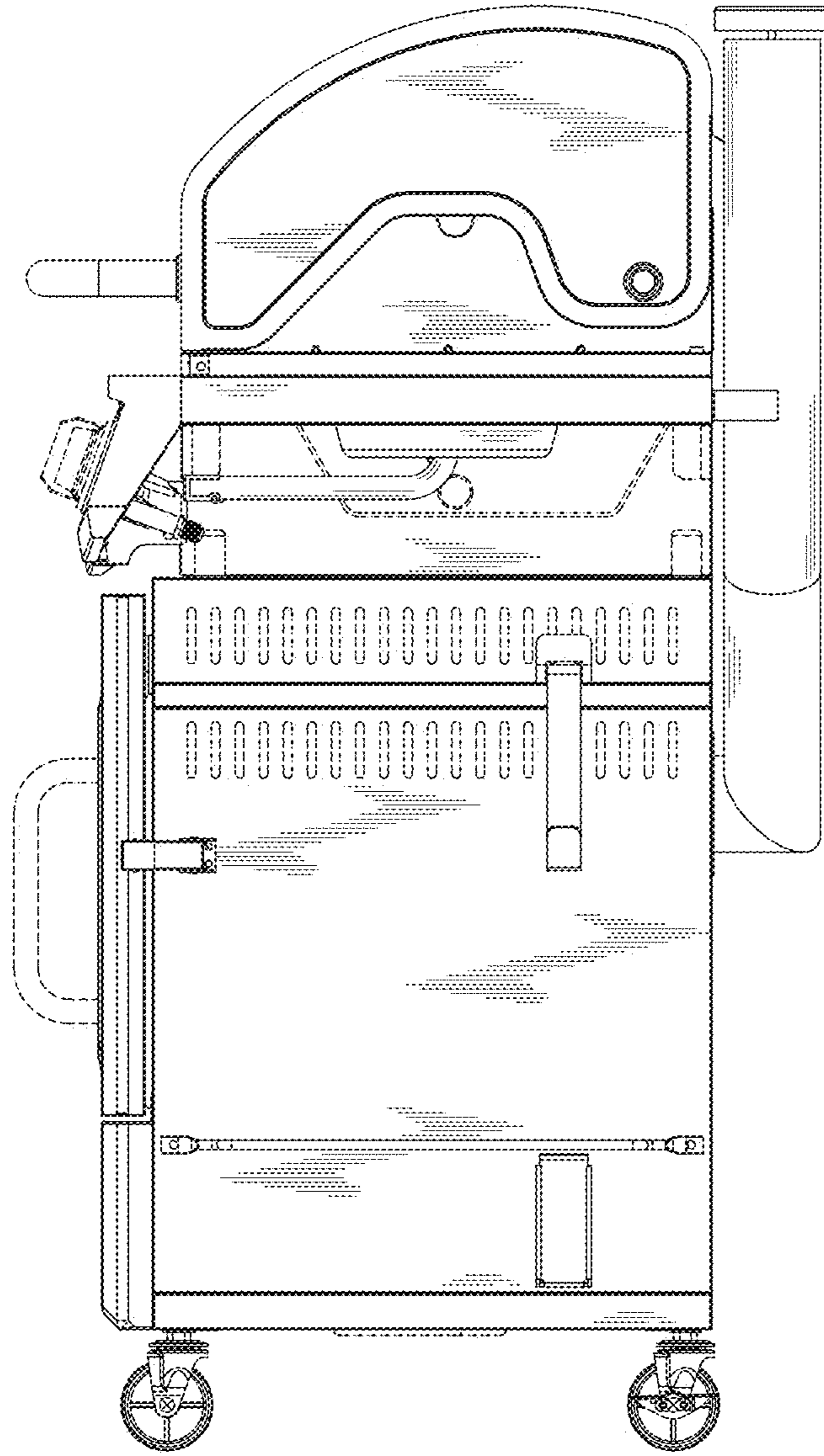


FIG. 5

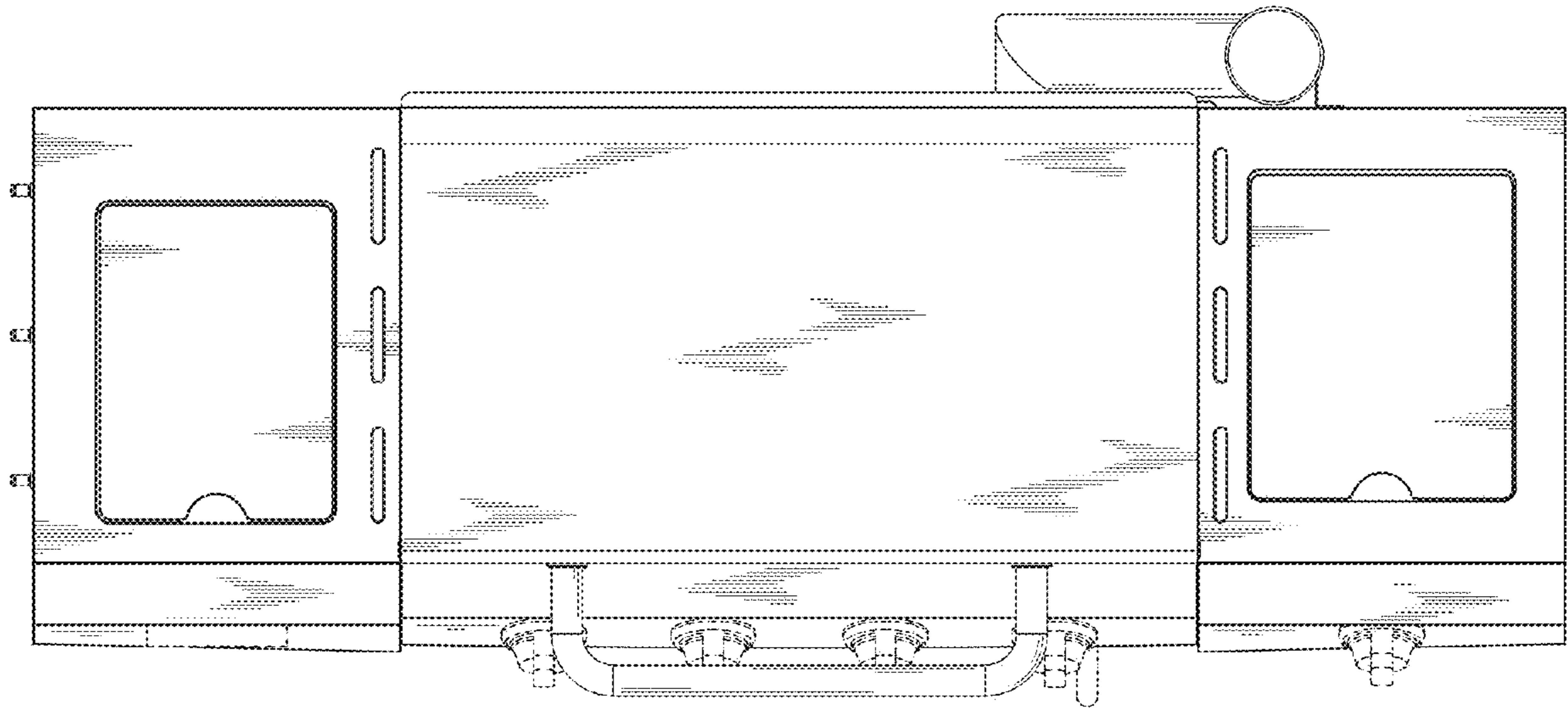


FIG. 6

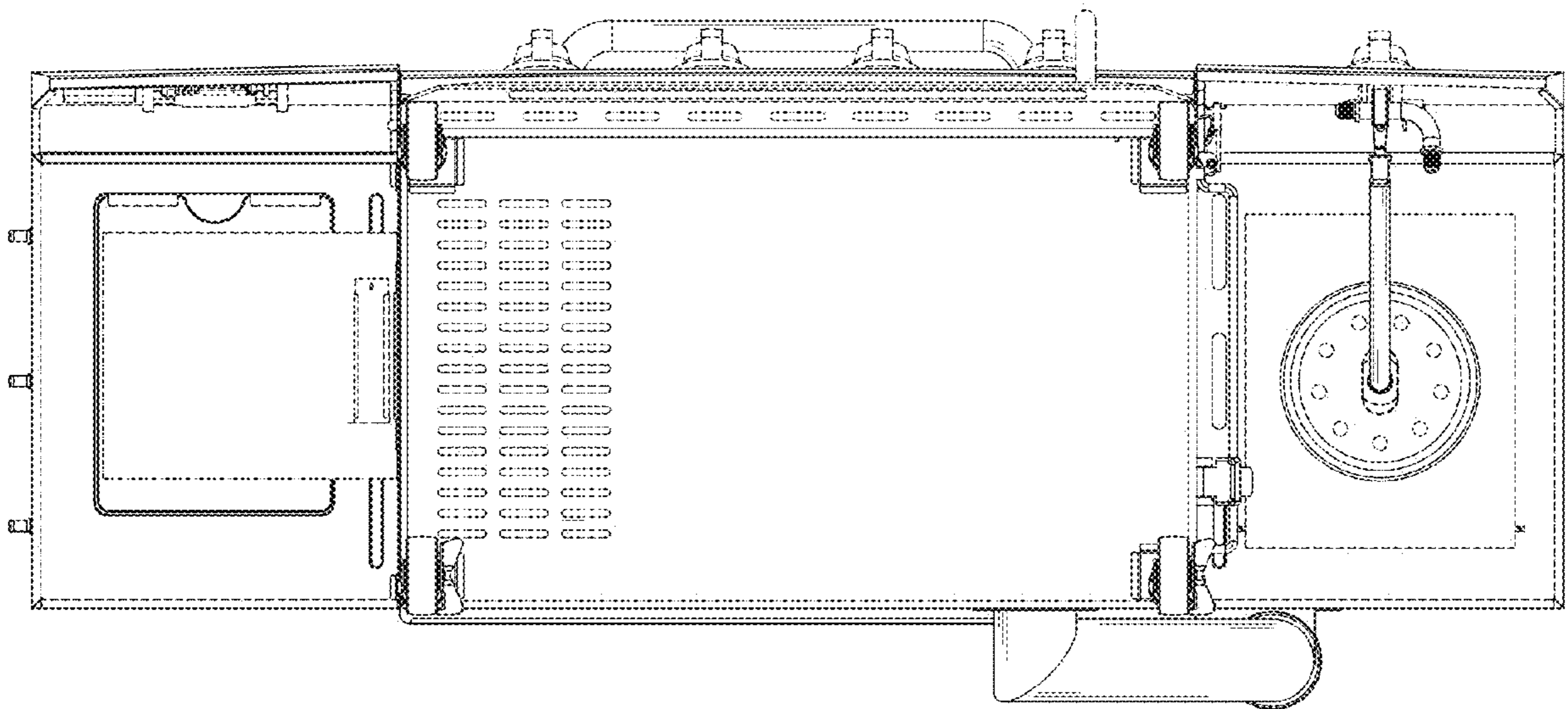


FIG. 7