



US00D984841S

(12) **United States Design Patent** (10) **Patent No.:** **US D984,841 S**
Guo (45) **Date of Patent:** **** May 2, 2023**

(54) **ELECTRIC KETTLE**

(71) Applicant: **Ning Guo**, Huizhou (CN)

(72) Inventor: **Ning Guo**, Huizhou (CN)

(**) Term: **15 Years**

(21) Appl. No.: **29/865,031**

(22) Filed: **Jul. 1, 2022**

Related U.S. Application Data

(63) Continuation of application No. 29/766,996, filed on Jan. 20, 2021, now Pat. No. Des. 961,982, and a
(Continued)

(51) **LOC (14) Cl.** **07-01**

(52) **U.S. Cl.**
USPC **D7/316**

(58) **Field of Classification Search**
USPC D7/301, 302, 303, 305, 310, 311, 312,
D7/313, 314, 315, 316, 317, 318, 319,
D7/320, 321, 322, 396.6, 397, 398, 399,
D7/400, 589, 590, 619.1, 619.2, 620, 621,
D7/622, 623, 667; D9/516, 523, 524,
D9/527, 528, 547

(Continued)

(56) **References Cited**

U.S. PATENT DOCUMENTS

D437,174 S * 2/2001 Inoue D7/319
D483,225 S * 12/2003 Gain D7/532

(Continued)

FOREIGN PATENT DOCUMENTS

CN 302733955 * 2/2014
CN 305013430 * 1/2019

(Continued)

OTHER PUBLICATIONS

Ultrathin Foldable Electric Kettle, posted at Amazon.com on Jul. 31, 2018, [site visited Oct. 20, 2022]. Available from internet, URL: <<https://www.amazon.com/Ultrathin-Upgraded-Silicone-Protection-Separable/dp/B07PRGXQBS?th=1>> (Year: 2018).*

(Continued)

Primary Examiner — Andrew Kerr

Assistant Examiner — Chariton Alexakis

(74) *Attorney, Agent, or Firm* — Daniel M. Cohn;
Howard M. Cohn

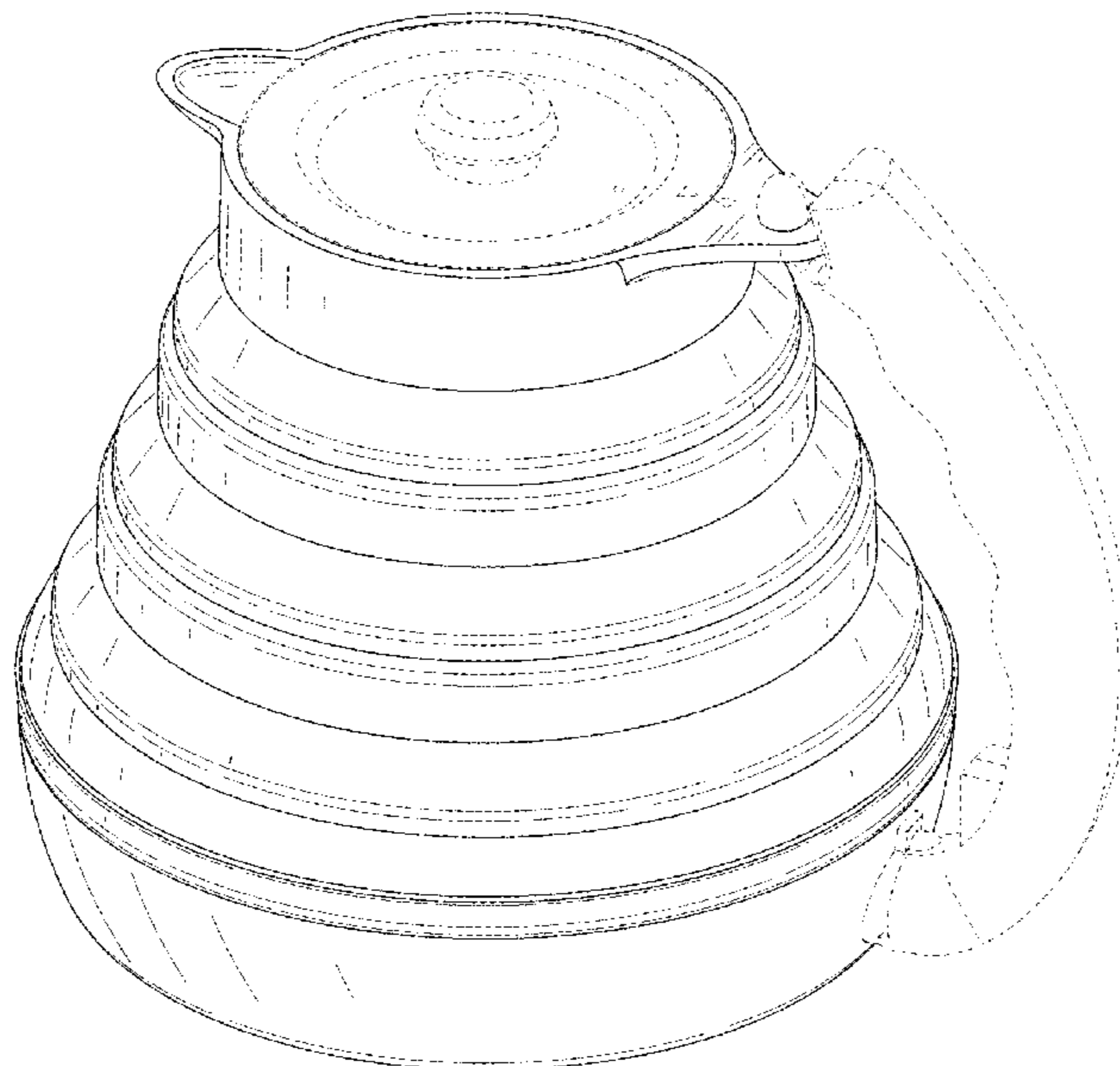
(57) **CLAIM**

The ornamental design for an electric kettle, as shown and described.

DESCRIPTION

FIG. 1 is a perspective view of an electric kettle showing my new design;
FIG. 2 is another perspective view thereof;
FIG. 3 is a front elevational view thereof;
FIG. 4 is a rear elevational view thereof;
FIG. 5 is a left side elevational view thereof;
FIG. 6 is a right side elevational view thereof;
FIG. 7 is a top plan view thereof;
FIG. 8 is a bottom plan view thereof;
FIG. 9 is a perspective view of an electric kettle where the electric kettle is in a first configuration of use;
FIG. 10 is a perspective view of the electric kettle where the electric kettle is in a second configuration of use;
FIG. 11 is a perspective view of the electric kettle where the electric kettle is in a third configuration of use; and,
FIG. 12 is a perspective view of the electric kettle where the electric kettle is in a folded state.
The broken lines in the drawings depict portions of the electric kettle that form no part of the claimed design.

1 Claim, 12 Drawing Sheets



Related U.S. Application Data

continuation of application No. 29/766,997, filed on Jan. 20, 2021, now Pat. No. Des. 963,394.

(58) **Field of Classification Search**

CPC A47G 19/14; A47G 2019/2277; A47G 2021/002; A47G 19/22; A47G 23/0241; A47G 2016/2277; A47J 31/20; A47J 27/2105; A47J 31/005; A47J 27/21175; A47J 27/21; A47J 27/21008; A47J 31/00

See application file for complete search history.

(56)

References Cited

U.S. PATENT DOCUMENTS

D588,893 S * 3/2009 Radich D8/70
 D680,377 S * 4/2013 Romley D7/532
 8,485,388 B2 * 7/2013 Tuan A47G 19/12
 220/666
 8,887,942 B2 * 11/2014 Miksovsky A45F 3/20
 220/666
 D779,886 S * 2/2017 Singlaub D7/532
 D807,676 S * 1/2018 Bodum D9/516
 D828,068 S * 9/2018 Tsui D7/312
 D864,646 S 10/2019 Josancy
 D867,606 S * 11/2019 Shapiro D24/197

D869,893 S * 12/2019 Bodum A45F 3/20
 D7/319
 D871,151 S * 12/2019 Hudson D7/532
 D876,149 S * 2/2020 Bodum A47G 19/12
 D7/318
 D953,088 S 5/2022 Seo et al.
 D961,982 S * 8/2022 Guo A47G 19/14
 D7/320
 D963,394 S * 9/2022 Guo A47J 45/065
 D7/320
 2016/0029848 A1 * 2/2016 Tuan A47J 45/065
 220/764
 2018/0303278 A1 * 10/2018 Sachtleben A47G 19/14

FOREIGN PATENT DOCUMENTS

CN 305084966 * 3/2019
 CN 305847827 * 6/2020

OTHER PUBLICATIONS

Ultrathin Travel Foldable Electric Kettle, posted at Amazon.com on Sep. 18, 2021, [site visited Oct. 20, 2022]. Available from internet, URL: <<https://www.amazon.com/Ultrathin-Silicone-Foldable-Temperature-Protection/dp/B09XM4KVD8?th=1>> (Year: 2021).*

* cited by examiner

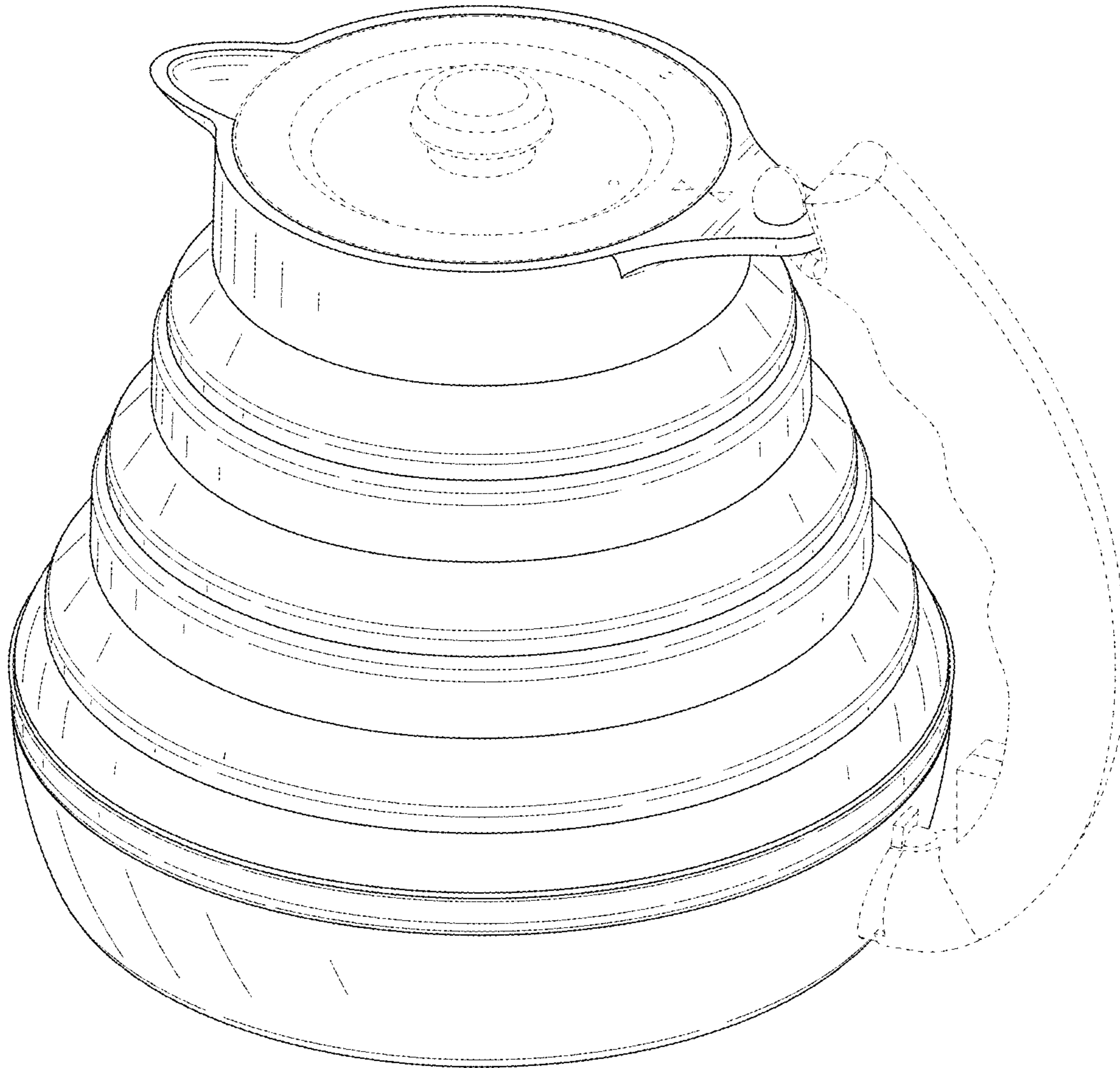


FIG. 1

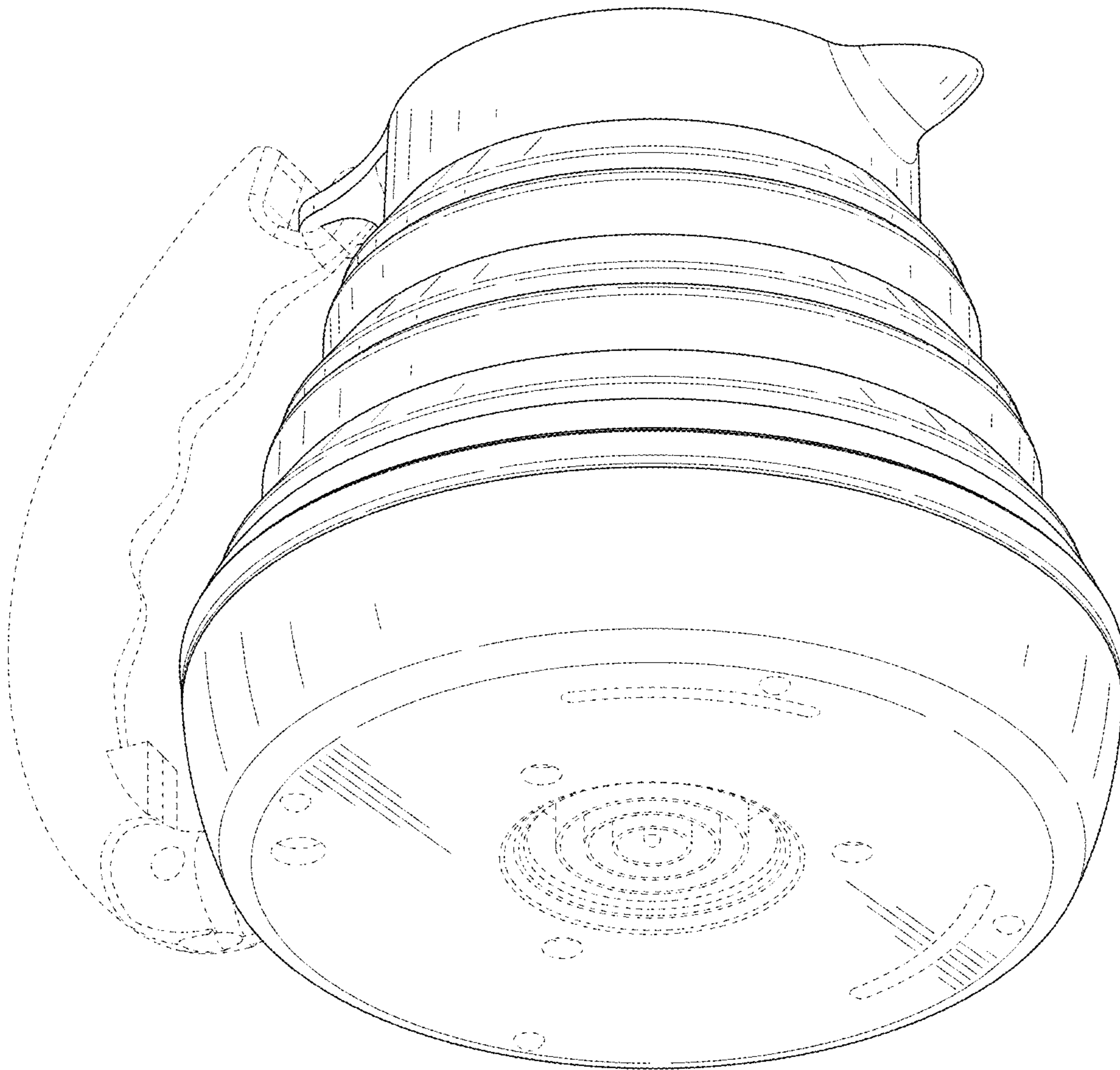


FIG. 2

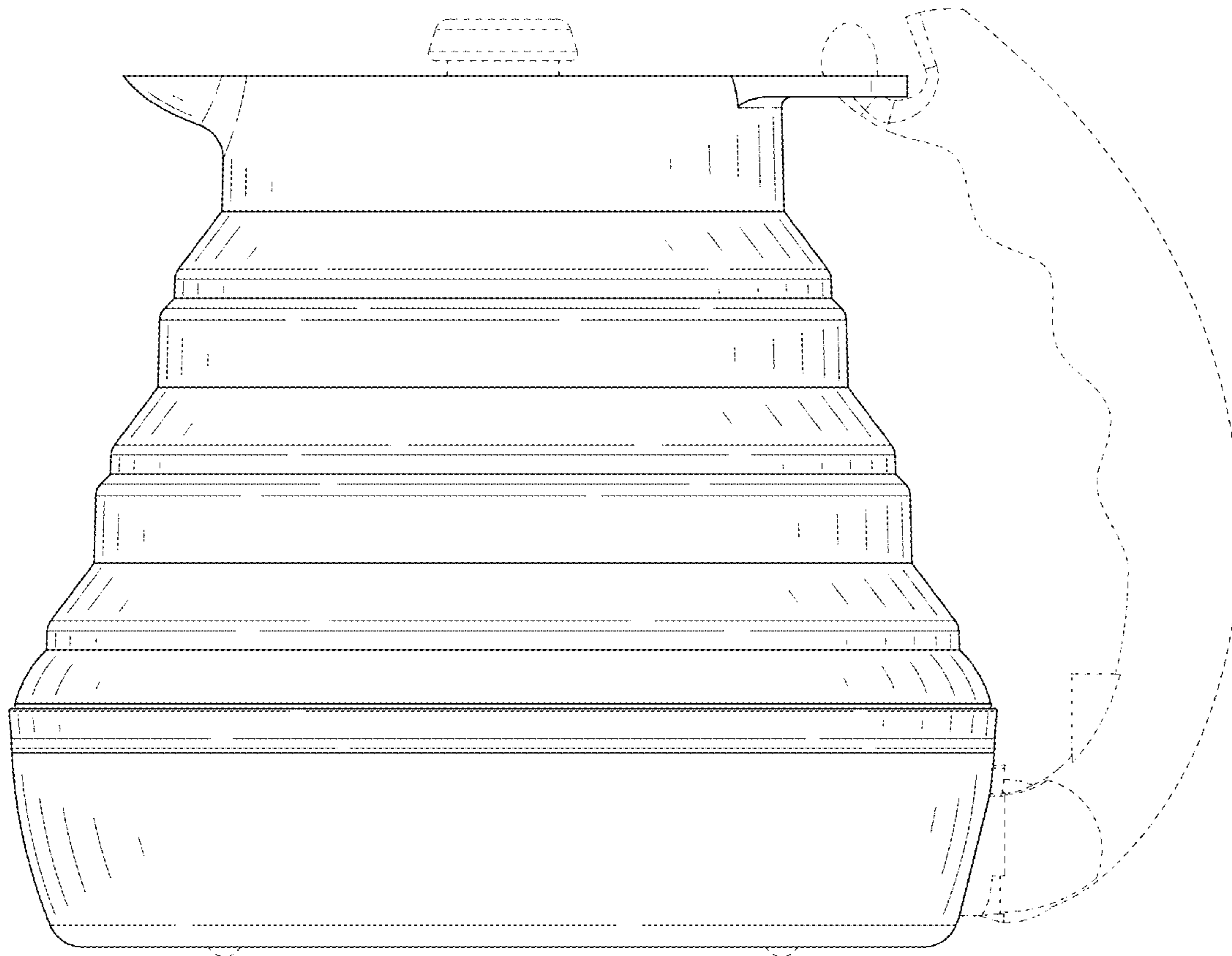


FIG. 3

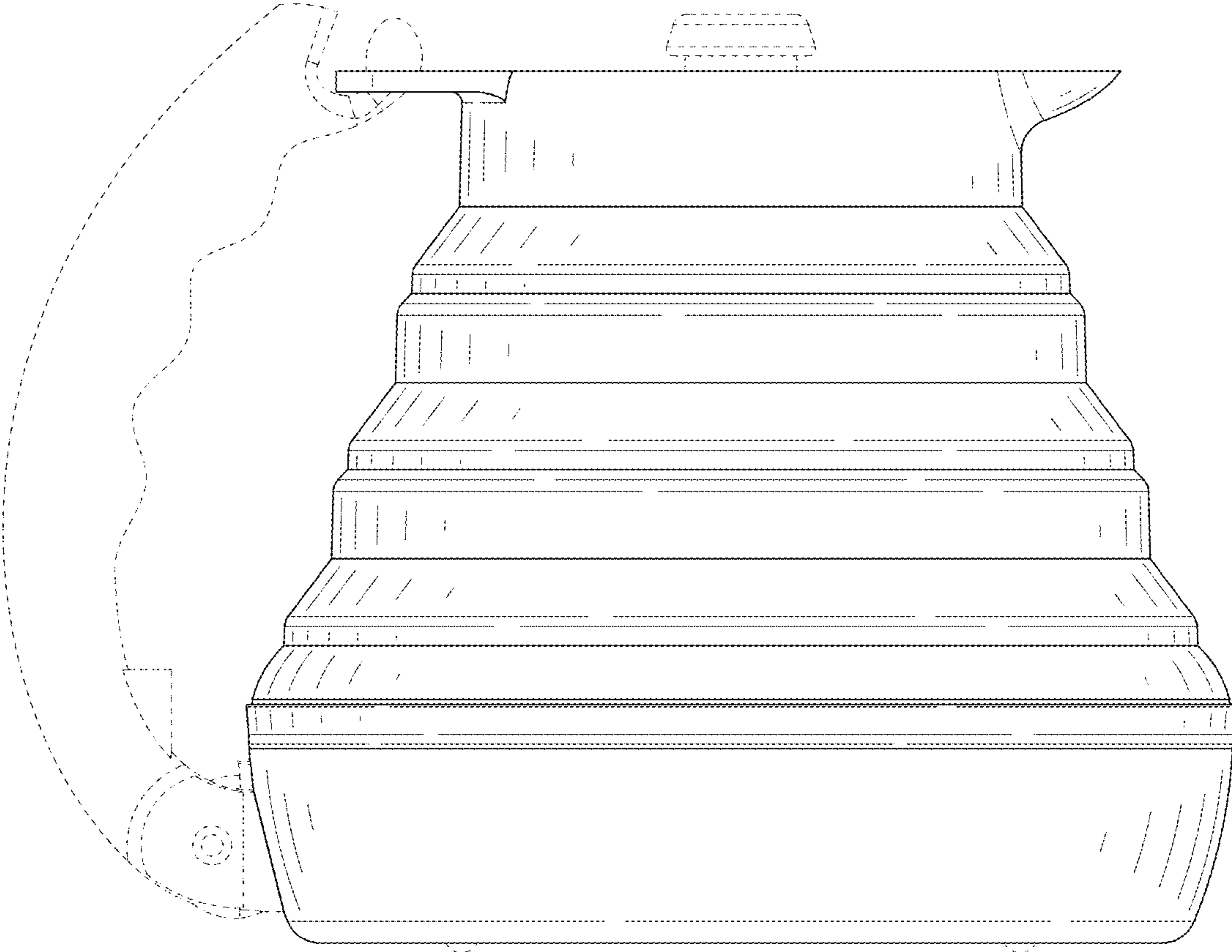


FIG. 4

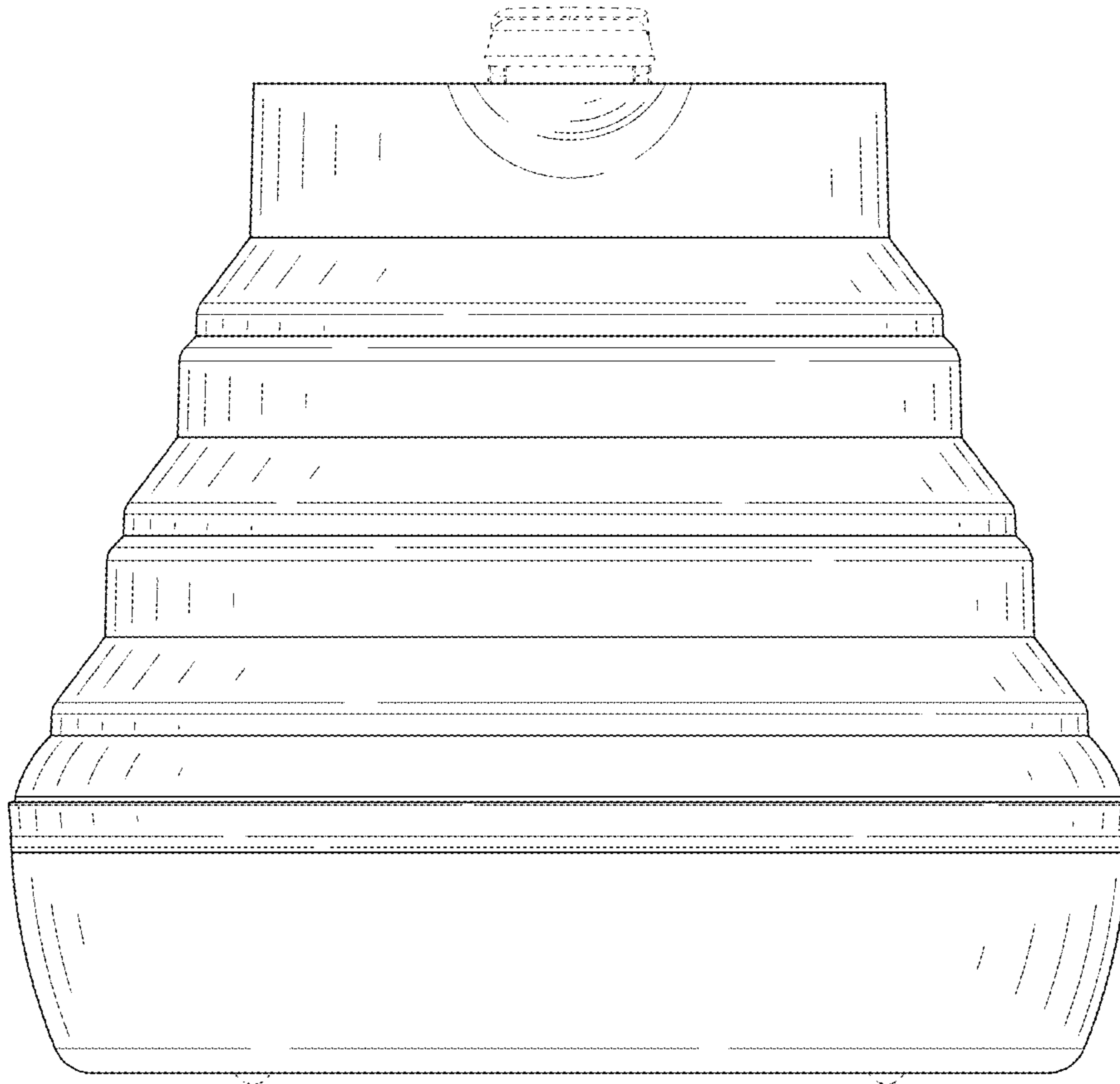


FIG. 5

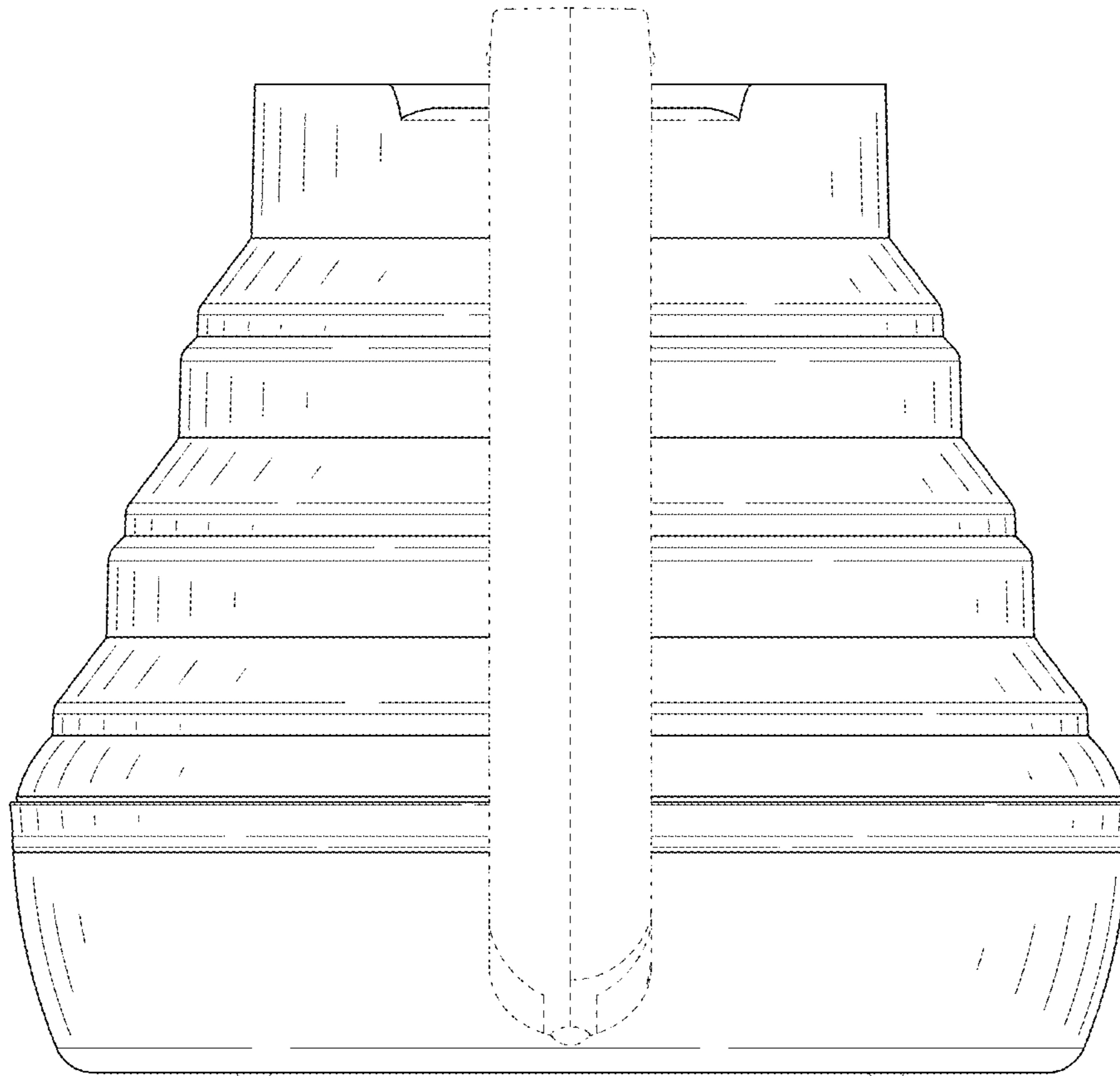


FIG. 6

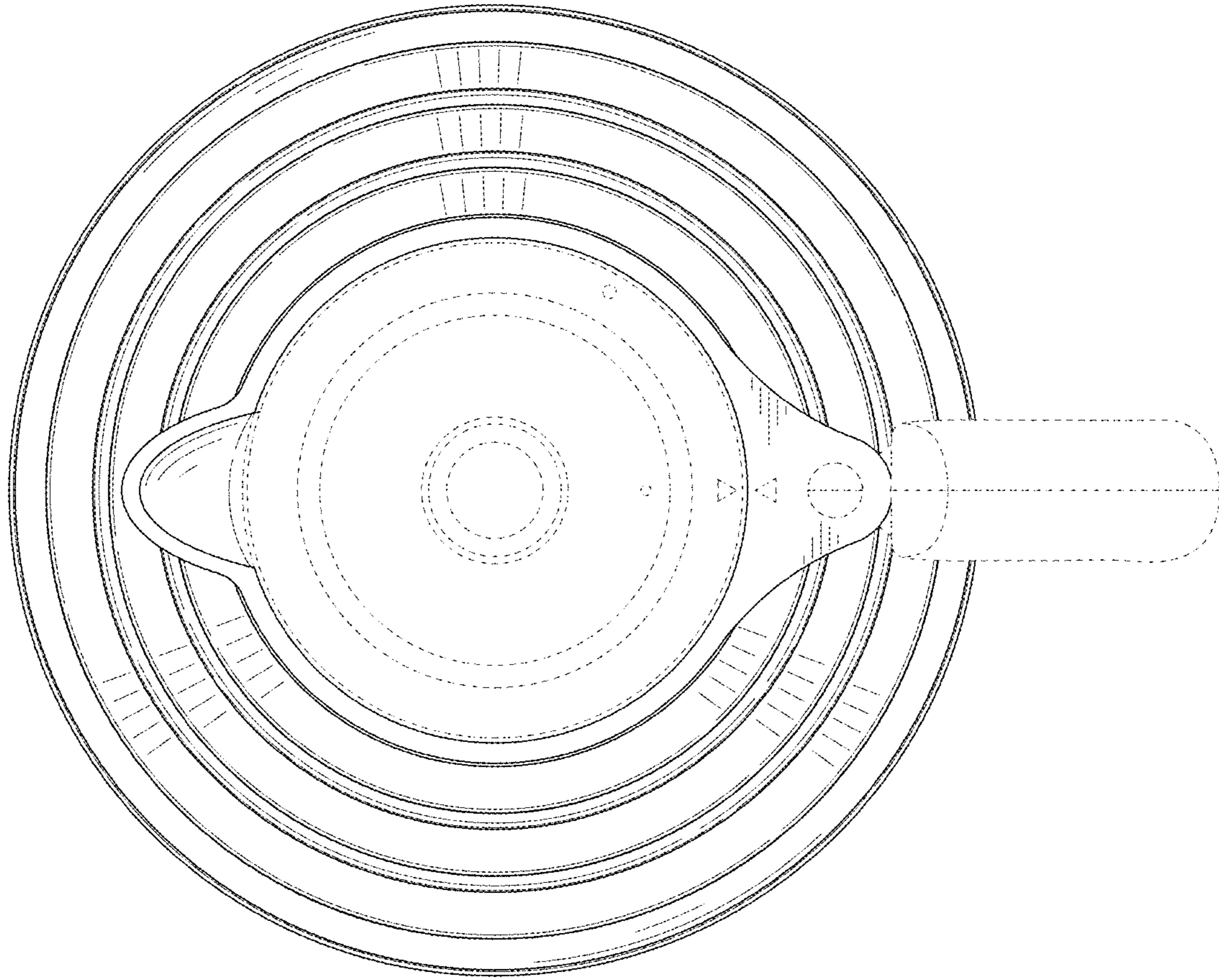


FIG. 7

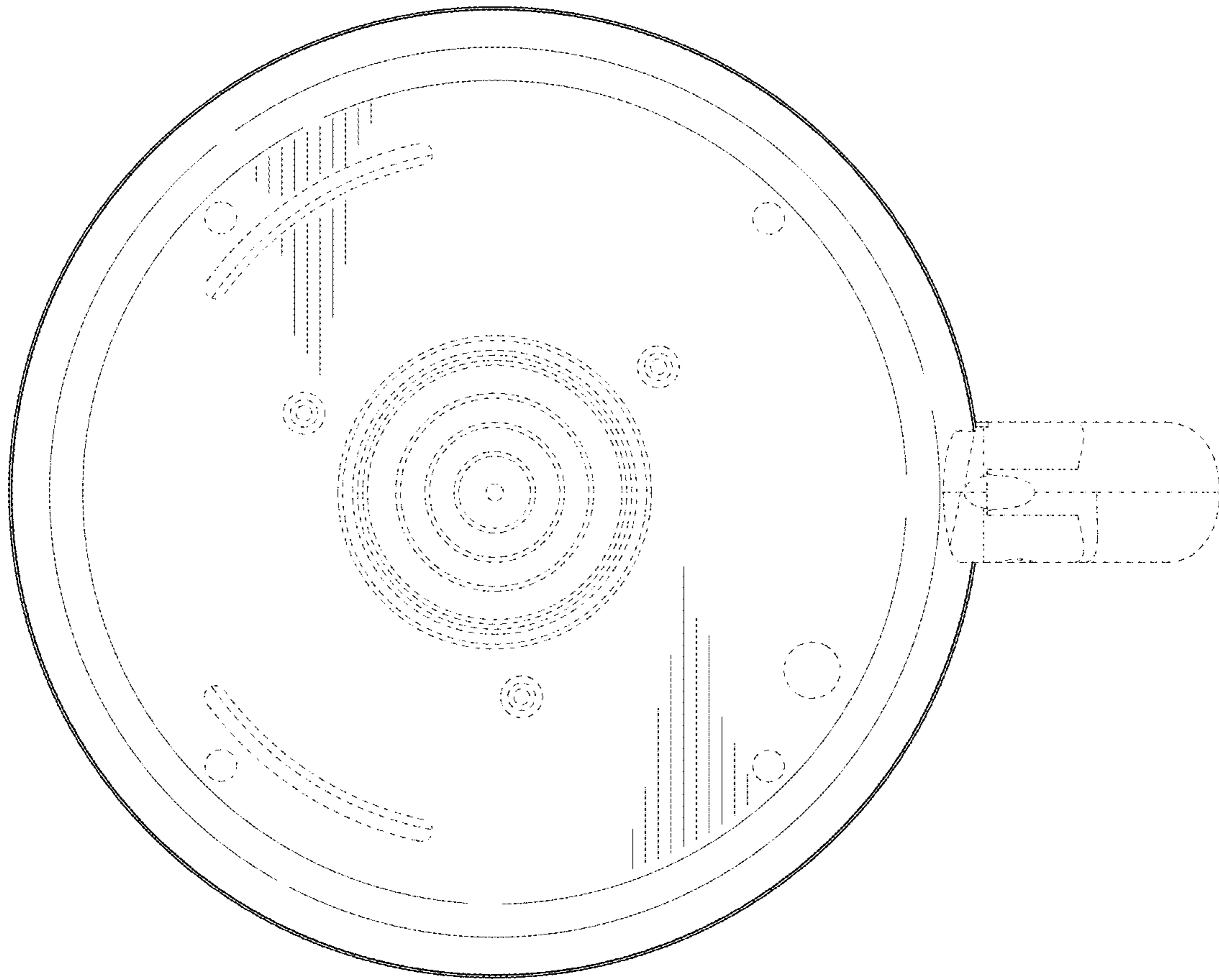


FIG. 8

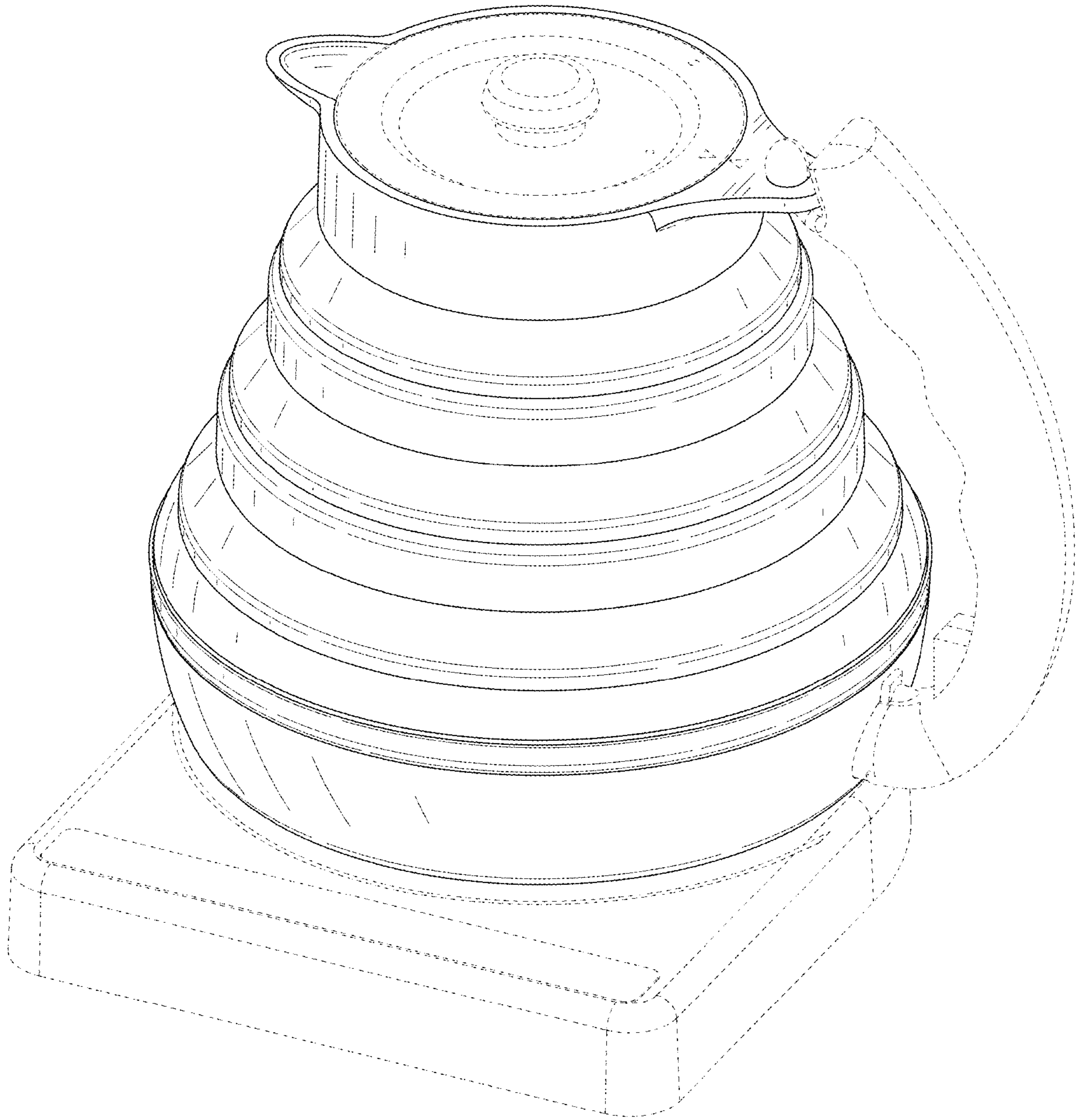


FIG. 9

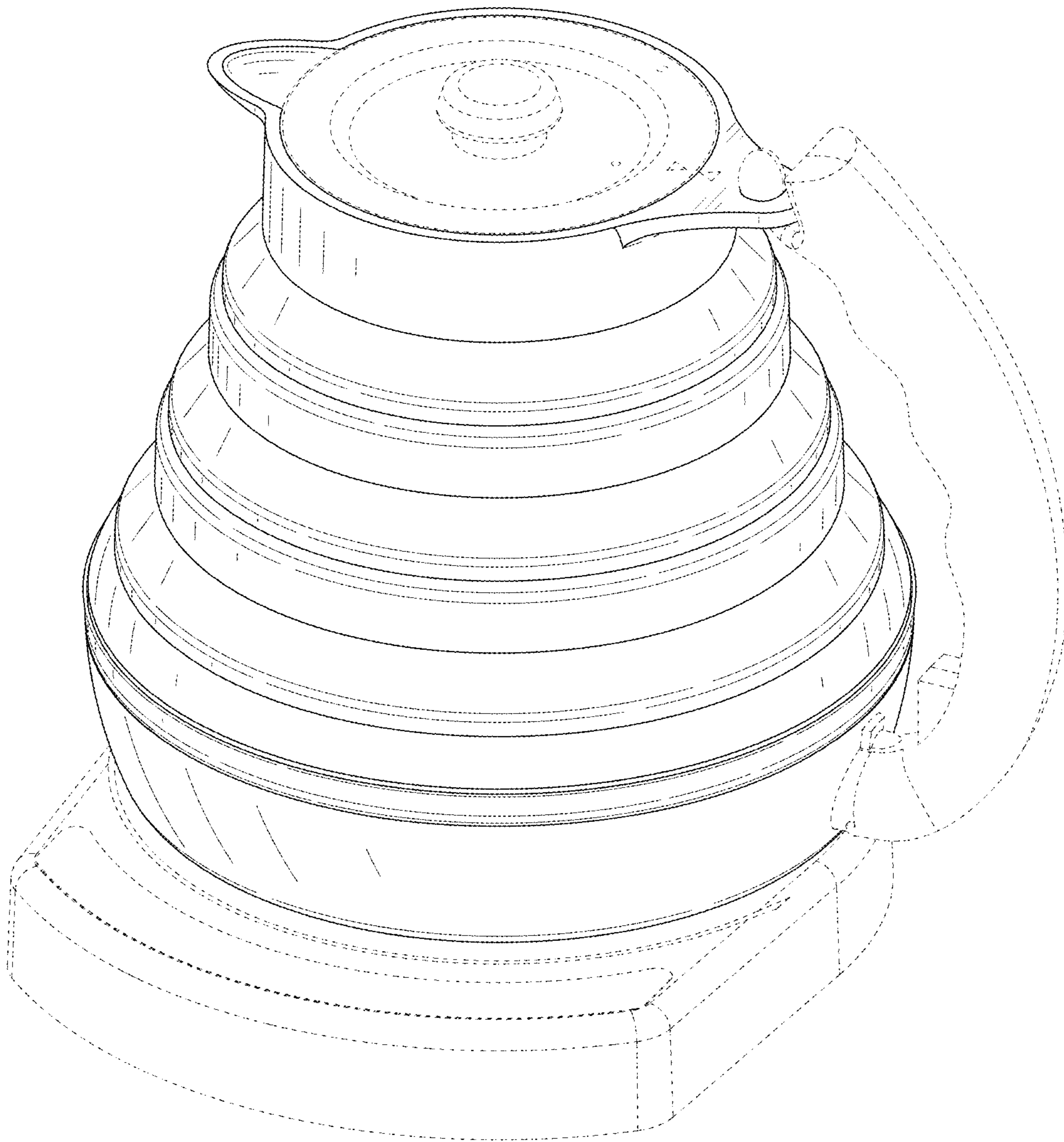


FIG. 10

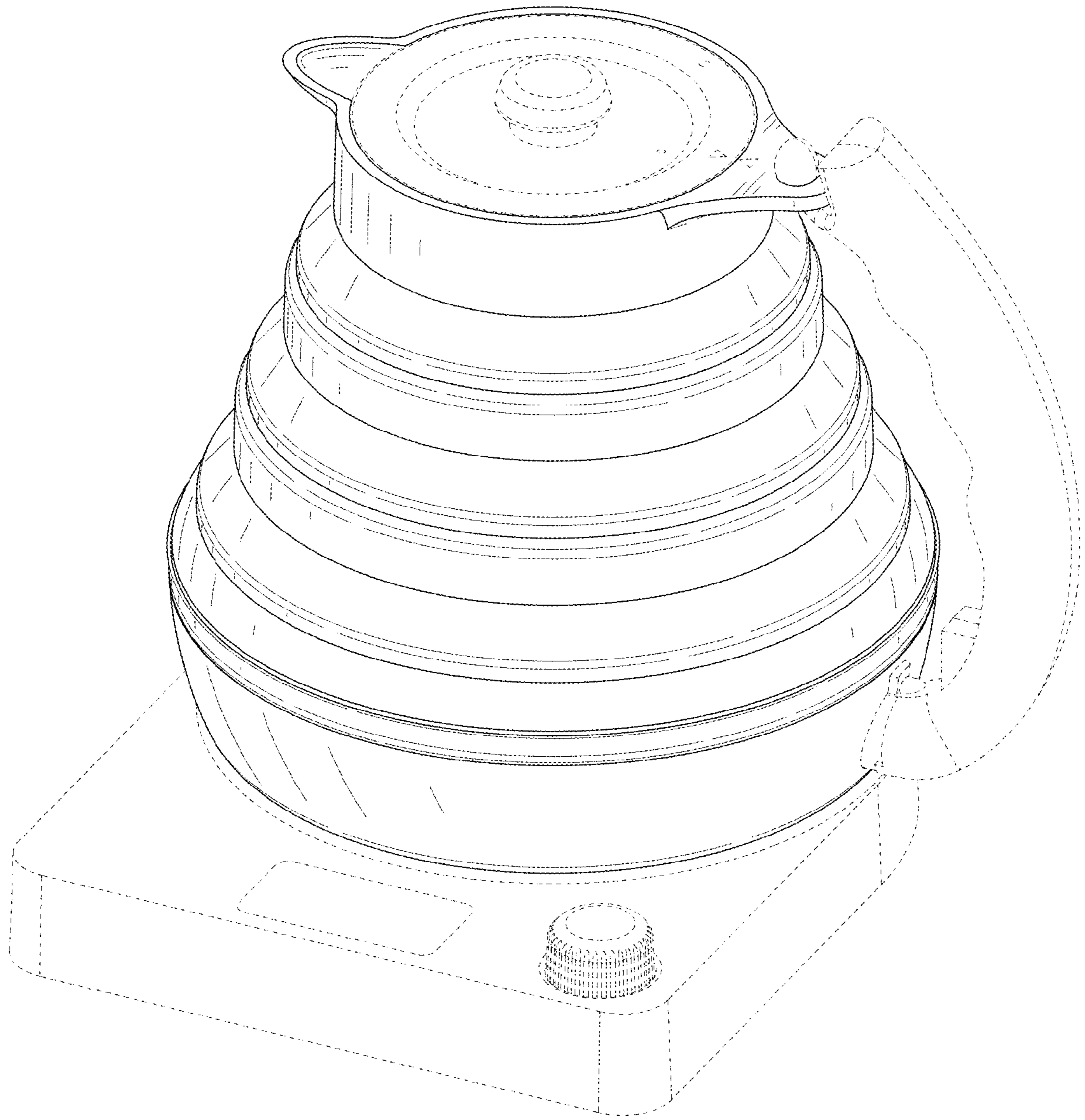


FIG. 11

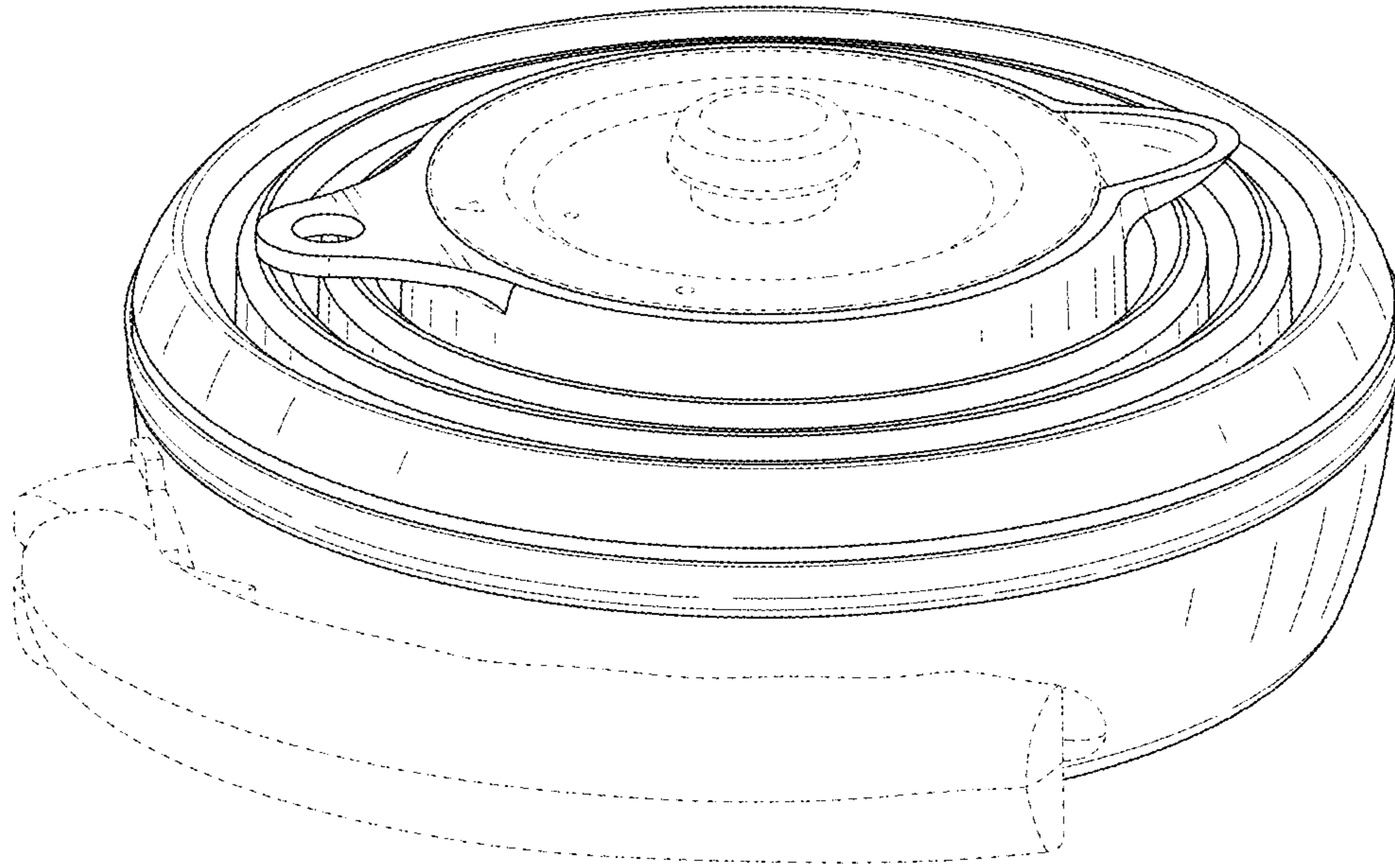


FIG. 12