



US00D984837S

(12) **United States Design Patent**
Chuah

(10) **Patent No.:** **US D984,837 S**

(45) **Date of Patent:** **** May 2, 2023**

(54) **CUSHION FOR BACKREST OF CHAIR**

(71) Applicant: **Khai Gan Chuah**, Austin, TX (US)

(72) Inventor: **Khai Gan Chuah**, Austin, TX (US)

(**) Term: **15 Years**

(21) Appl. No.: **29/753,762**

(22) Filed: **Oct. 1, 2020**

(51) **LOC (14) Cl.** **06-06**

(52) **U.S. Cl.**
USPC **D6/716.4; D6/601**

(58) **Field of Classification Search**
USPC D6/333, 339, 368, 374, 595, 596, 597,
D6/601, 604, 716.4
CPC .. A47C 7/40; A47C 7/42; A47C 7/425; A47C
7/68; A47C 16/005; A47D 1/103; A61G
5/122
See application file for complete search history.

(56) **References Cited**

U.S. PATENT DOCUMENTS

- 3,335,434 A * 8/1967 Gamon A47C 20/028
297/DIG. 2
- D225,197 S * 11/1972 Lockwood D6/358
- 4,068,889 A * 1/1978 Pierce A47C 7/42
297/352
- 4,079,993 A * 3/1978 Pierce A47C 7/42
297/352
- D248,601 S * 7/1978 Pierce D6/374
- D249,217 S * 9/1978 Pierce D6/716.4
- D327,175 S * 6/1992 Mariol D6/333
- D346,926 S * 5/1994 Sullivan D6/601
- D356,689 S * 3/1995 Mariol D6/333
- D368,609 S * 4/1996 Roberts 297/352
- D427,833 S * 7/2000 Robinson A47C 5/005
D6/601
- D441,587 S * 5/2001 Cameron D6/601
- D455,571 S * 4/2002 Van De Riet D6/374
- 6,648,416 B2 * 11/2003 O'Connor B60N 2/2851
5/636

- 7,346,948 B1 * 3/2008 Swezey A47C 5/005
5/653
- D780,498 S * 3/2017 Chuah D6/716.4
- D793,769 S * 8/2017 Nacey A47C 20/028
D6/601
- D891,139 S * 7/2020 Levy A47C 7/42
D6/374
- D958,554 S * 7/2022 Matheson A47C 7/42
D6/601

(Continued)

FOREIGN PATENT DOCUMENTS

- KR 301030642.0000 * 11/2019
- KR 301139905.0000 * 12/2021

OTHER PUBLICATIONS

WeeSprout Wooden High Chair, Amazon Product Page. Date First Available: Dec. 16, 2019, Date Accessed: Feb. 14, 2023. Availale on the Internet URL: <https://www.amazon.in/WeeSprout-Toddlers-Adjustable-Footrest-Removable/dp/B07TVVZBDY> (Year: 2019).*

Primary Examiner — S. Bryan Reinholdt, Jr.
Assistant Examiner — Julia S Folkart

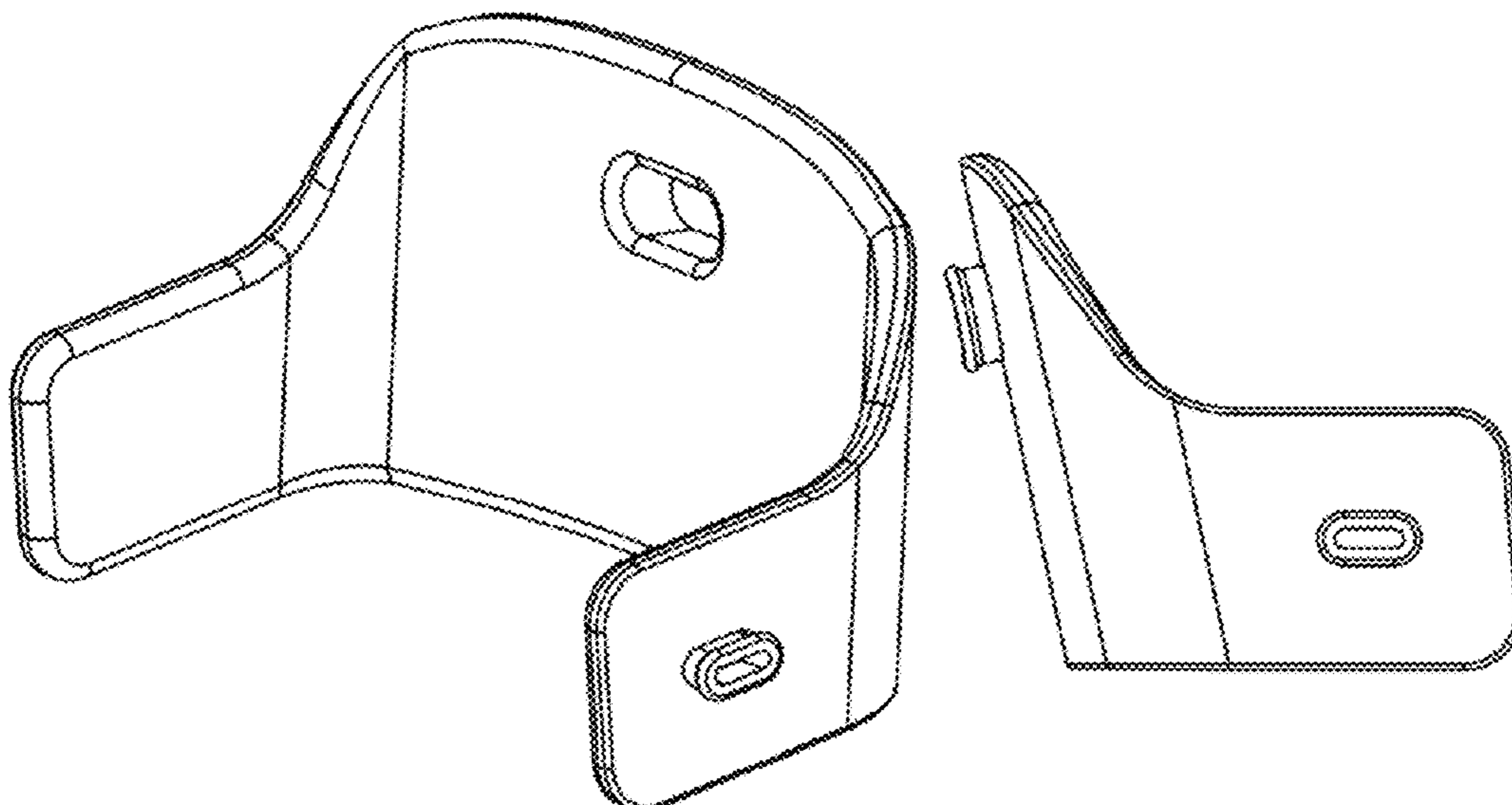
(57) **CLAIM**

The ornamental design for a cushion for backrest of chair, as shown.

DESCRIPTION

FIG. 1 is front view of the cushion for backrest of chair showing my new design;
FIG. 2 is a rear view thereof;
FIG. 3 is a right perspective view thereof;
FIG. 4 is a left perspective view thereof;
FIG. 5 is a right view thereof;
FIG. 6 is a left view thereof;
FIG. 7 is a top view thereof; and,
FIG. 8 is a bottom view thereof.

1 Claim, 8 Drawing Sheets



(56)

References Cited

U.S. PATENT DOCUMENTS

2001/0054837 A1 * 12/2001 O'Connor B60N 2/2872
297/397

* cited by examiner

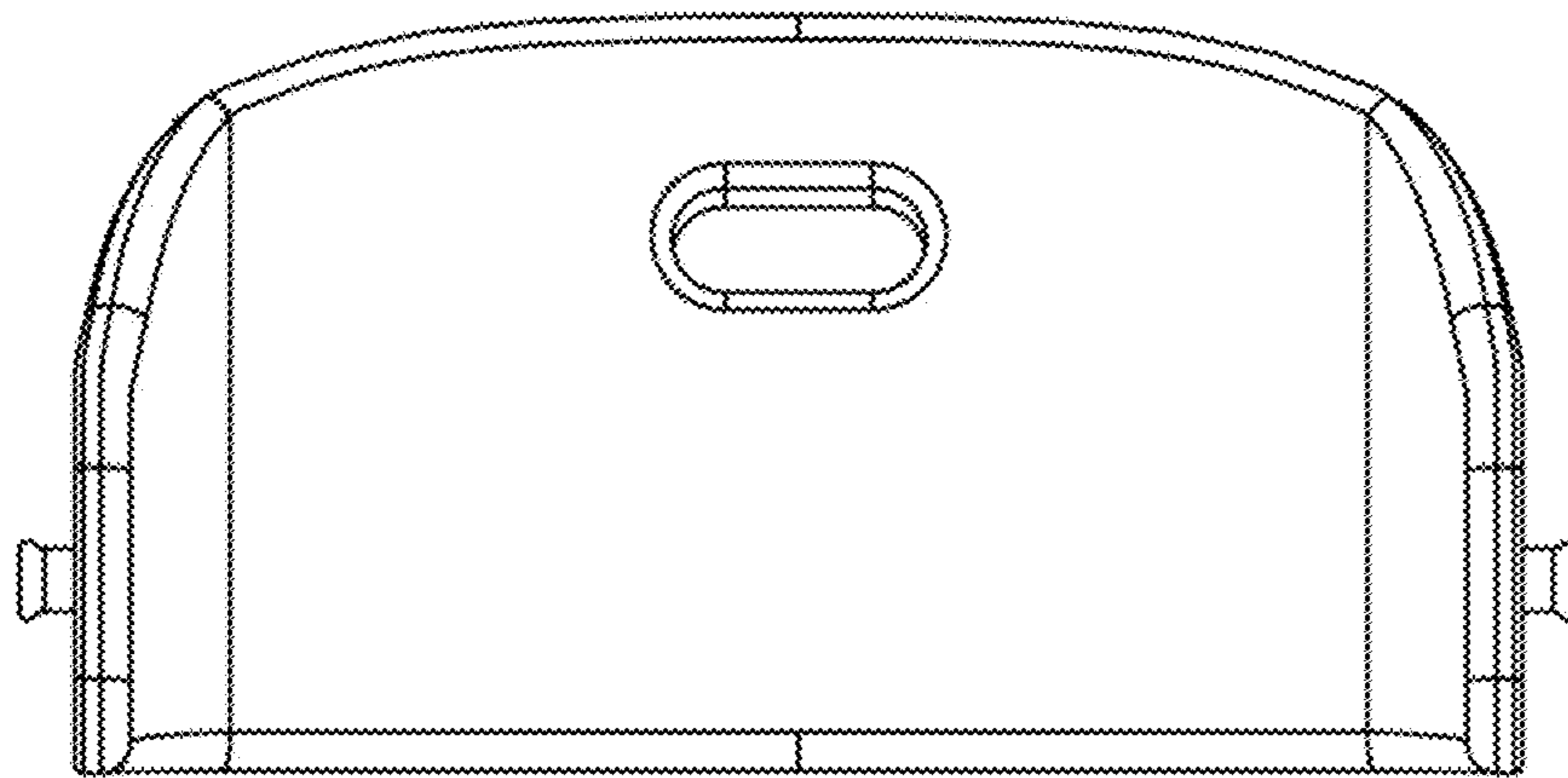


FIG. 1

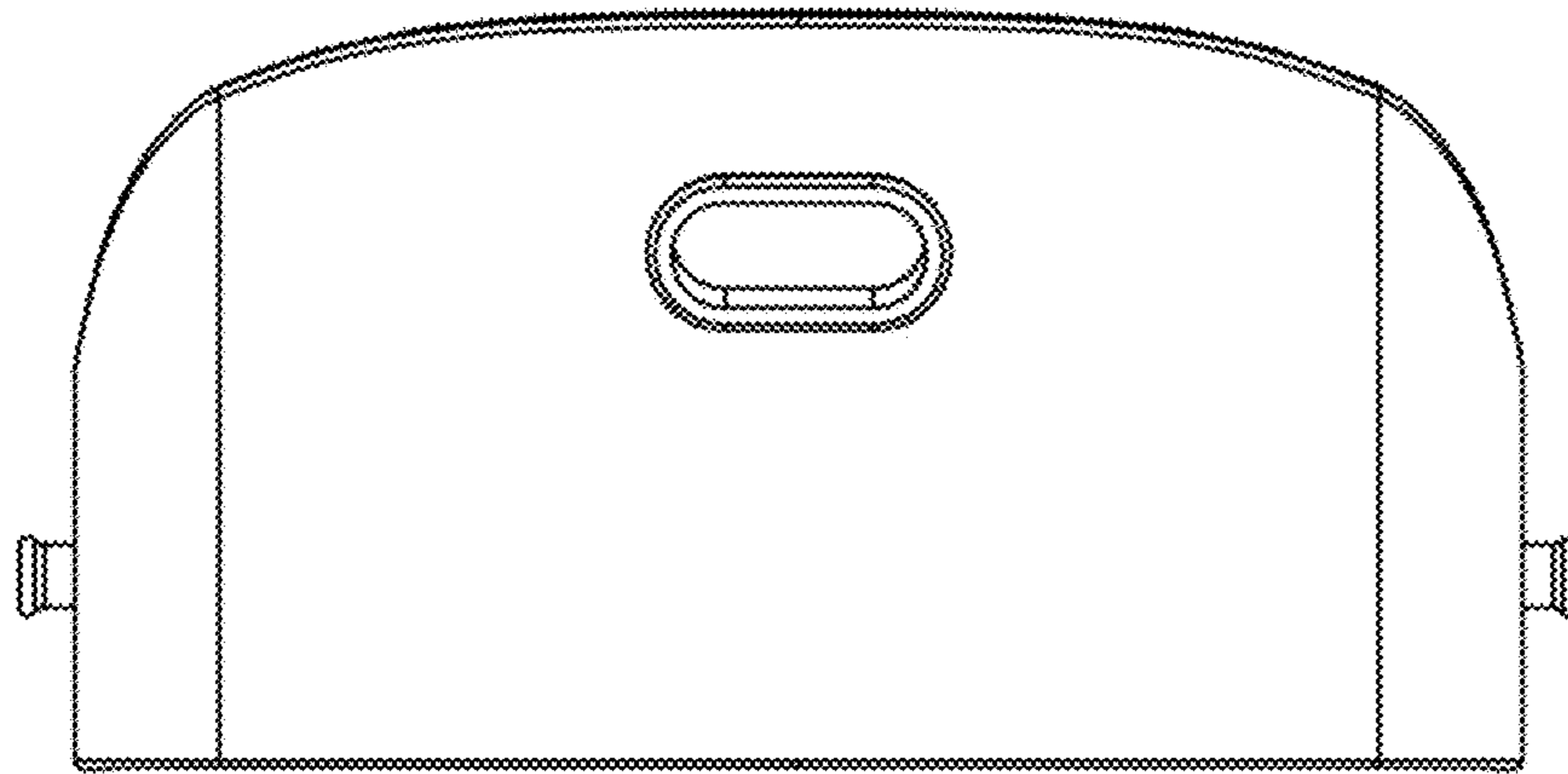


FIG. 2

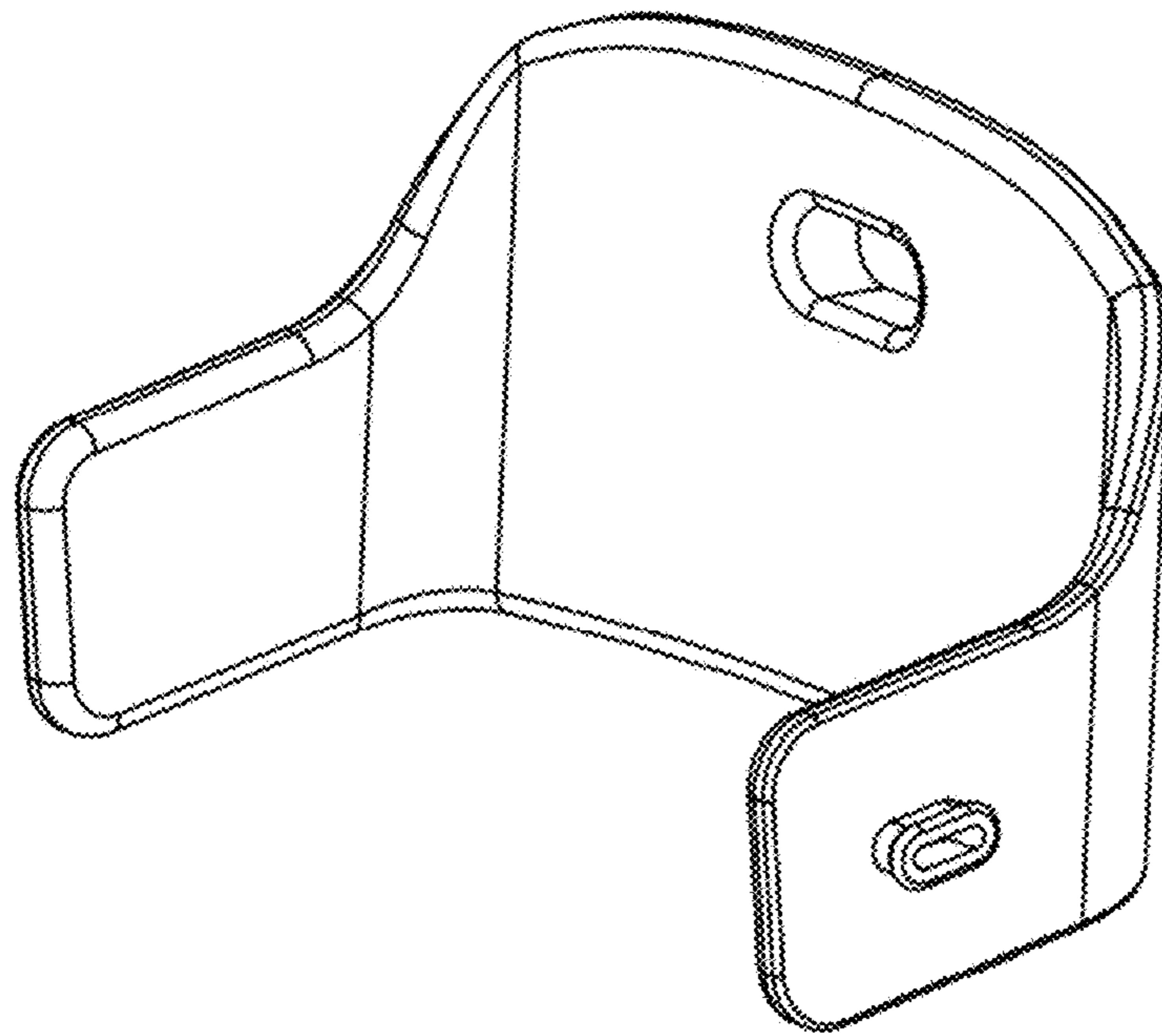


FIG. 3

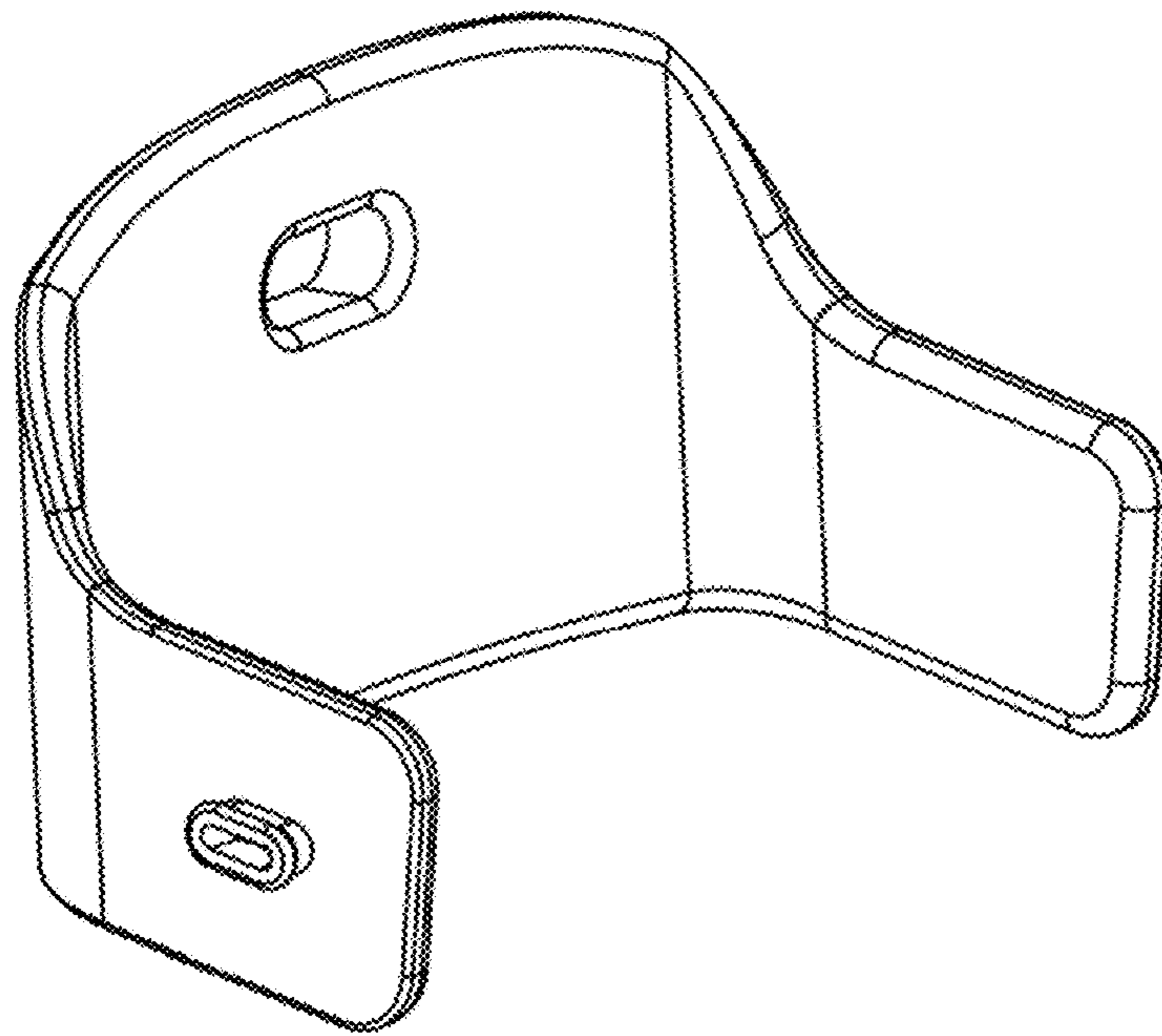


FIG. 4

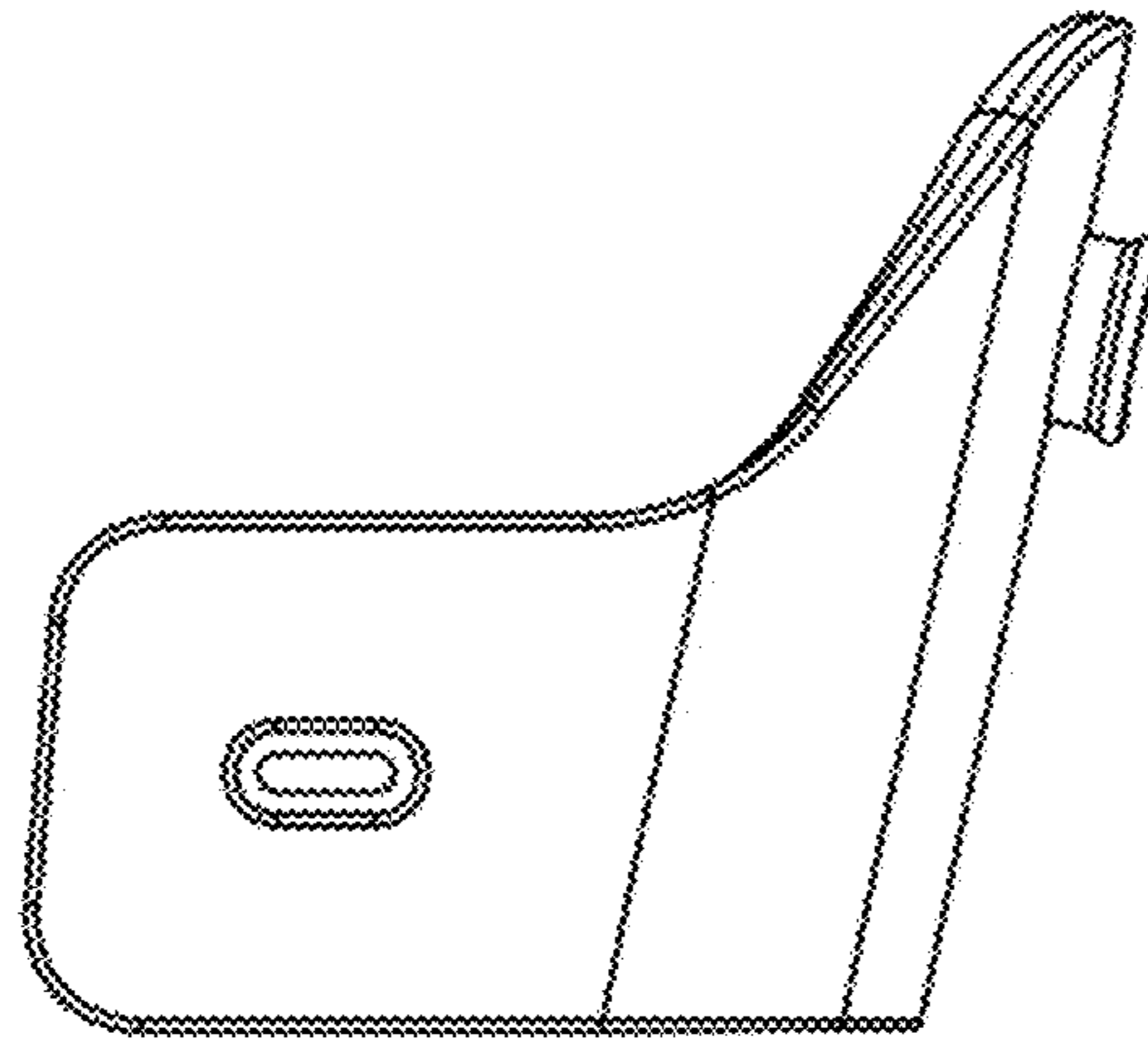


FIG. 5

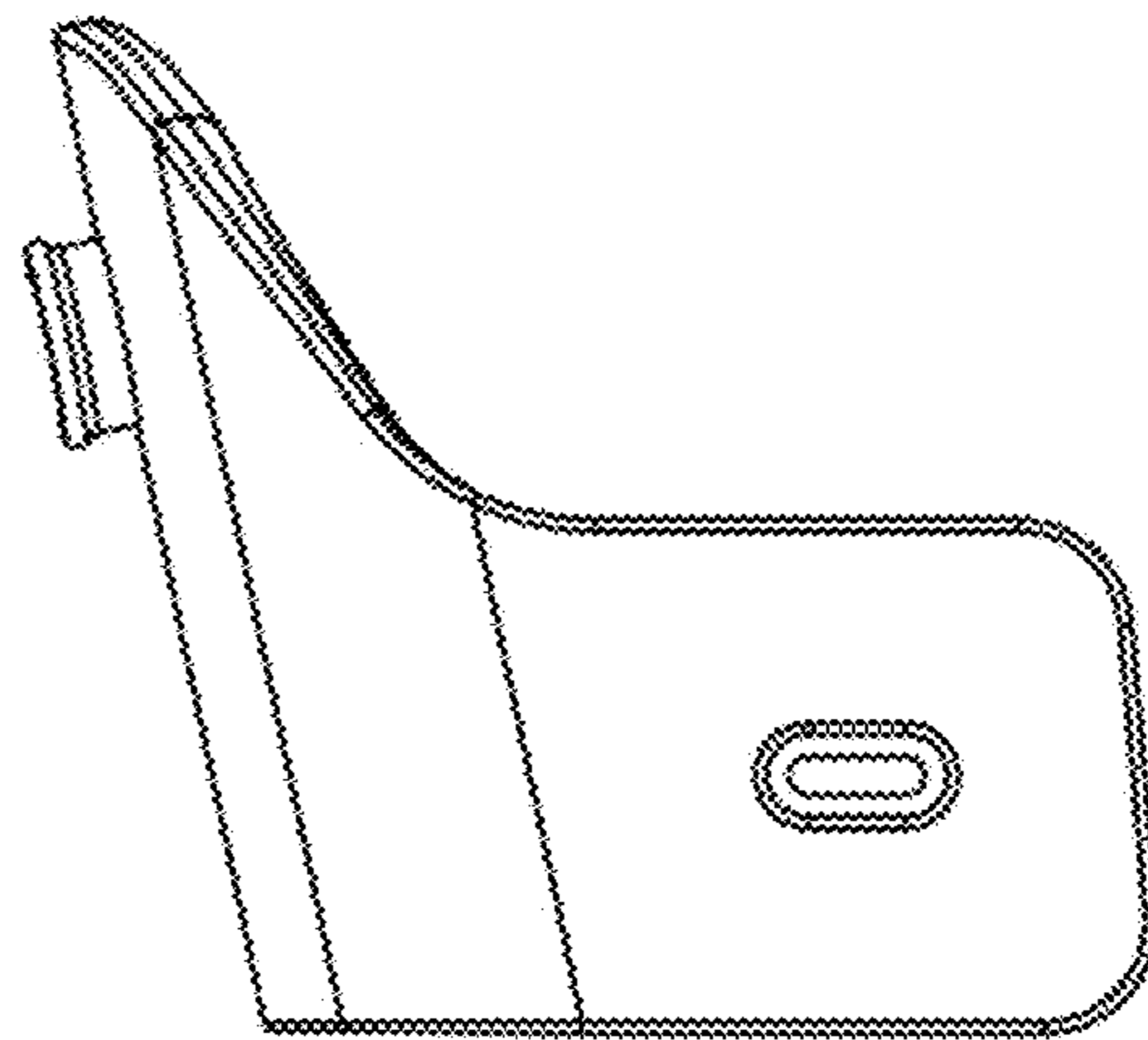


FIG. 6

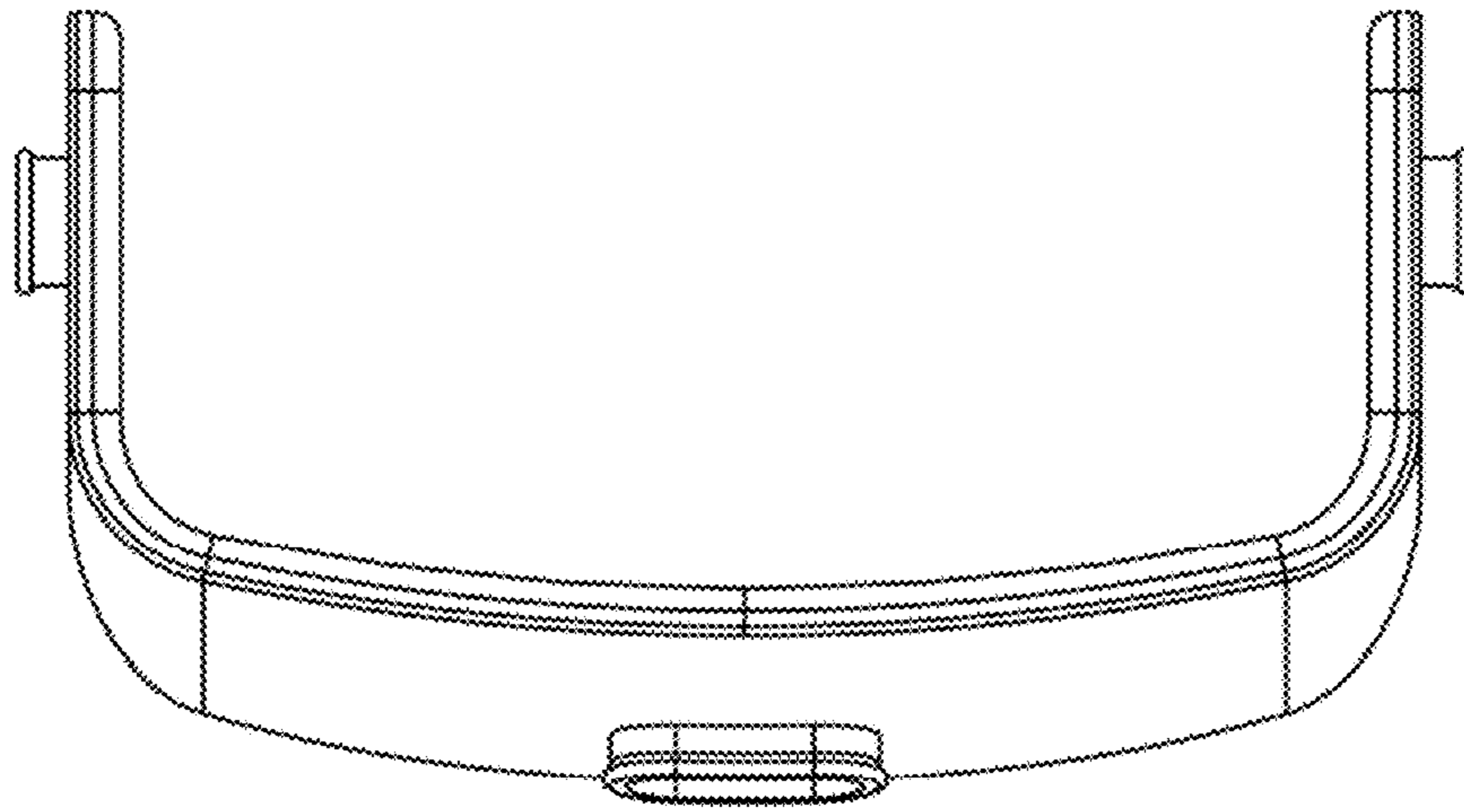


FIG. 7

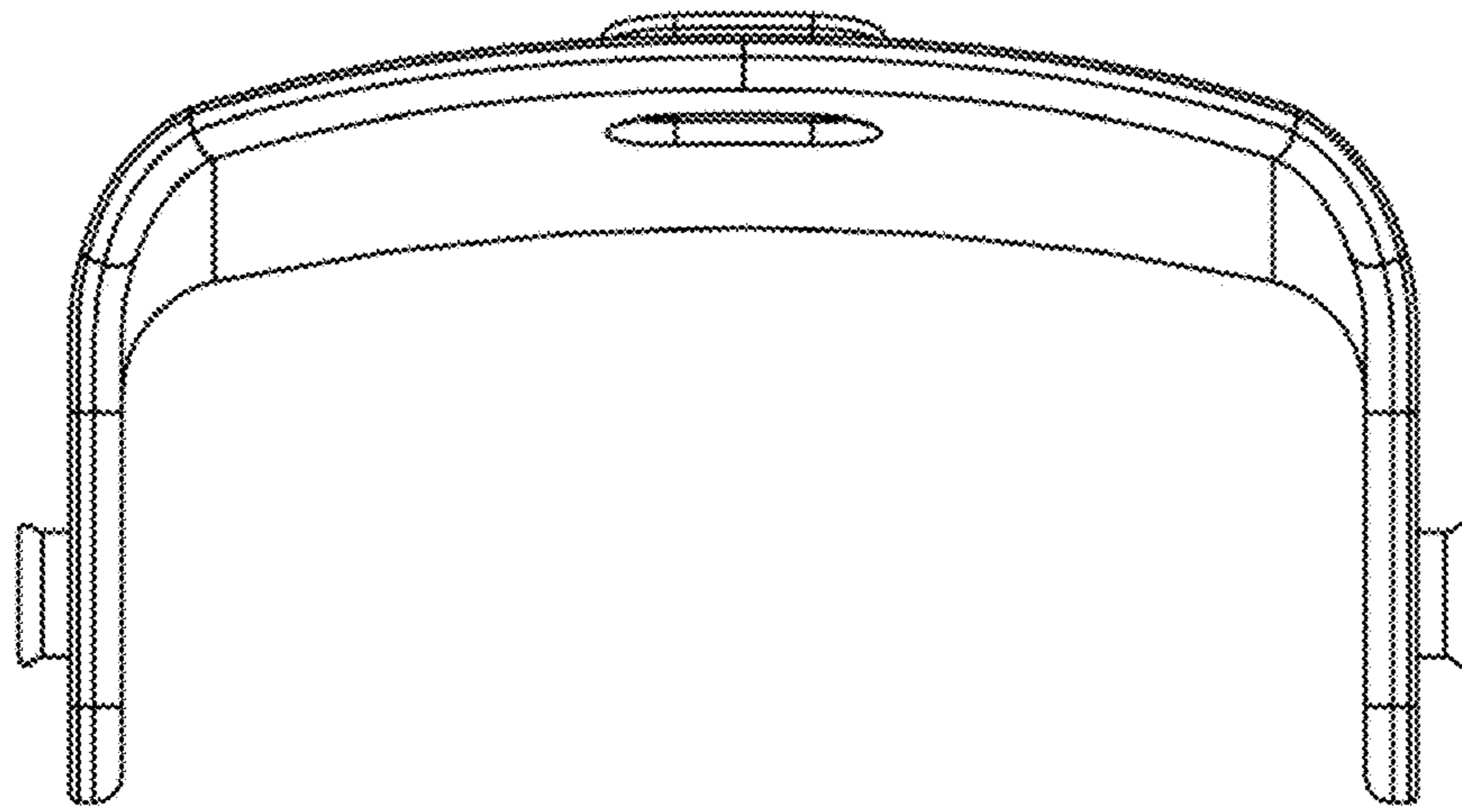


FIG. 8