



US00D984834S

(12) **United States Design Patent**
Sabounjian et al.

(10) **Patent No.:** **US D984,834 S**

(45) **Date of Patent:** **** May 2, 2023**

(54) **WIRE SHELF FOR CANS**

(71) Applicants: **Sam C. Sabounjian**, Irvine, CA (US);
Azad Sabounjian, Irvine, CA (US)

(72) Inventors: **Sam C. Sabounjian**, Irvine, CA (US);
Azad Sabounjian, Irvine, CA (US)

(**) Term: **15 Years**

(21) Appl. No.: **29/699,485**

(22) Filed: **Jul. 25, 2019**

(51) **LOC (14) Cl.** **06-06**

(52) **U.S. Cl.**
USPC **D6/514**

(58) **Field of Classification Search**

USPC D6/517, 675.2, 520, 705.6, 511, 553,
D6/566, 567, 574, 512-515, 675,
D6/675.3-675.6; D7/701-708; D8/349,
D8/363, 366, 373, 380, 381; 211/87.01,
211/100, 105.1, 105.2, 181.1, 13.1, 32,
211/41.3, 41.4, 86.01, 90.01, 90.03,
(Continued)

(56) **References Cited**

U.S. PATENT DOCUMENTS

2,289,751 A * 7/1942 Brenholt A47F 1/121
211/59.2
2,964,154 A * 12/1960 Erickson A47F 1/12
193/35 R

(Continued)

OTHER PUBLICATIONS

Smart Design Premium 3 Tier Can Rack Organizer—Amazon, first available Mar. 31, 2016 <https://www.amazon.com/Smart-Design->

Premium-Organizer-Adjustable/dp/B01DO3G62K/ retrieved from the internet on Nov. 1, 2022.*

(Continued)

Primary Examiner — Mary Ann Calabrese

(74) *Attorney, Agent, or Firm* — Stetina Brunda Garred & Brucker

(57) **CLAIM**

The ornamental design for a wire shelf for cans, as shown and described.

DESCRIPTION

FIG. 1 is a perspective view of a wire shelf for cans according to a first embodiment showing all flat wire shelves;

FIG. 2 is a front view of the wire shelf for cans of FIG. 1; FIG. 3 is a back view of the wire shelf for cans of FIG. 1; FIG. 4 is a left side view of the wire shelf for cans of FIG. 1;

FIG. 5 is a right side view of the wire shelf for cans of FIG. 1;

FIG. 6 is a top view of the wire shelf for cans of FIG. 1; FIG. 7 is a bottom view of the wire shelf for cans of FIG. 1;

FIG. 8 is a perspective view of a wire shelf for cans according to a second embodiment showing all round wire shelves;

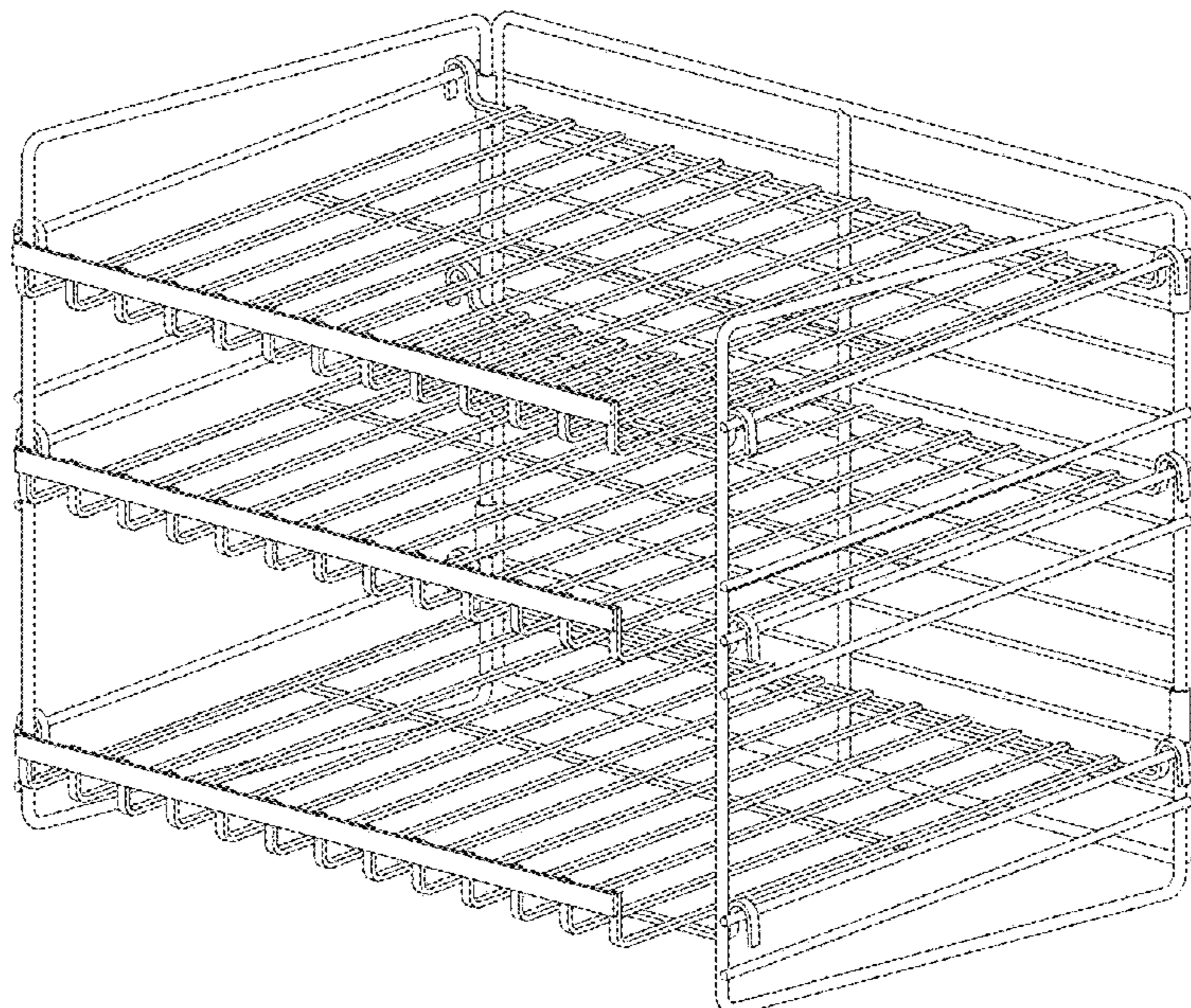
FIG. 9 is a front view of the wire shelf for cans of FIG. 8; FIG. 10 is a back view of the wire shelf for cans of FIG. 8; FIG. 11 is a left side view of the wire shelf for cans of FIG. 8;

FIG. 12 is a right side view of the wire shelf for cans of FIG. 8;

FIG. 13 is a top view of the wire shelf for cans of FIG. 8; and,

FIG. 14 is a bottom view of the wire shelf for cans of FIG. 8.

1 Claim, 14 Drawing Sheets



(58) **Field of Classification Search**

USPC 211/126.9, 134; D9/423, 737;
108/28-29; 248/235, 309.1
CPC .. A47F 1/087; A47F 1/04; A47F 1/121; A47F
1/12; A47F 1/00; A47B 73/002
See application file for complete search history.

(56) **References Cited**

U.S. PATENT DOCUMENTS

4,416,380 A * 11/1983 Flum A47F 1/121
211/181.1
D321,609 S * 11/1991 Dardashti D6/675.2
D354,181 S * 1/1995 Smith D6/515
D527,559 S * 9/2006 Remmers D6/566
D544,261 S * 6/2007 Nawrocki D6/705.6
10,051,979 B2 * 8/2018 Kuo A47B 73/006
D890,554 S * 7/2020 Nie A47F 1/121
D6/675.4
D928,874 S * 8/2021 Hu A47F 1/12
D19/92

OTHER PUBLICATIONS

Simple Trending Can Rack Organizer—Amazon, first available on
May 15, 2019 <https://www.amazon.com/Simple-Trending-Organizer-Stackable-Dispenser/dp/B07RWCQWN1> retrieved from the internet on Nov. 1, 2022.*

* cited by examiner

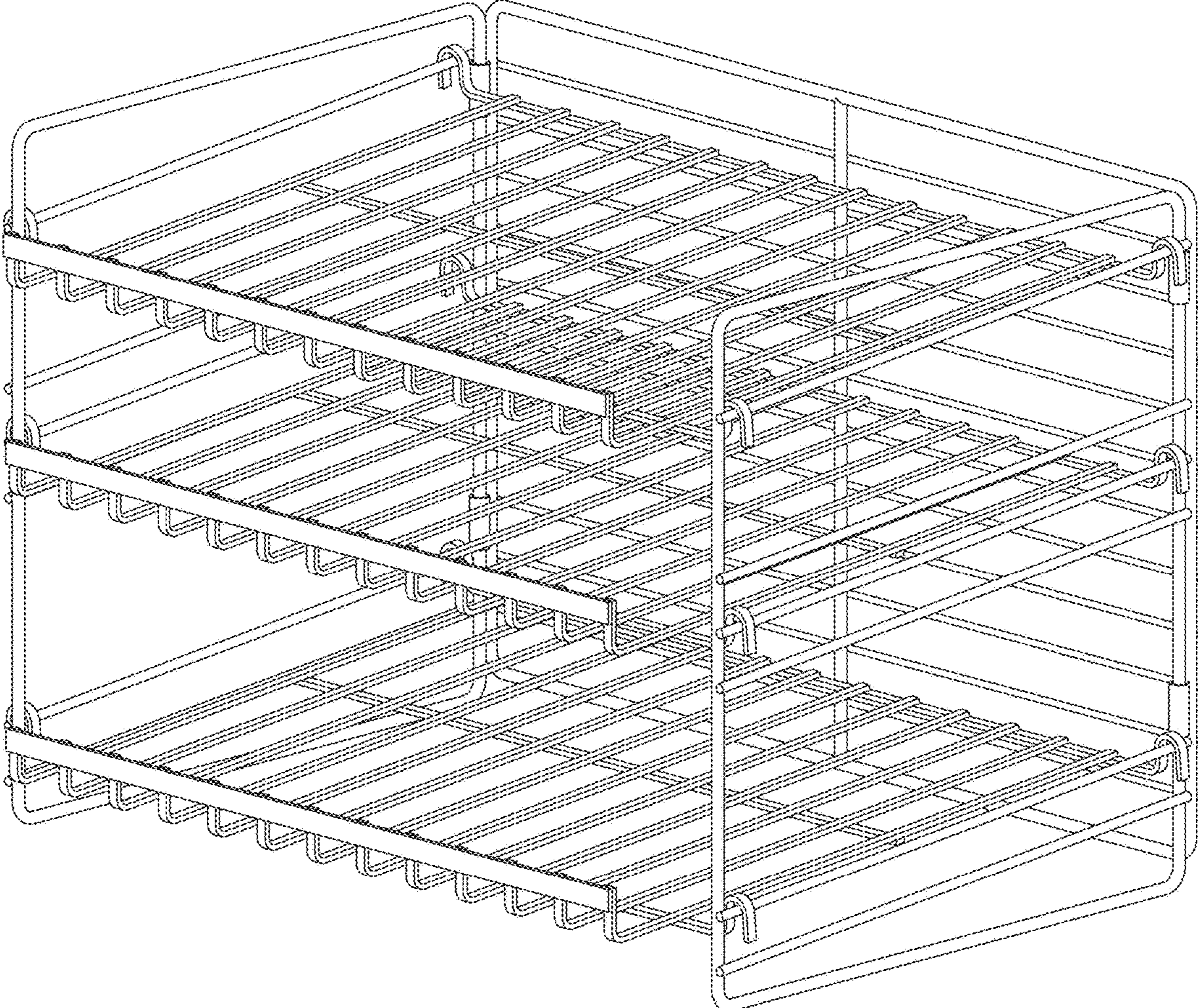


FIG. 1

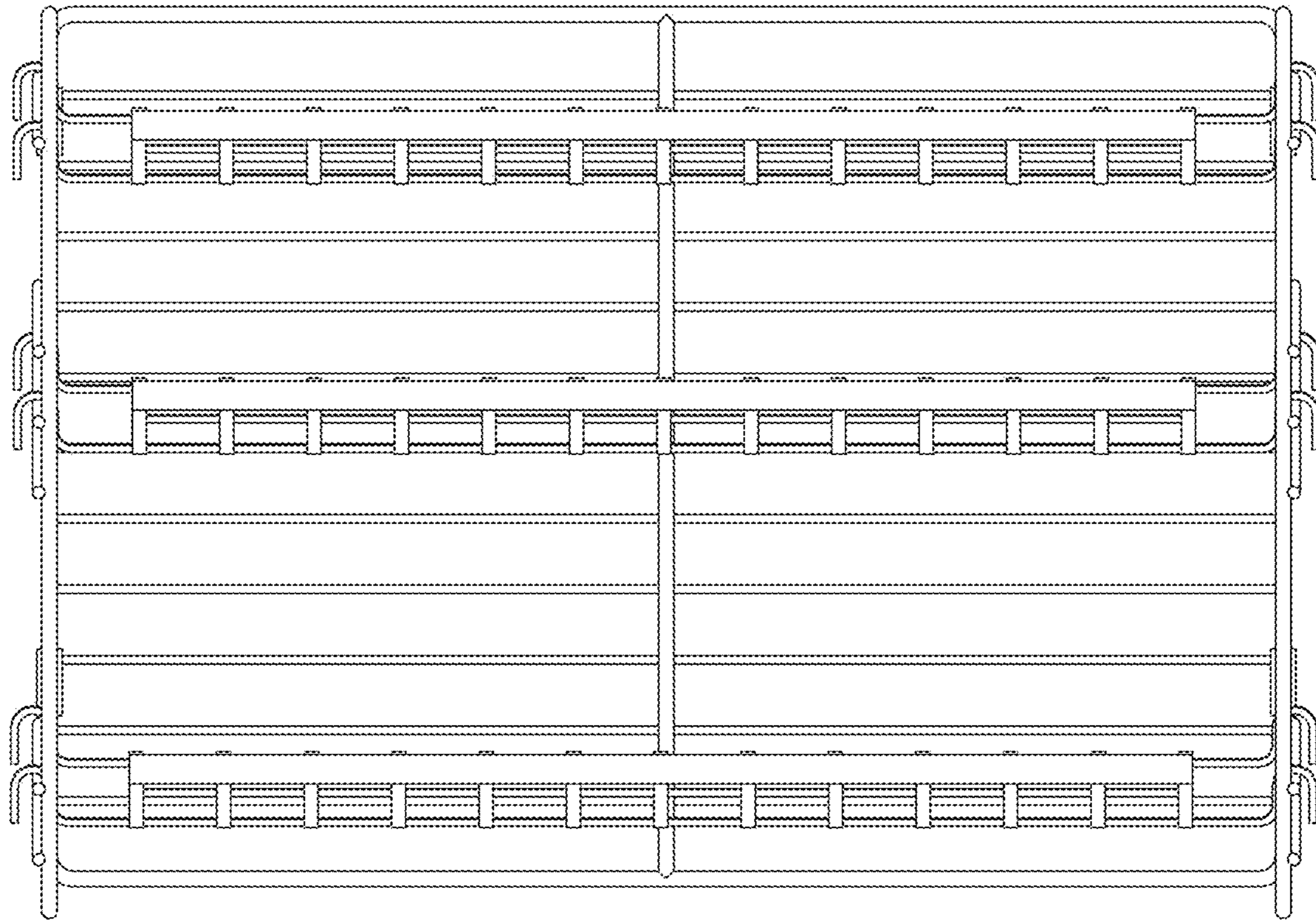


FIG. 2

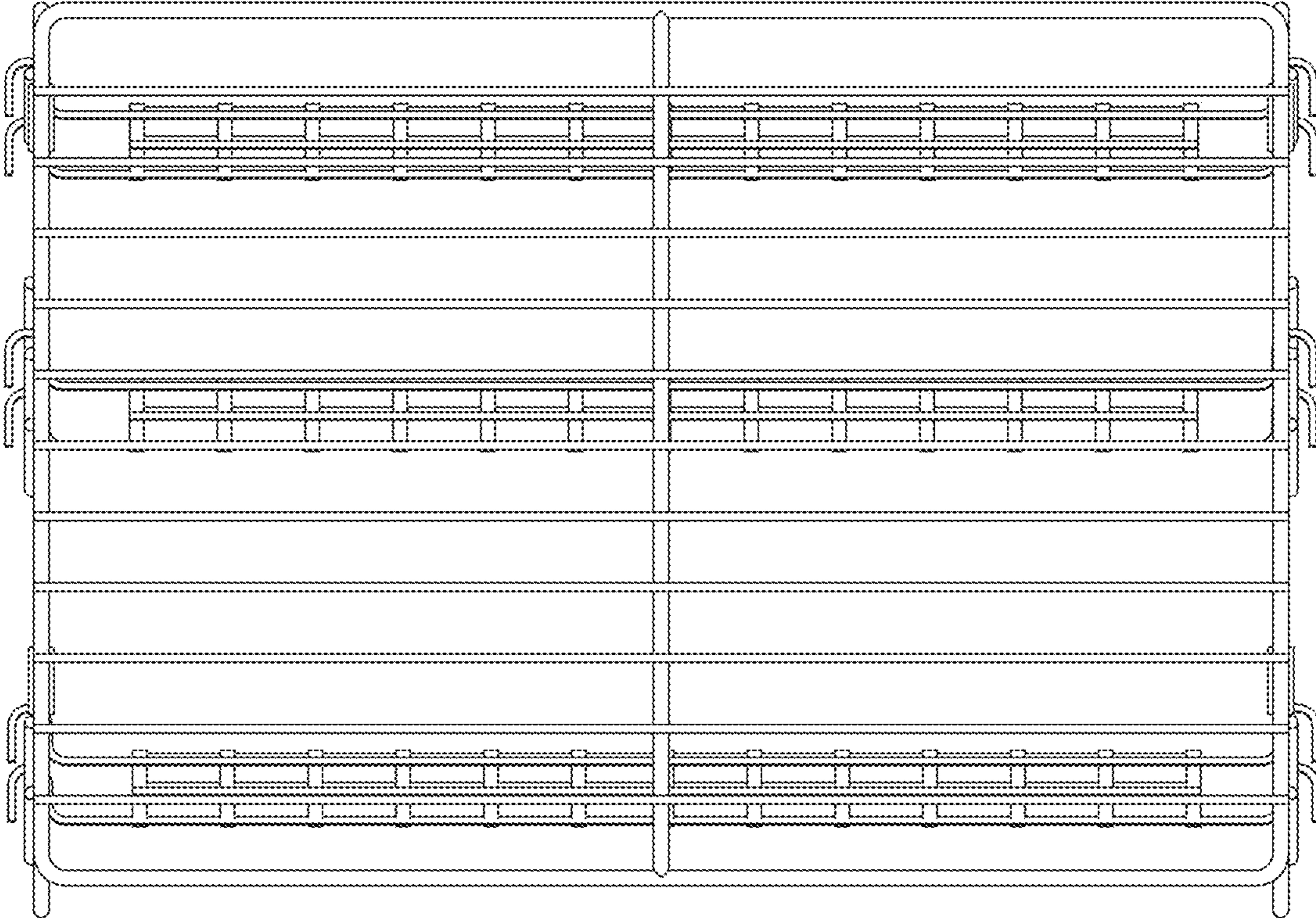


FIG. 3

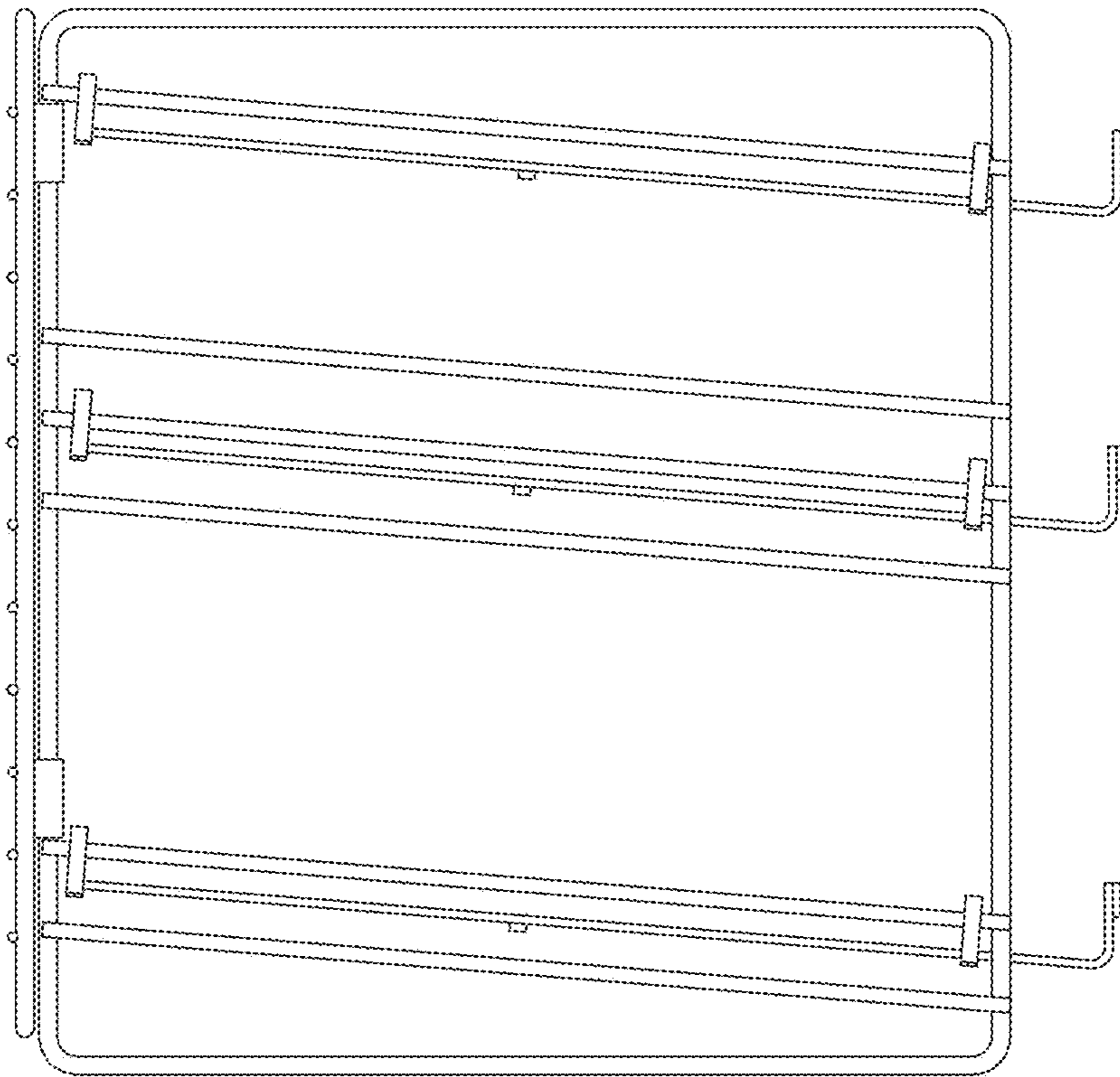


FIG. 4

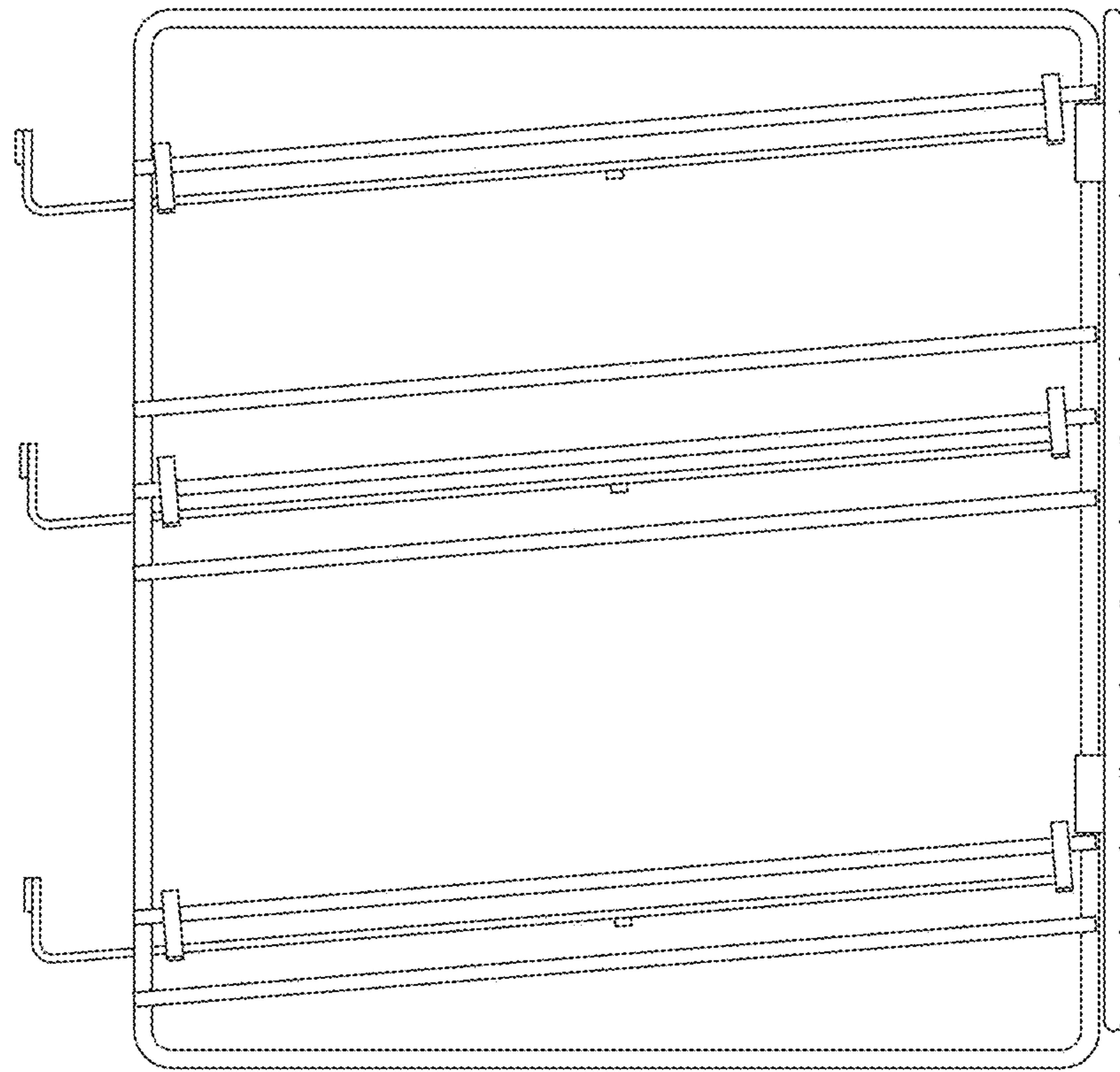


FIG. 5

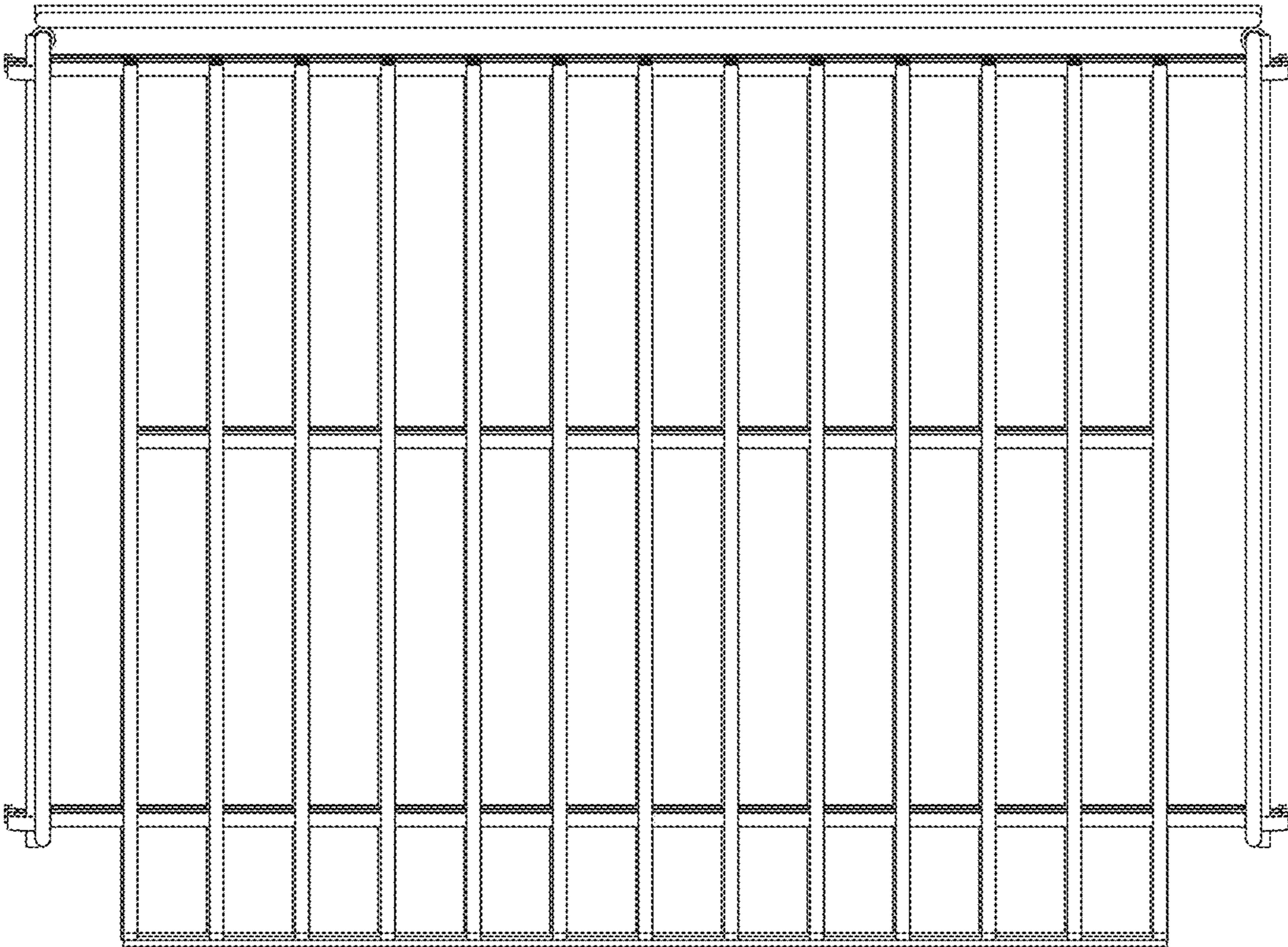


FIG. 6

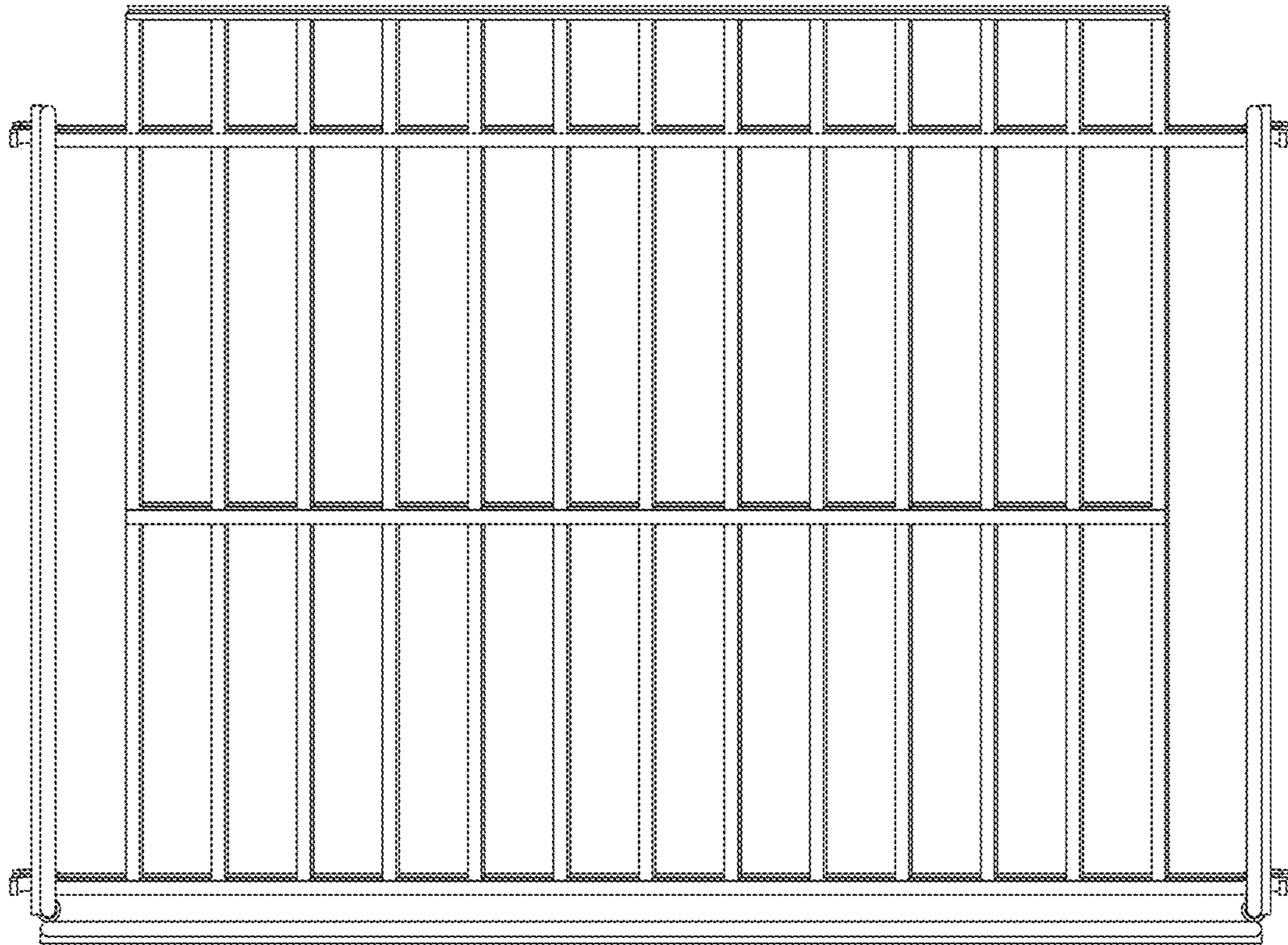


FIG. 7

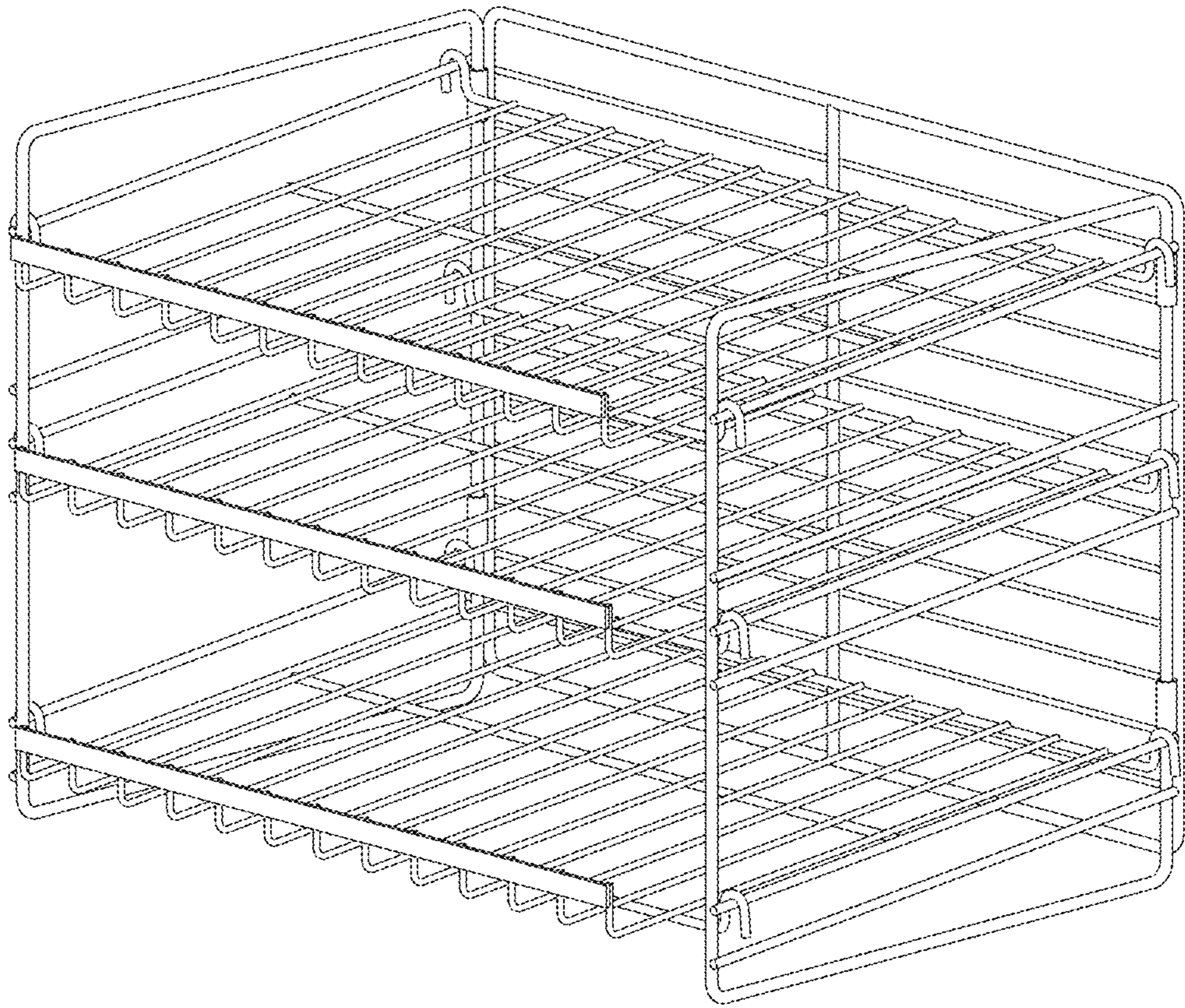


FIG. 8

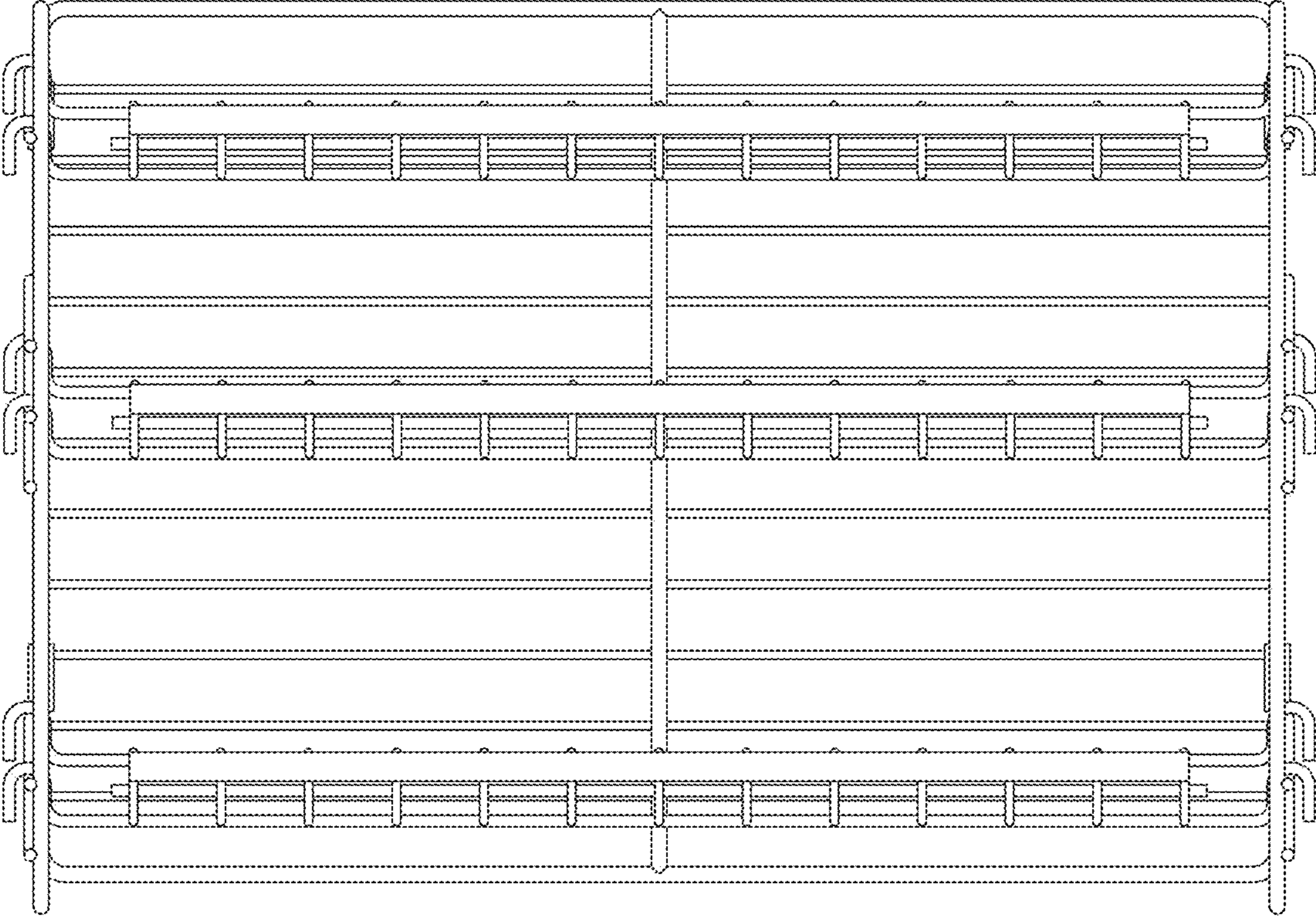


FIG. 9

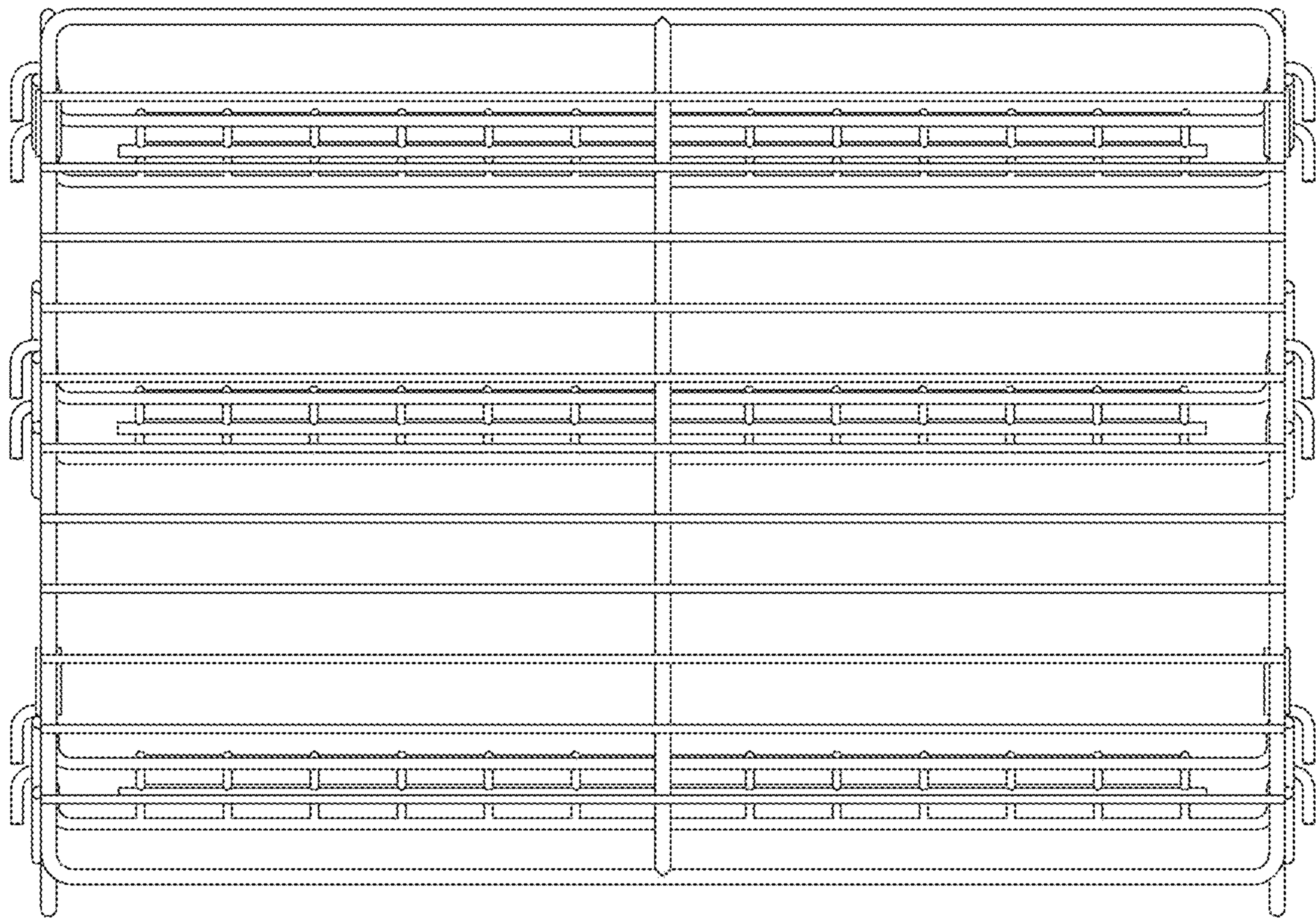


FIG. 10

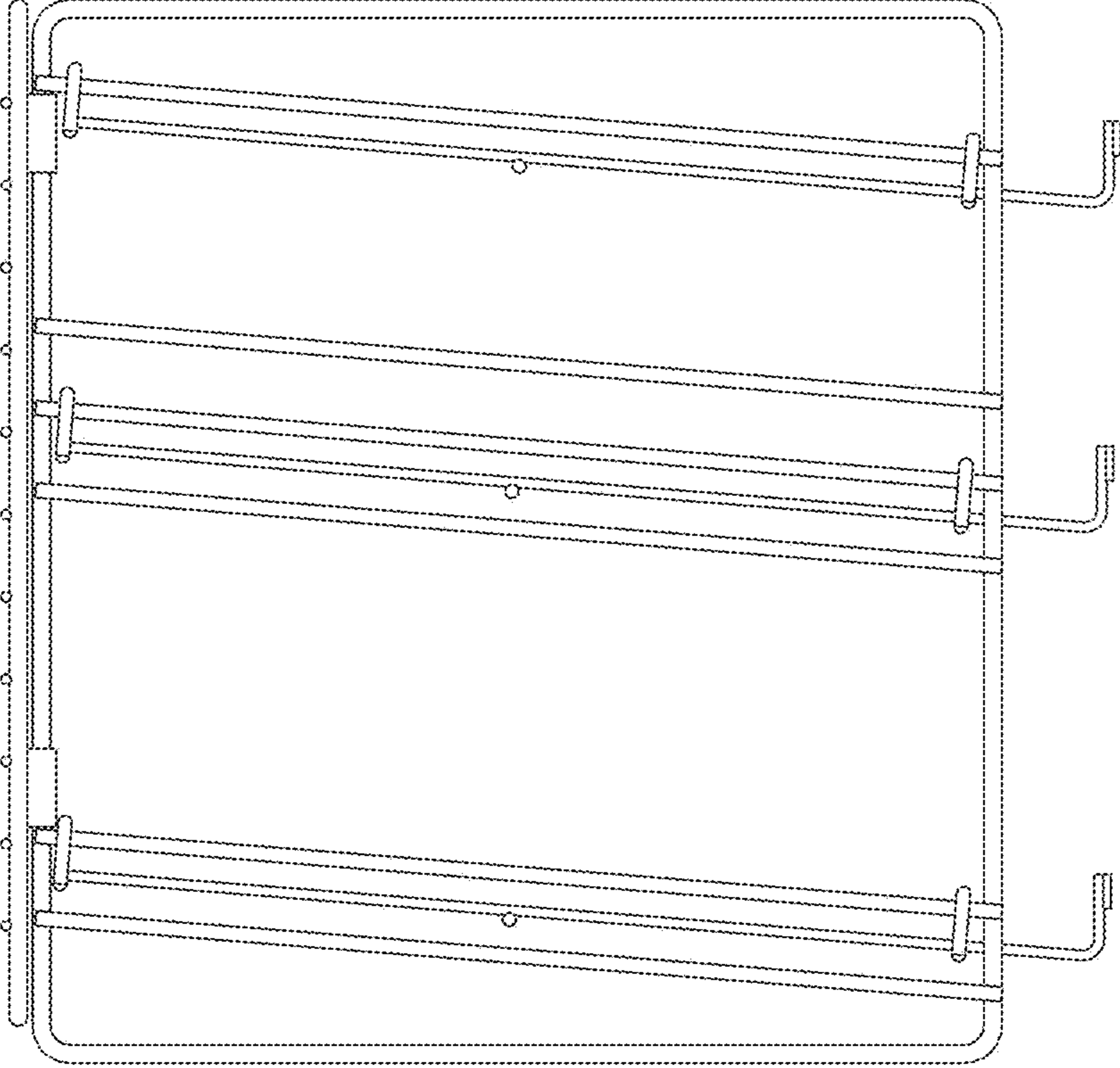


FIG. 11

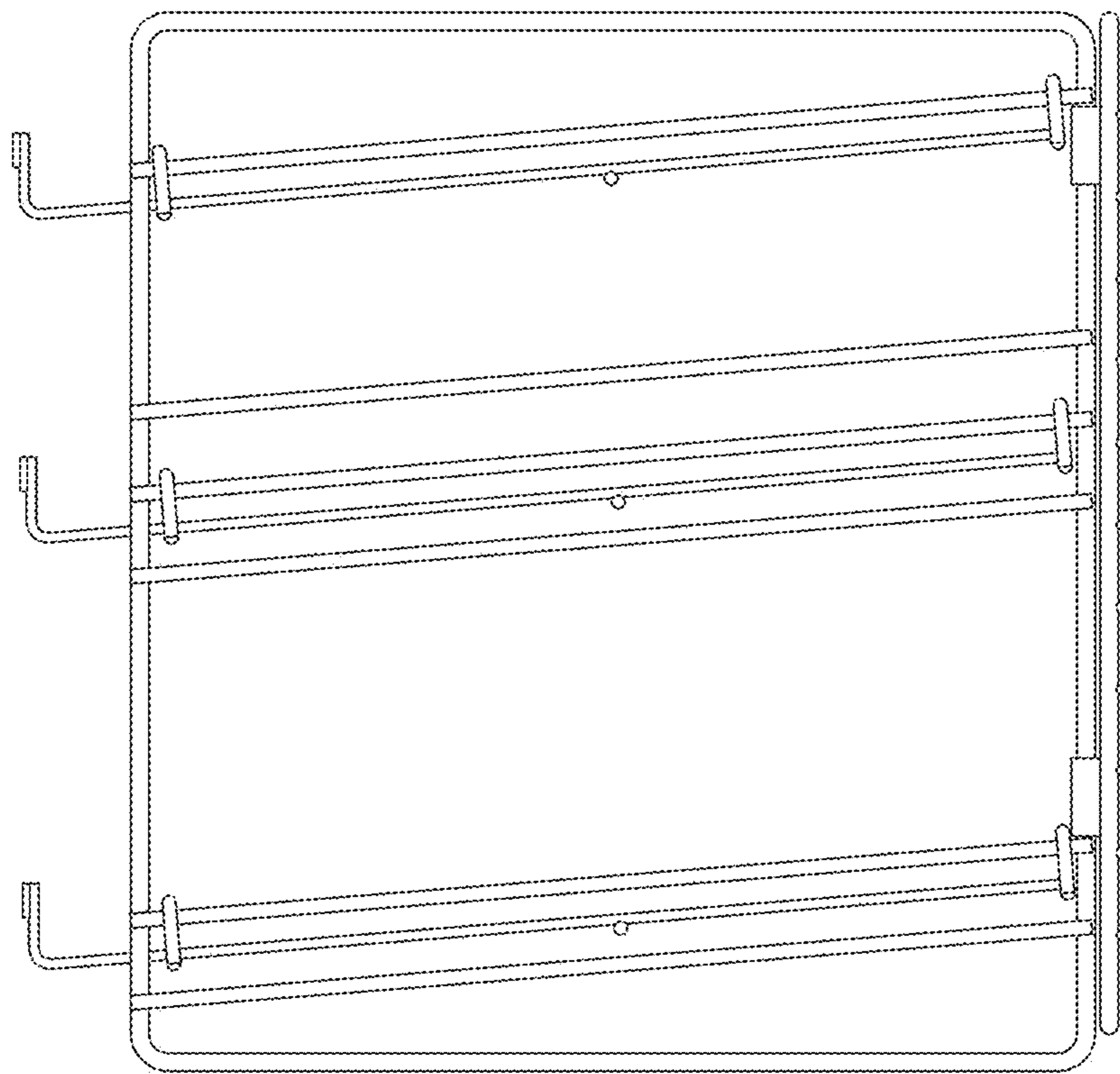


FIG. 12

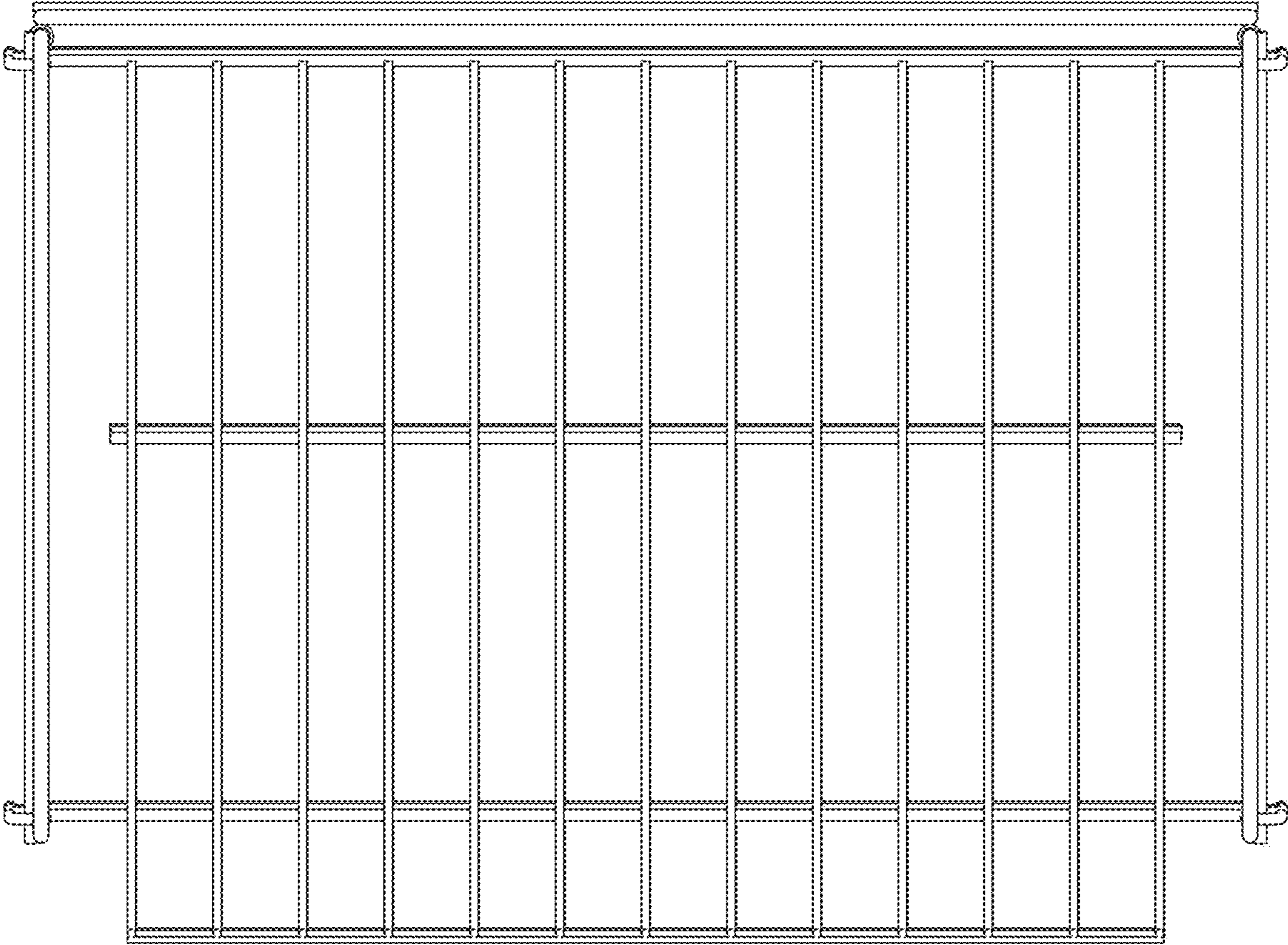


FIG. 13

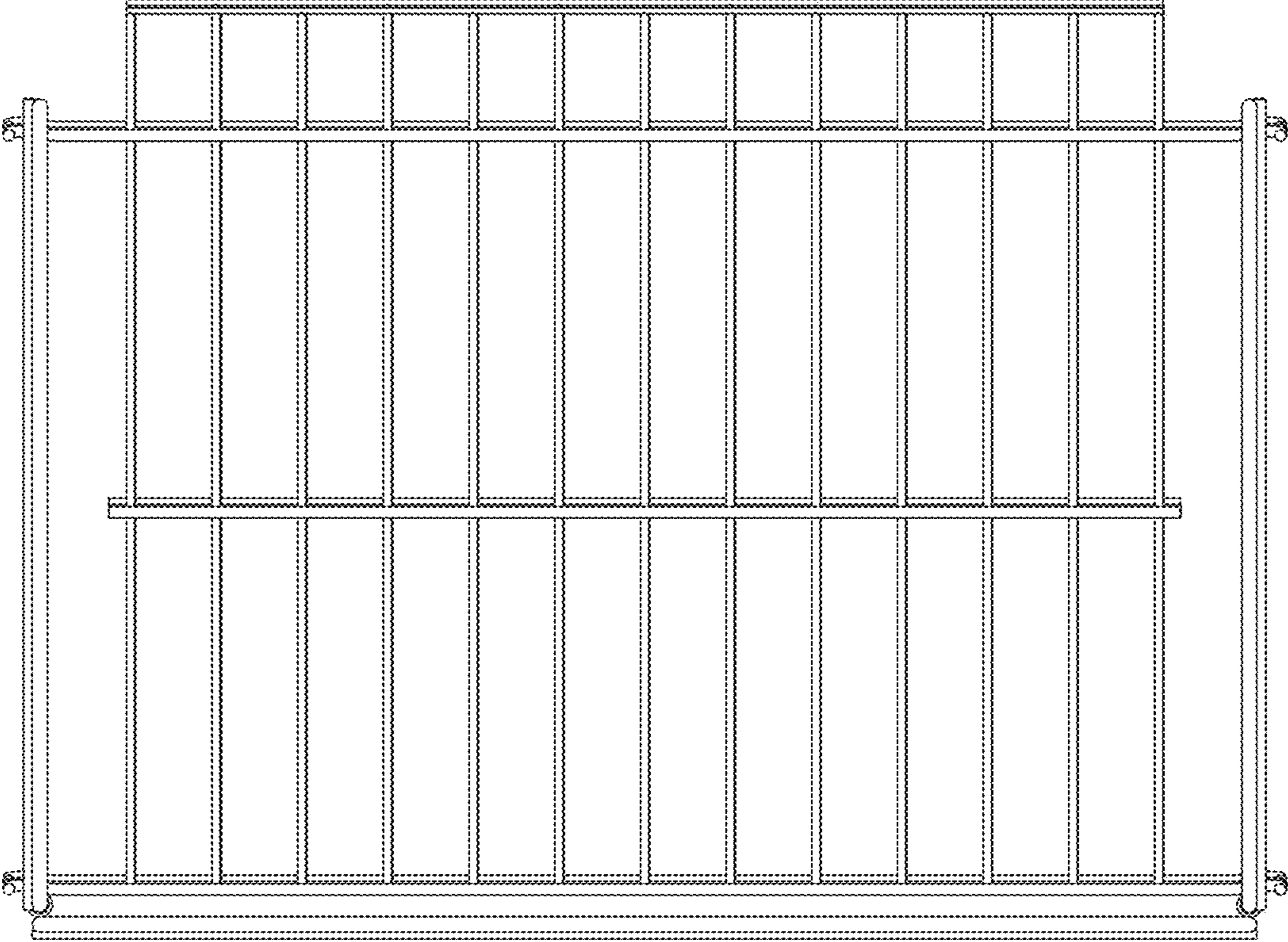


FIG. 14