



US00D984832S

(12) **United States Design Patent** (10) **Patent No.:** **US D984,832 S**
Ivie (45) **Date of Patent:** **** May 2, 2023**

(54) **FLOOR RACK** 5,048,699 A * 9/1991 Trevaskis A47F 5/0087
 211/128.1
 (71) Applicant: **Pure Fishing, Inc.**, Spirit Lake, IA D344,419 S * 2/1994 Stoddard D34/21
 (US) D393,554 S * 4/1998 Baluk D6/683.1
 D422,164 S * 4/2000 Ray D6/675.3
 (72) Inventor: **Cameron Ivie**, Irmo, SC (US) 6,997,340 B1 * 2/2006 Stefanik B65D 11/24
 211/126.15
 (73) Assignee: **Pure Fishing, Inc.**, Spirit Lake, IA D530,541 S * 10/2006 Raile D6/675.1
 (US) D613,966 S * 4/2010 Staw D6/683.1
 D655,107 S * 3/2012 Clark D6/683.1
 D970,932 S * 11/2022 Zhao D6/675.3

(**) Term: **15 Years**

* cited by examiner

(21) Appl. No.: **29/755,731**

Primary Examiner — Kelley A Donnelly

(22) Filed: **Oct. 22, 2020**

(74) *Attorney, Agent, or Firm* — Husch Blackwell LLP

(51) **LOC (14) Cl.** **06-06**

(57) **CLAIM**

(52) **U.S. Cl.**
USPC **D6/675.3**

I claim the ornamental design for a floor rack, as shown and described.

(58) **Field of Classification Search**
 USPC D6/672, 673, 675, 675.1, 675.2, 675.3,
 D6/682, 682.1, 682.2, 682.3, 702, 705,
 D6/705.1, 705.4, 512–513, 709.2
 CPC A47B 43/003; A47B 47/021; A47B 57/00;
 A47B 81/00; A47B 96/02; A47B 96/04;
 A47F 1/00; A47F 1/04; A47F 3/00; A47F
 3/14; A47F 5/0018; A47F 5/0043; A47F
 5/0081; A47F 5/0807
 See application file for complete search history.

DESCRIPTION

FIG. 1 is a perspective view of a floor rack;
 FIG. 2 is a top plan view of the floor rack;
 FIG. 3 is a front elevation view of the floor rack, the rear elevation view being an identical image to the front elevation view;
 FIG. 4 is a right side elevation view of the floor rack, the left side elevation view being an identical image to the right side elevation view;
 FIG. 5 is a bottom plan view of the floor rack; and,
 FIG. 6 is a cross-section view of the floor rack taken across line 6-6 of FIG. 1.
 Broken lines shown in the drawing views are included for illustrative purposes only, and form no part of the claimed design.

(56) **References Cited**

U.S. PATENT DOCUMENTS

D186,561 S * 11/1959 Howard D6/566
 2,998,107 A * 8/1961 Zimmerla E04B 2/76
 52/36.6
 D253,213 S * 10/1979 Hudik D6/675.3
 D268,068 S * 3/1983 Ellenson D6/515
 D302,632 S * 8/1989 Rees D6/683.1

1 Claim, 4 Drawing Sheets

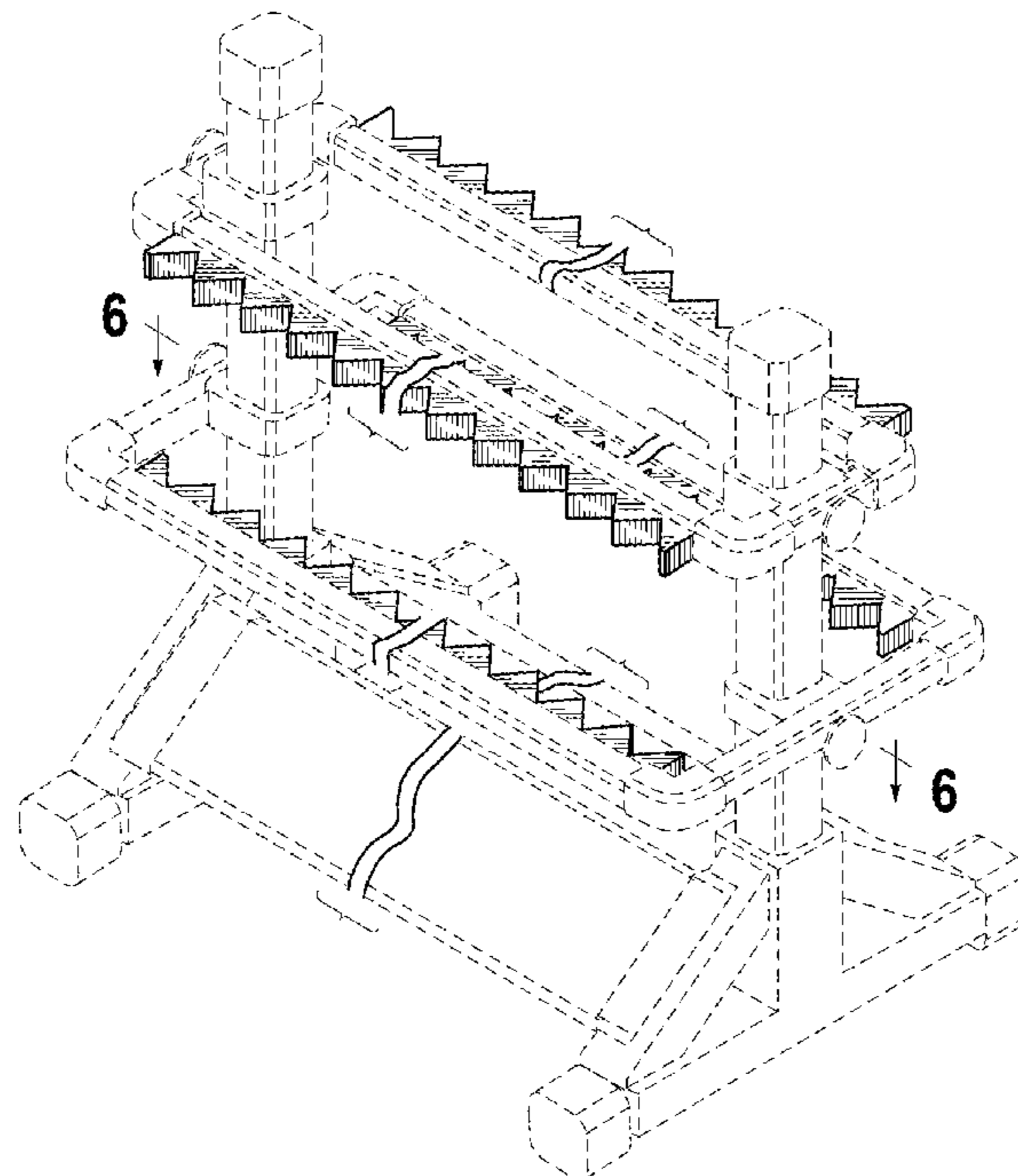


FIG. 1

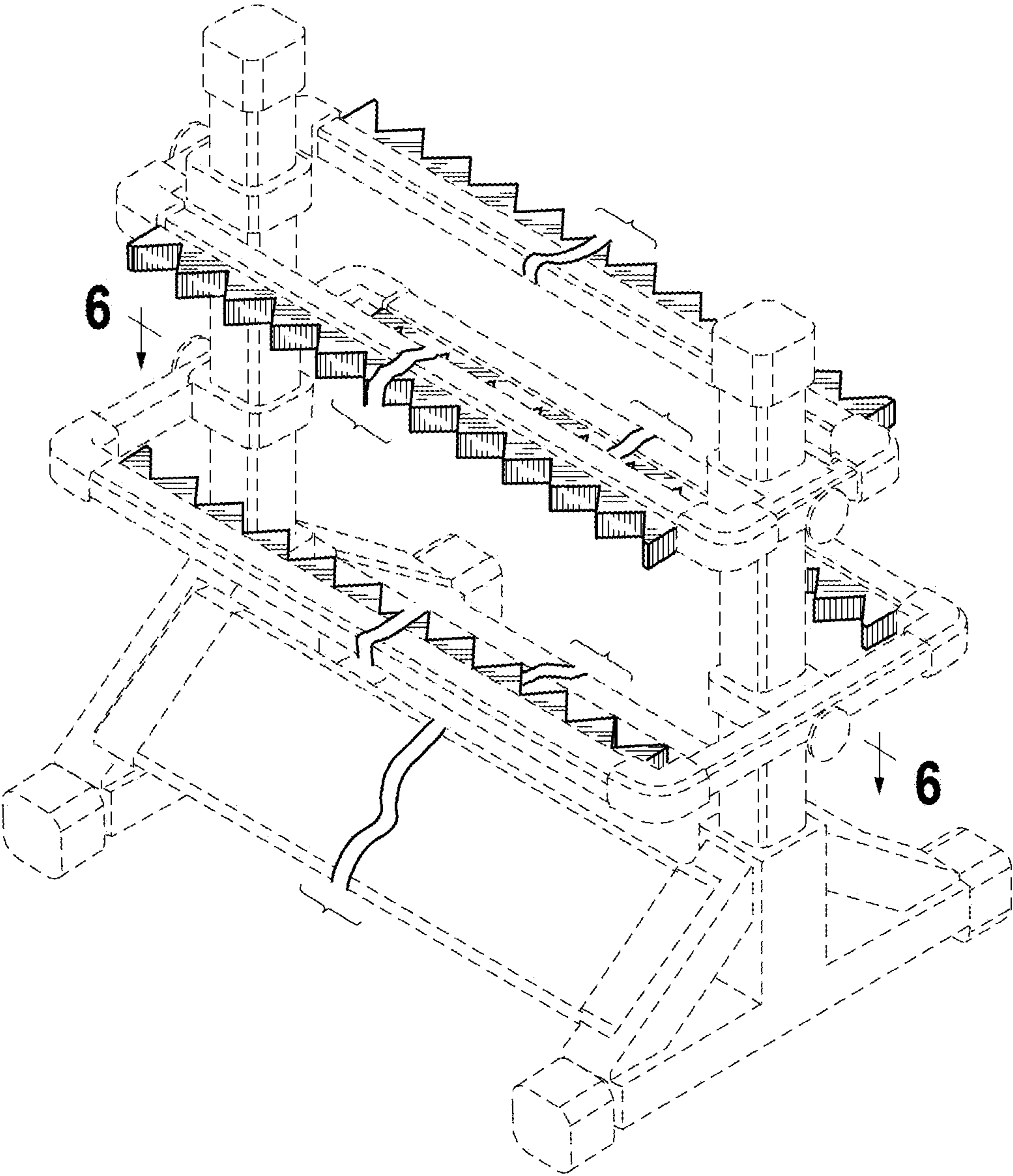


FIG. 2

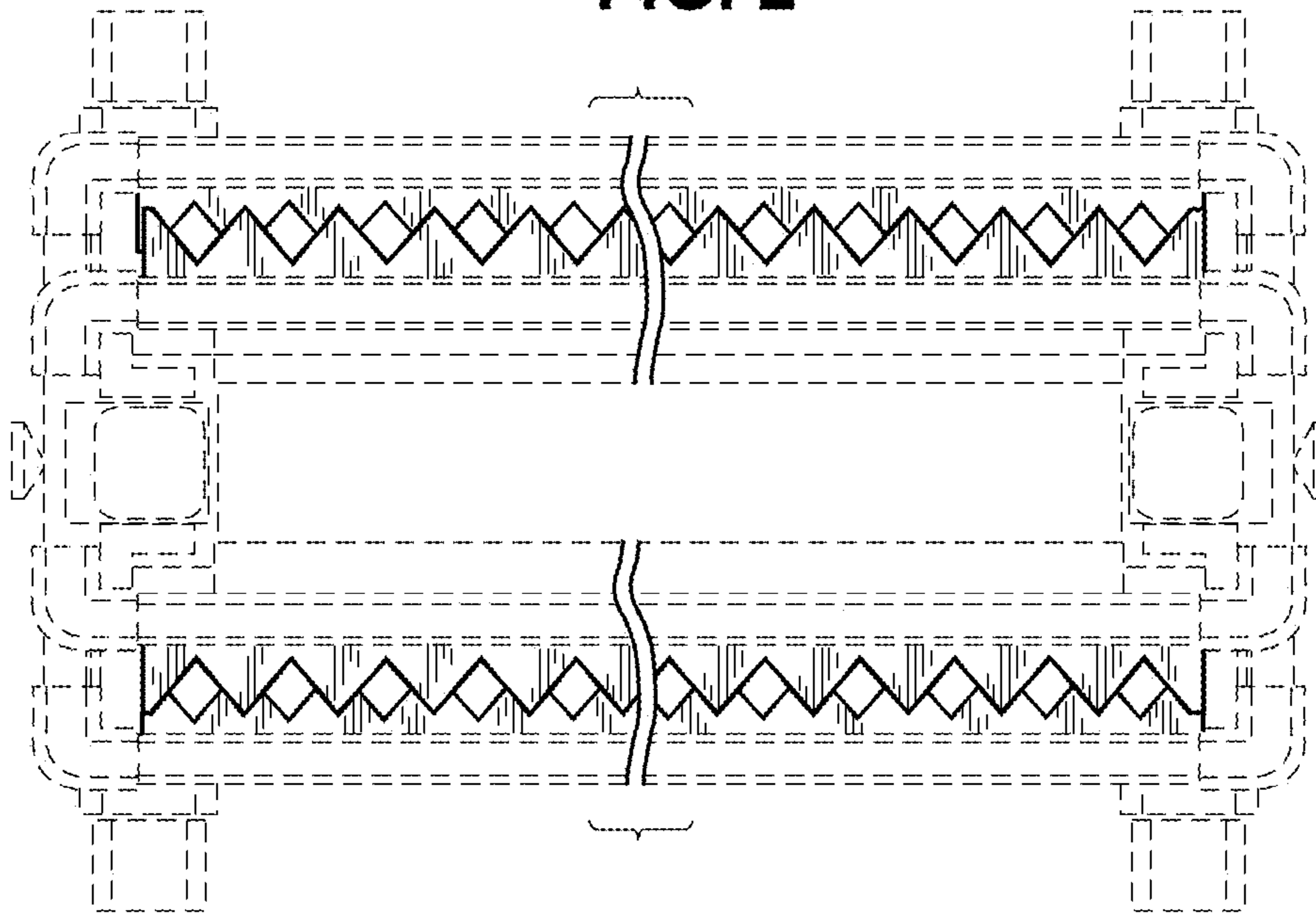


FIG. 3

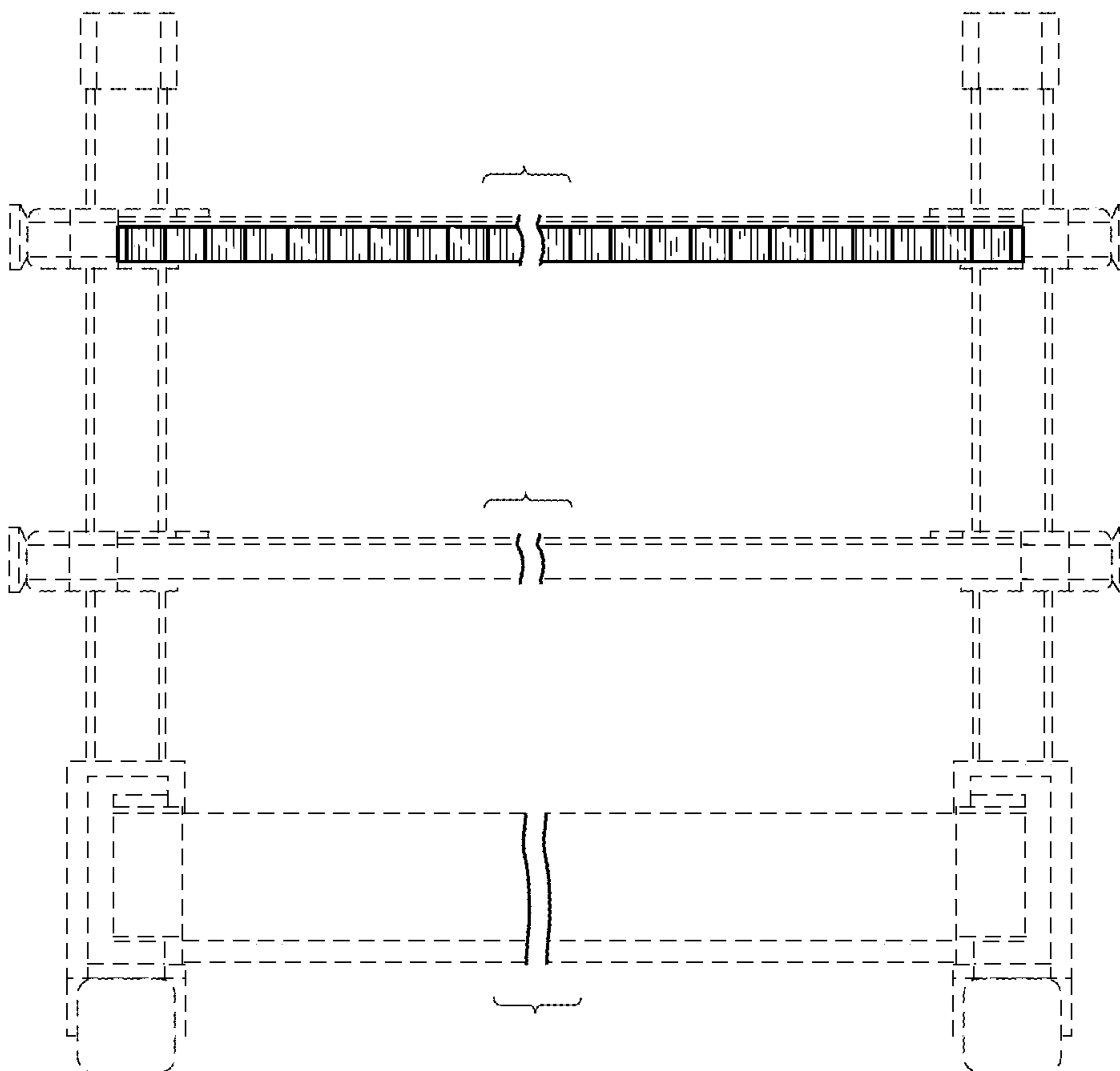


FIG. 4

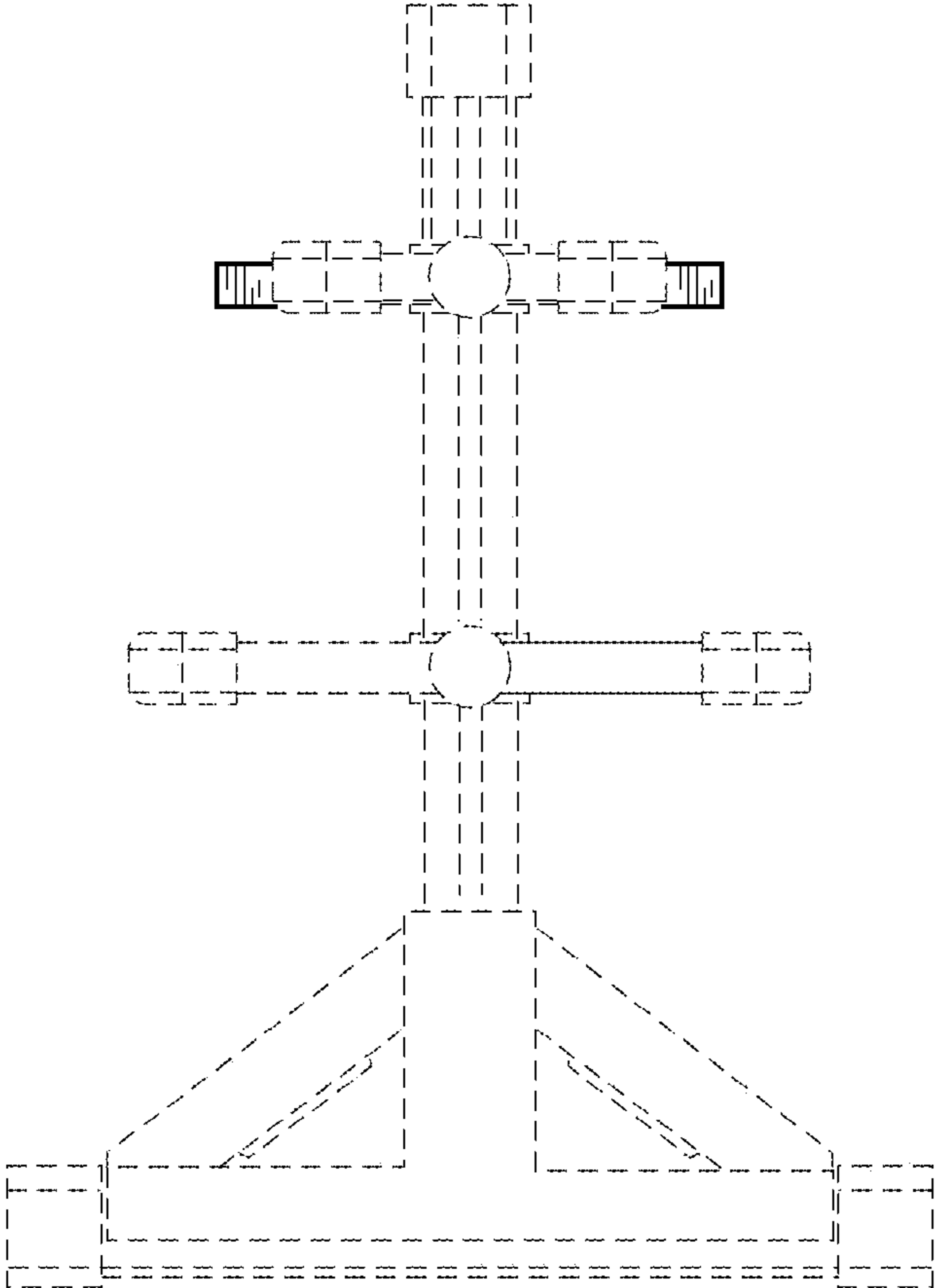


FIG. 5

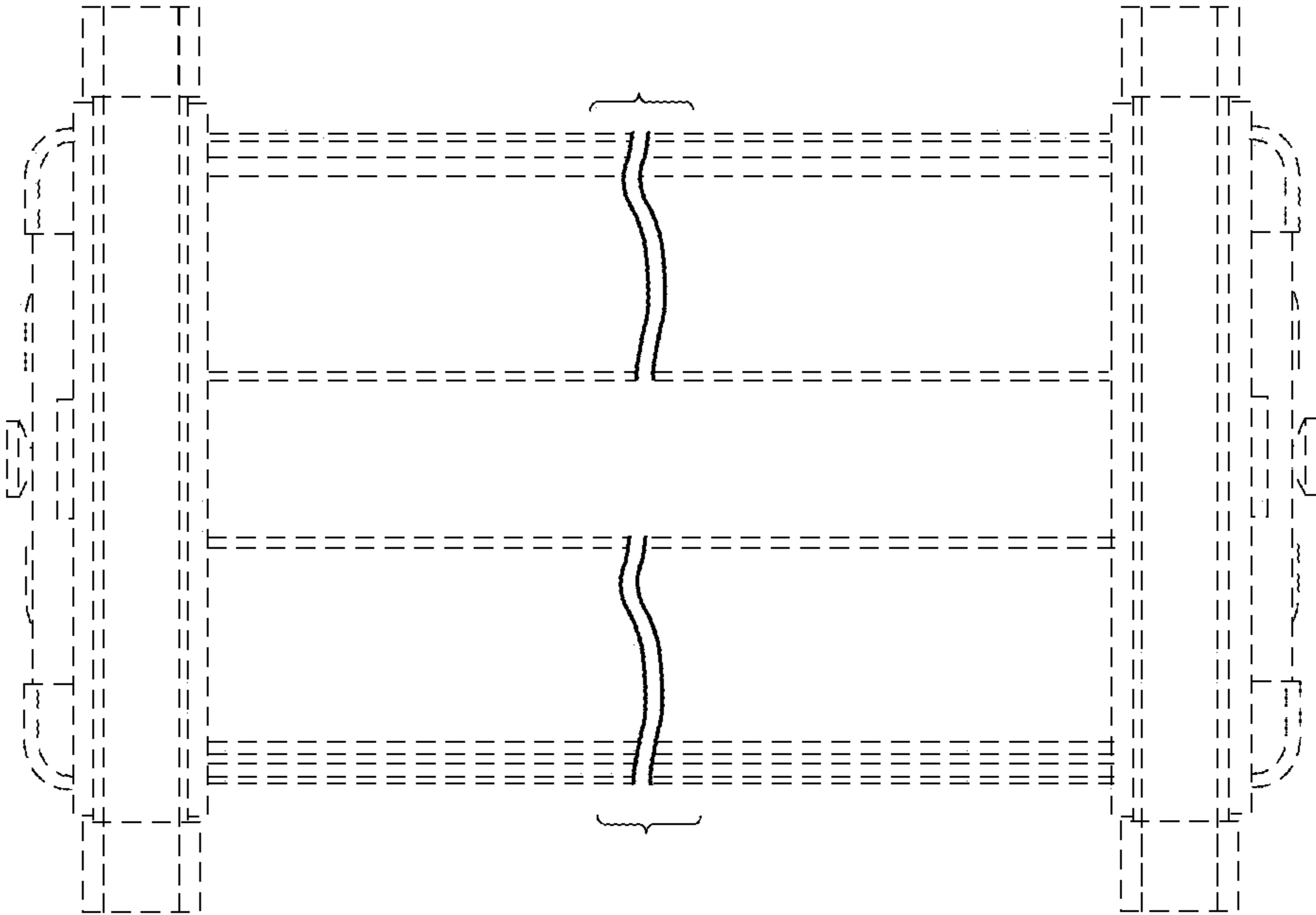


FIG. 6

