



US00D984827S

(12) **United States Design Patent** (10) **Patent No.:** **US D984,827 S**
Huang (45) **Date of Patent:** **** May 2, 2023**

(54) **TOWEL HOLDER**
(71) Applicant: **Shenzhen Xirun Technology Co., Ltd.,**
Shenzhen (CN)
(72) Inventor: **Yuanfang Huang,** Shenzhen (CN)
(73) Assignee: **Shenzhen Xirun Technology Co., Ltd.,**
Shenzhen (CN)

D739,158 S 9/2015 Pan
D852,535 S 7/2019 Goodman
D859,029 S * 9/2019 Mariano D6/522
D887,169 S 6/2020 Kauffman
D904,790 S * 12/2020 Zhong D6/549
D916,491 S * 4/2021 Chen D6/522
D919,319 S * 5/2021 Hu D6/522

(Continued)

(**) Term: **15 Years**
(21) Appl. No.: **29/829,814**

FOREIGN PATENT DOCUMENTS
EM 008170674-0006 * 9/2020
EM 008308928-0002 * 12/2020
EM 008636260-0014 * 8/2021

(22) Filed: **Mar. 8, 2022**
(51) **LOC (14) Cl.** **23-08**
(52) **U.S. Cl.**
USPC **D6/522; D6/549**
(58) **Field of Classification Search**
USPC D6/512, 513, 515, 518, 521, 522, 523,
D6/524, 546, 547, 548, 549, 550, 553,
D6/675.2, 566, 567; D8/315, 316, 319,
D8/320; D23/303, 304; 211/16, 88.04,
211/105.1, 6, 45, 89.01, 100; 248/251,
248/309.1
CPC A47B 47/0058; A47B 96/027
See application file for complete search history.

OTHER PUBLICATIONS

Paper Towel Holder, Paper Towel Holder Under Cabinet Bulk—
Self-Adhesive, Paper Towel Holder Wall Mount Both Available in
Adhesive and Screws, Stainless Steel Paper Towel Holder Sturdy
and Durable—Downloaded on Mar. 8, 2022 from Amazon.com.

(Continued)

Primary Examiner — Marie D. Fast Horse
Assistant Examiner — Jennifer Sierra Yosinski

(57) **CLAIM**

The ornamental design for a towel holder, as shown and
described.

(56) **References Cited**

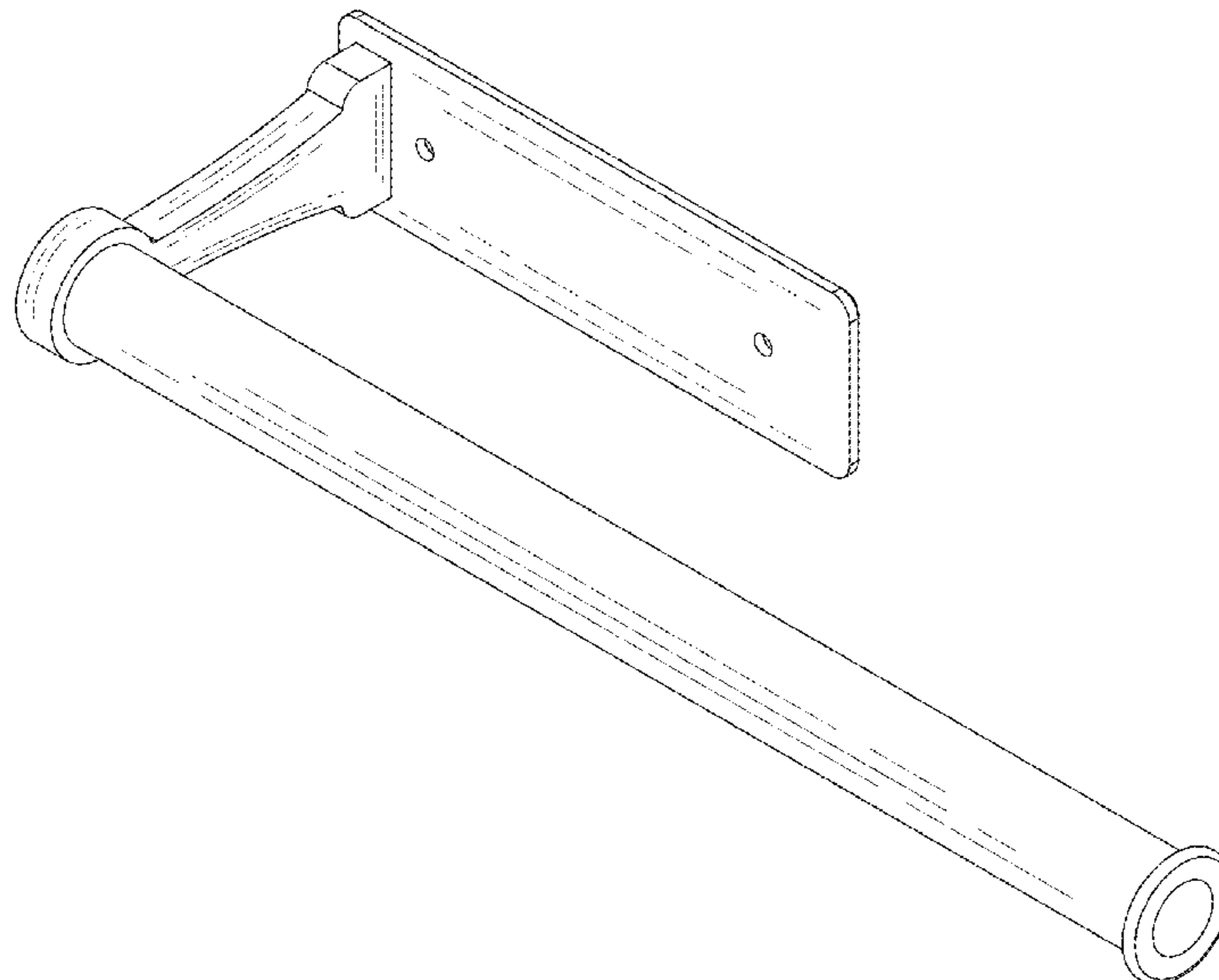
DESCRIPTION

U.S. PATENT DOCUMENTS

D398,466 S * 9/1998 Odom D6/521
D455,587 S * 4/2002 Ou-Young D6/523
D486,333 S * 2/2004 Hoernig D6/521
D486,681 S * 2/2004 Hoernig D6/523
D518,985 S * 4/2006 Yang D6/521
D521,291 S 5/2006 Ferrer Beltra
D521,292 S 5/2006 Ferrer Beltrán
D532,228 S * 11/2006 Snell D6/522
D545,599 S 7/2007 Yu
D576,435 S 9/2008 Snell
D633,317 S 3/2011 Walters
D701,058 S 3/2014 Goodman

FIG. 1 is a front elevation view of a towel holder showing
my new design;
FIG. 2 is a back elevation view thereof;
FIG. 3 is a left-side view thereof;
FIG. 4 is a right-side view thereof;
FIG. 5 is a top plan view thereof;
FIG. 6 is a bottom plan view thereof;
FIG. 7 is a top-left perspective view thereof; and,
FIG. 8 is a bottom-left perspective view thereof.

1 Claim, 8 Drawing Sheets



(56)

References Cited

U.S. PATENT DOCUMENTS

D930,387 S * 9/2021 Liang D6/522
D963,369 S * 9/2022 Liu D6/521

OTHER PUBLICATIONS

Kes Toilet Paper Holder SUS304 Stainless Steel Wall Mount Brushed, A2175S12-2—Downloaded on Mar. 8, 2022 from Amazon.com.

Kes Kes Bathroom Accessories Set 2-Pieces Toilet Paper Holder and Towel Hook SUS304 Stainless Steel Wall Mounted Brushed Finish, A2175S12-2+A2164DG-2—Downloaded on Mar. 8, 2022 from Amazon.com.

LuxJoy Bathroom Hardware Set 4 Piece Stainless Steel with 18 inch Towel Bar, Toilet Paper Holder, Towel Ring, Robe Hook, Wall Mounted Accessories Towel Rack Set, Matte Black—Downloaded on Mar. 8, 2022 from Amazon.com.

KaryHome Paper Towel Holder Under Cabinet Mount, Self Adhesive Wall Mount Paper Towel Roll Holder Rack for Kitchen , SUS304 Stainless Steel—Downloaded on Mar. 8, 2022 from Amazon.com.

Paper Towel Holder Under Cabinet, sriena Adhesive or Drilling Black Paper Towel Roll Holder Rack, Under Counter or Wall Mount for Kitchen, Bathroom, Camper, RV, SUS-304 Stainless Steel—Downloaded on Mar. 8, 2022 from Amazon.com.

Mosodo Non Perforated Paper Towel Holder Toilet Paper Hanger Roll Paper Holder Fresh Film Storage Rack Wall Hanging Shelf—Downloaded on Mar. 8, 2022 from aliexpress.com.

Adhesive Paper Towel Holder Under Cabinet Wall Mount for Kitchen Paper Towel, Black Paper Towel Roll Holder Stick to Wall—Downloaded on Mar. 8, 2022 from aliexpress.com.

Bathroom Toilet Paper Holder Stainless Towel Holder Toilet Punch-free Roll Paper Holder Kitchen Hook Storage Holder—Downloaded on Mar. 8, 2022 from aliexpress.com.

* cited by examiner

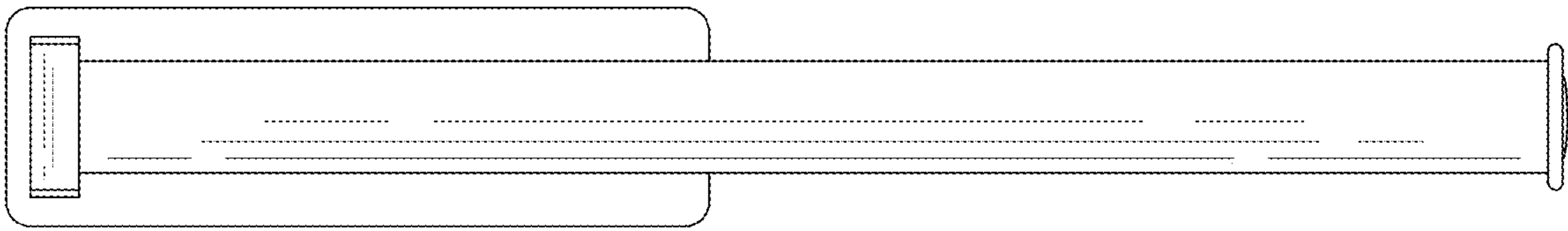


FIG. 1

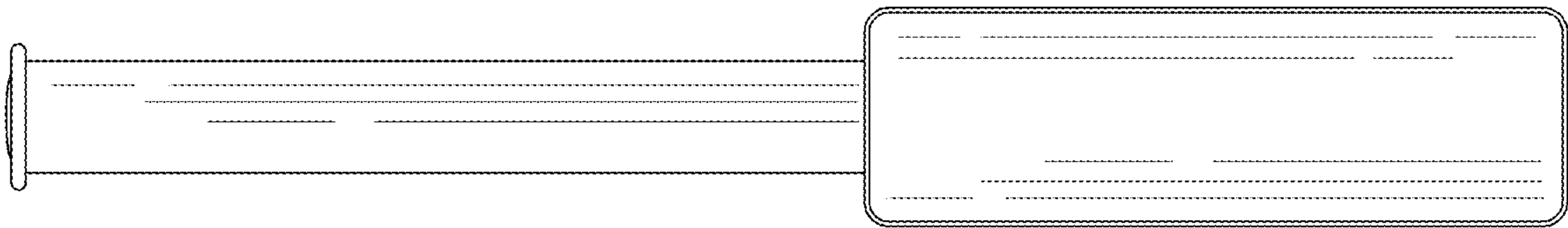


FIG. 2

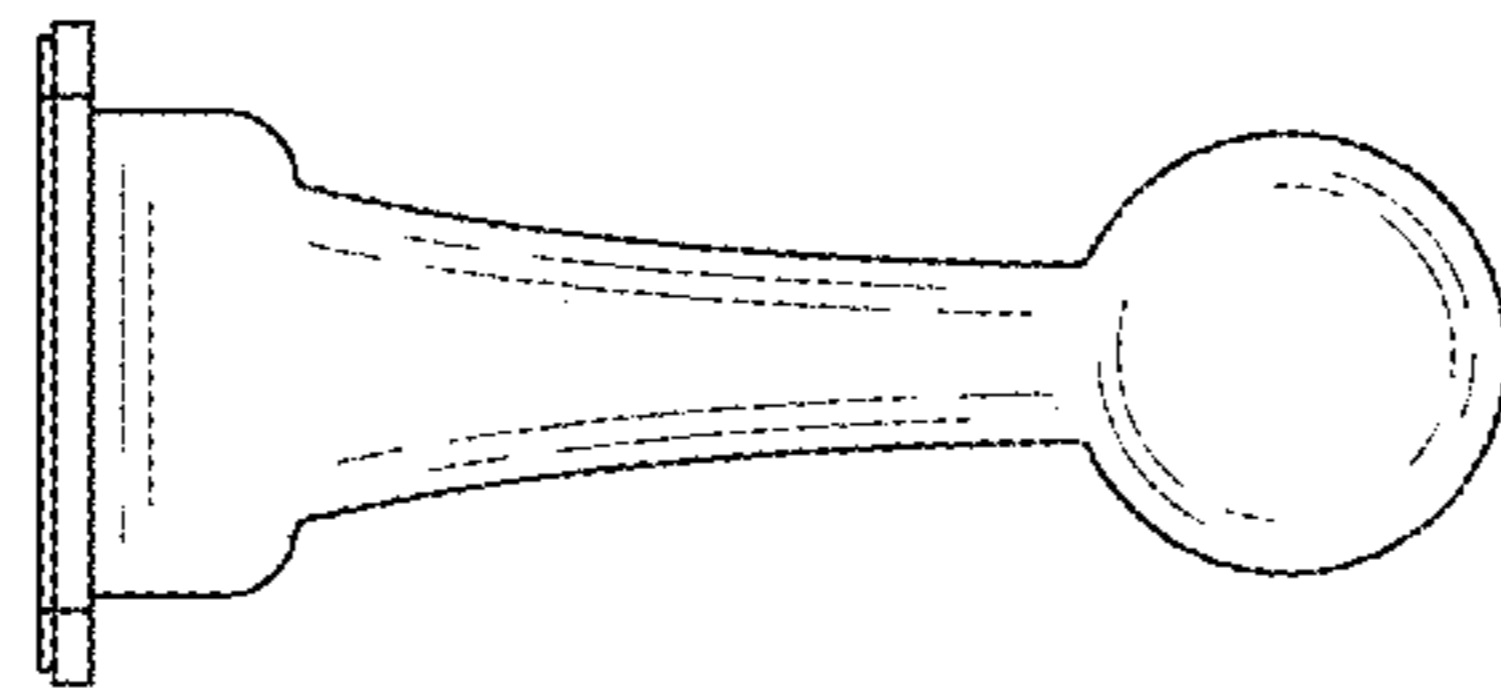


FIG. 3

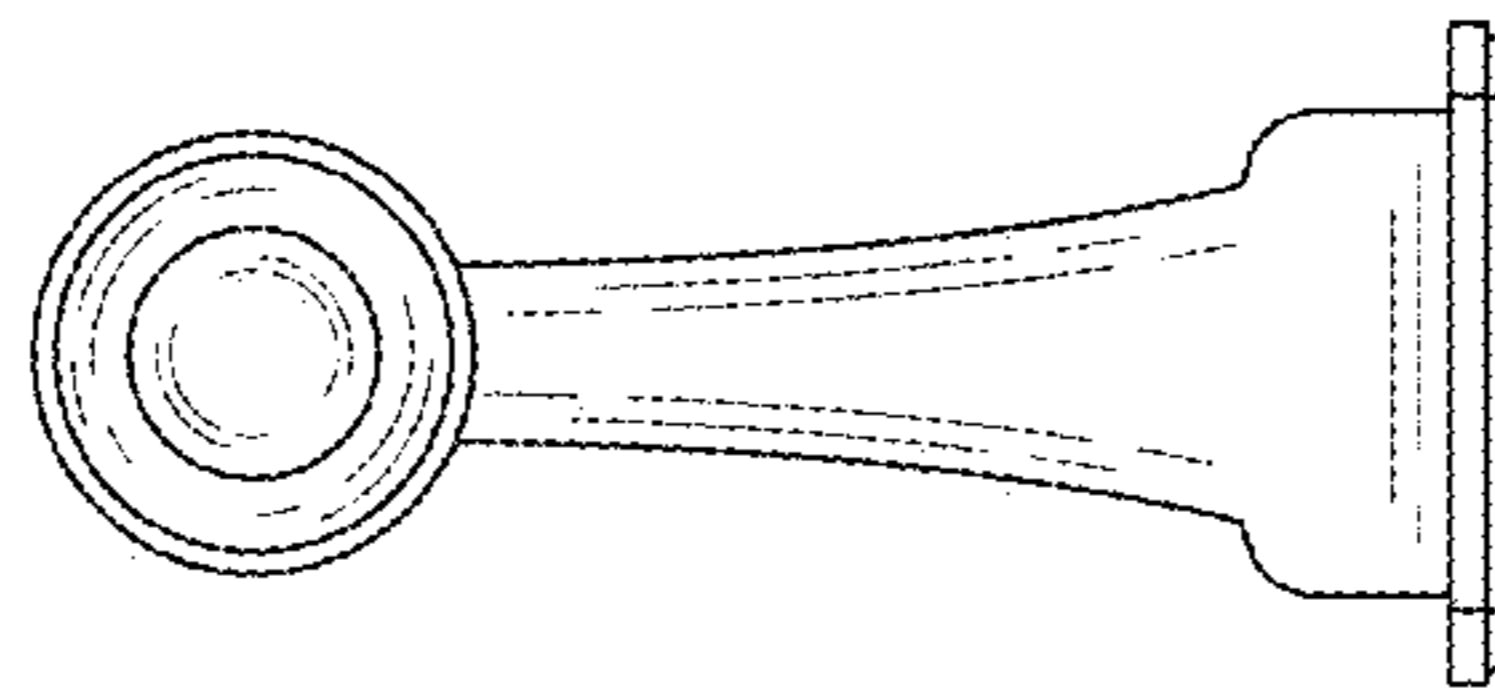


FIG. 4

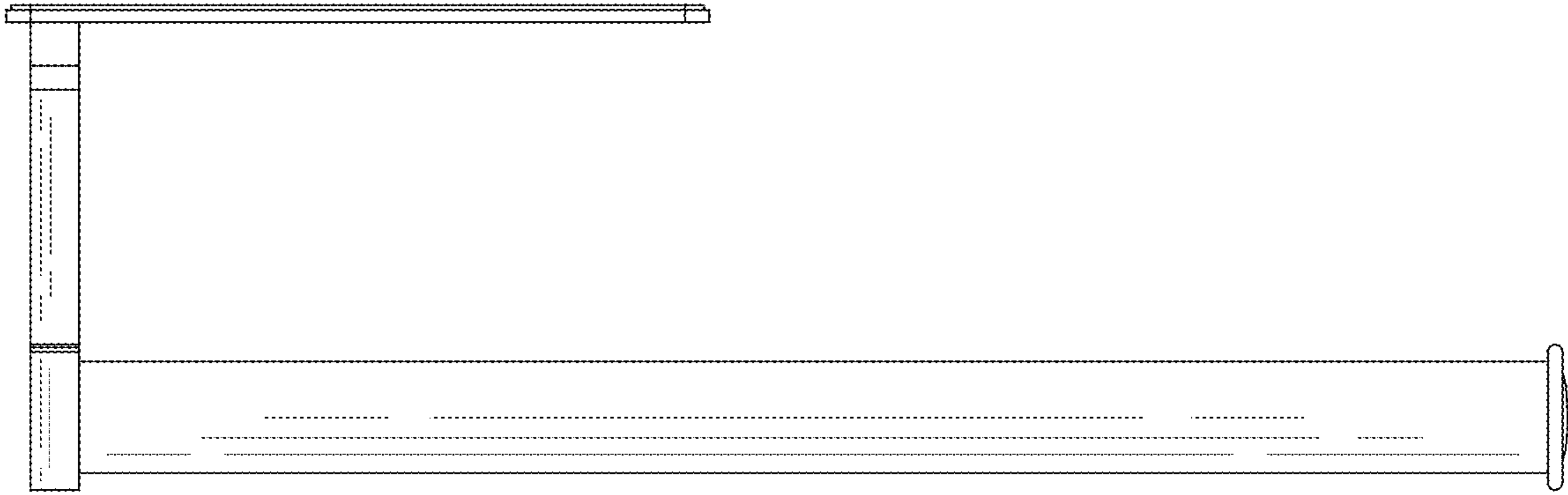


FIG. 5

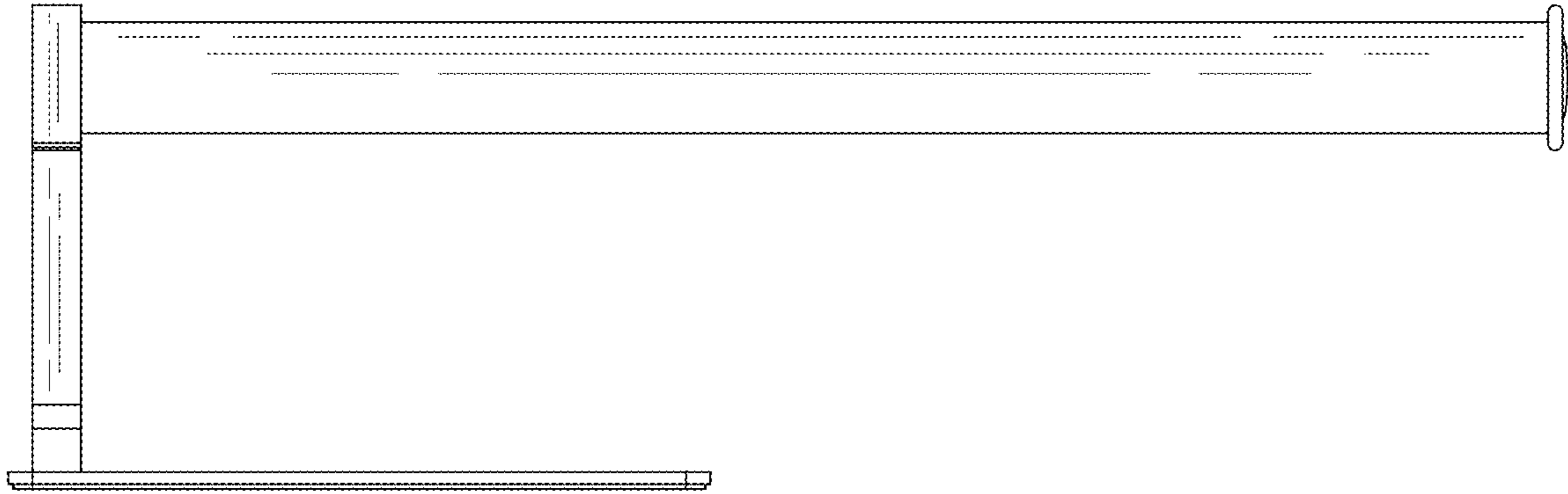


FIG. 6

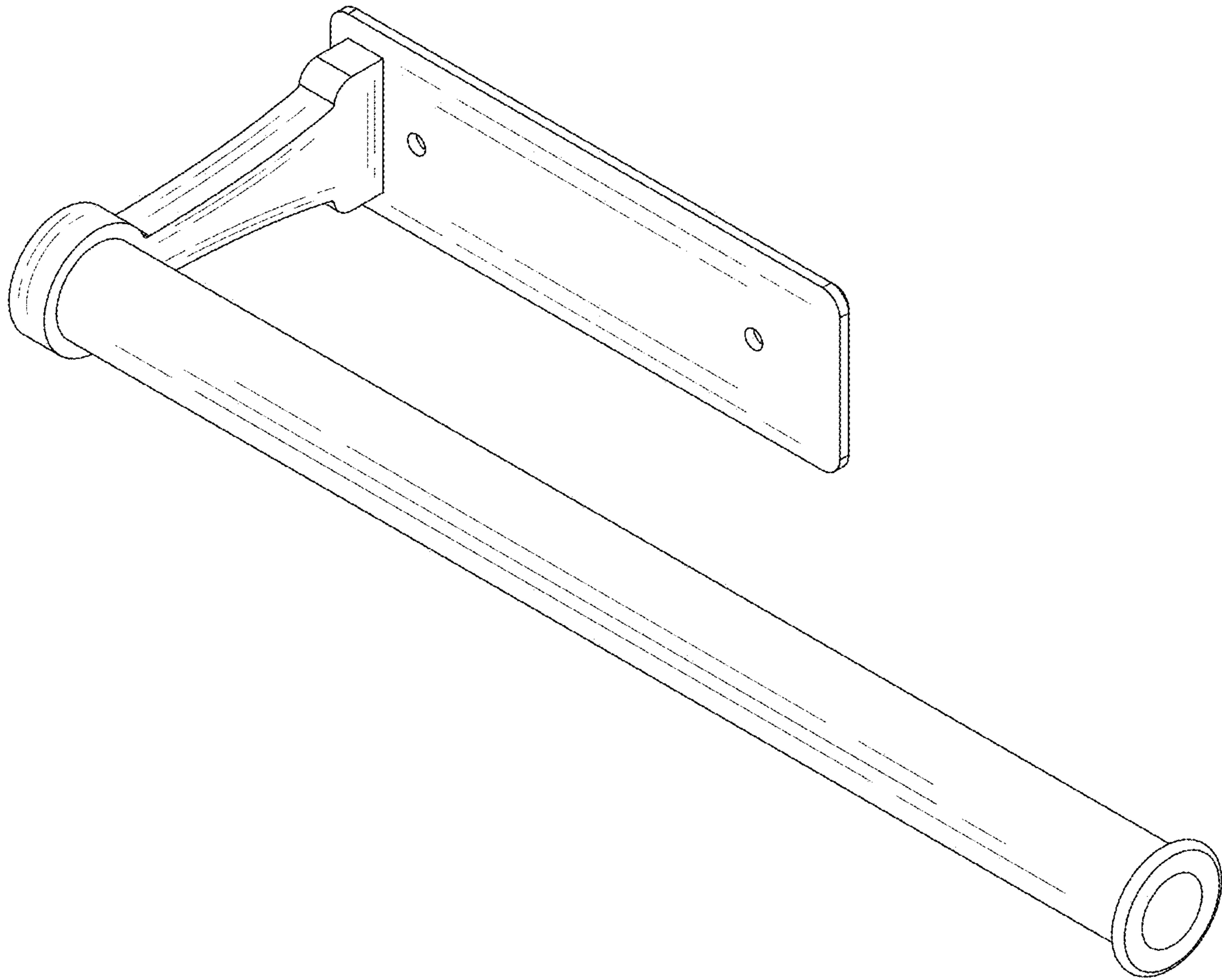


FIG. 7

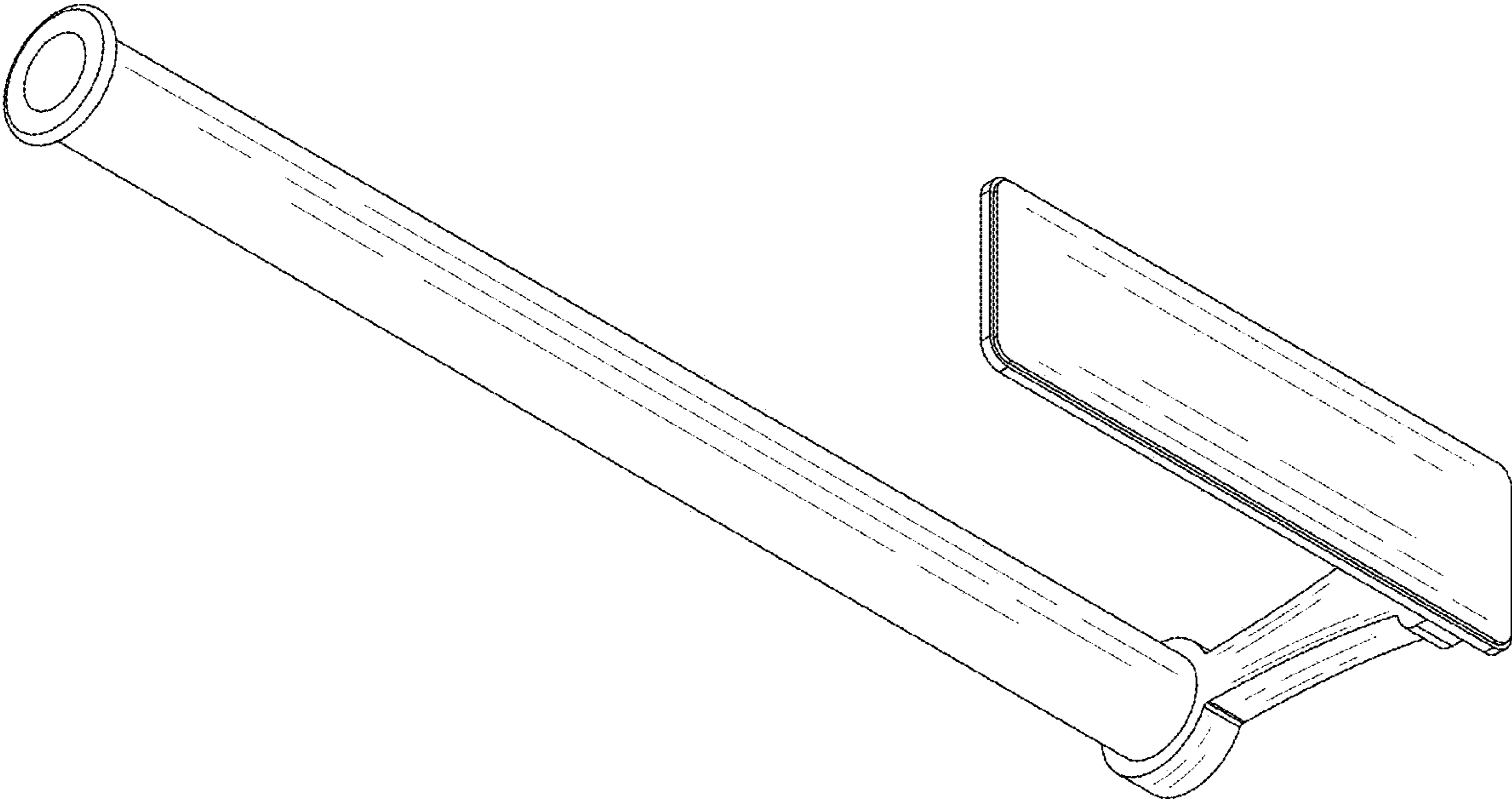


FIG. 8