



US00D984824S

(12) **United States Design Patent** (10) **Patent No.:** **US D984,824 S**
Albrecht et al. (45) **Date of Patent:** **** May 2, 2023**

(54) **CENTER PULL-THROUGH DISPENSER**
(71) Applicant: **San Jamar, Inc.**, Elkhorn, WI (US)
(72) Inventors: **Brian Albrecht**, Elkhorn, WI (US);
Jodie Schoon, East Troy, WI (US)
(73) Assignee: **San Jamar, Inc.**, Elkhorn, WI (US)
(**) Term: **15 Years**

3,291,339 A 12/1966 Hein
3,370,748 A 2/1968 Koerper et al.
3,523,653 A 8/1970 Hansen
3,749,296 A 7/1973 Harrison
(Continued)

FOREIGN PATENT DOCUMENTS

AU 646471 B2 2/1994
CA 97650 S 4/2003
(Continued)

(21) Appl. No.: **29/693,234**
(22) Filed: **May 31, 2019**
(51) **LOC (14) Cl.** **23-02**
(52) **U.S. Cl.**
USPC **D6/518; D6/522**
(58) **Field of Classification Search**
USPC D6/515, 518, 519-523; D3/201;
206/389, 391, 407, 409; 211/85.5, 59.2;
221/92, 97, 185, 282, 284, 33; 242/159,
242/160.2, 550, 560, 590, 594, 59, 588,
242/598, 598.3, 598.65; 312/34.1, 34.8;
225/46
CPC A47K 10/421; A47K 10/424; A47K
2010/3266; B65D 83/0805
See application file for complete search history.

OTHER PUBLICATIONS

San Jamar website, Centerpull Towel Dispenser, Oct. 20, 2020,
<https://www.sanjamar.com/product/centerpull-towel-dispenser-2/> (Year:
2020).*

Primary Examiner — Nathan M Johnston
(74) *Attorney, Agent, or Firm* — Boyle Fredrickson S.C.

(57) **CLAIM**

The ornamental design for a center pull-through dispenser,
as shown and described.

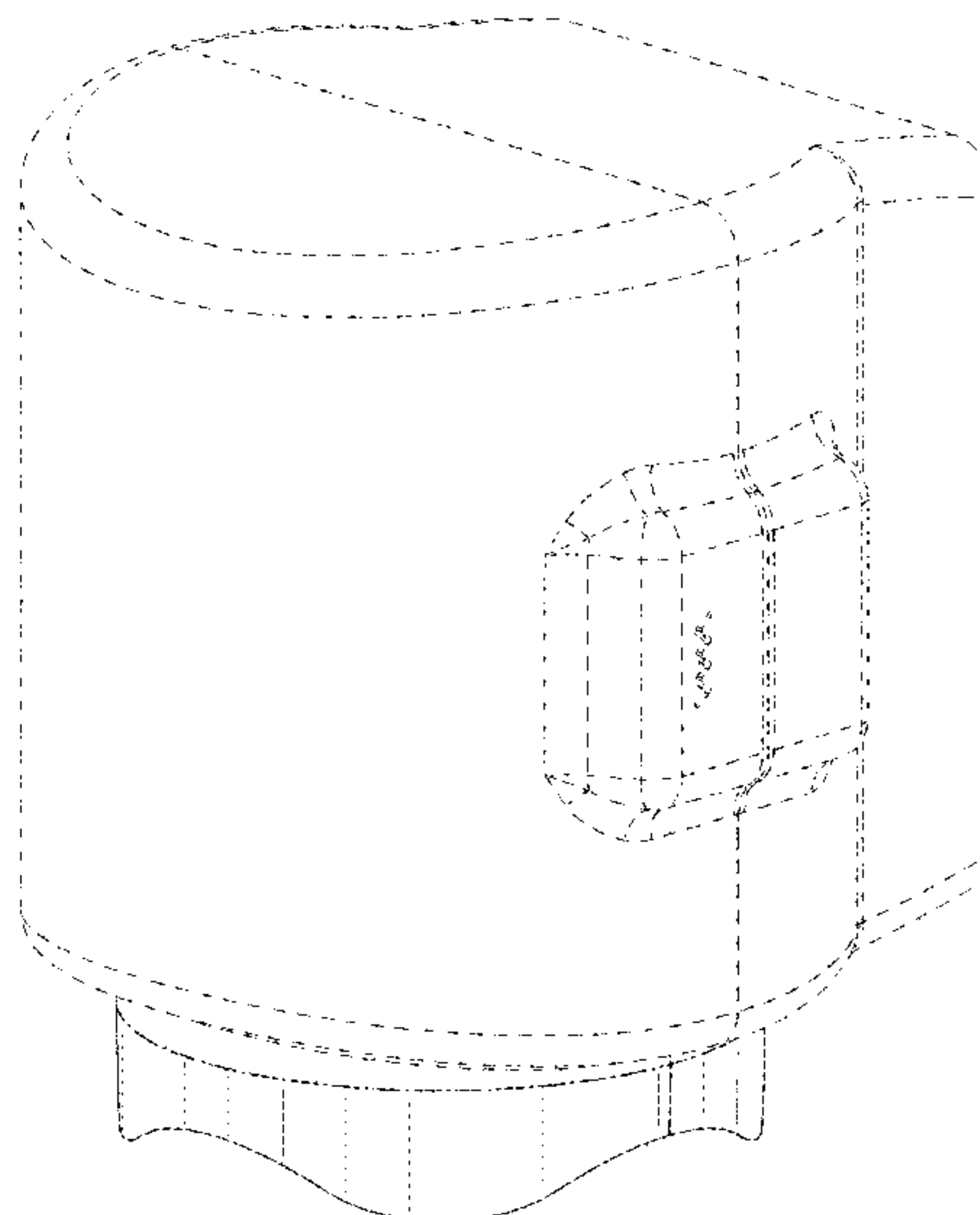
DESCRIPTION

FIG. 1 is a front elevation view of a center pull-through
dispenser incorporating my new design;
FIG. 2 is a rear elevation view thereof;
FIG. 3 is a left side elevation view thereof;
FIG. 4 is a right side elevation view thereof;
FIG. 5 is a top plan view thereof;
FIG. 5 is a top plan view thereof; and,
FIG. 6 is a perspective view from in front of, above, and the
right side thereof.
The broken lines in FIGS. 1-6 form no part of the claimed
design and include dot-dashed lines that define the bounds of
the claimed design and dashed lines that illustrate portions
of the center pull-through dispenser that form no part of the
claimed design.

(56) **References Cited**
U.S. PATENT DOCUMENTS

1,297,119 A 3/1919 Davis
1,362,449 A 12/1920 Teall
1,563,867 A 12/1925 Krueger
1,649,273 A 11/1927 Wilson
2,027,674 A 1/1936 Broeren
2,108,825 A 2/1938 Morris
2,434,206 A 1/1948 Frieders
2,547,856 A 4/1951 Cofrin et al.
D176,842 S 2/1956 D'Ath
2,852,158 A 9/1958 Jones et al.
3,028,047 A 4/1962 Tuft
3,203,586 A 8/1965 Downham
3,208,636 A 9/1965 Filipowicz

1 Claim, 7 Drawing Sheets



(56)

References Cited

U.S. PATENT DOCUMENTS

3,777,931 A	12/1973	Fleming	5,857,642 A	1/1999	Zinnbauer	
3,843,017 A	10/1974	Harrison	5,868,346 A	2/1999	Cobos	
3,923,223 A	12/1975	Larsson et al.	D406,974 S	3/1999	King et al.	
D238,731 S	2/1976	Breger	5,890,633 A	4/1999	Skillin et al.	
3,973,695 A	8/1976	Ames	6,024,323 A	2/2000	Palermo, Jr.	
3,982,659 A	9/1976	Ross	6,029,921 A	2/2000	Johnson	
4,009,682 A	3/1977	Patel et al.	D423,263 S *	4/2000	King	D6/518
4,094,442 A	6/1978	Radek	6,082,663 A	7/2000	Tramontina et al.	
4,138,034 A	2/1979	McCarthy	6,089,499 A	7/2000	Robinson	
4,171,047 A	10/1979	Doyle et al.	6,092,757 A	7/2000	Leytem	
4,180,160 A	12/1979	Ogawa et al.	6,109,473 A	8/2000	Neveu et al.	
4,262,816 A	4/1981	Margulies	6,129,240 A	10/2000	Morand	
4,274,573 A	6/1981	Finkelstein	6,145,782 A	11/2000	King et al.	
4,289,262 A	9/1981	Finkelstein	6,158,614 A	12/2000	Haines et al.	
4,311,252 A	1/1982	Hope, Jr. et al.	6,182,858 B1	2/2001	Hartog	
4,314,679 A	2/1982	Paul et al.	6,189,726 B1	2/2001	Fick	
4,343,415 A	8/1982	Radek	6,189,730 B1	2/2001	McClymonds	
4,353,480 A	10/1982	McFadyen	D441,230 S *	5/2001	Andersson	D6/518
4,462,507 A	7/1984	Margulies	6,267,321 B1	7/2001	Tramontina	
4,524,895 A	7/1985	Lunden	D449,474 S *	10/2001	Conran	A47K 10/3818 D6/518
4,526,291 A	7/1985	Margulies	6,328,252 B1	12/2001	Neveu et al.	
4,534,491 A	8/1985	Norton et al.	6,387,871 B2	5/2002	Faber	
4,579,266 A	4/1986	Bunger et al.	D467,106 S	12/2002	Bohay	
D285,995 S	10/1986	Minost	6,510,964 B2	1/2003	Paukov et al.	
4,615,937 A	10/1986	Bouchette	6,517,025 B1	2/2003	Budz	
4,651,895 A	3/1987	Niske et al.	6,543,641 B2	4/2003	Hubanks et al.	
4,706,844 A	11/1987	Omdoll et al.	6,575,397 B1	6/2003	Tramontina et al.	
D296,765 S	7/1988	Urion	6,585,130 B2	7/2003	Turbett et al.	
4,760,970 A	8/1988	Larsson et al.	6,592,001 B2	7/2003	Lewis et al.	
4,846,415 A	7/1989	Jernberg et al.	6,592,002 B2	7/2003	Clark et al.	
4,905,868 A	3/1990	Beane et al.	6,629,667 B2	10/2003	Tramontina	
4,953,747 A	9/1990	Wenkman et al.	6,634,037 B2	10/2003	Turbett et al.	
4,979,617 A	12/1990	Benoit	6,695,247 B2	2/2004	Widlund	
5,006,267 A	4/1991	Vaughn et al.	D488,655 S *	4/2004	Tramontina	D6/518
5,065,924 A	11/1991	Granger	6,758,434 B2	7/2004	Kapiloff et al.	
5,131,561 A	7/1992	Casperson et al.	6,769,589 B2	8/2004	Paukov et al.	
5,131,903 A	7/1992	Levine et al.	6,848,594 B2	2/2005	Holland	
5,137,173 A	8/1992	Hughes et al.	6,869,041 B1	3/2005	Allegre et al.	
5,141,171 A	8/1992	Yang	6,959,891 B2	11/2005	Kapiloff et al.	
5,152,121 A	10/1992	Nakamura	6,964,395 B1	11/2005	Lewis et al.	
5,158,180 A	10/1992	Zucker	7,025,301 B1	4/2006	Notarnicola	
5,205,455 A	4/1993	Moody	7,028,945 B2	4/2006	Formon et al.	
5,211,308 A	5/1993	Decker et al.	7,040,568 B2	5/2006	Lewis et al.	
5,215,211 A	6/1993	Eberle	D522,785 S *	6/2006	Brady	D6/518
5,219,126 A	6/1993	Schutz	7,070,143 B2	7/2006	Faulks et al.	
5,246,137 A	9/1993	Schutz et al.	7,111,805 B2	9/2006	Notarnicola	
5,263,607 A	11/1993	Temesvary et al.	7,131,609 B1	11/2006	Lewis et al.	
5,269,432 A	12/1993	Beckertgis	7,178,689 B2	2/2007	Wieser et al.	
5,273,184 A	12/1993	Rizzuto	7,275,655 B2	10/2007	Duff	
5,285,927 A	2/1994	Pruitt	7,275,672 B2	10/2007	Haen et al.	
5,310,083 A	5/1994	Rizzuto	7,287,720 B1	10/2007	Allegre et al.	
5,332,118 A	7/1994	Muckenfuhs	D568,655 S	5/2008	Friesen et al.	
5,346,064 A	9/1994	Rizzuto	7,510,137 B2	3/2009	Tramontina et al.	
5,358,140 A	10/1994	Pellegrino	7,530,460 B2	5/2009	Lewis et al.	
5,370,338 A	12/1994	Lewis	7,530,471 B2	5/2009	Cohen et al.	
5,421,898 A	6/1995	Cavanagh	7,546,973 B2	6/2009	Budz et al.	
5,467,893 A	11/1995	Landis, II et al.	7,648,098 B2	1/2010	Goeking et al.	
5,480,060 A	1/1996	Blythe	D613,538 S	4/2010	Cattacin et al.	
5,542,567 A	8/1996	Julius	D615,330 S *	5/2010	Meyerhoffer	D6/518
5,542,568 A	8/1996	Julius	D623,453 S *	9/2010	Benedetti	D6/518
5,560,514 A	10/1996	Frazier	D625,535 S	10/2010	Cattacin et al.	
5,577,634 A	11/1996	Morand	7,806,291 B2	10/2010	Anderson	
5,577,635 A	11/1996	Block	7,856,941 B2	12/2010	Nelson et al.	
5,582,362 A	12/1996	Johnson et al.	7,878,368 B2	2/2011	Friesen et al.	
D385,734 S	11/1997	Mervar et al.	7,922,034 B2	4/2011	Neveu et al.	
5,697,576 A	12/1997	Bloch et al.	7,997,443 B2	8/2011	Titas et al.	
5,715,971 A	2/1998	Morand	7,997,522 B2	8/2011	Titas et al.	
5,718,353 A	2/1998	Kanfer et al.	8,256,700 B2	9/2012	Billman et al.	
5,749,492 A	5/1998	Petterson	8,505,770 B2	8/2013	Askinasi	
5,762,286 A	6/1998	Schutz	8,555,761 B2	10/2013	Keily et al.	
5,762,287 A	6/1998	Schutz	8,573,398 B2	11/2013	Reinke et al.	
5,765,718 A	6/1998	Grasso et al.	8,616,486 B2	12/2013	Billman et al.	
5,769,354 A	6/1998	Lindh et al.	8,684,228 B2	4/2014	Parker	
D396,369 S	7/1998	Giugiaro	8,720,813 B2	5/2014	Nordlund	
D403,543 S	1/1999	Grasso et al.	8,802,211 B2	8/2014	Cattacin et al.	
			8,857,614 B2	10/2014	Gordon	
			9,089,226 B2	7/2015	Kling	
			9,101,250 B2	8/2015	Ray	

(56)

References Cited

U.S. PATENT DOCUMENTS

9,113,759 B2 8/2015 Ray et al.
 9,380,917 B2 7/2016 Eilmus et al.
 D771,968 S * 11/2016 Bing D6/518
 9,499,369 B2 11/2016 Billman et al.
 9,554,677 B2 1/2017 Cattacin et al.
 2002/0056718 A1 5/2002 Paukov et al.
 2002/0139828 A1 10/2002 Paukov
 2003/0071102 A1* 4/2003 Haen A47K 10/3818
 225/96.5
 2003/0164377 A1 9/2003 Budz et al.
 2003/0194932 A1 10/2003 Clark et al.
 2003/0215602 A1 11/2003 Andersson et al.
 2004/0137815 A1 7/2004 Ellis et al.
 2004/0228904 A1 11/2004 Ellis et al.
 2005/0067424 A1 3/2005 Duff
 2005/0067519 A1 3/2005 King
 2005/0205594 A1 9/2005 Evans et al.
 2005/0211715 A1 9/2005 Parris et al.
 2005/0224628 A1 10/2005 Lewis et al.
 2005/0236416 A1 10/2005 Reinke et al.
 2006/0102642 A1 5/2006 Muntzing et al.
 2006/0124680 A1 6/2006 Notarnicola
 2006/0261076 A1* 11/2006 Anderson A47K 10/3818
 221/33
 2007/0231438 A1 10/2007 Repo
 2008/0001017 A1 1/2008 Saarvali
 2008/0061073 A1 3/2008 Laroche
 2008/0073456 A1 3/2008 Goeking et al.
 2008/0142520 A1 6/2008 Morgan
 2008/0173661 A1 7/2008 Neveu
 2008/0290210 A1 11/2008 Tramontina et al.
 2009/0001212 A1 1/2009 Budz et al.
 2009/0026306 A1 1/2009 Kempster et al.
 2009/0039099 A1 2/2009 Friesen et al.
 2009/0045211 A1 2/2009 Friesen et al.
 2009/0114669 A1 5/2009 Decker et al.
 2009/0120950 A1 5/2009 Titas et al.
 2009/0120951 A1 5/2009 Titas et al.
 2009/0212063 A1 8/2009 Cohen et al.
 2009/0212149 A1 8/2009 Lan
 2009/0223991 A1 9/2009 Lorenzati et al.
 2009/0223992 A1 9/2009 Lorenzati et al.
 2009/0223993 A1 9/2009 Lorenzati
 2010/0078443 A1 4/2010 Hoefing et al.
 2010/0117495 A1 5/2010 Cornell
 2010/0176021 A1 7/2010 Gordon
 2010/0187250 A1 7/2010 Kryshak
 2010/0187251 A1 7/2010 Simmons
 2010/0314485 A1 12/2010 Anderson
 2011/0031265 A1 2/2011 Saarvali et al.
 2011/0139807 A1 6/2011 Ray et al.
 2012/0001014 A1 1/2012 Decker
 2012/0037640 A1 2/2012 Thomas, Jr. et al.
 2012/0053033 A1 3/2012 Sprick-Schuetz et al.
 2012/0097697 A1 4/2012 Gehring
 2012/0104014 A1 5/2012 Hamer et al.
 2012/0125795 A1 5/2012 Kullman et al.
 2012/0163915 A1 6/2012 Hill
 2012/0298689 A1 11/2012 Cohen
 2013/0140340 A1* 6/2013 Knapp A47K 10/3818
 225/46
 2014/0096717 A1 4/2014 Springs

2014/0158810 A1 6/2014 Cattacin et al.
 2014/0263387 A1 9/2014 Muehl et al.
 2015/0004810 A1 1/2015 Song et al.
 2015/0122937 A1 5/2015 Marietta-Tondin et al.
 2016/0303002 A1 10/2016 Cunningham et al.
 2020/0375414 A1* 12/2020 Albrecht A47K 10/3818

FOREIGN PATENT DOCUMENTS

CN 102621473 A 8/2012
 CN 104627543 A 5/2015
 DE 2222357 A1 11/1973
 DE 2818757 A1 11/1979
 DE 4006987 A1 9/1991
 DE 102014006220 A1 11/2015
 DE 102014006220 B4 12/2015
 EP 0107487 A1 2/1984
 EP 0128127 A2 12/1984
 EP 0550863 A1 7/1993
 EP 1289398 B1 3/2003
 EP 1317202 B1 6/2003
 EP 1333744 A1 8/2003
 EP 1366699 B1 12/2003
 EP 1401733 B1 3/2004
 EP 1881778 A1 1/2008
 EP 1938728 B1 5/2008
 EP 2394551 A1 12/2011
 EP 2448460 B1 5/2012
 EP 2648575 A1 10/2013
 EP 2941989 B1 11/2015
 FR 2667854 A1 4/1992
 FR 2669818 A1 6/1992
 GB 956622 A 4/1964
 GB 1455216 A 11/1976
 GB 1472366 A 5/1977
 GB 2038778 A 7/1980
 GB 2063213 A 6/1981
 GB 2120639 A 12/1983
 GB 2145693 A 4/1985
 GB 2270299 A 3/1994
 JP 5390323 B2 1/2014
 KR 100942323 B1 2/2010
 MX 289341 6/2005
 MX 327914 6/2005
 RU 2401044 C2 10/2010
 WO 00/02475 1/2000
 WO 02/38019 A1 5/2002
 WO 2005/005295 A1 1/2005
 WO 2006/098664 A1 9/2006
 WO 2006124429 A1 11/2006
 WO 2009/109723 A1 9/2009
 WO 2010/054063 A1 5/2010
 WO 2010/064961 A1 6/2010
 WO 2010/068590 A1 6/2010
 WO 2011/002361 A1 1/2011
 WO 2013/085493 A1 6/2013
 WO 2013/177100 A2 11/2013
 WO 2014/001999 A2 1/2014
 WO 2014/031048 A1 2/2014
 WO 2014/097077 A1 6/2014
 WO 2015/084880 A1 6/2015
 WO 2015166031 A1 11/2015
 WO 2016/018202 A1 2/2016
 WO 2016124848 A1 8/2016

* cited by examiner

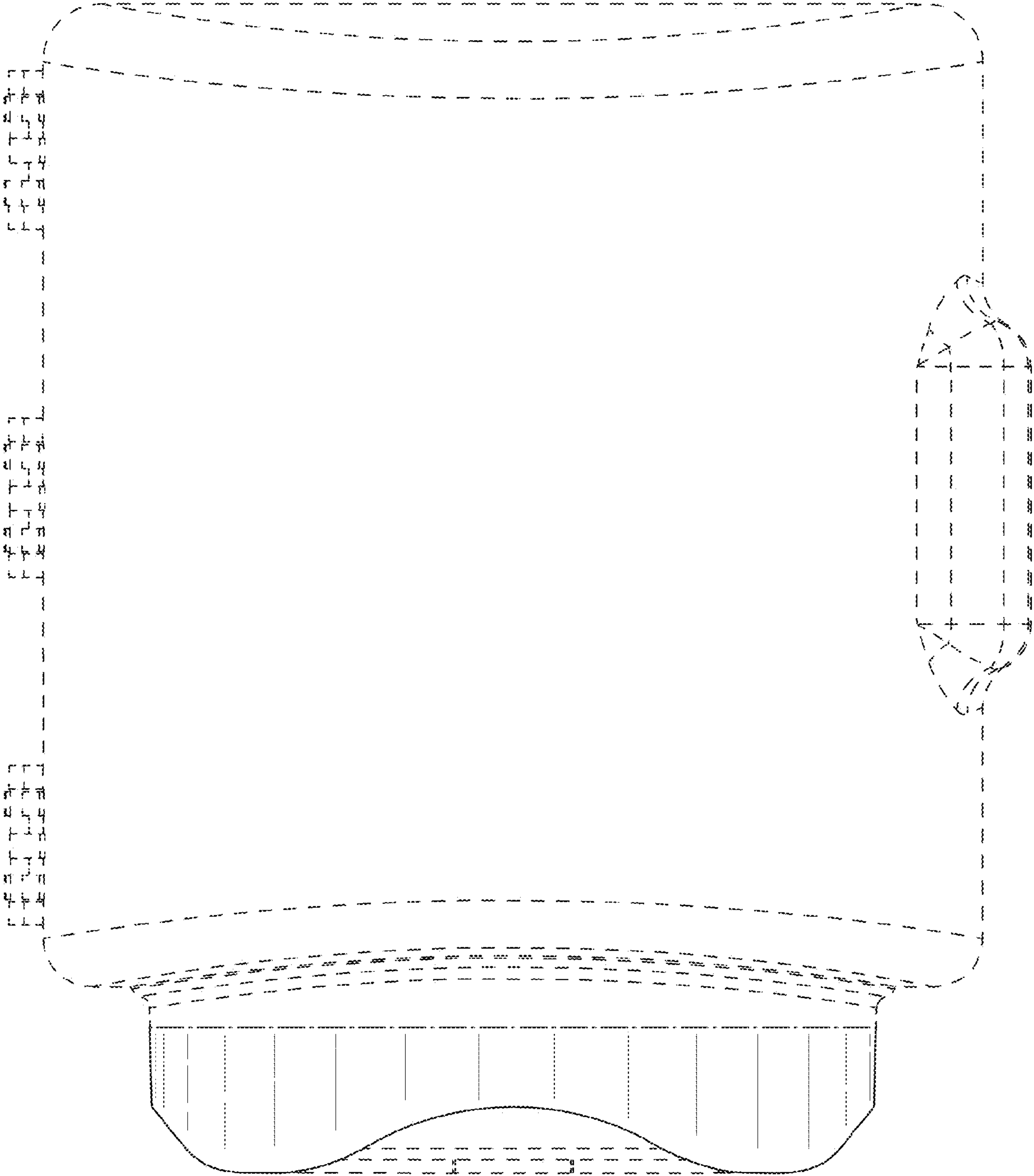


FIG. 1

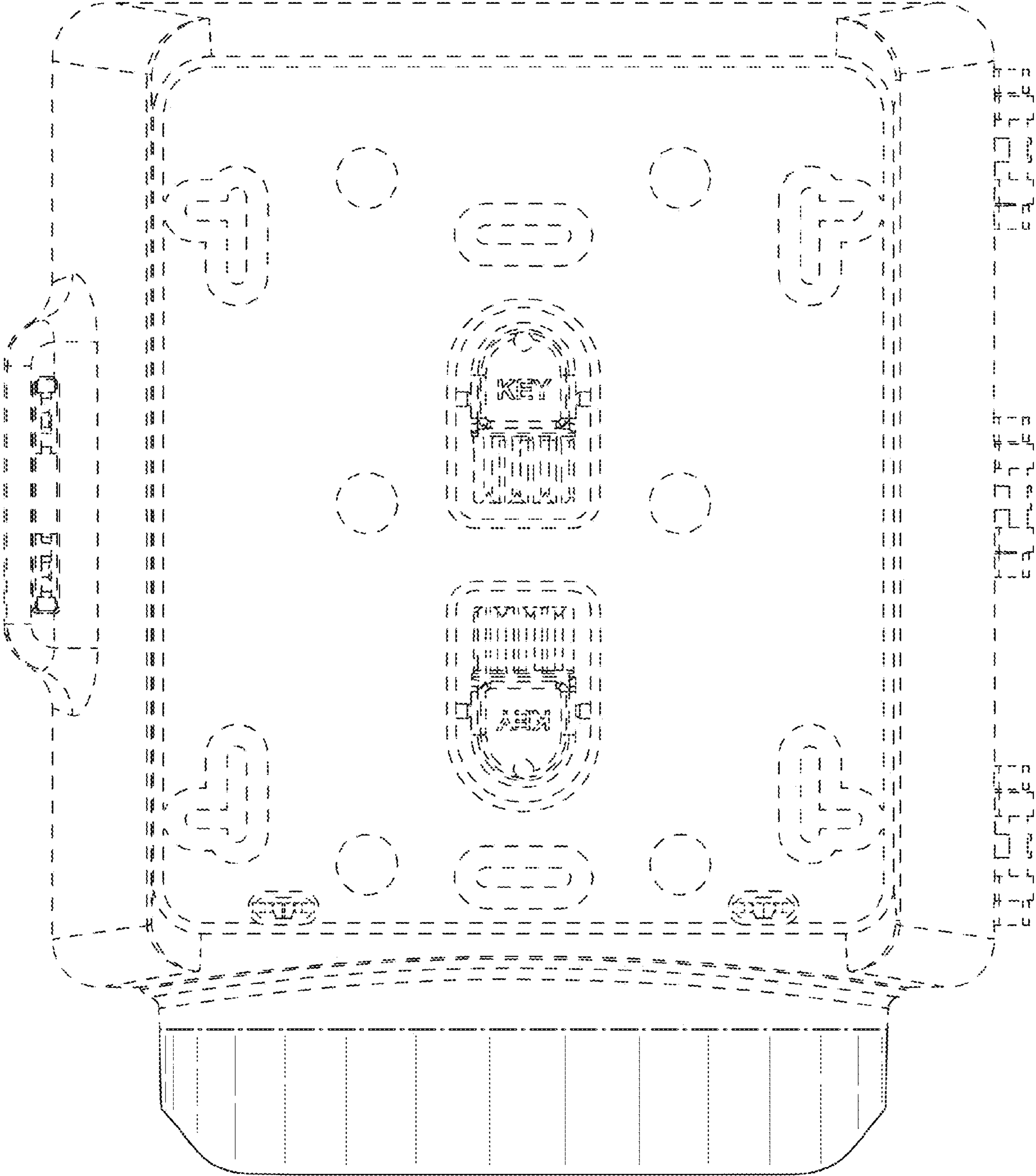


FIG. 2

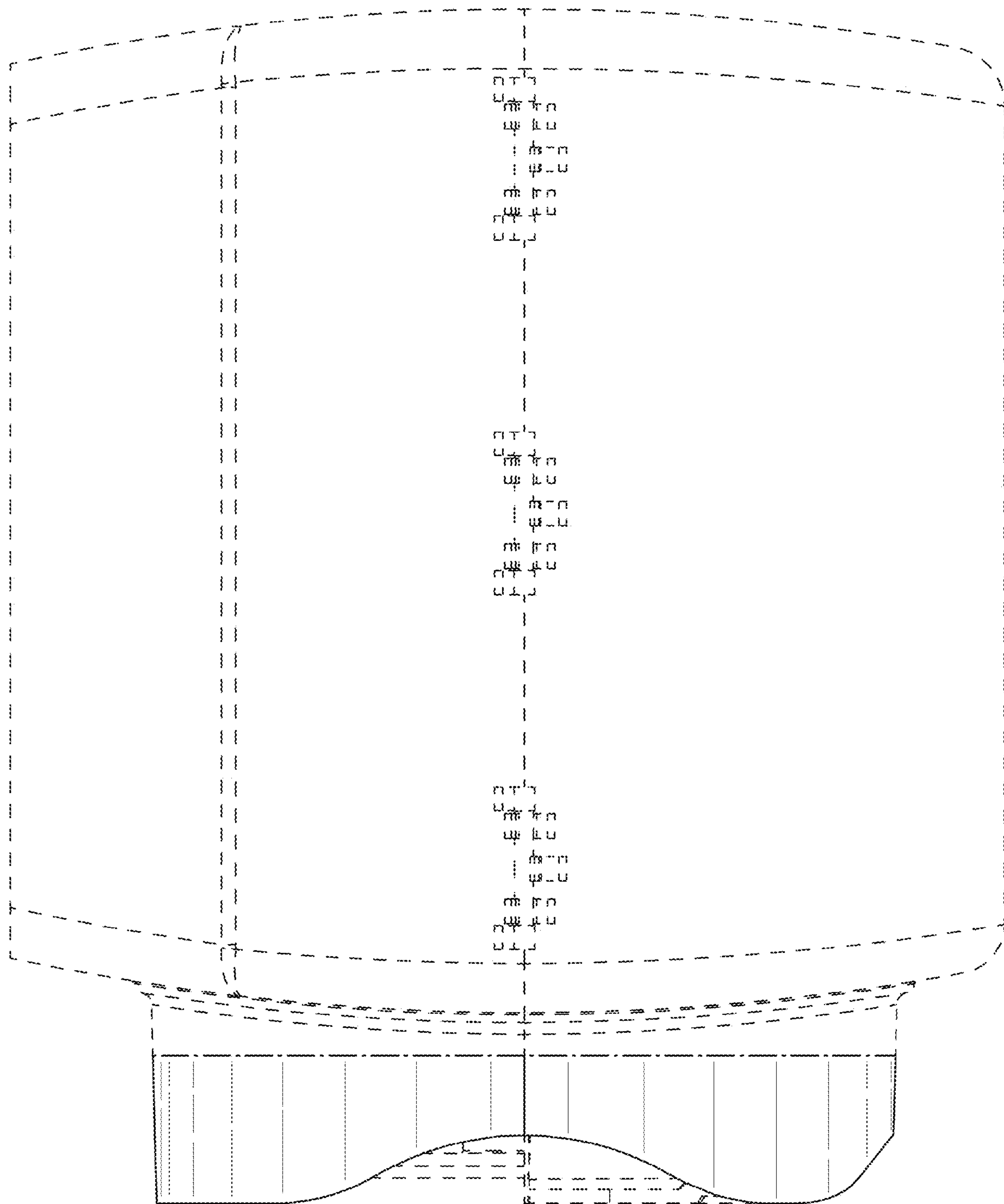


FIG. 3

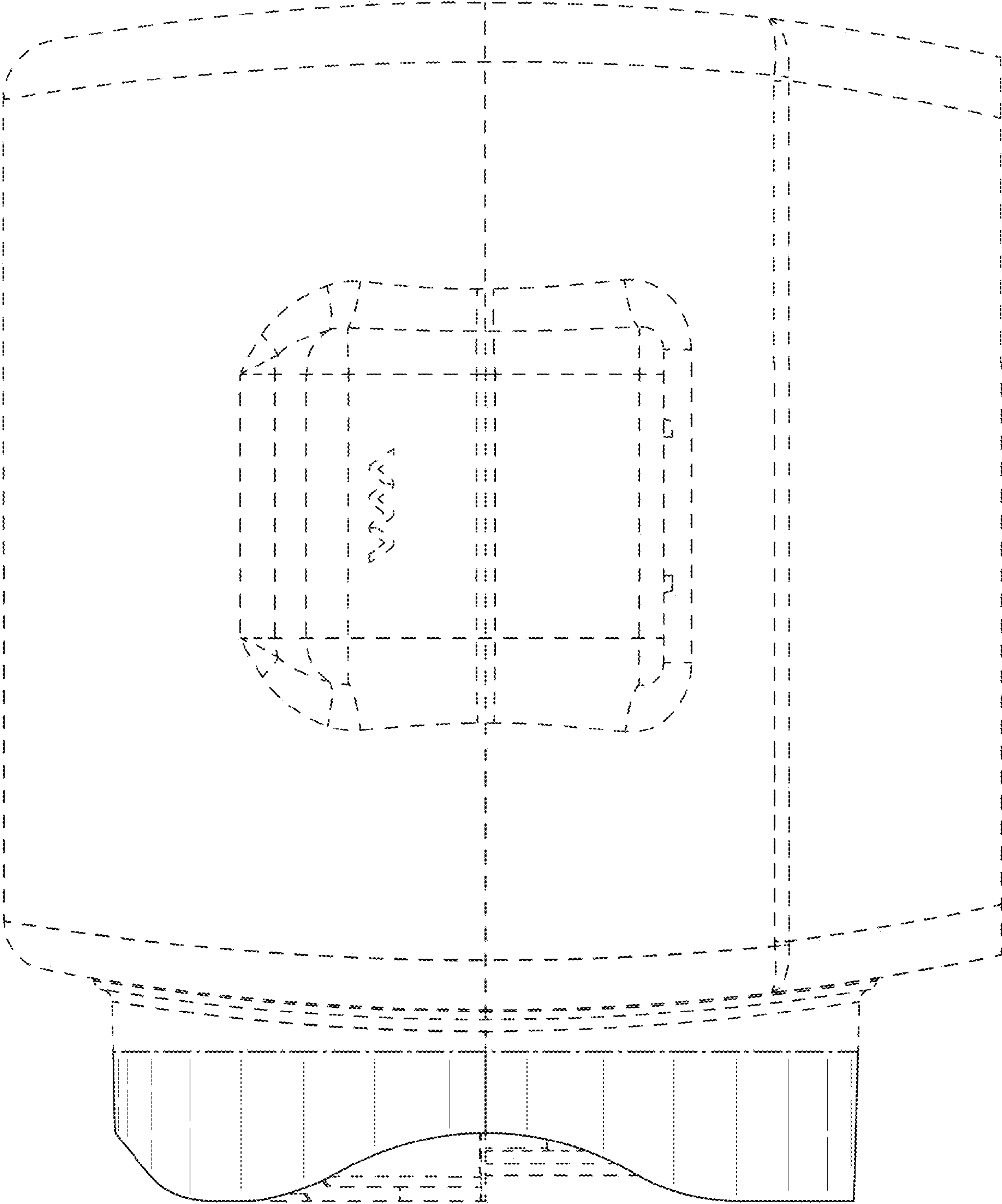


FIG. 4

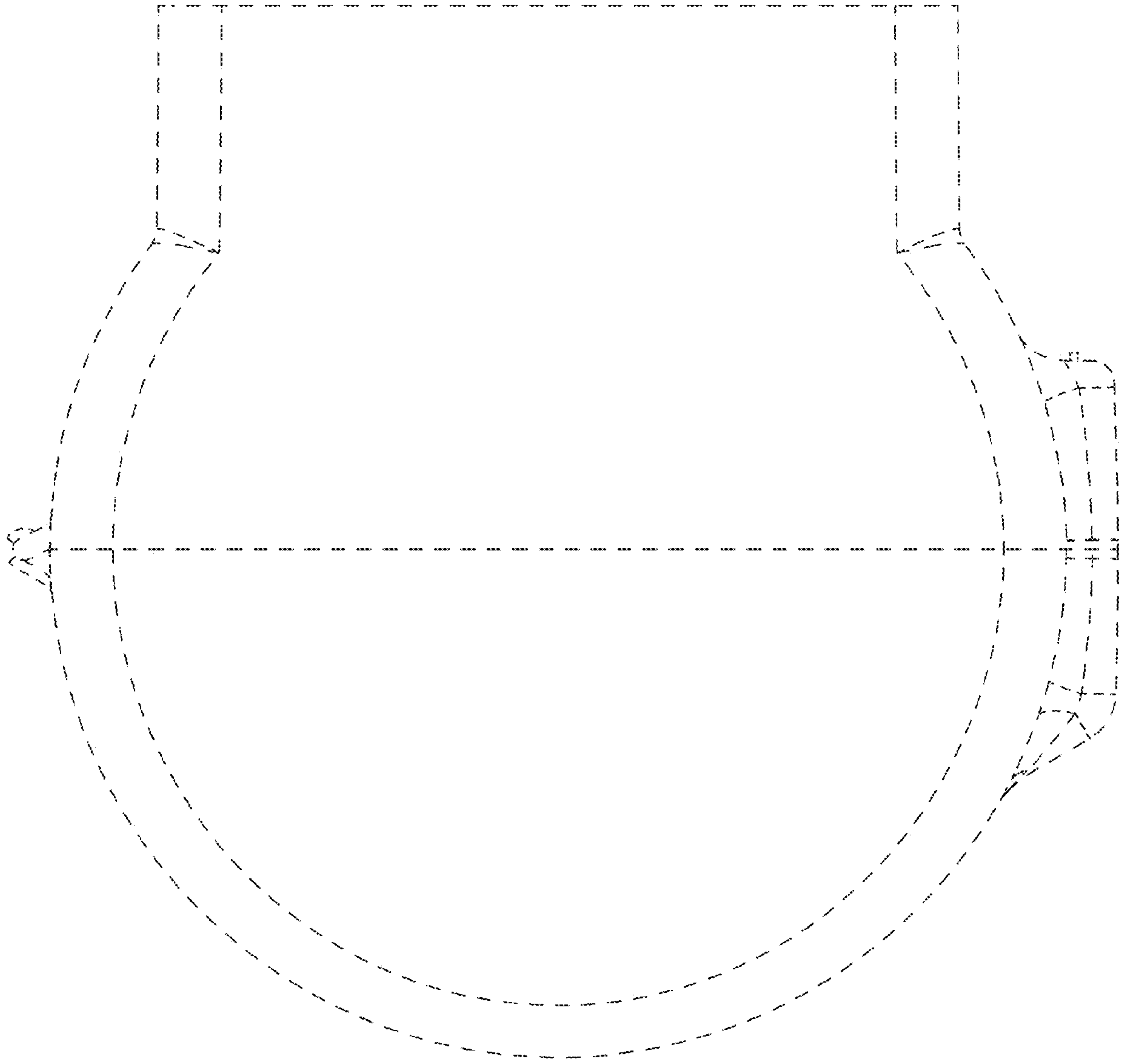


FIG. 5

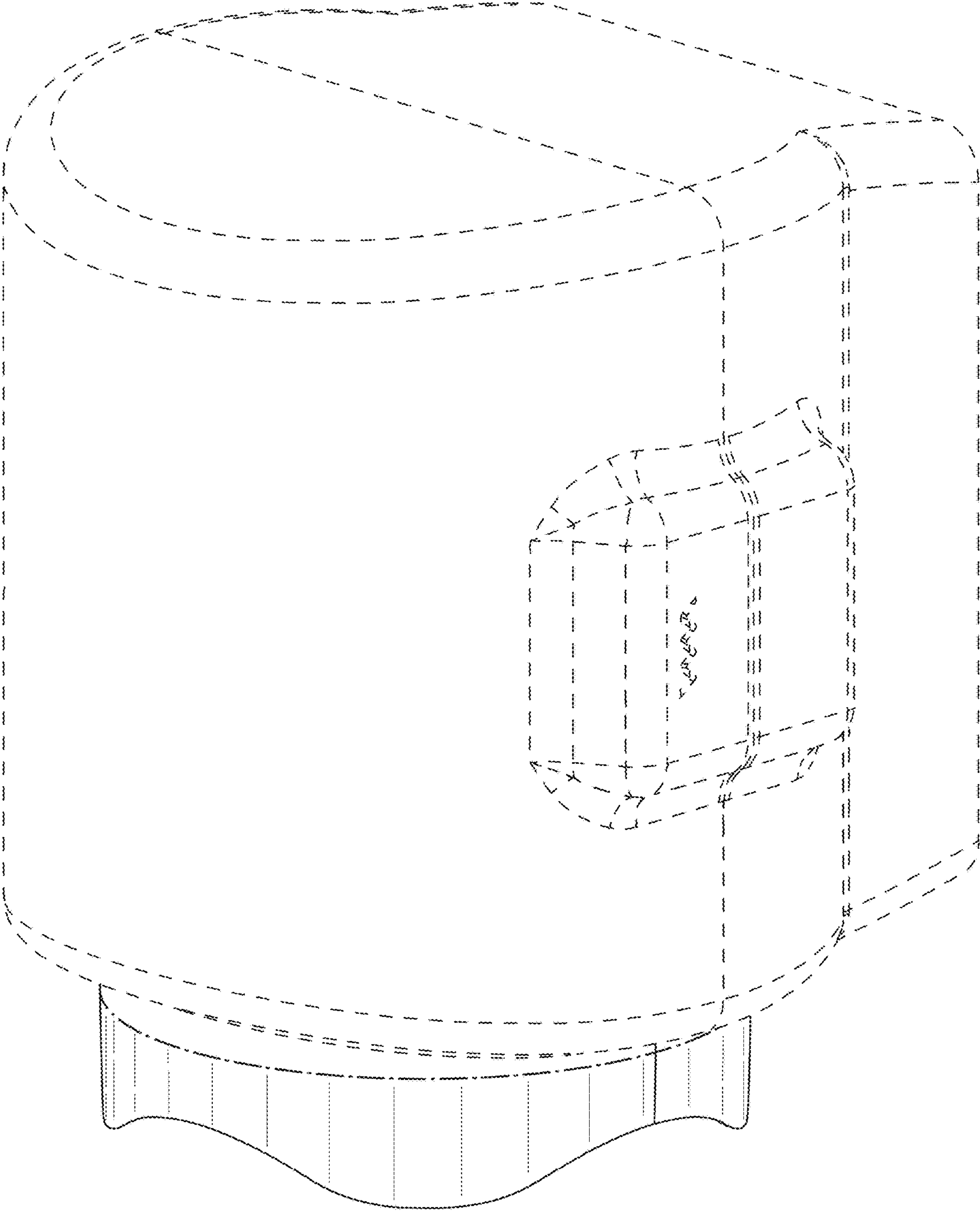


FIG. 6

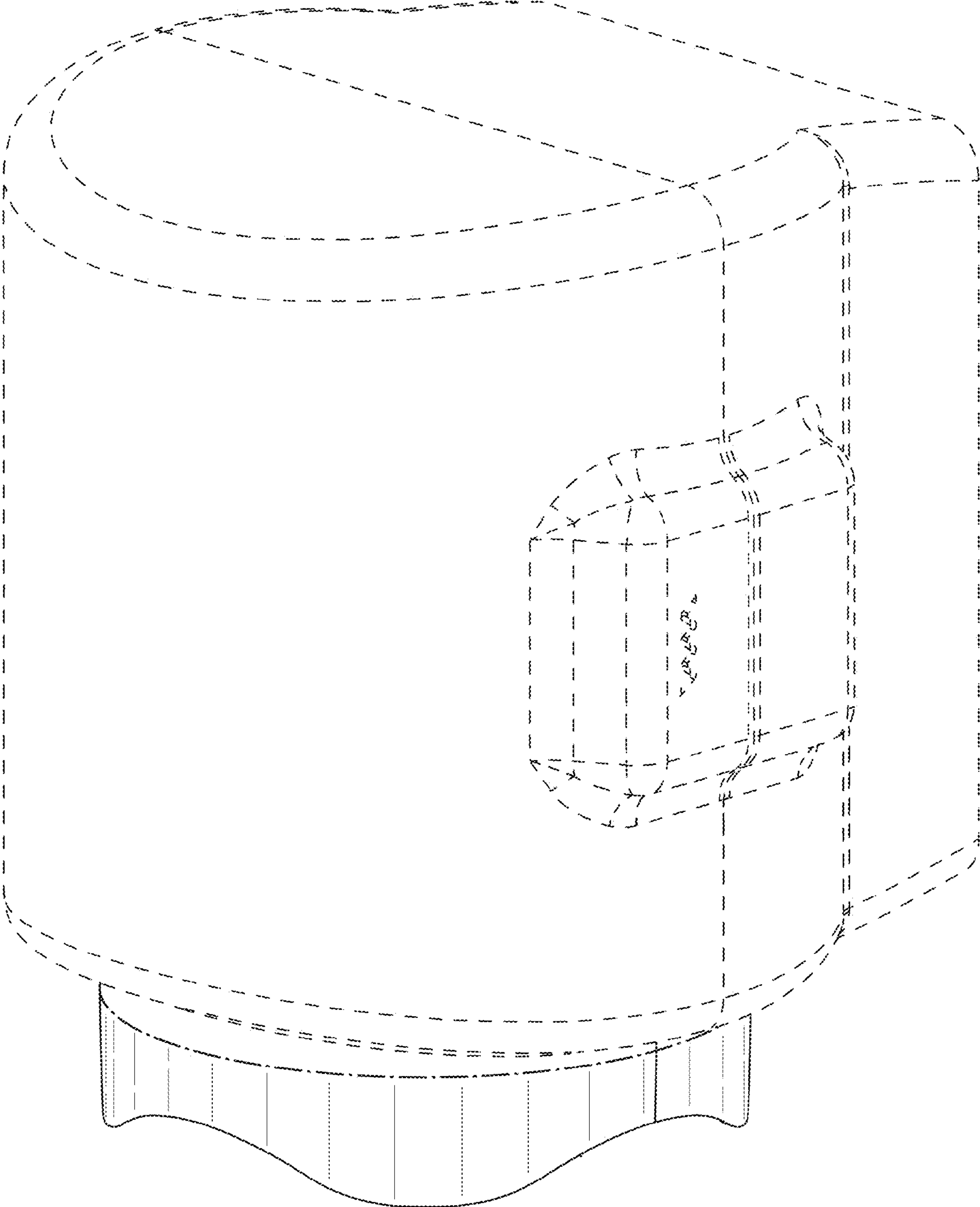


FIG. 7