



US00D984823S

(12) **United States Design Patent** (10) **Patent No.:** **US D984,823 S**
Hu (45) **Date of Patent:** **** May 2, 2023**

(54) **CARE BED**
(71) Applicant: **Yajun Hu**, El Dorado Hills, CA (US)
(72) Inventor: **Yajun Hu**, El Dorado Hills, CA (US)
(73) Assignees: **Yajun Hu**, El Dorado Hills, CA (US);
EUREKA LLC, EL Dorado Hills, CA (US)

D906,717 S 1/2021 Sumlin
D906,718 S 1/2021 Sumlin
D911,058 S 2/2021 Bertil et al.
D911,060 S 2/2021 Machado
D913,719 S 3/2021 Jonsson
D917,196 S 4/2021 Shen
D975,465 S * 1/2023 van den Broek D6/390
(Continued)

(**) Term: **15 Years**
(21) Appl. No.: **29/781,131**

CN 306657856 * 7/2021
CN 306829148 * 9/2021
(Continued)

(22) Filed: **Apr. 28, 2021**
(51) **LOC (14) Cl.** **06-02**
(52) **U.S. Cl.**
USPC **D6/390**
(58) **Field of Classification Search**
USPC D6/390, 391, 392, 383, 384; D24/183,
D24/185
CPC ... A47D 7/00; A47D 7/02; A47D 7/03; A61G
7/002; A61G 7/005; A61G 7/0507; A61G
11/00; A61G 11/005
See application file for complete search history.

FOREIGN PATENT DOCUMENTS

OTHER PUBLICATIONS

Pediatric Crib Pediatric Mattress Deck, posted unknown [online],
[retrieved Feb. 16, 2023]. Retrieved from internet, <https://www.aaawholesalecompany.com/ped-33724-ea.html> (Year: 2023).*
(Continued)

Primary Examiner — Kevin K Rudzinski
Assistant Examiner — Jeremy S. Swartz

(57) **CLAIM**

The ornamental design for a care bed, as shown and described.

(56) **References Cited**

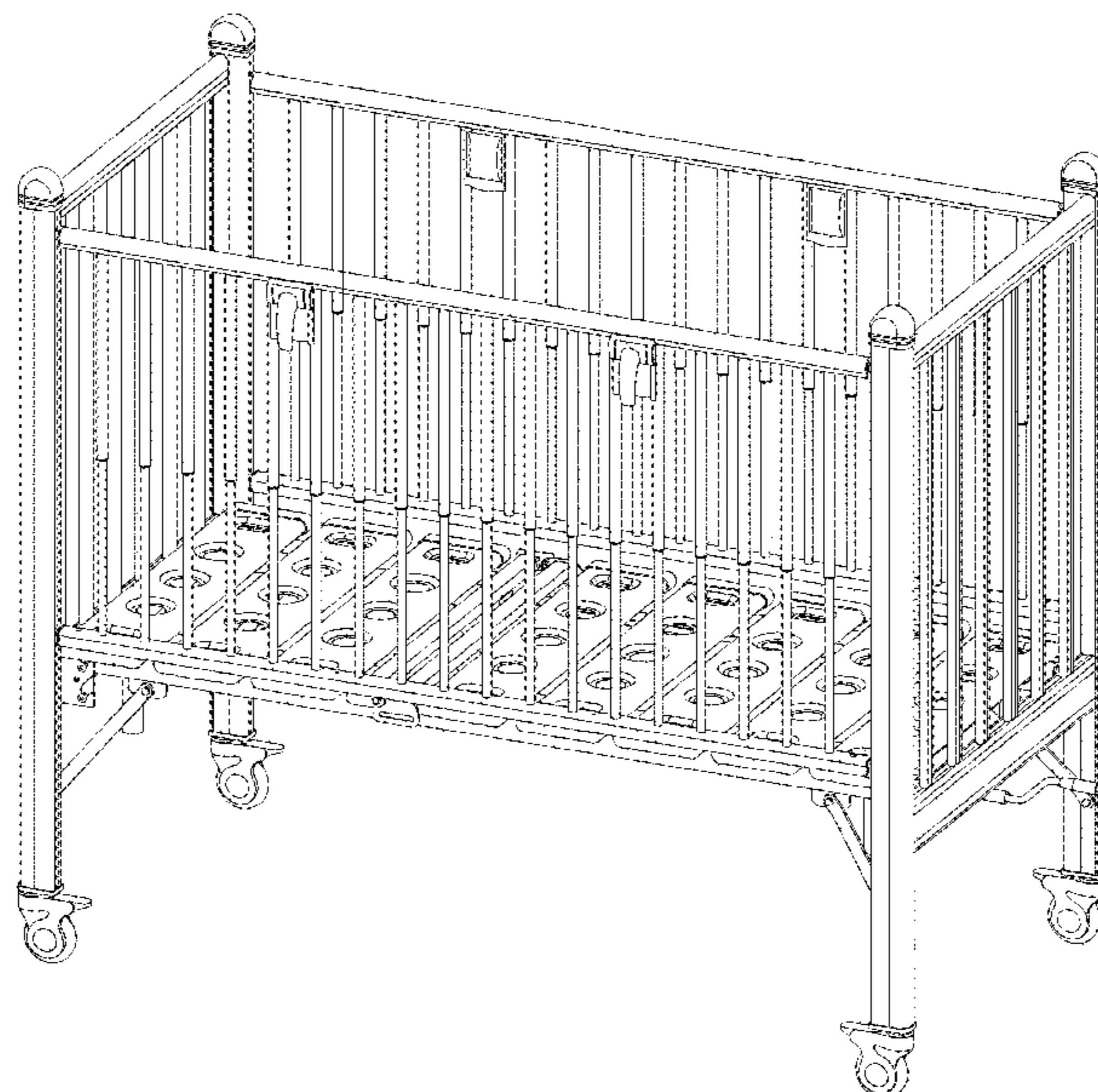
U.S. PATENT DOCUMENTS

4,959,878 A * 10/1990 Essek A61G 7/0526
5/93.1
5,926,870 A * 7/1999 Branca-Barnes A47D 7/02
5/100
D445,591 S * 7/2001 Zorzetto D6/390
D466,326 S * 12/2002 Thomas D6/390
D595,073 S * 6/2009 Houry D6/390
D602,280 S * 10/2009 Hagstrom D6/390
D677,929 S * 3/2013 Draheim D6/390
D761,035 S * 7/2016 Evans D6/390
D836,935 S * 1/2019 Aylmer D6/391
D899,130 S 10/2020 Dolk et al.
10,821,039 B2 11/2020 He et al.

DESCRIPTION

FIG. 1 is a perspective view one of a care bed, showing my new design;
FIG. 2 is a perspective view two when in use thereof;
FIG. 3 is a front view thereof;
FIG. 4 is a bottom view thereof;
FIG. 5 is a top view thereof;
FIG. 6 is a rear view thereof;
FIG. 7 is a left side view thereof; and,
FIG. 8 is a right side view thereof.

1 Claim, 8 Drawing Sheets



(56)

References Cited

U.S. PATENT DOCUMENTS

2008/0066230 A1* 3/2008 Hallock A61G 7/051
5/425
2013/0097778 A1* 4/2013 Serhan A61G 7/0507
5/430

FOREIGN PATENT DOCUMENTS

CN 307305990 * 5/2022
CN 307649271 * 11/2022

OTHER PUBLICATIONS

WT985 Pediatric Crib Bed, posted unknown [online], [retrieved Feb. 16, 2023]. Retrieved from internet, http://72.167.102.107/product_WT985.html (Year: 2023).*

Home Care Stockton Bed, posted unknown [online], [retrieved Feb. 16, 2023]. Retrieved from internet, <https://www.hardmfg.com/product/home-care-stockton-bed/> (Year: 2023).*

* cited by examiner

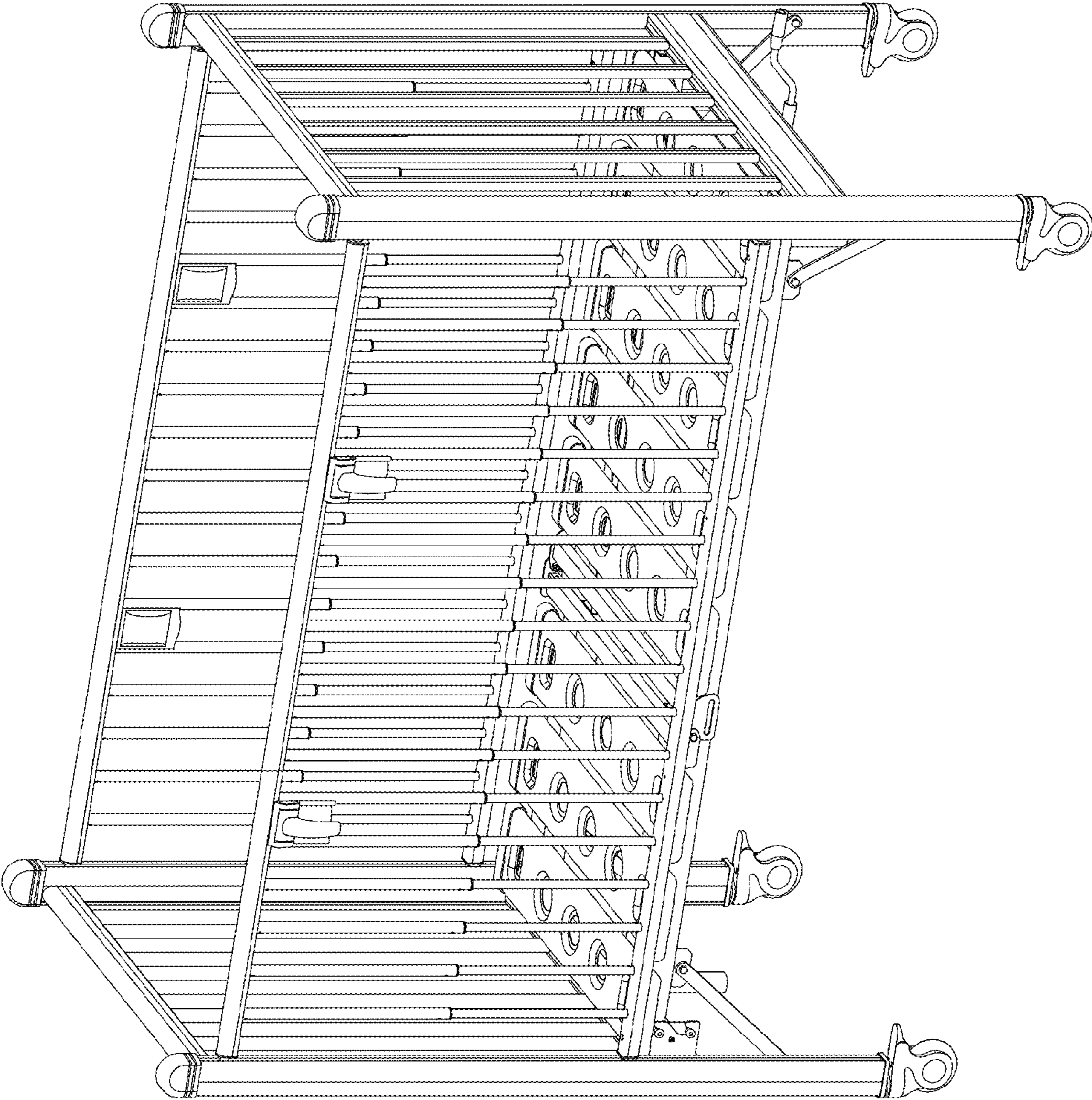


FIG.1

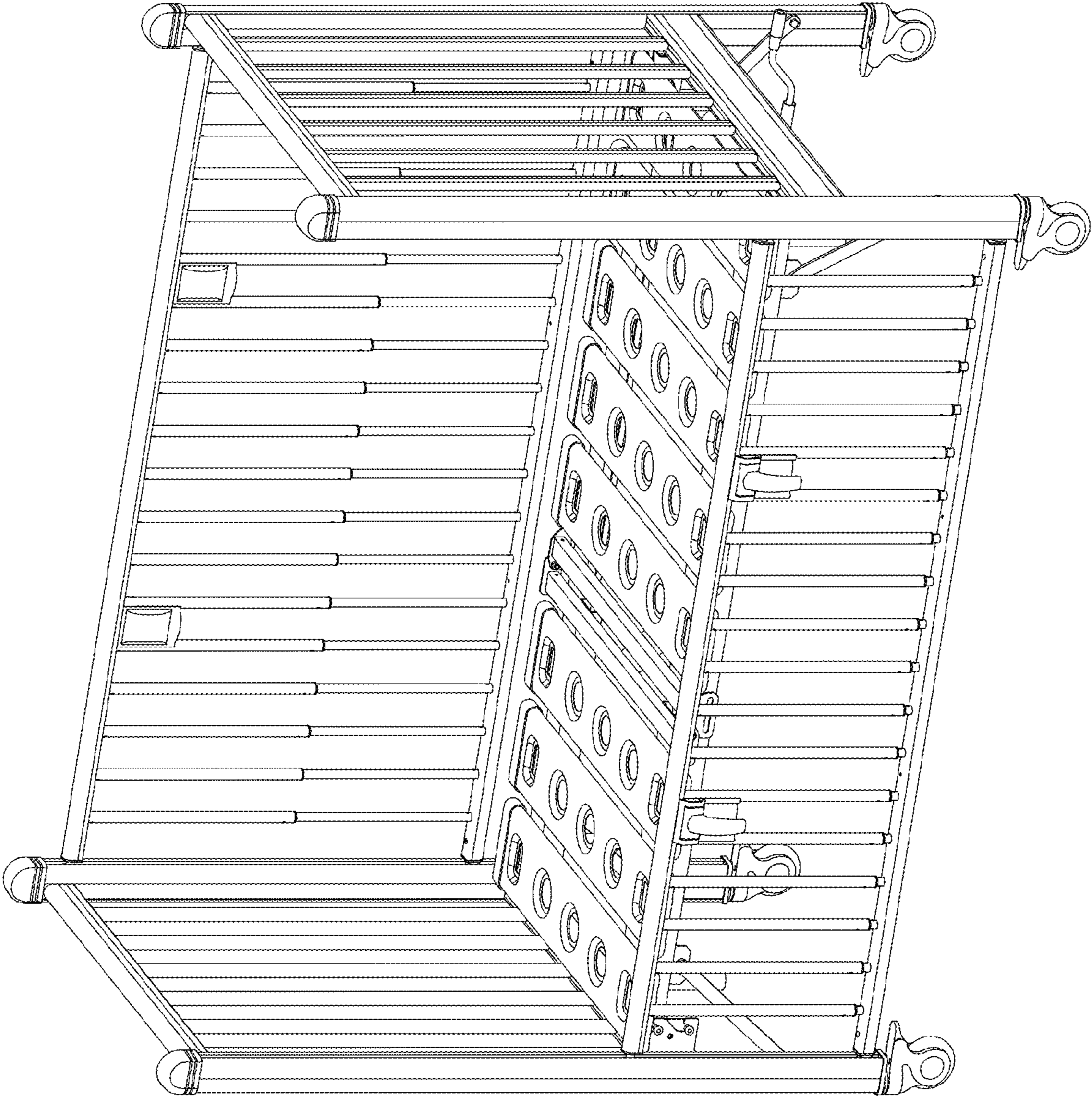


FIG.2

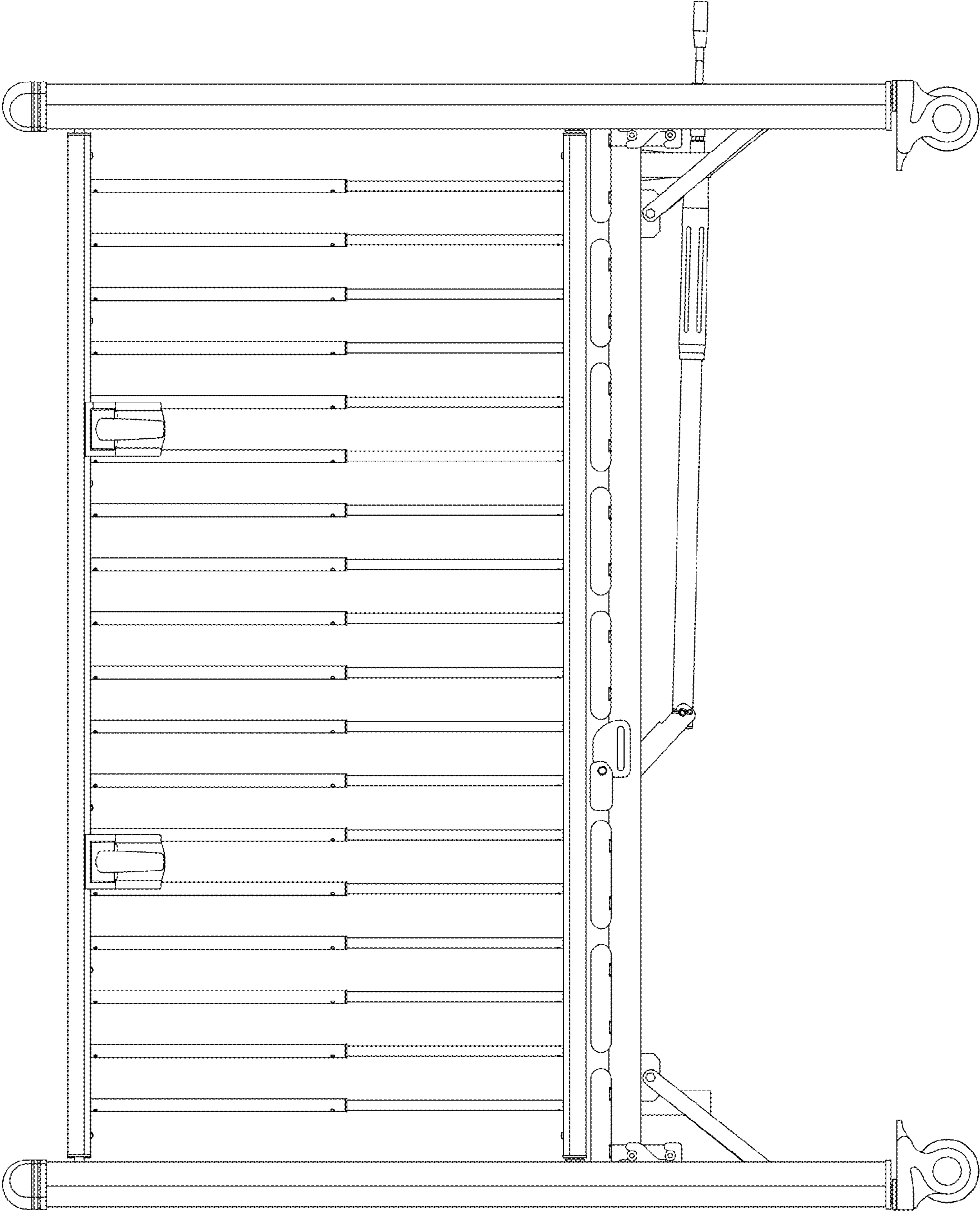


FIG.3

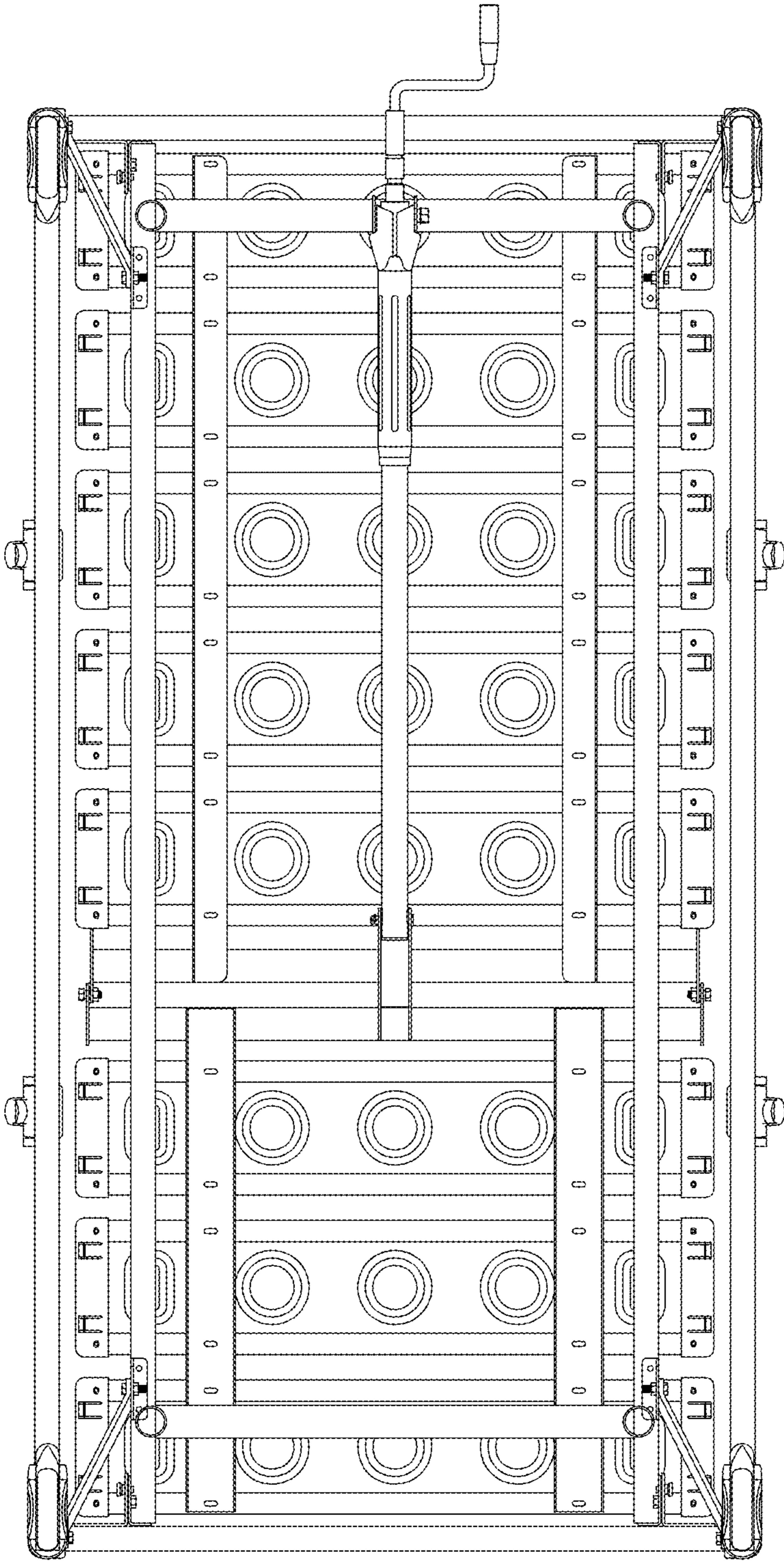


FIG.4

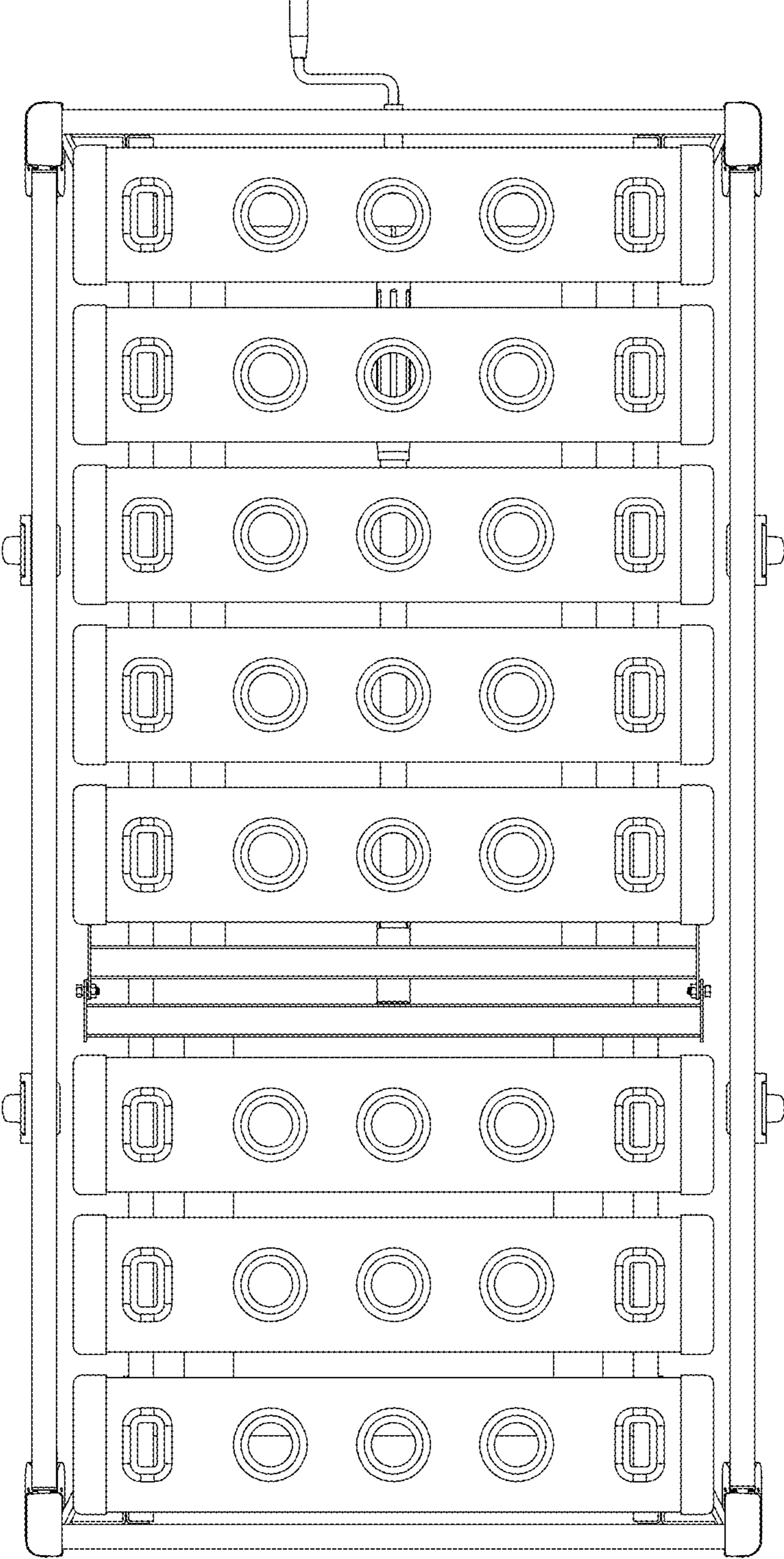


FIG.5

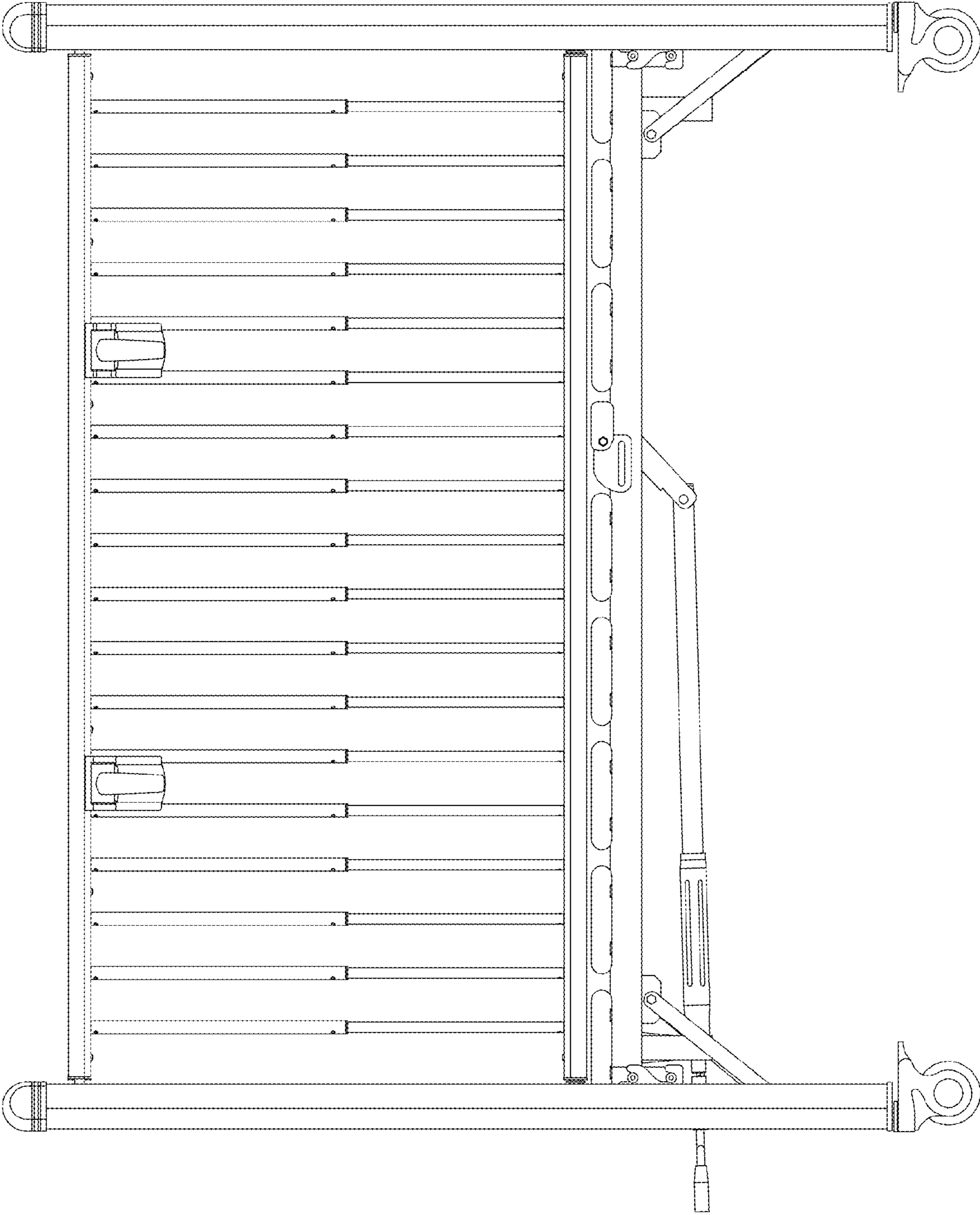


FIG.6

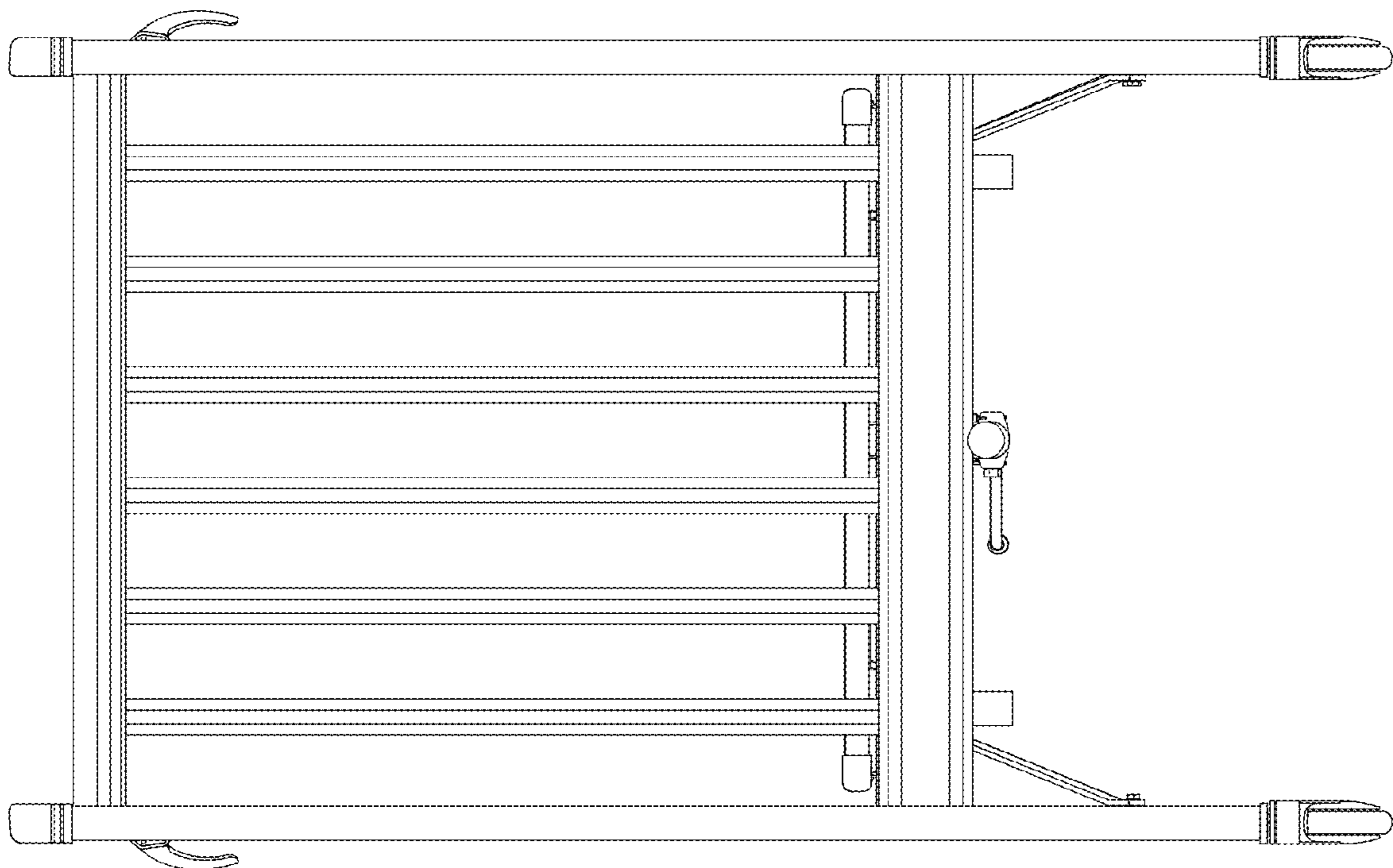


FIG.7

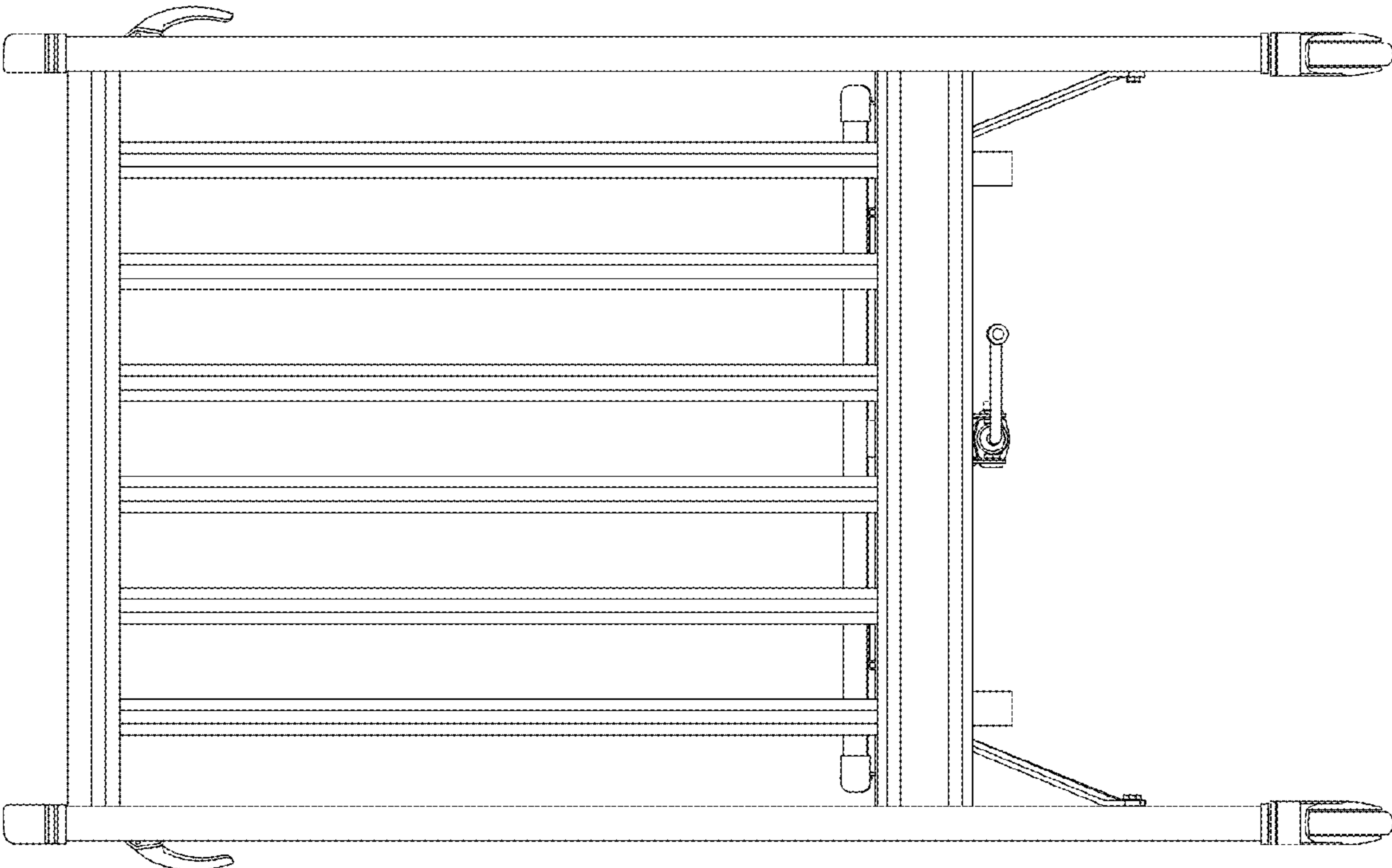


FIG.8