



US00D984819S

(12) **United States Design Patent**
Hamdan

(10) **Patent No.:** **US D984,819 S**

(45) **Date of Patent:** **** May 2, 2023**

(54) **COUCH**
(71) Applicant: **TECNOPIU' SRL**, Monza (IT)
(72) Inventor: **Jwana Hamdan**, Monza (IT)
(73) Assignee: **TECNOPIU' SRL**, Monza (IT)

(**) Term: **15 Years**
(21) Appl. No.: **35/513,876**

(22) Filed: **Mar. 10, 2022**

(80) **Hague Agreement Data**

Int. Filing Date: **Mar. 10, 2022**
Int. Reg. No.: **DM/219576**
Int. Reg. Date: **Mar. 10, 2022**
Int. Reg. Pub. Date: **Mar. 25, 2022**

(51) **LOC (14) Cl.** **06-01**

(52) **U.S. Cl.**
USPC **D6/377**

(58) **Field of Classification Search**
USPC D6/361, 377, 378, 381; D30/118
CPC .. A47C 3/14; A47C 3/16; A47C 4/028; A47C
4/54; A47C 5/12; A47C 5/125; A47C
17/00; A47C 17/02; A47C 17/04
See application file for complete search history.

(56) **References Cited**

U.S. PATENT DOCUMENTS

D180,141 S * 4/1957 Futorian D6/377
D180,183 S * 4/1957 Gera D6/377
D183,413 S * 8/1958 Wilson D6/377
D210,454 S * 3/1968 Kagan D6/374
D228,325 S * 9/1973 Korch D6/377
4,437,704 A * 3/1984 Hovsepian A47C 4/02
297/440.17
D288,507 S * 3/1987 Evans D6/383
D321,797 S * 11/1991 Paris D6/381
D414,003 S * 9/1999 Hering D30/118

D427,445 S * 7/2000 Gomez D6/377
6,779,211 B1 * 8/2004 Williams A47D 13/08
5/640
D508,615 S * 8/2005 Natuzzi D6/361
D514,349 S * 2/2006 Natuzzi D6/381
D555,383 S * 11/2007 Borgonovo D6/381
D562,022 S * 2/2008 Hackethal D6/381
D574,162 S * 8/2008 Hoppert D6/381
D588,390 S * 3/2009 Brill-Cass D6/601
D591,071 S * 4/2009 Weiss D6/381
D685,531 S * 7/2013 Wozniak D6/601
D698,172 S * 1/2014 Ciani D6/377
D701,704 S * 4/2014 Maier D6/377
D736,535 S * 8/2015 Foersom D6/377
D764,825 S * 8/2016 Grcic D6/375
D850,137 S * 6/2019 Lissoni D6/377
D858,131 S * 9/2019 Celestino D6/381
D863,810 S * 10/2019 Citterio D6/377
D863,812 S * 10/2019 Citterio D6/377
D871,791 S * 1/2020 Carter D6/377

(Continued)

Primary Examiner — Kevin K Rudzinski

Assistant Examiner — Paul D Bohannon

(74) *Attorney, Agent, or Firm* — ArentFox Schiff LLP

(57) **CLAIM**

The ornamental design for a couch, as shown and described.

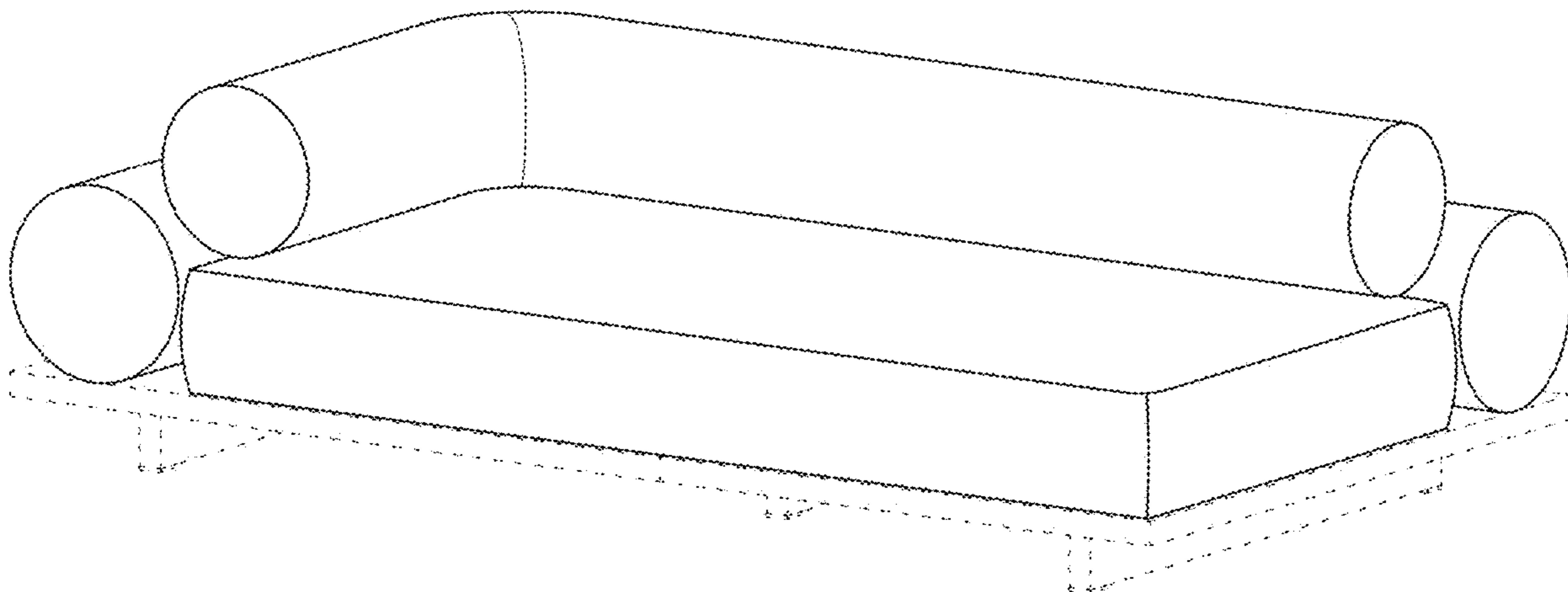
DESCRIPTION

- 1. Couch
- 1.1 : Perspective
- 1.2 : Rear view
- 1.3 : First side view
- 1.4 : Front
- 1.5 : Second side view
- 1.6 : Top
- 1.7 : Bottom

Couch having a back portion formed by two cylindrical cushions.

The broken lines shown in the drawings illustrate portions of the article that form no part of the claimed design.

1 Claim, 7 Drawing Sheets



(56)

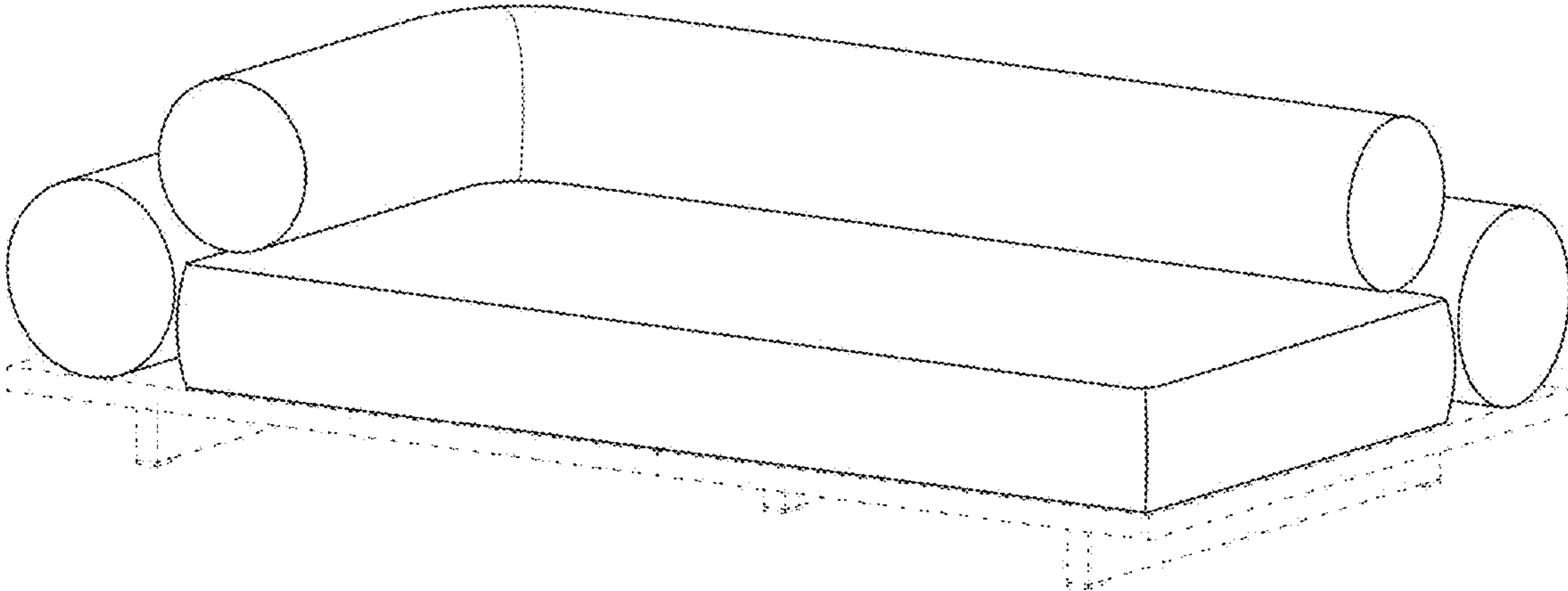
References Cited

U.S. PATENT DOCUMENTS

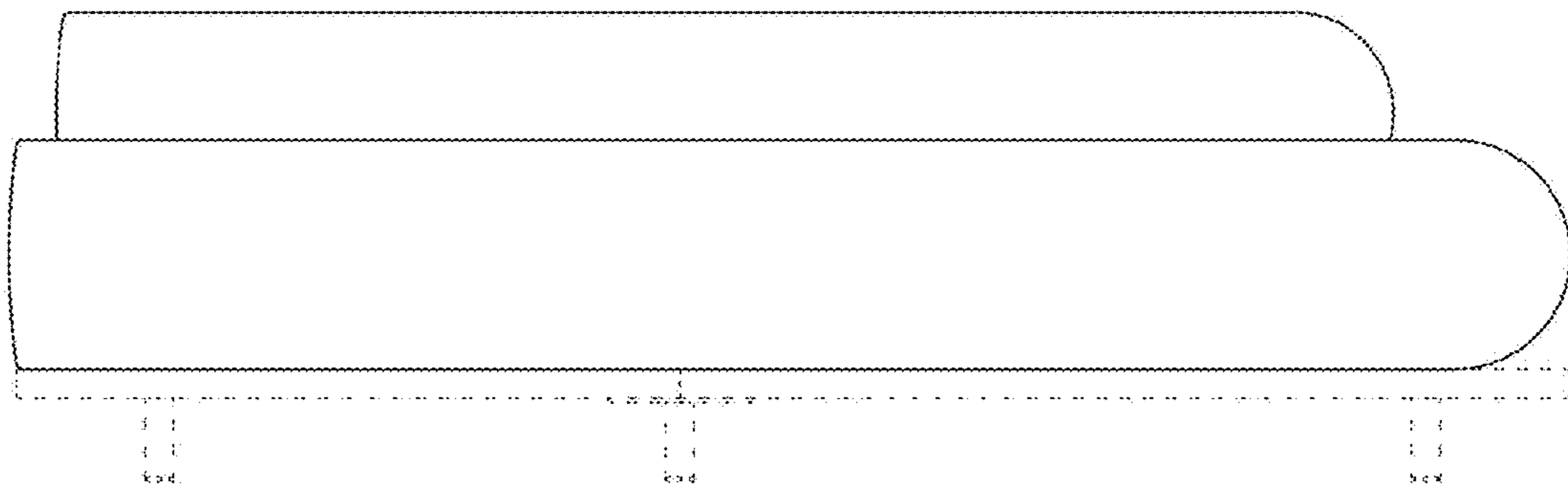
D878,795 S *	3/2020	Lipparini	D6/377
D878,796 S *	3/2020	Gabbertas	D6/378
D878,797 S *	3/2020	Killinger	D6/381
D885,075 S *	5/2020	Dorner	D6/377
D887,163 S *	6/2020	Grossinger	D6/381
D887,164 S *	6/2020	Grossinger	D6/381
D888,446 S *	6/2020	Grossinger	D6/357
D888,448 S *	6/2020	Grossinger	D6/381
D888,457 S *	6/2020	Grossinger	D6/381
D897,715 S *	10/2020	Smrstick	D6/377
D933,989 S *	10/2021	Binfarè	D6/377
D938,185 S *	12/2021	Citterio	D6/381
D960,603 S *	8/2022	Højfeldt	D6/377

* cited by examiner

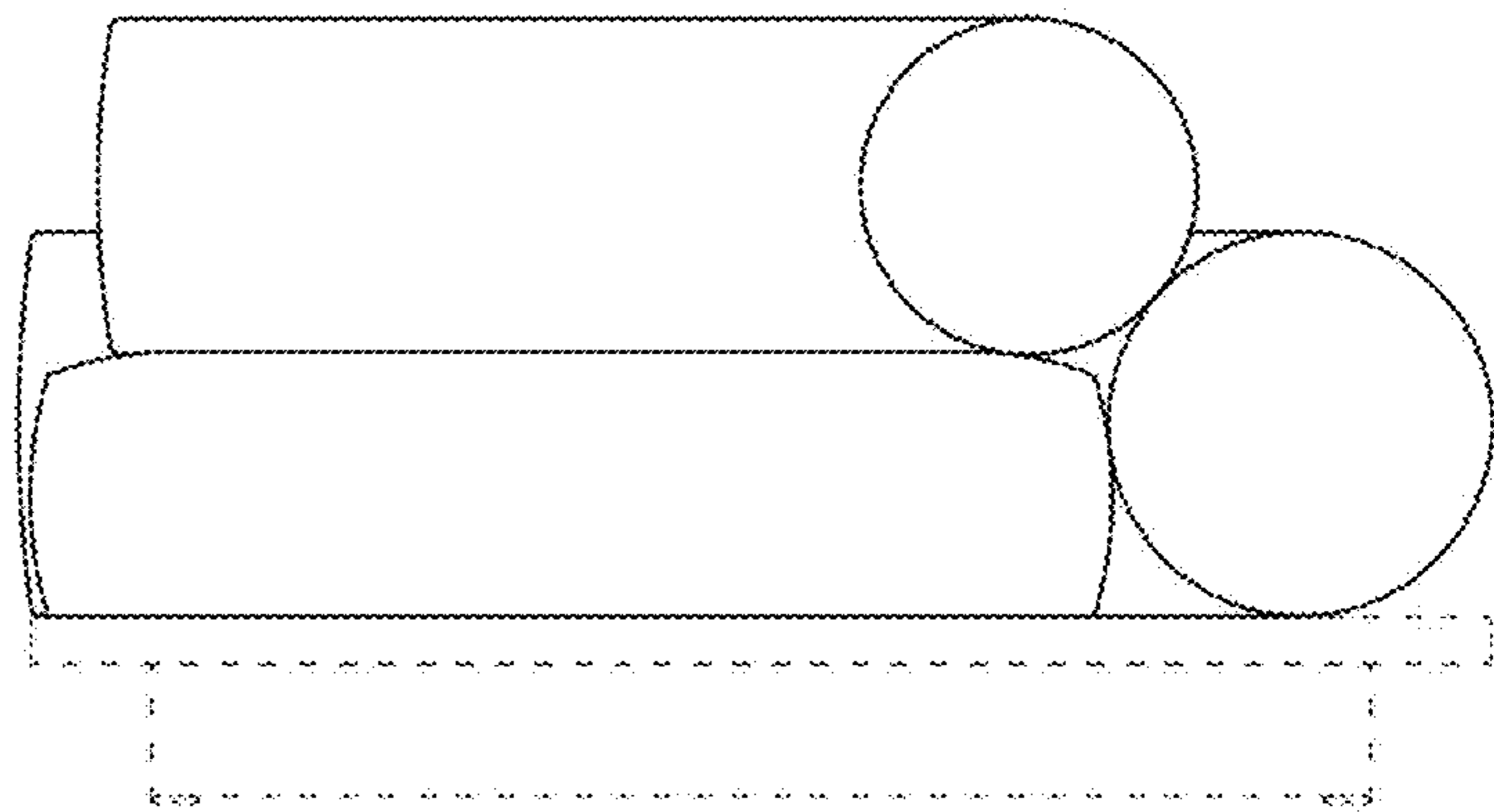
1.1



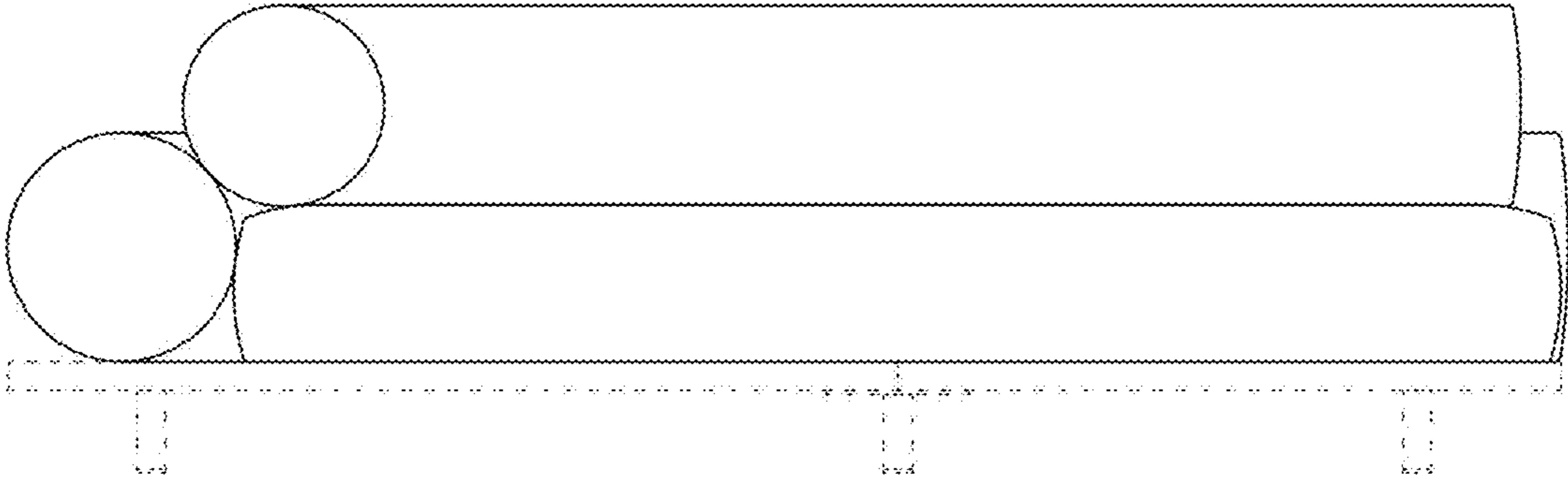
1.2



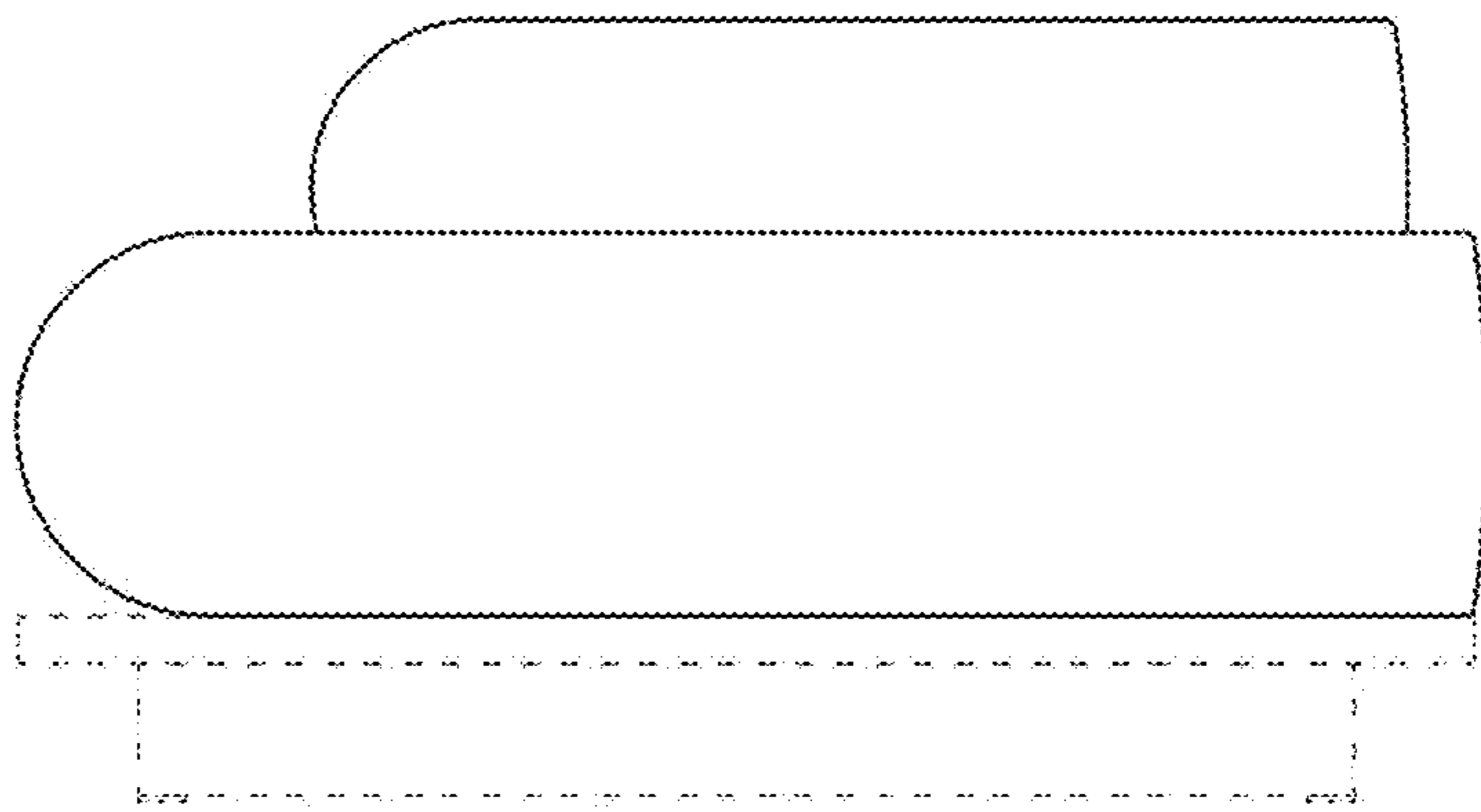
1.3



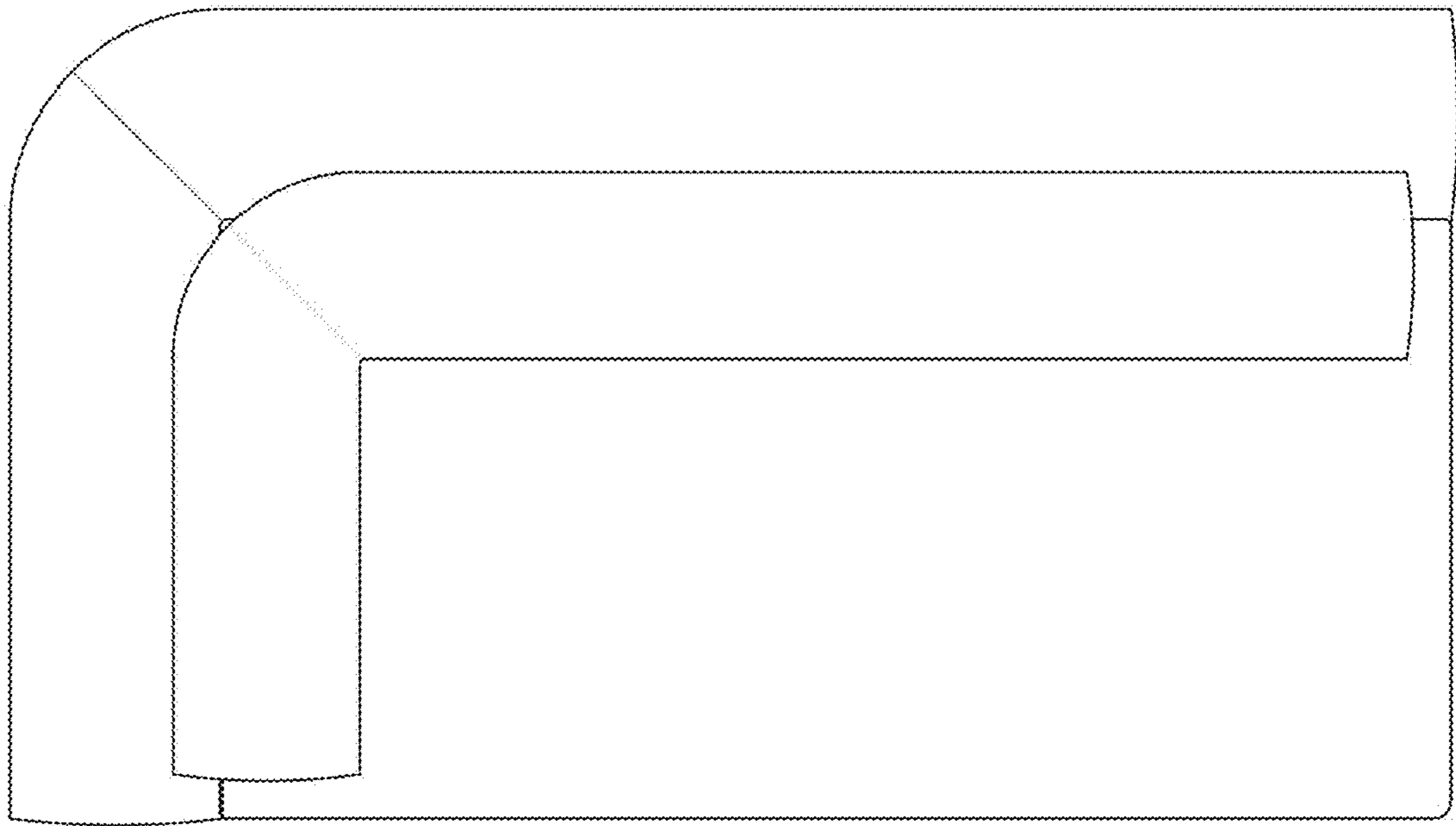
1.4



1.5



1.6



1.7

