



US00D984817S

(12) **United States Design Patent**  
**Sun**

(10) **Patent No.:** **US D984,817 S**

(45) **Date of Patent:** **\*\* May 2, 2023**

(54) **GAMING CHAIR**

(71) Applicant: **Hua Sun**, Jinhua (CN)

(72) Inventor: **Hua Sun**, Jinhua (CN)

(\*\*) Term: **15 Years**

(21) Appl. No.: **29/856,560**

(22) Filed: **Oct. 14, 2022**

(30) **Foreign Application Priority Data**

Apr. 15, 2022 (CN) ..... 202230212333.6

(51) **LOC (14) Cl.** ..... **06-01**

(52) **U.S. Cl.**  
USPC ..... **D6/366**

(58) **Field of Classification Search**  
USPC ..... D6/334-336, 338, 356, 364-367, 375,  
D6/379, 380, 716-716.5; D21/521, 695  
CPC ..... A47C 7/004; A47C 7/006; A47C 7/18;  
A47C 7/24; A47C 7/38; A47C 7/40;  
B60N 2/02; B60N 2/20; B60N 2/22  
See application file for complete search history.

(56) **References Cited**

**U.S. PATENT DOCUMENTS**

D612,641 S *	3/2010	Smit	.....	D6/366
D827,320 S *	9/2018	Xue	.....	D6/366
D847,526 S *	5/2019	Wang	.....	D6/366
D851,436 S *	6/2019	Shen	.....	D6/366
D851,974 S *	6/2019	Shen	.....	D6/366
D852,563 S *	7/2019	Shen	.....	D6/366
D856,696 S *	8/2019	Shen	.....	D6/366
D859,865 S *	9/2019	Berlinches	.....	D6/366

D879,524 S *	3/2020	Huang	.....	D6/366
D893,910 S *	8/2020	Ko	.....	D6/366
D897,709 S *	10/2020	Li	.....	D6/366
D923,350 S *	6/2021	Chen	.....	D6/366
D934,585 S *	11/2021	Li	.....	D6/366
D934,606 S *	11/2021	Liao	.....	D6/716
D950,259 S *	5/2022	Cai	.....	D6/366
2021/0345786 A1 *	11/2021	Peng	.....	A47C 15/004

**OTHER PUBLICATIONS**

Design 6237138, application date Oct. 13, 2022, country code GB, publication date Nov. 8, 2022, priority date Apr. 15, 2022, owner Hua Sun (Year: 2022).\*

\* cited by examiner

*Primary Examiner* — Mary Ann Calabrese

*Assistant Examiner* — Mark David Wolfley

(74) *Attorney, Agent, or Firm* — Downs Rachlin Martin PLLC

(57) **CLAIM**

The ornamental design for a gaming chair, as shown and described.

**DESCRIPTION**

FIG. 1 is a front, top, left side perspective view of a gaming chair, showing my new design;  
FIG. 2 is a rear, bottom, left side perspective view thereof;  
FIG. 3 is a front view thereof;  
FIG. 4 is a rear view thereof;  
FIG. 5 is a left side view thereof;  
FIG. 6 is a right side view thereof;  
FIG. 7 is a top plan view thereof; and,  
FIG. 8 is a bottom plan view thereof.

**1 Claim, 8 Drawing Sheets**

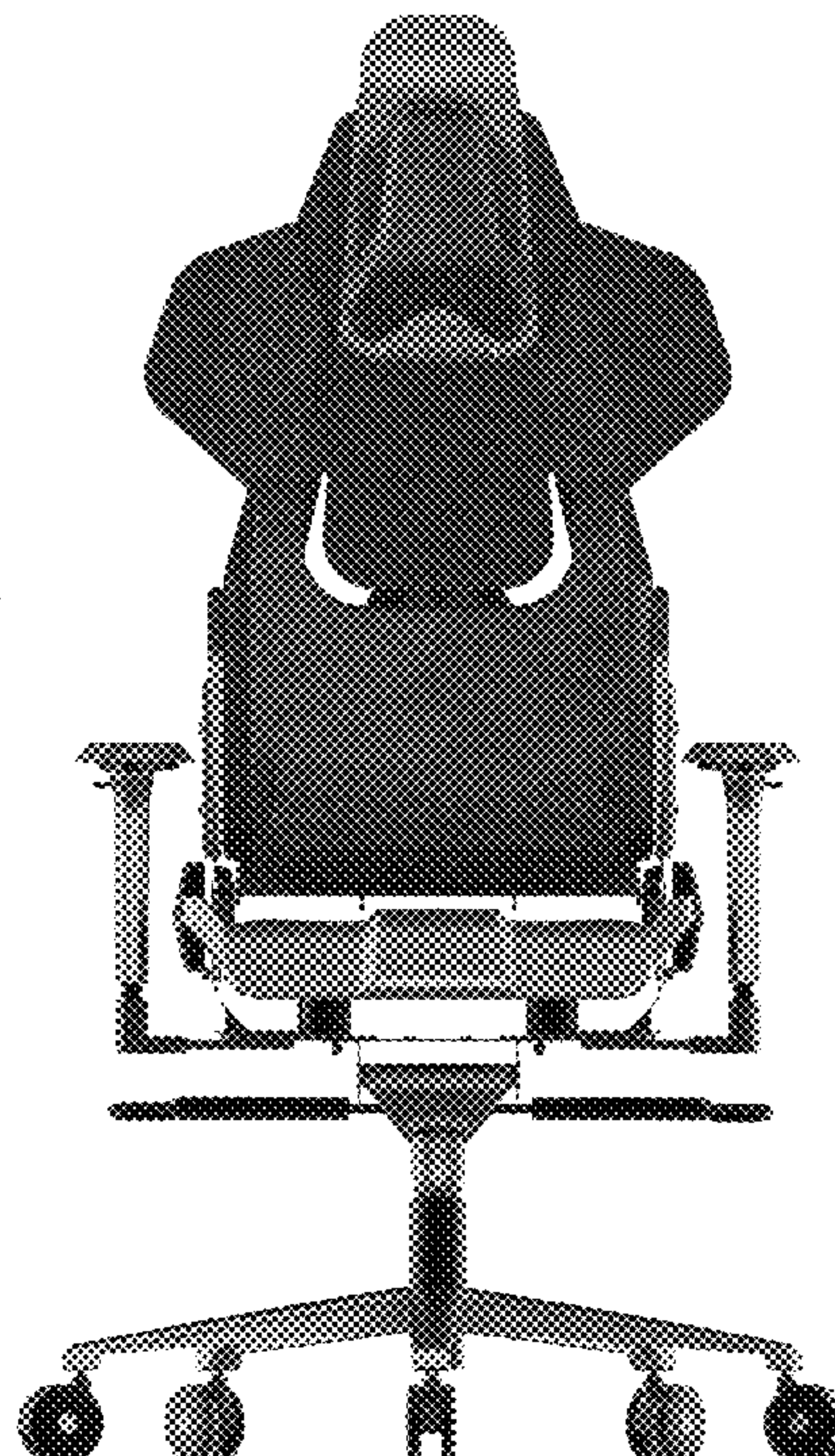






FIG. 1





FIG. 2





FIG. 3



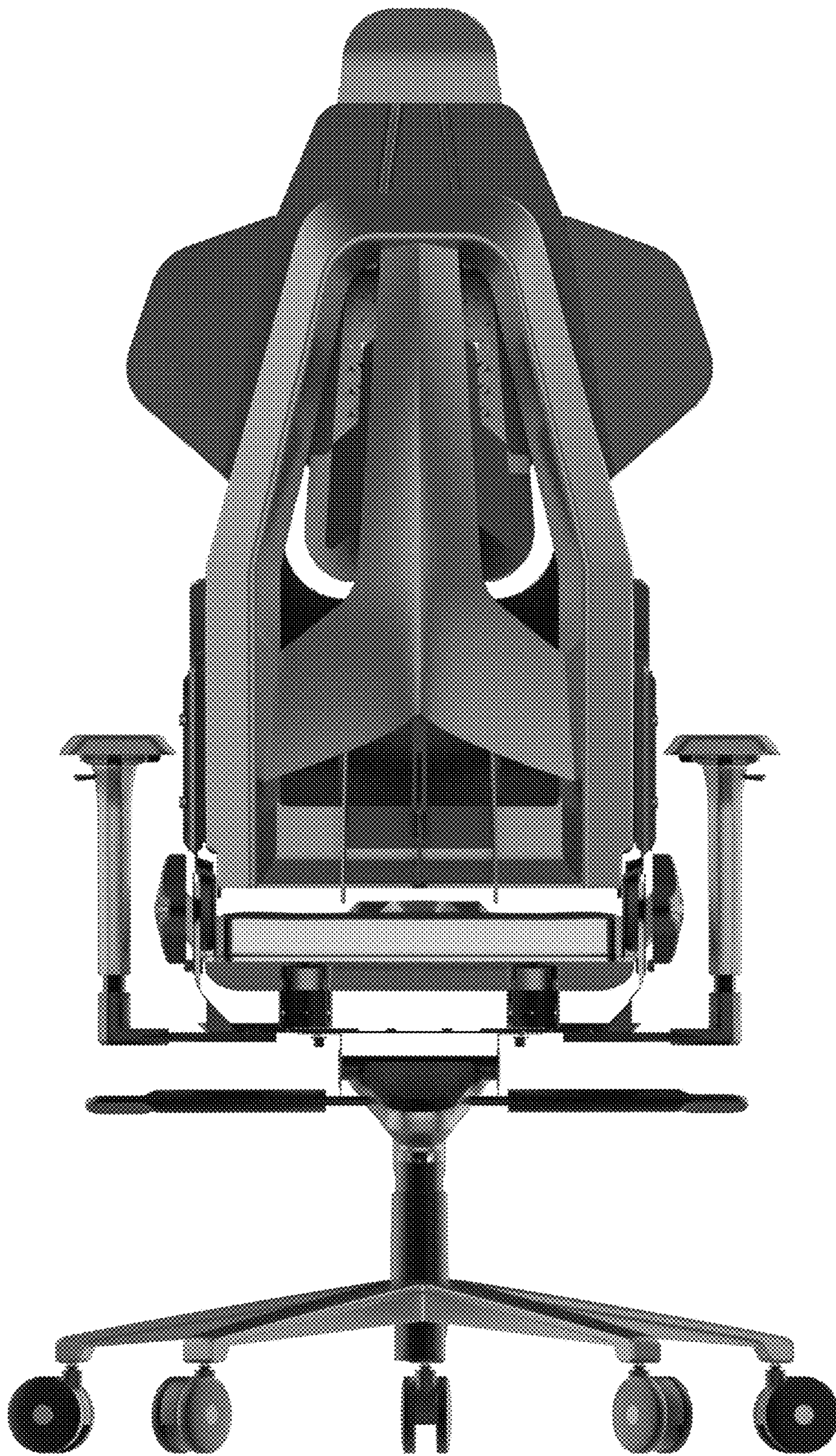


FIG. 4





FIG. 5





FIG. 6



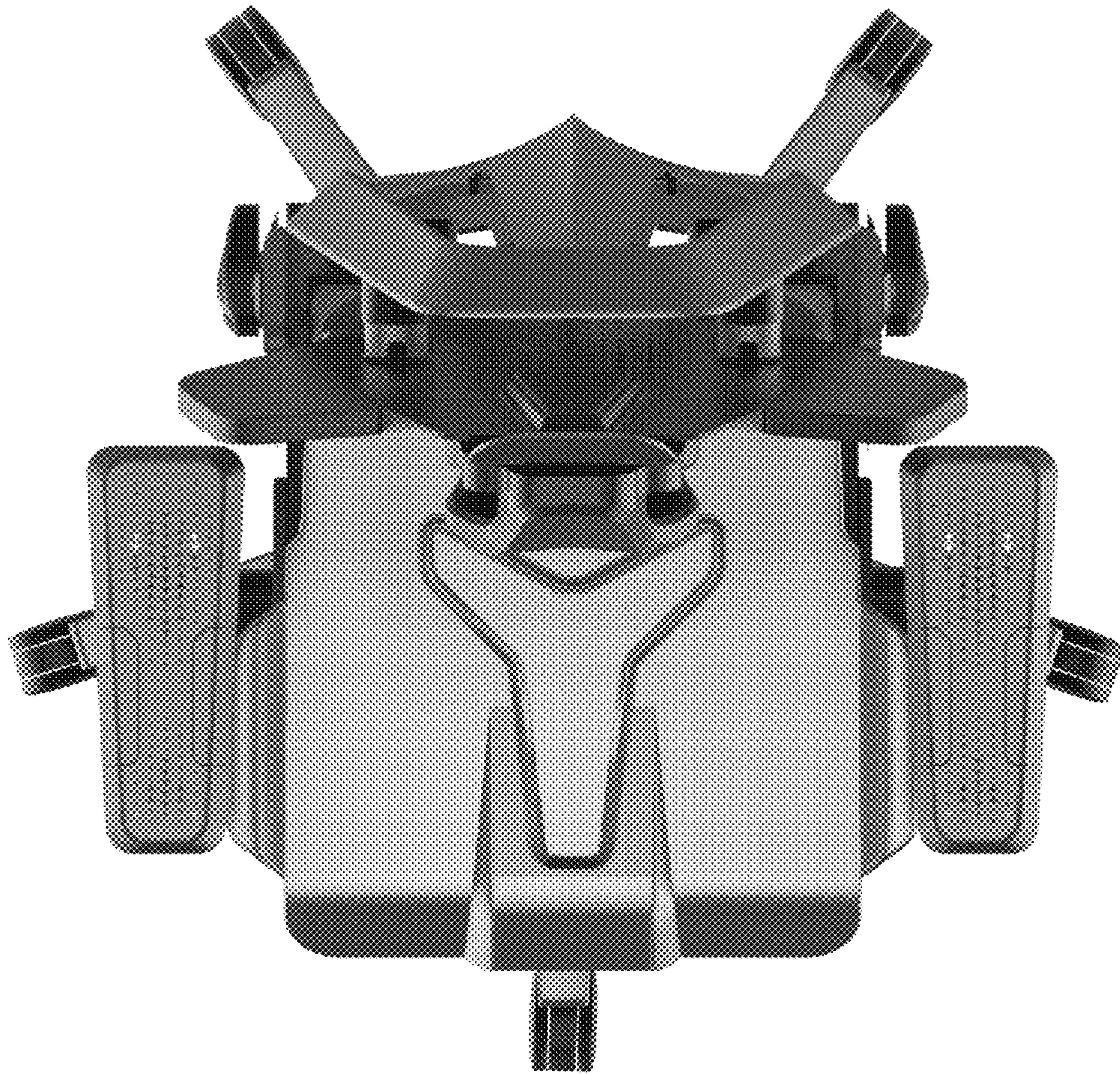


FIG. 7



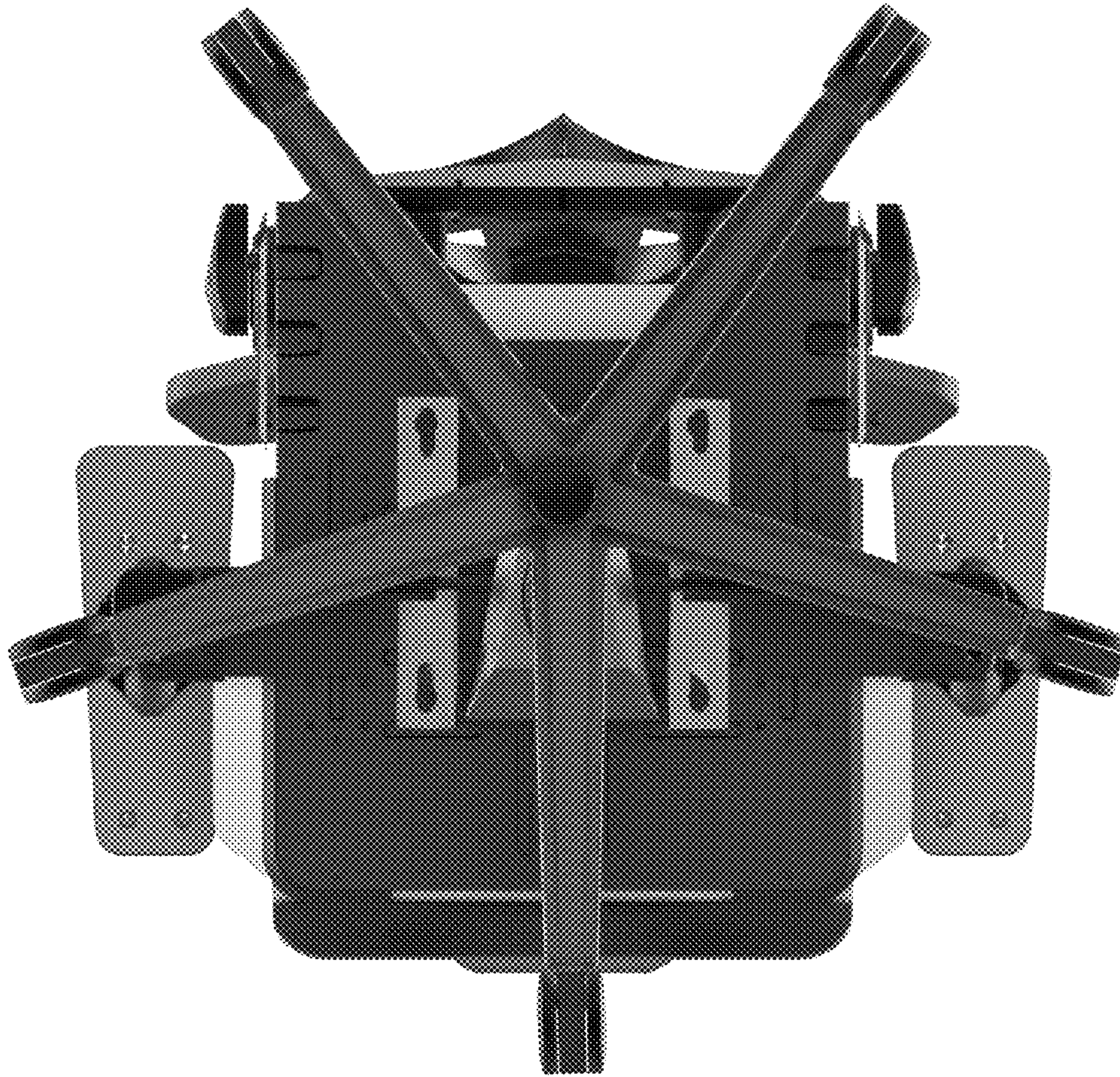


FIG. 8