



US00D984814S

(12) **United States Design Patent**  
**Yang**

(10) **Patent No.:** **US D984,814 S**

(45) **Date of Patent:** **\*\* May 2, 2023**

(54) **STEP STOOL**

(71) Applicant: **XIAMEN BABY PRETTY PRODUCTS CO., LTD.**, Xiamen (CN)

(72) Inventor: **Jianbo Yang**, Xiamen (CN)

(73) Assignee: **XIAMEN BABY PRETTY PRODUCTS CO., LTD.**, Xiamen (CN)

(\*\*) Term: **15 Years**

(21) Appl. No.: **29/786,321**

(22) Filed: **May 31, 2021**

(51) **LOC (14) Cl.** ..... **06-01**

(52) **U.S. Cl.**  
USPC ..... **D6/350; D25/65**

(58) **Field of Classification Search**  
USPC ..... D6/349, 350, 351, 353, 355, 333, 334,  
D6/335, 336-338, 684, 687, 691.9, 709.2,  
D6/368; D21/826; D25/65  
CPC ..... A47C 9/00; A47C 16/02  
See application file for complete search history.

(56) **References Cited**

**U.S. PATENT DOCUMENTS**

1,700,959	A *	2/1929	Street	.....	A47K 11/04	182/20
2,607,926	A *	8/1952	De Puy	.....	A47K 13/06	280/648
2,952,301	A *	9/1960	Schlaak	.....	E06C 1/387	D6/350
D288,719	S *	3/1987	Feist	.....	D25/65	
5,937,968	A *	8/1999	Gibson	.....	E06C 1/393	182/129
D414,566	S *	9/1999	Gibson	.....	D25/65	
D449,386	S *	10/2001	Cheris	.....	D25/65	

D563,685	S *	3/2008	Adams	.....	D6/350	
D923,950	S *	7/2021	Marsden	.....	D6/349	
D924,577	S *	7/2021	Marsden	.....	D6/349	
D925,934	S *	7/2021	Marsden	.....	D6/349	
D934,583	S *	11/2021	Marsden	.....	D6/350	
D942,789	S *	2/2022	Marsden	.....	D6/350	
11,382,432	B2 *	7/2022	Marsden	.....	E06C 7/081	
2008/0251319	A1 *	10/2008	Meyers	.....	E06C 1/397	182/152

**OTHER PUBLICATIONS**

Portable Baby Ladder, available in alibaba.com, earliest available date May 8, 2022 [online], Retrieved on Jul. 11, 2022 from URL: [https://www.alibaba.com/product-detail/promotional-top-quality-portable-baby-ladder\\_1600437367245.html](https://www.alibaba.com/product-detail/promotional-top-quality-portable-baby-ladder_1600437367245.html) (Year: 2022).\*

\* cited by examiner

*Primary Examiner* — Vy N Koenig

*Assistant Examiner* — Michelle M Reeves

(74) *Attorney, Agent, or Firm* — Bayramoglu Law Offices LLC

(57) **CLAIM**

The ornamental design for a step stool, as shown and described.

**DESCRIPTION**

FIG. 1 is a perspective view of a step stool showing my new design;

FIG. 2 is a front view thereof;

FIG. 3 is a rear view thereof;

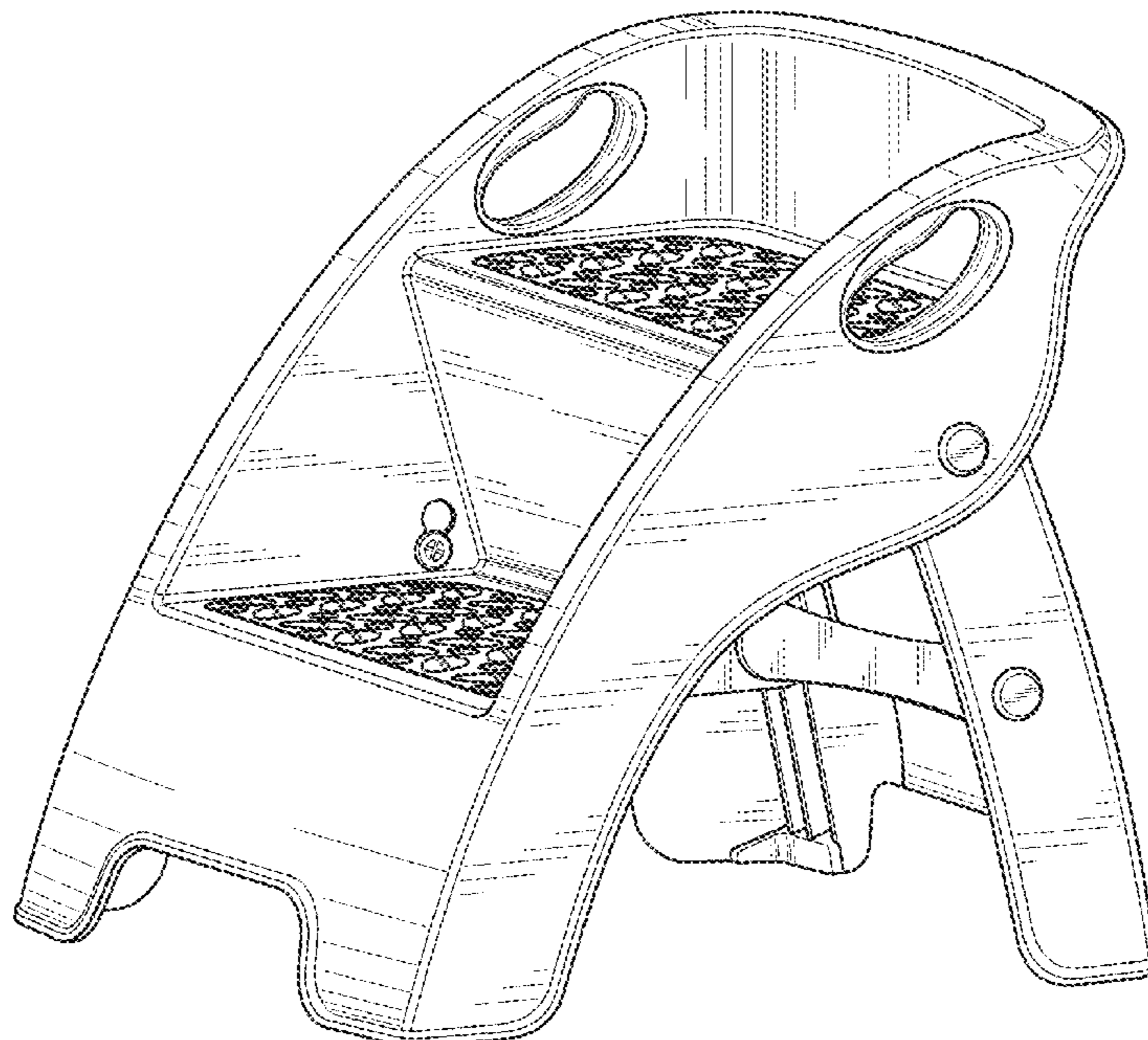
FIG. 4 is a right side view thereof, a left side view being a mirror image of the right side view;

FIG. 5 is a top view thereof; and,

FIG. 6 is a bottom view thereof.

The broken lines shown in the drawings depict portions of the step stool that form no part of the claimed design.

**1 Claim, 6 Drawing Sheets**



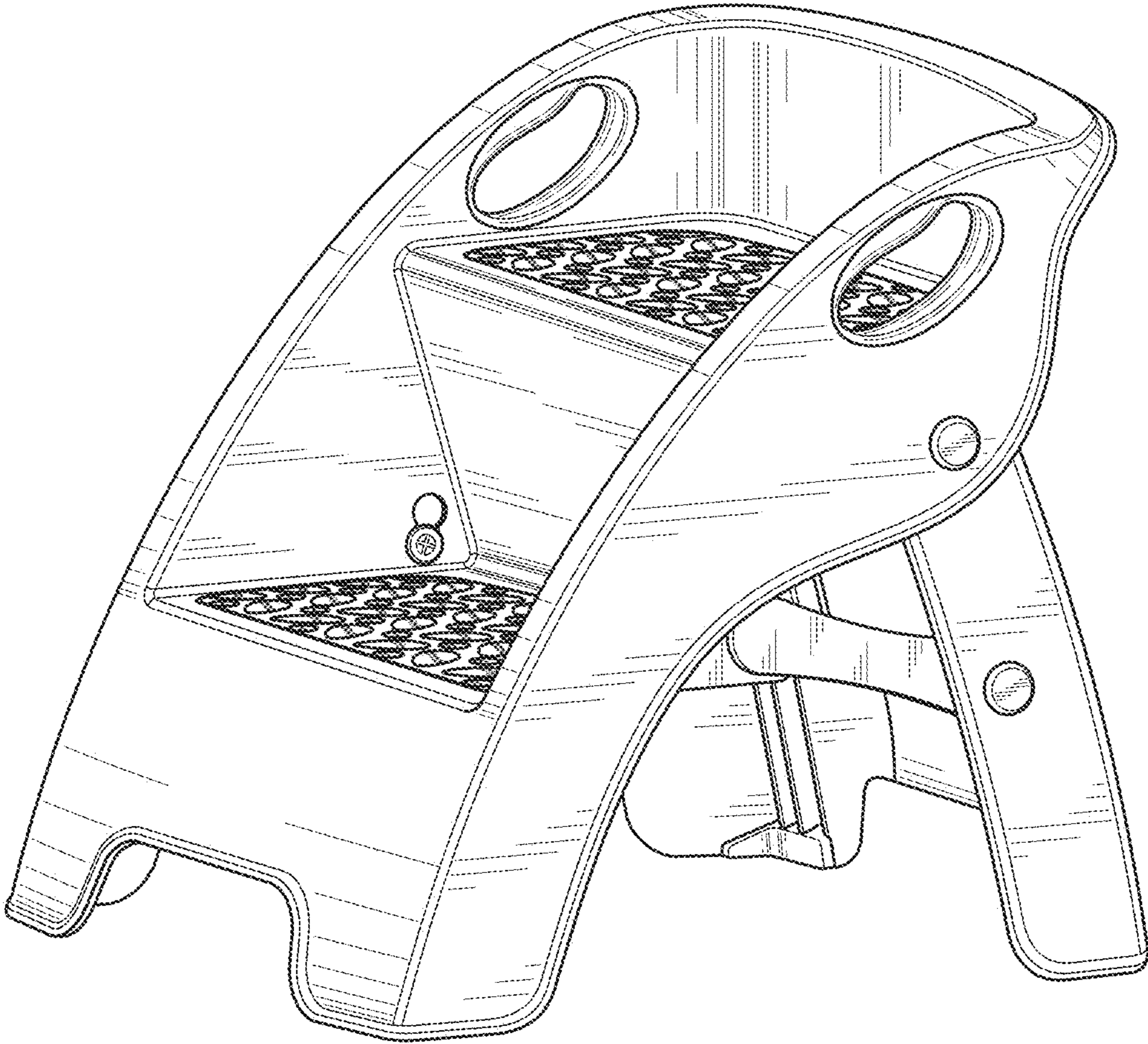


Fig. 1

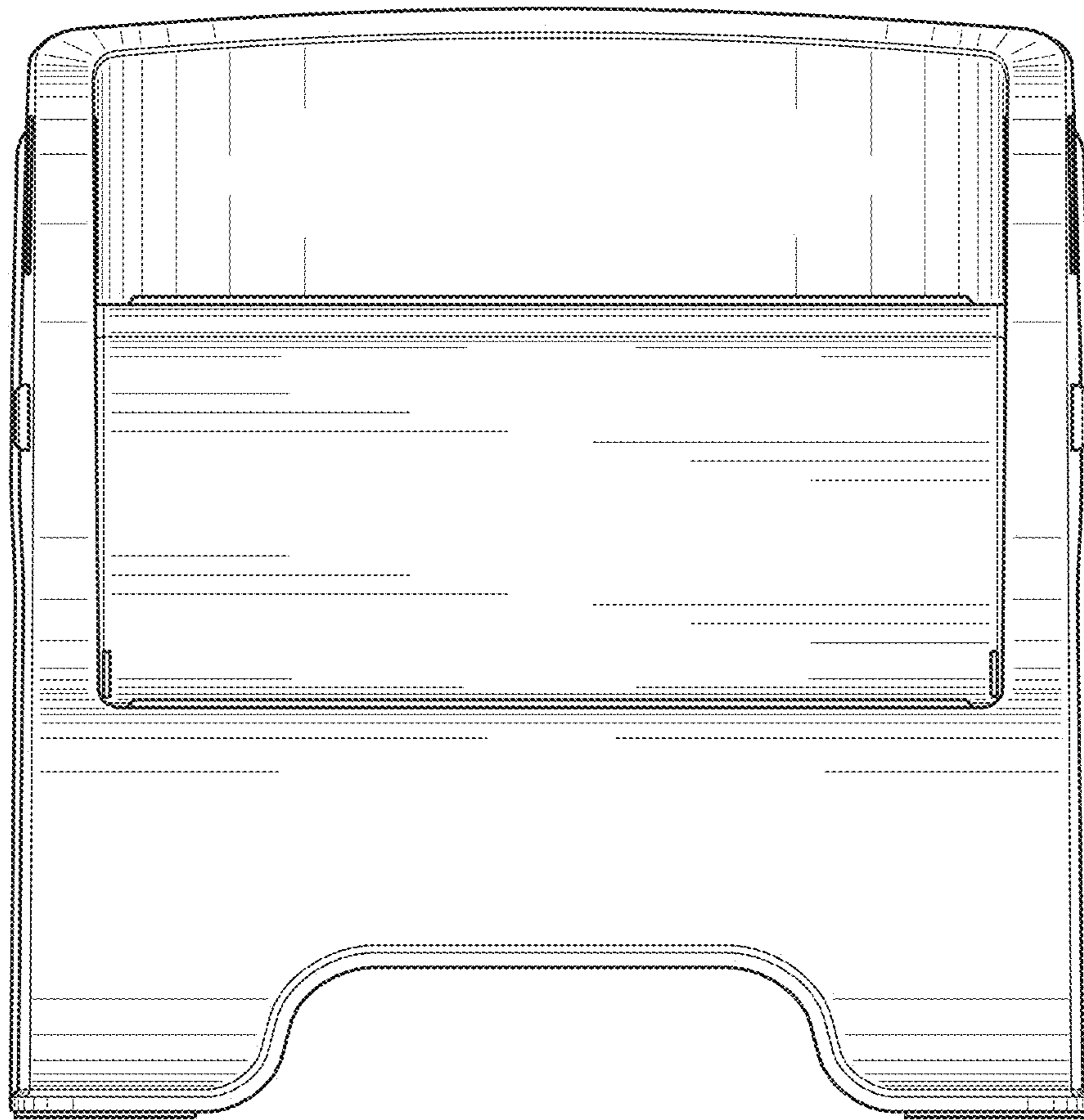


Fig. 2

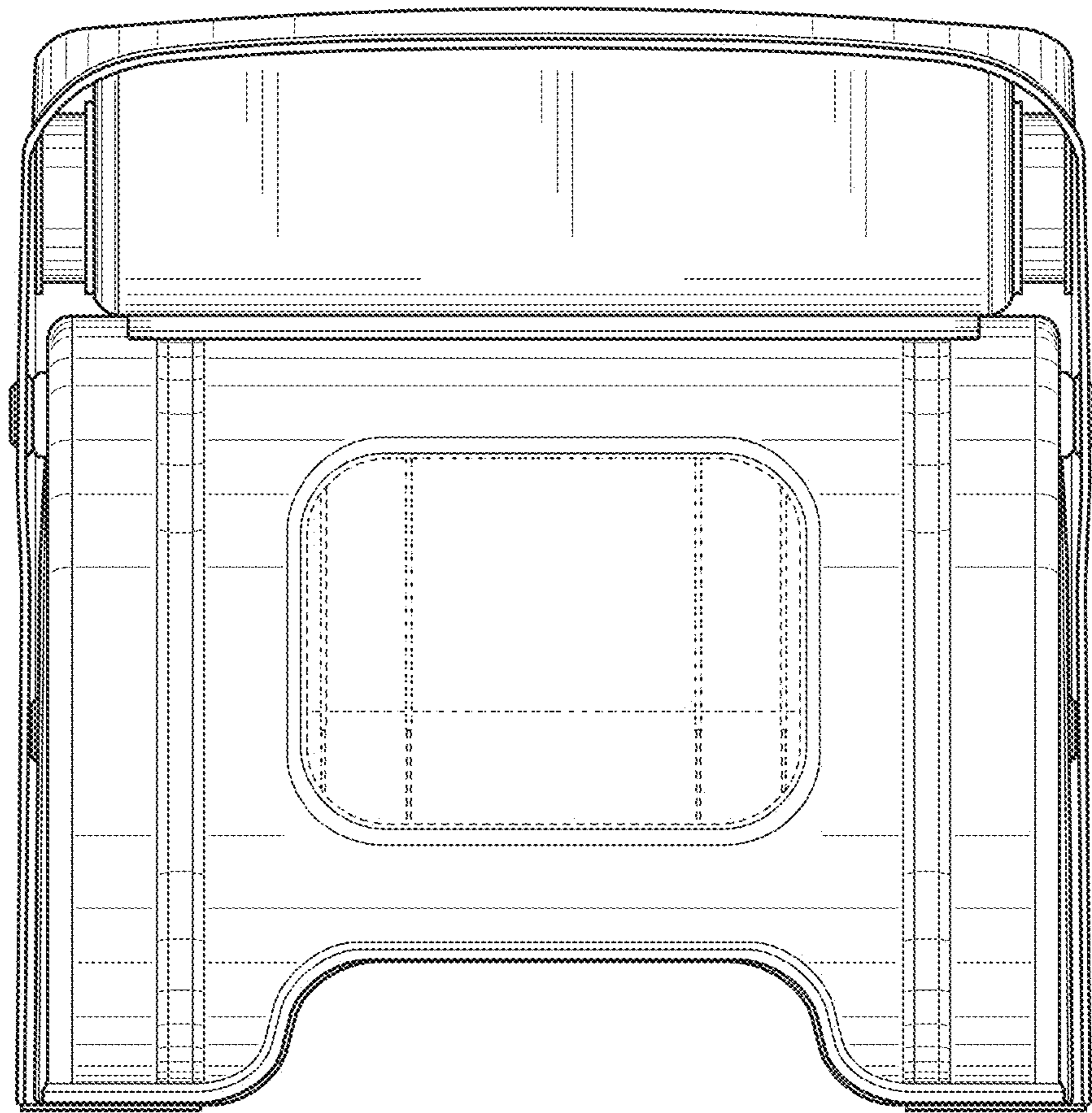


Fig. 3

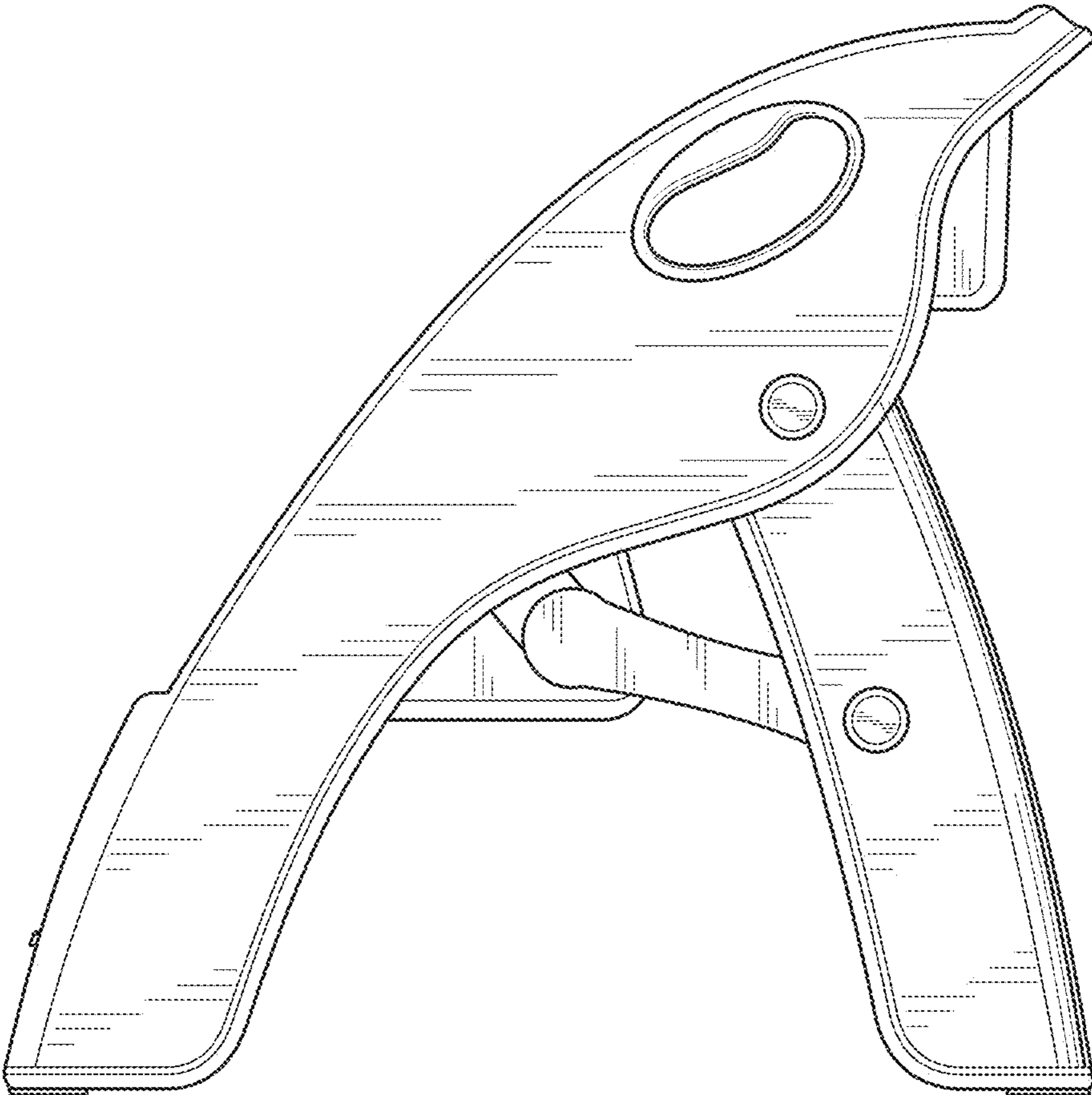


Fig. 4

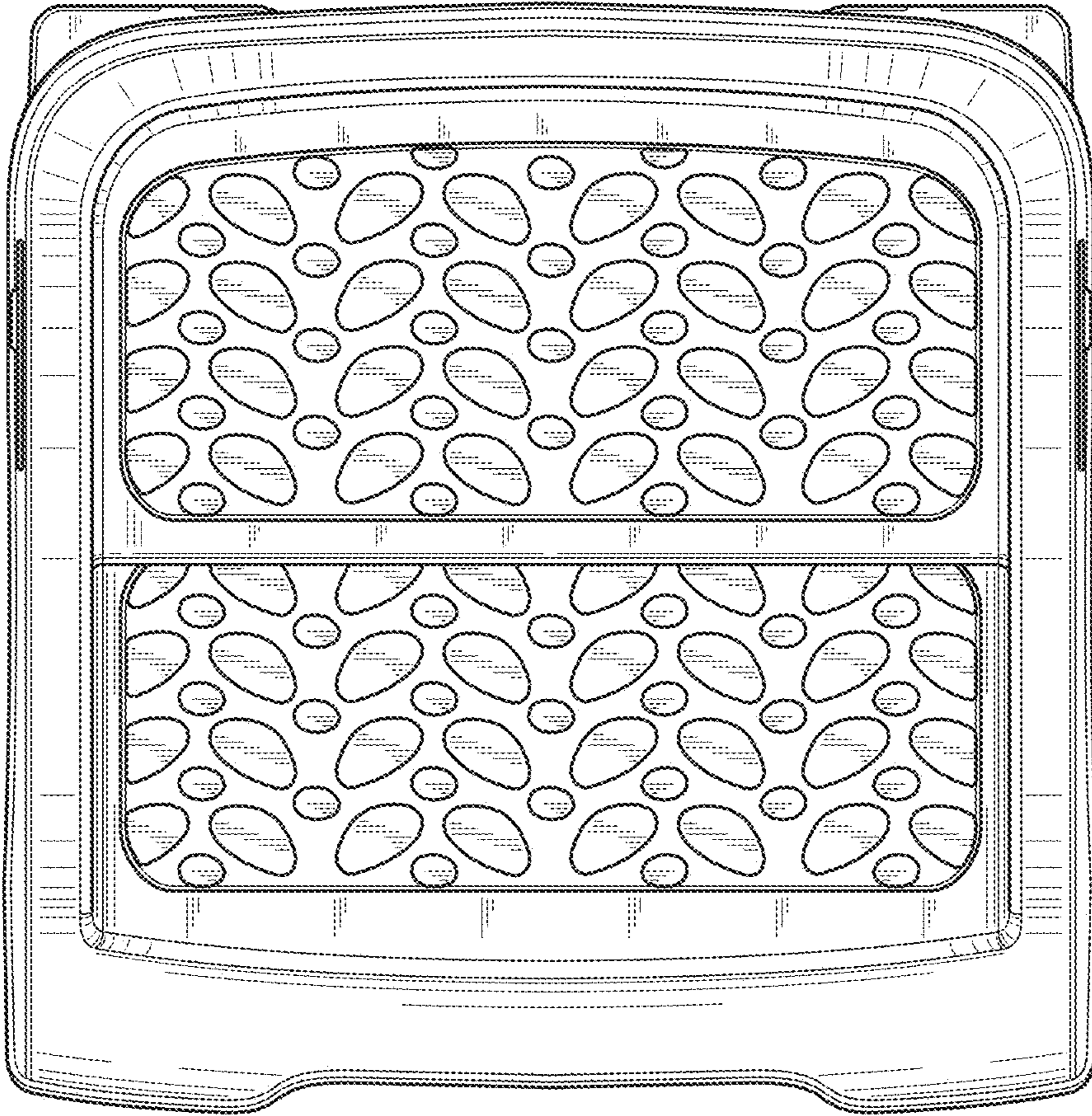


Fig. 5

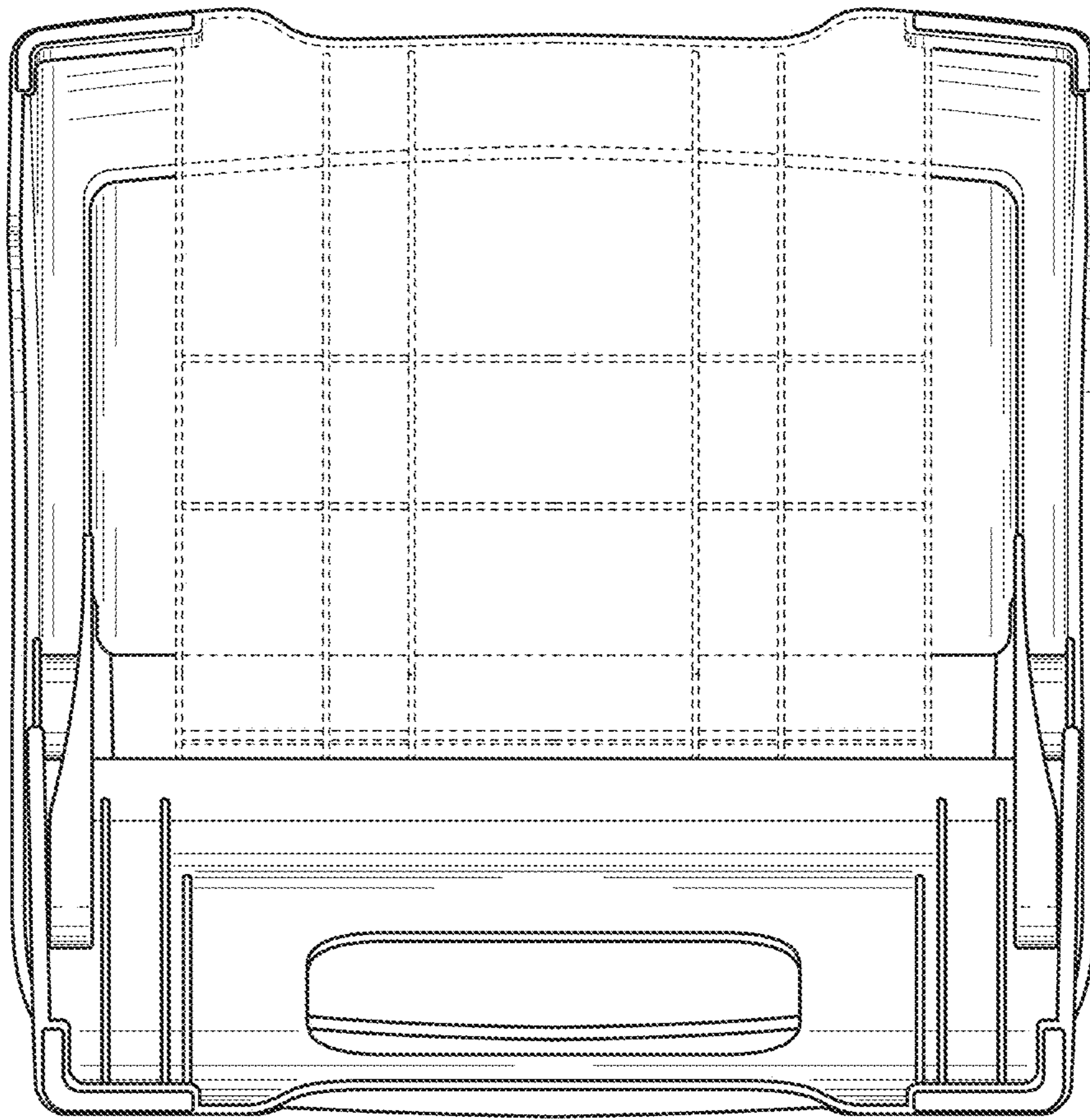


Fig. 6