



US00D984812S

(12) **United States Design Patent**  
**Hagiwara**

(10) **Patent No.:** **US D984,812 S**

(45) **Date of Patent:** **\*\* May 2, 2023**

(54) **HAIR BRUSH PIN**  
(71) Applicant: **Yutaka Hagiwara**, Ibaraki (JP)  
(72) Inventor: **Yutaka Hagiwara**, Tsukuba (JP)  
(\*\*) Term: **15 Years**  
(21) Appl. No.: **35/513,490**  
(22) Filed: **Aug. 17, 2021**

(80) **Hague Agreement Data**

Int. Filing Date: **Aug. 17, 2021**  
Int. Reg. No.: **DM/218234**  
Int. Reg. Date: **Aug. 17, 2021**  
Int. Reg. Pub. Date: **Jan. 21, 2022**

(51) **LOC (14) Cl.** ..... **04-02**

(52) **U.S. Cl.**  
USPC ..... **D4/199**

(58) **Field of Classification Search**  
USPC ..... D4/199, 104, 128, 134, 136, 116, 135,  
D4/114, 127, 137, 102; D28/20; D8/62;  
D24/152; D32/31, 25

CPC ..... A46B 5/04; A46B 13/003; A46B 9/028;  
A45D 19/00; A46D 1/00  
See application file for complete search history.

(56) **References Cited**

U.S. PATENT DOCUMENTS

D128,685 S \* 8/1941 Chott ..... D4/104  
3,253,291 A \* 5/1966 Nelson ..... A46B 13/003  
D4/128  
RE26,403 E \* 6/1968 Kutik ..... A46D 1/00  
425/588

D392,465 S \* 3/1998 Mark ..... D4/114  
5,765,252 A \* 6/1998 Carr ..... A46B 5/04  
15/104.94  
D634,935 S \* 3/2011 Kobke ..... D4/135  
D774,313 S \* 12/2016 Treeby ..... D4/136  
D823,604 S \* 7/2018 Pham ..... D4/114  
D839,610 S \* 2/2019 Kuo ..... D4/136  
D848,691 S \* 5/2019 Antler ..... D32/25  
D860,655 S \* 9/2019 Treeby ..... D4/136  
D866,191 S \* 11/2019 Dawson ..... D4/135  
D895,204 S \* 9/2020 Medearis ..... D28/20  
10,849,415 B2 \* 12/2020 De Bardonneche ... A46B 9/028  
D922,076 S \* 6/2021 Ebrahimi Afrouzi ..... D4/102  
D942,154 S \* 2/2022 Harrington ..... D4/137  
D944,479 S \* 2/2022 Mi ..... D32/31  
D950,729 S \* 5/2022 Johnson ..... D24/152  
D953,750 S \* 6/2022 Yang ..... D4/127  
D961,859 S \* 8/2022 Tu ..... D8/62  
D964,751 S \* 9/2022 Monson ..... D4/134  
2022/0287430 A1 \* 9/2022 Hagiwara ..... A45D 19/00

\* cited by examiner

*Primary Examiner* — Rhea Shields

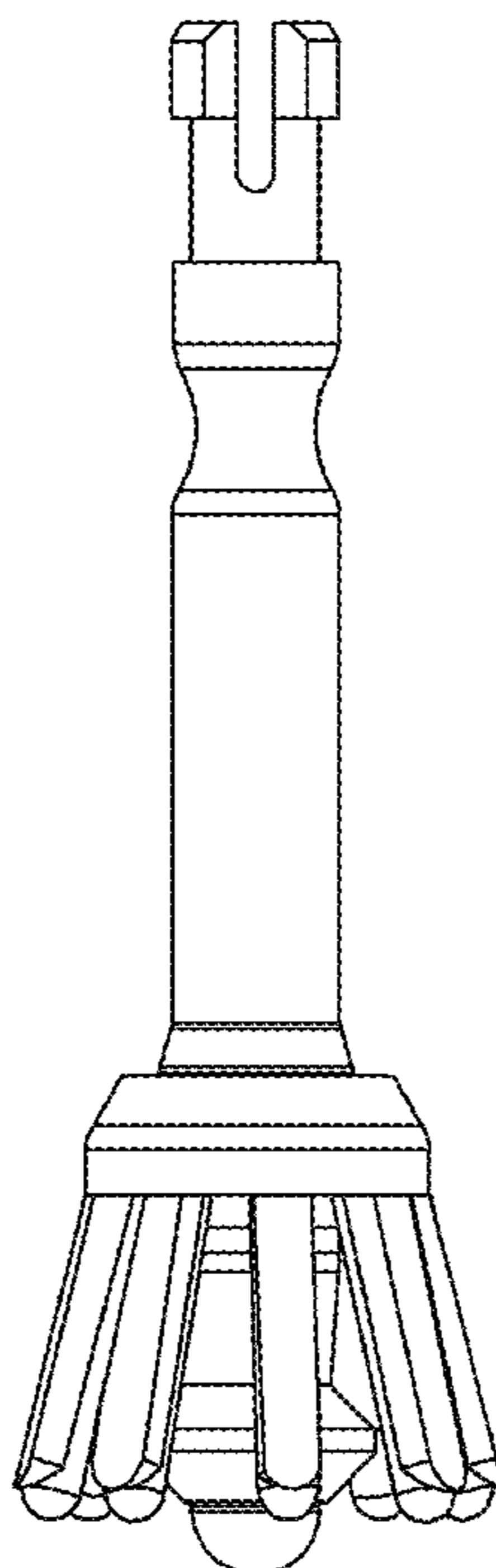
(57) **CLAIM**

The ornamental design for a hair brush pin, as shown and described.

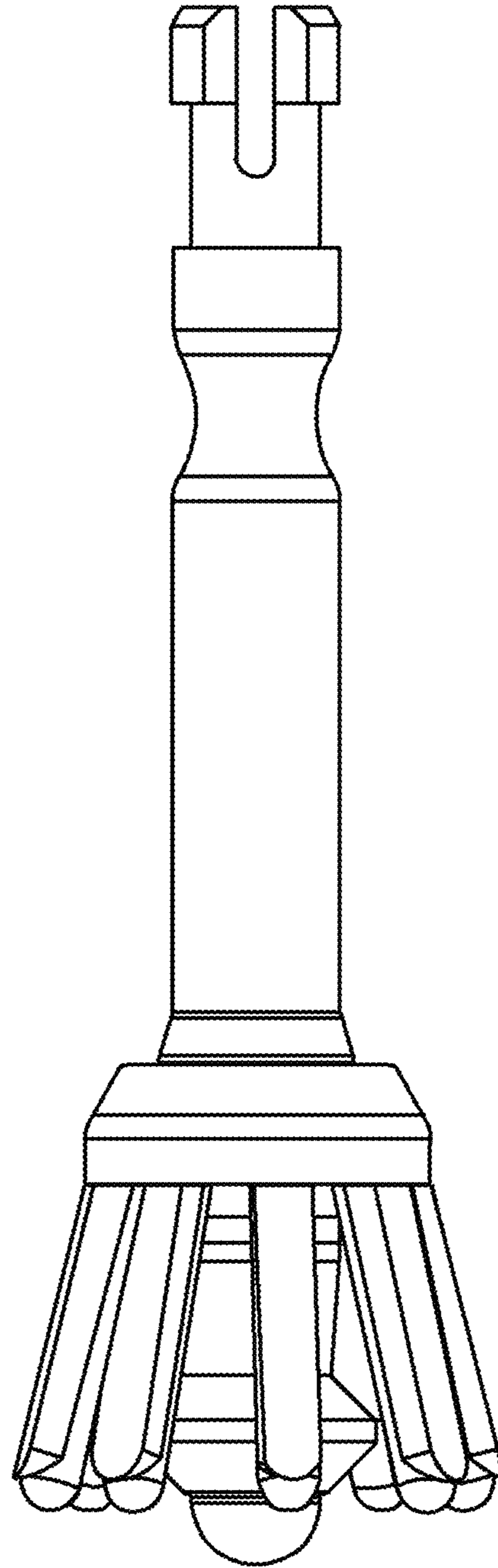
**DESCRIPTION**

Hair brush pin  
**1.1** : Front view  
**1.2** : Back view  
**1.3** : Left view  
**1.4** : Right view  
**1.5** : Top view  
**1.6** : Bottom view  
**1.7** : Sectional view taken along line A-A of **1.6**

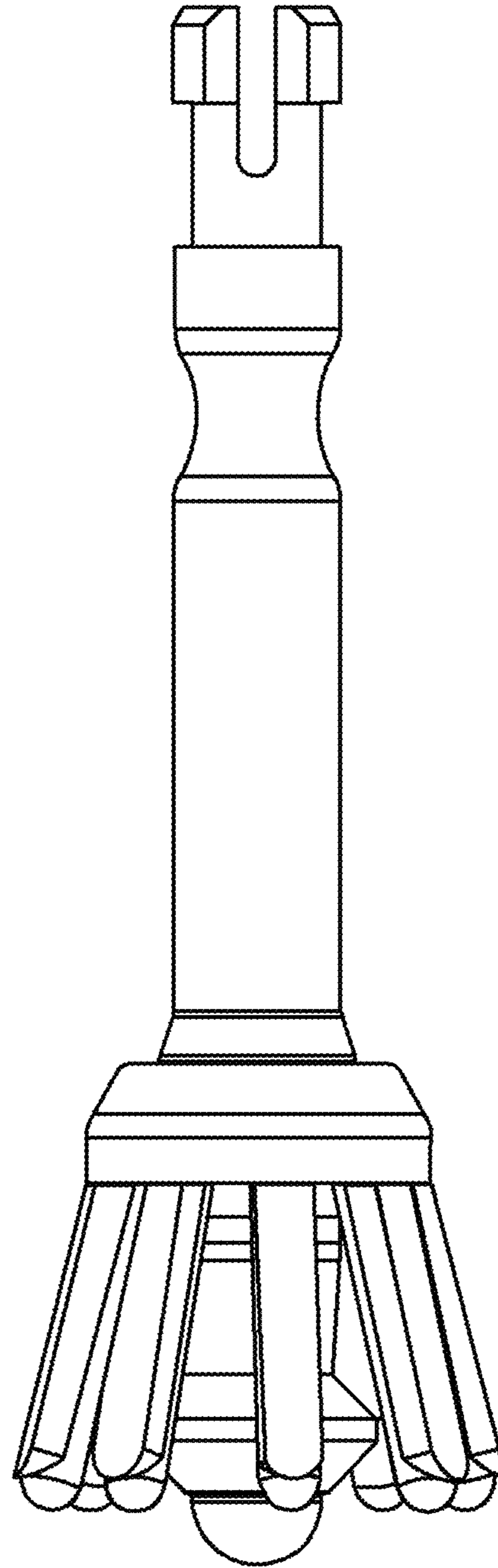
**1 Claim, 7 Drawing Sheets**



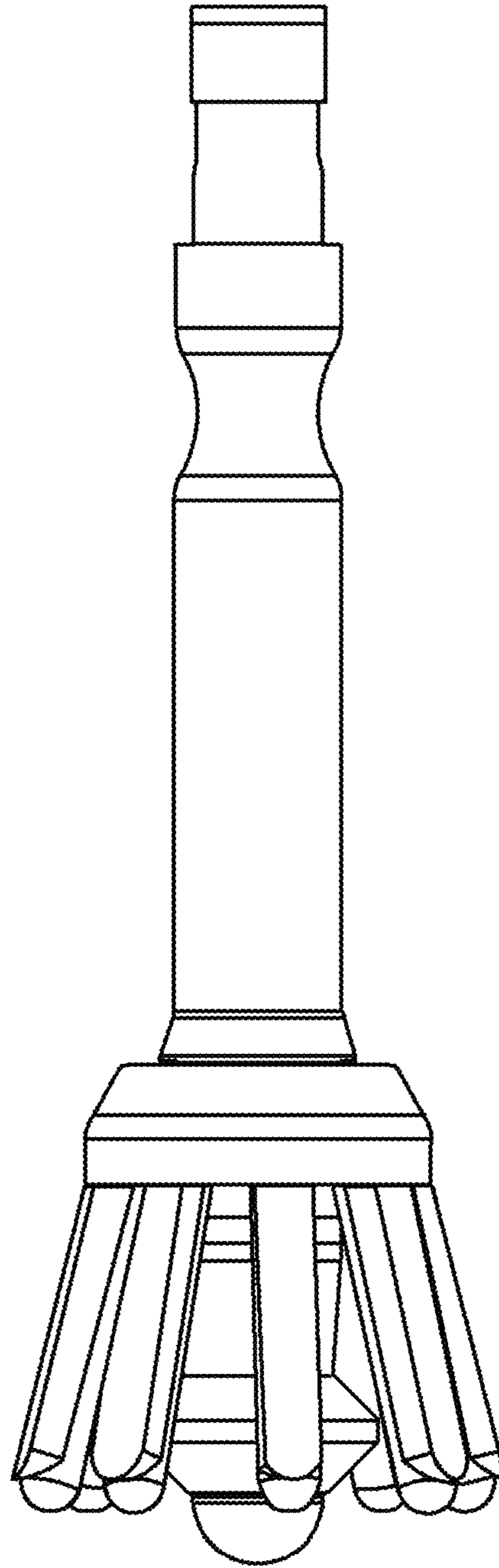
1.1



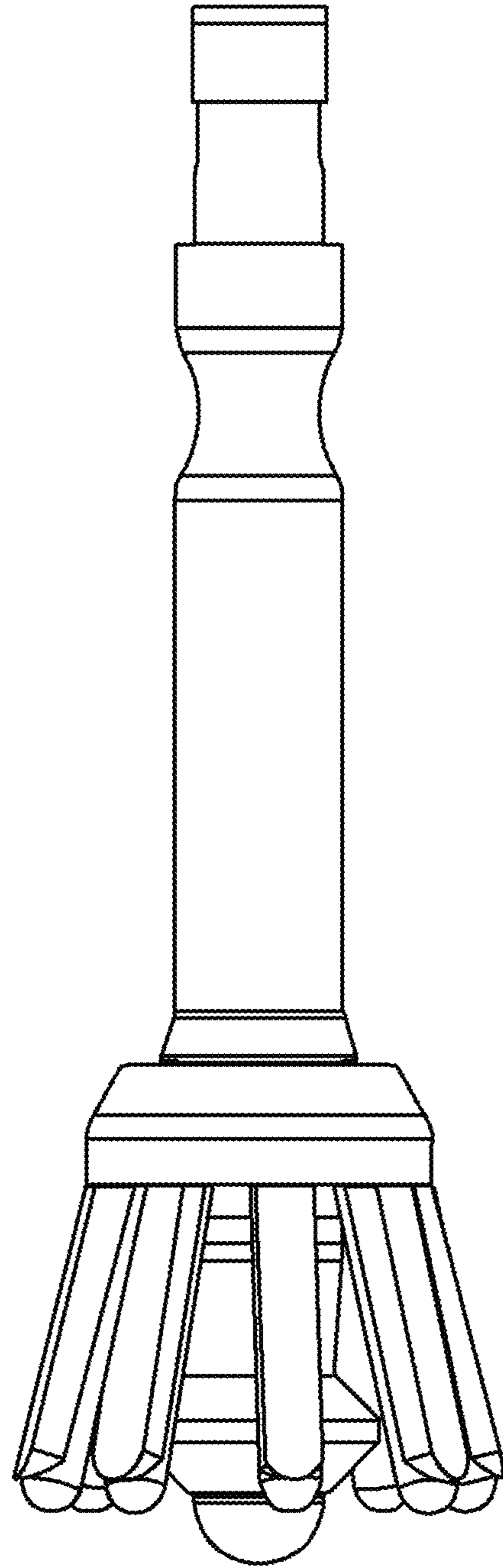
1.2



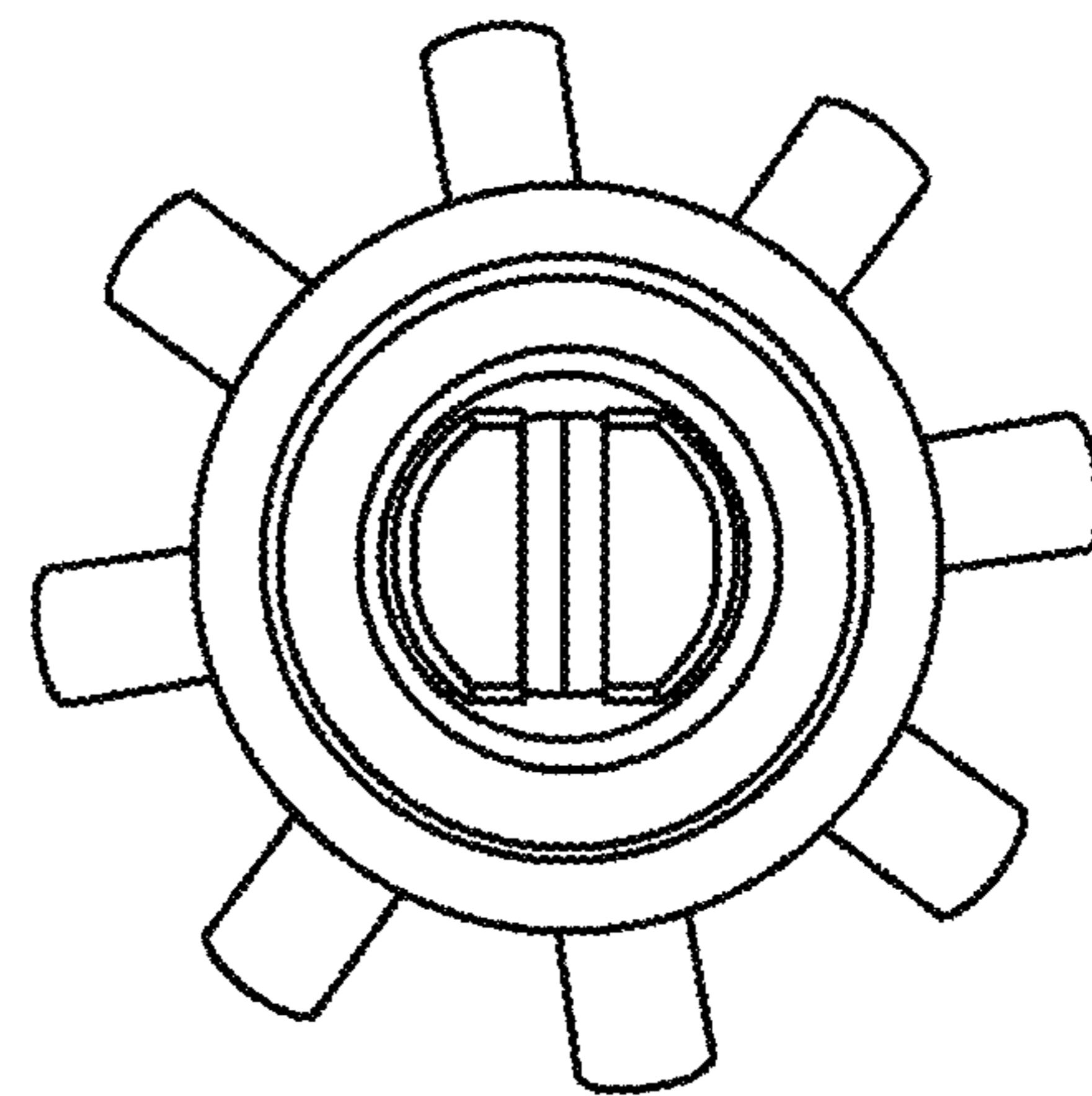
1.3



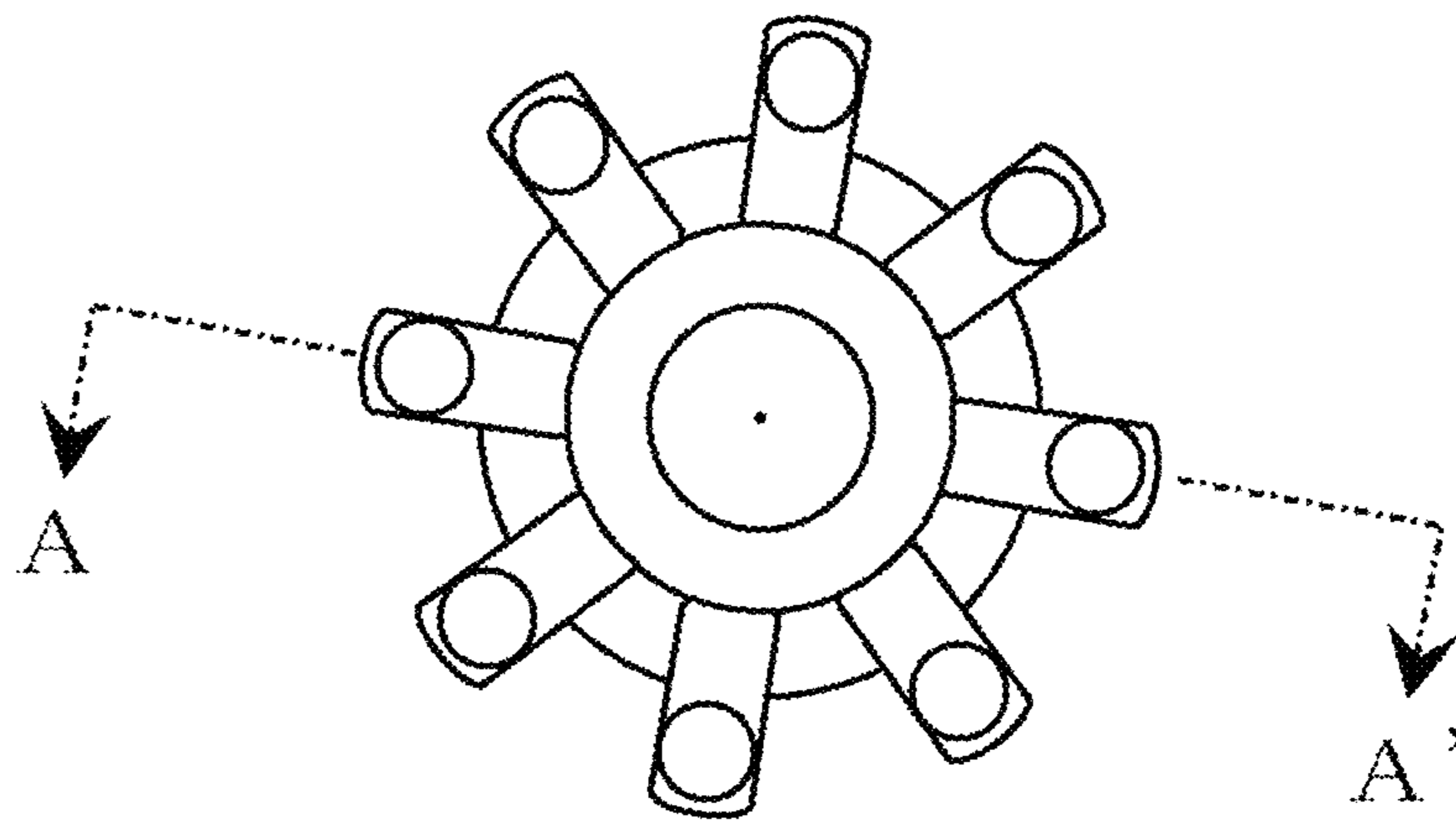
1.4



1.5



1.6



1.7

