



US00D984811S

(12) **United States Design Patent**
Fear et al.

(10) **Patent No.:** **US D984,811 S**

(45) **Date of Patent:** **** May 2, 2023**

(54) **GRILL BRUSH**

7/043; A47L 13/10; B25G 1/00; B25G
1/10; B25G 1/102

(71) Applicant: **Helen of Troy Limited**, St. Michael
(BB)

See application file for complete search history.

(72) Inventors: **Samuel Fear**, Mattituck, NY (US);
Erik Shewan, Astoria, NY (US)

(56) **References Cited**

(73) Assignee: **Helen of Troy Limited**, St. Michael
(BB)

U.S. PATENT DOCUMENTS

D358,491 S * 5/1995 Hoagland D4/118
D429,889 S * 8/2000 Fielding D4/118
D530,098 S * 10/2006 Neal D4/118
D718,059 S * 11/2014 Foster D4/118

(Continued)

(**) Term: **15 Years**

FOREIGN PATENT DOCUMENTS

(21) Appl. No.: **29/800,829**

EM 008830038-0001 * 1/2022
GB 6187824 * 1/2022

(22) Filed: **Jul. 23, 2021**

(51) **LOC (14) Cl.** **04-01**

(52) **U.S. Cl.**
USPC **D4/138**

(58) **Field of Classification Search**
USPC D4/116, 118, 129, 130, 132, 134, 138,
D4/199

CPC .. A46B 1/00; A46B 3/00; A46B 3/005; A46B
3/02; A46B 3/04; A46B 3/20; A46B 3/22;
A46B 5/00; A46B 5/002; A46B 5/0025;
A46B 5/0029; A46B 5/0033; A46B
5/0037; A46B 5/0054; A46B 5/0062;
A46B 5/0066; A46B 5/0092; A46B 5/02;
A46B 5/021; A46B 7/00; A46B 7/06;
A46B 9/00; A46B 9/005; A46B 9/02;
A46B 9/021; A46B 9/023; A46B 9/026;
A46B 9/028; A46B 13/00; A46B 13/001;
A46B 13/02; A46B 13/023; A46B 13/08;
A46B 15/00; A46B 15/0002; A46B
15/0016; A46B 2200/00; A46B 2200/10;
A46B 2200/1006; A46B 2200/102; A46B
2200/30; A47K 7/00; A47K 7/02; A47K
7/022; A47K 7/028; A47K 7/04; A47K

OTHER PUBLICATIONS

Cuisinart CCB-5014 BBQ Grill Cleaning Brush and Scraper, ear-
liest review Apr. 17, 2013 [online], [retrieved Jan. 30, 2022].
Retrieved from internet, <https://www.amazon.com/dp/B00B58A300/>
(Year: 2013).*

(Continued)

Primary Examiner — Alison M Ofstun
Assistant Examiner — Evin Franklin George Ershock
(74) *Attorney, Agent, or Firm* — Rankin, Hill & Clark
LLP

(57) **CLAIM**

The ornamental design for a grill brush, as shown and
described.

DESCRIPTION

FIG. 1 is a perspective view of a grill brush showing our new
design;
FIG. 2 is a front elevation view FIG. 1;
FIG. 3 is a rear elevation view FIG. 1;
FIG. 4 is a left side elevation view FIG. 1;
FIG. 5 is a right side elevation view FIG. 1;
FIG. 6 is a top plan view FIG. 1; and,

(Continued)

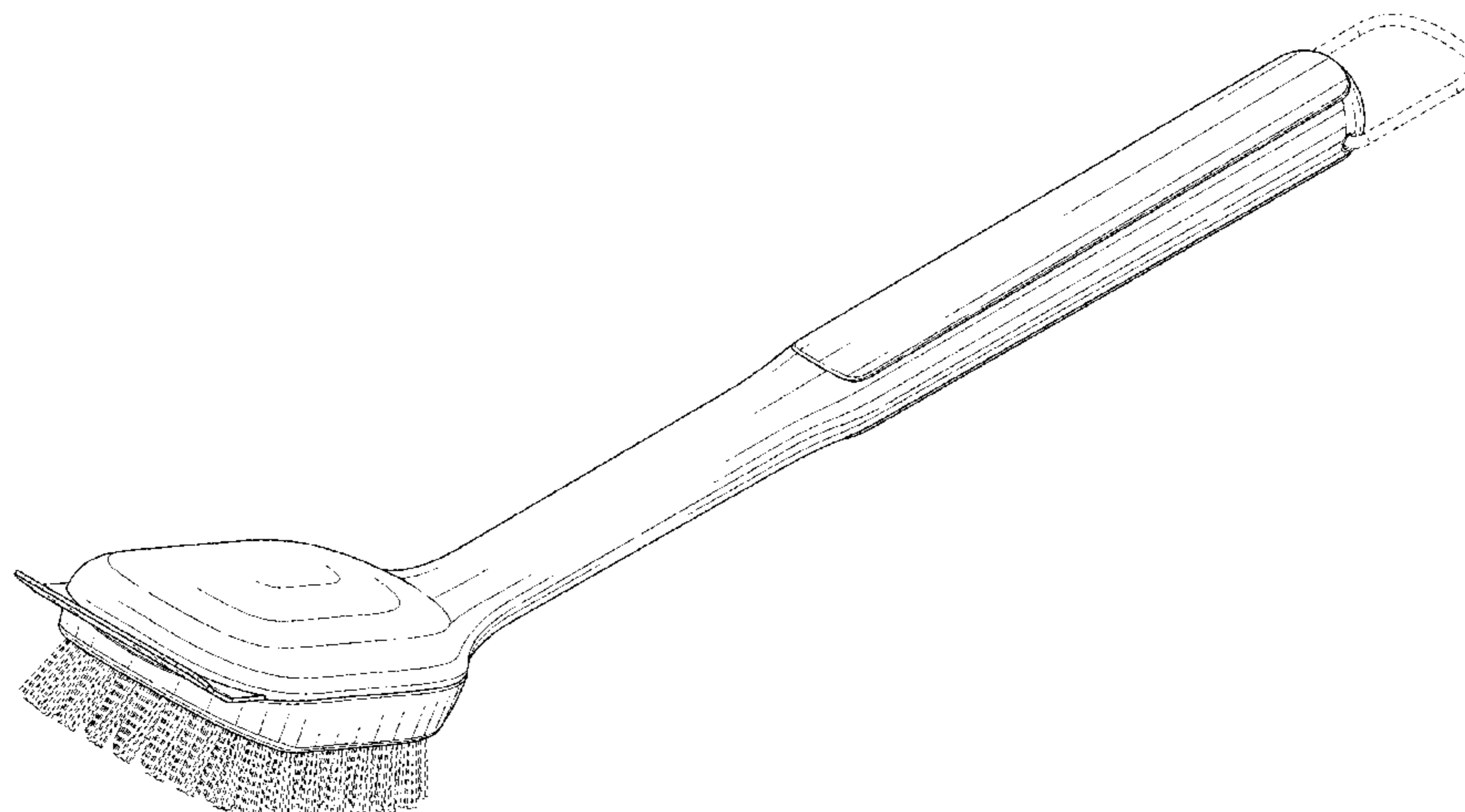


FIG. 7 is a bottom plan view FIG. 1.
The broken lines in the drawings depict portions of the grill
brush that form no part of the claimed design.

D964,045 S * 9/2022 Fear D4/138
D965,987 S * 10/2022 Xu D4/118
D972,848 S * 12/2022 Li D4/134

1 Claim, 4 Drawing Sheets

OTHER PUBLICATIONS

(56)

References Cited

U.S. PATENT DOCUMENTS

D741,605 S * 10/2015 Witzel A46B 17/08
D4/132
D845,639 S * 4/2019 Hu D4/118
D878,768 S * 3/2020 Knudsen D4/138
D879,475 S * 3/2020 Trachsel D4/134
D940,980 S * 1/2022 Liu A46B 17/08
D32/46
D951,655 S * 5/2022 Joseph D4/132

Libman Long Handle Bbq Brush Scraper, Black, 8 Ounce, posted Feb. 3, 2019 [online], [retrieved Jan. 30, 2022]. Retrieved from internet, <https://www.amazon.com/dp/B00KYSNZS2/> (Year: 2019).*

OXO Good Grips Nylon Grill Brush for Cold Cleaning, earliest review Jul. 8, 2022 [online], [retrieved Jan. 30, 2022]. Retrieved from internet, <https://www.oxo.com/oxo-good-grips-nylon-grill-brush-for-cold-cleaning.html> (Year: 2022).*

OXO® Good Grips Cold Clean Grill Brush, earliest review three months ago [online], [retrieved Jan. 30, 2022]. Retrieved from internet, [crateandbarrel.com/oxo-good-grips-cold-clean-grill-brush/s481917?localedetail=US&storeid=609](https://www.crateandbarrel.com/oxo-good-grips-cold-clean-grill-brush/s481917?localedetail=US&storeid=609) (Year: 2022).*

* cited by examiner

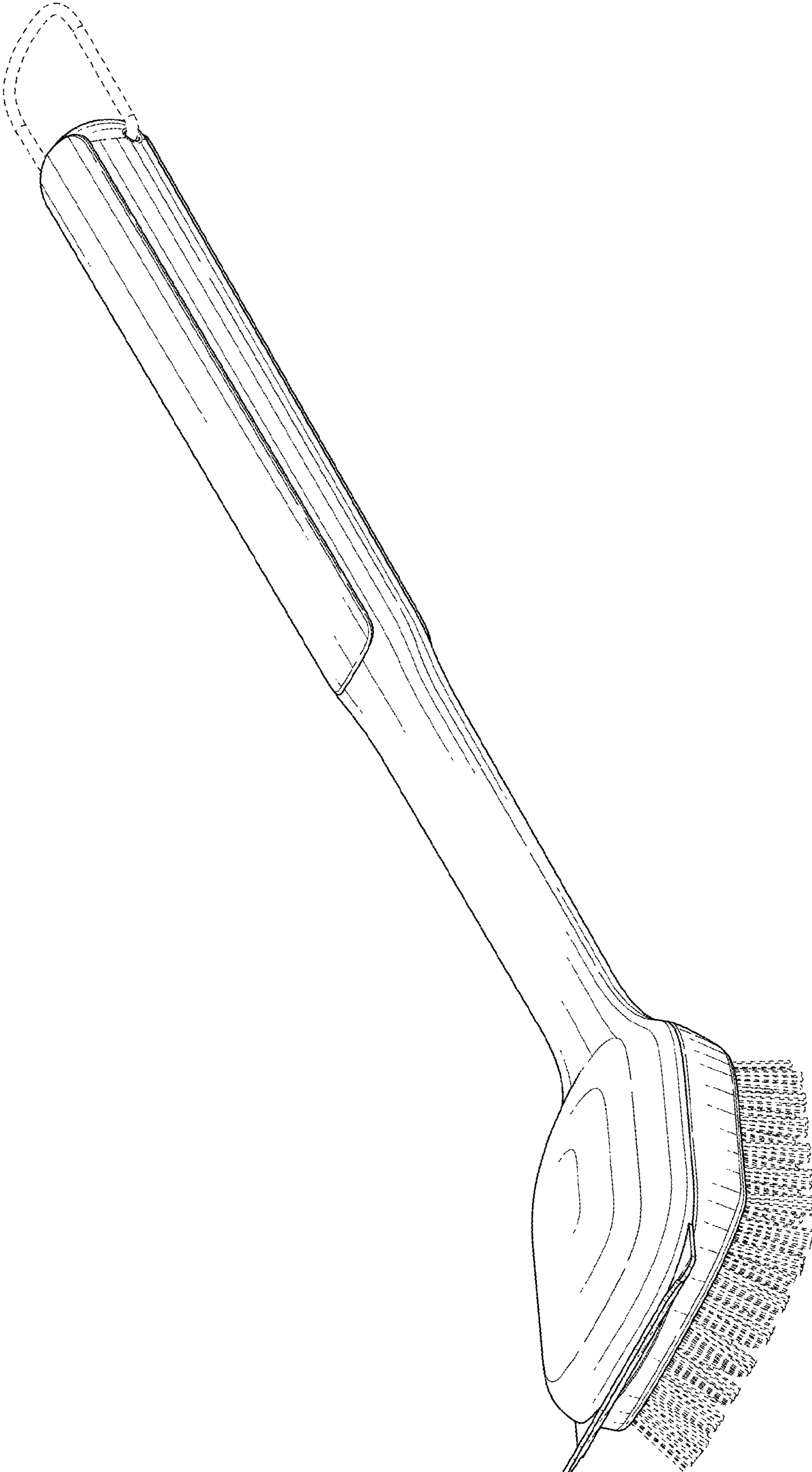


FIG. 1

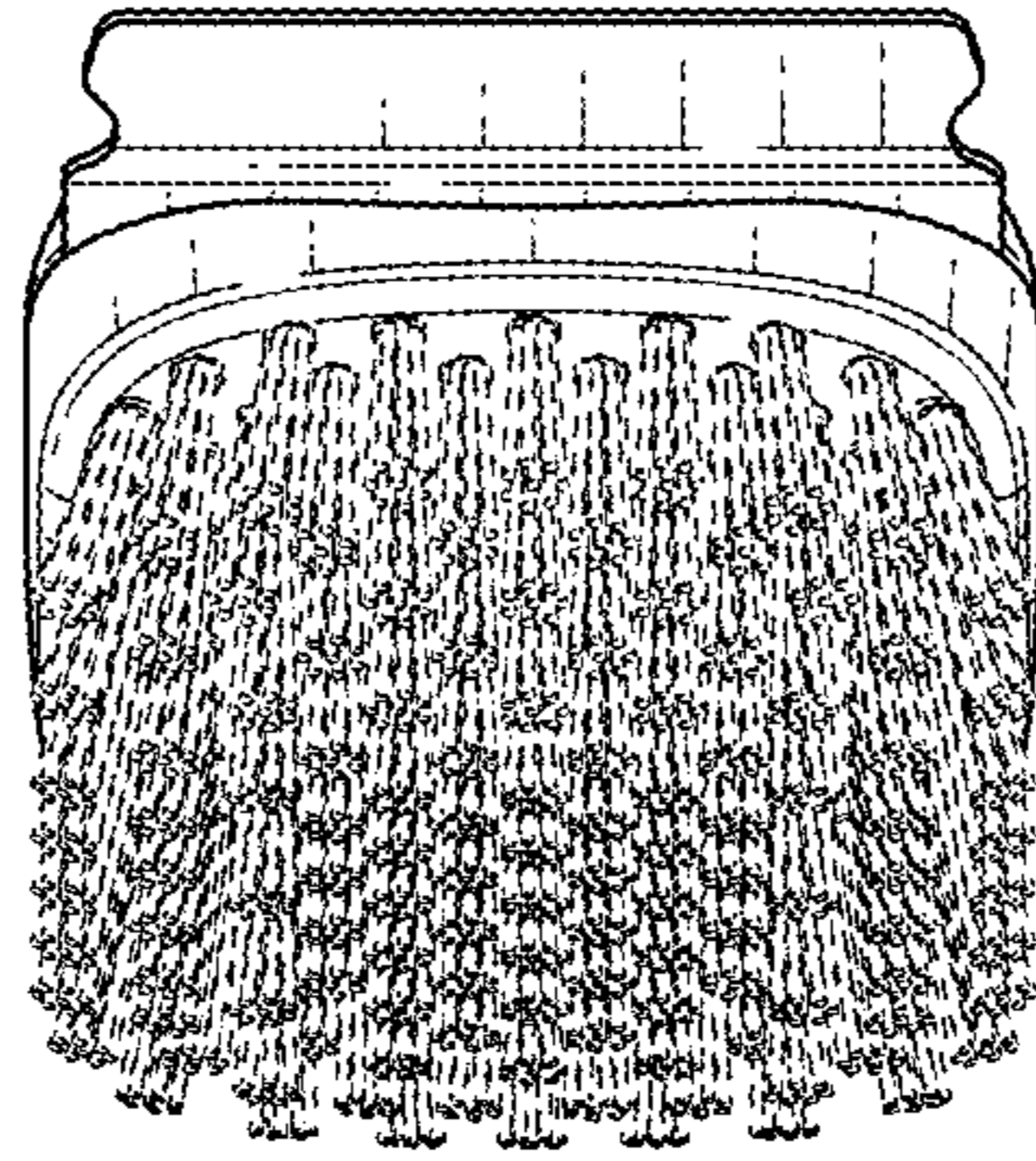


FIG. 2

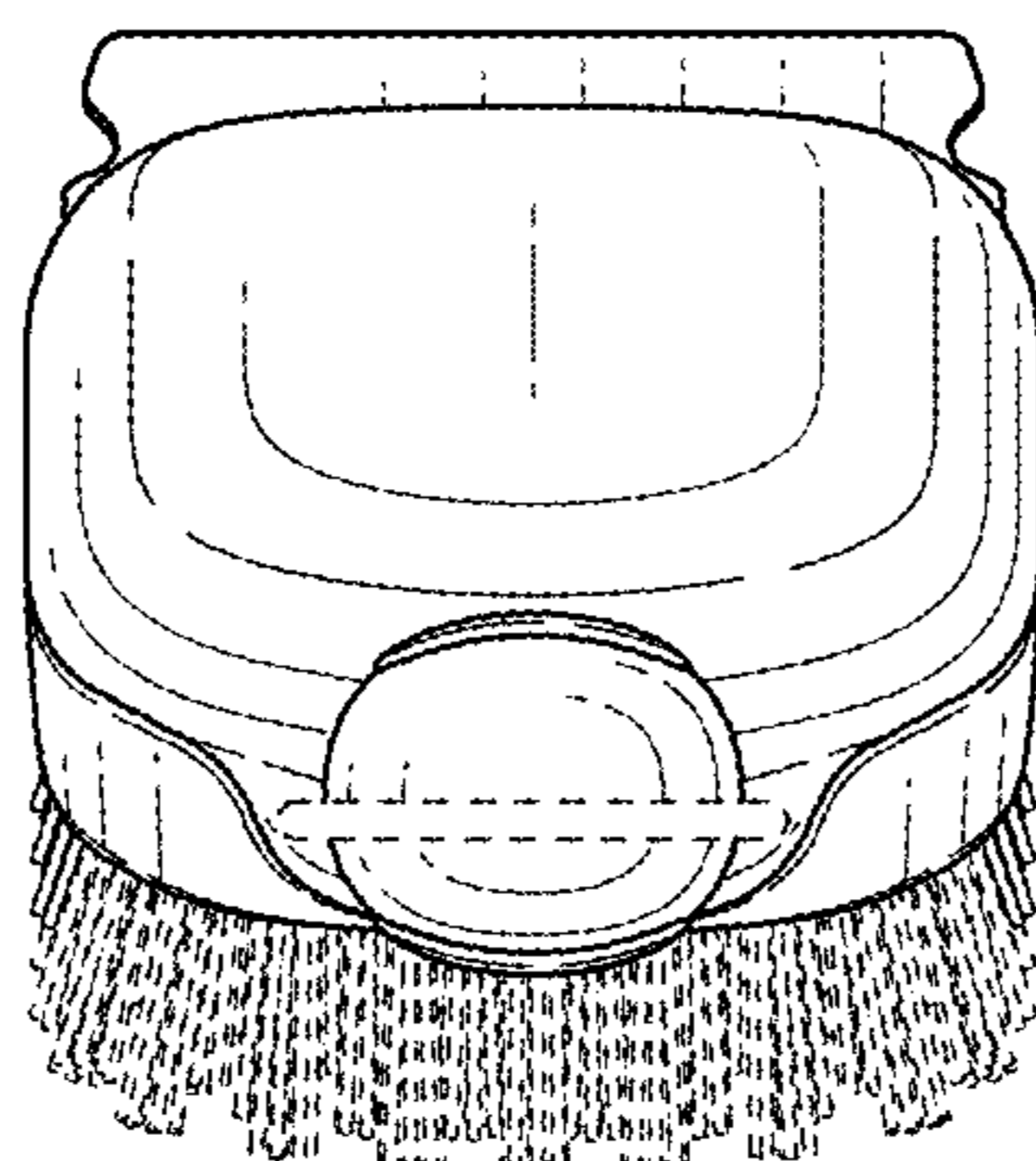


FIG. 3

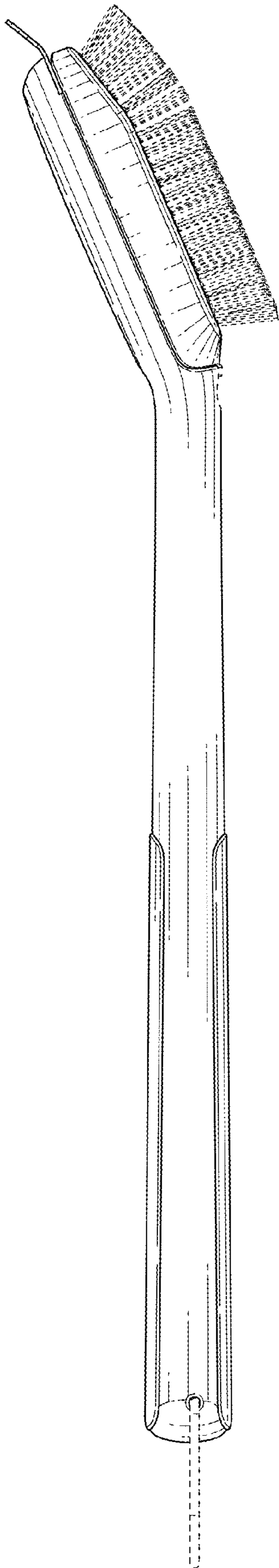


FIG. 4

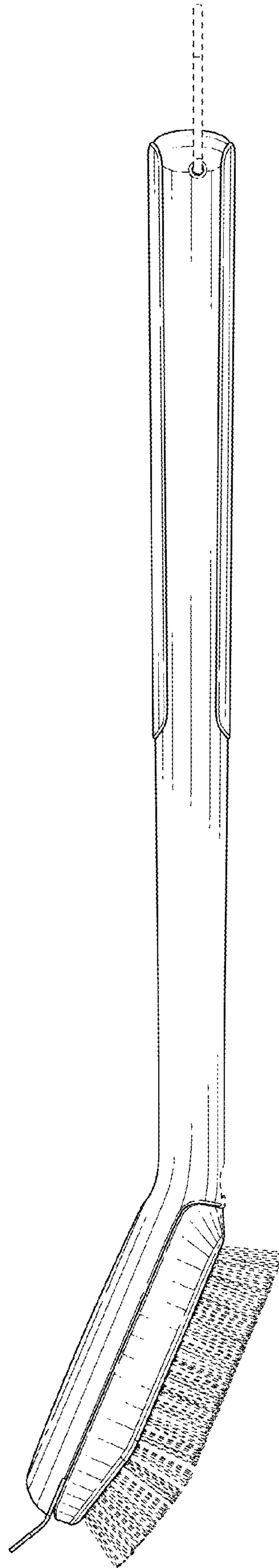


FIG. 5

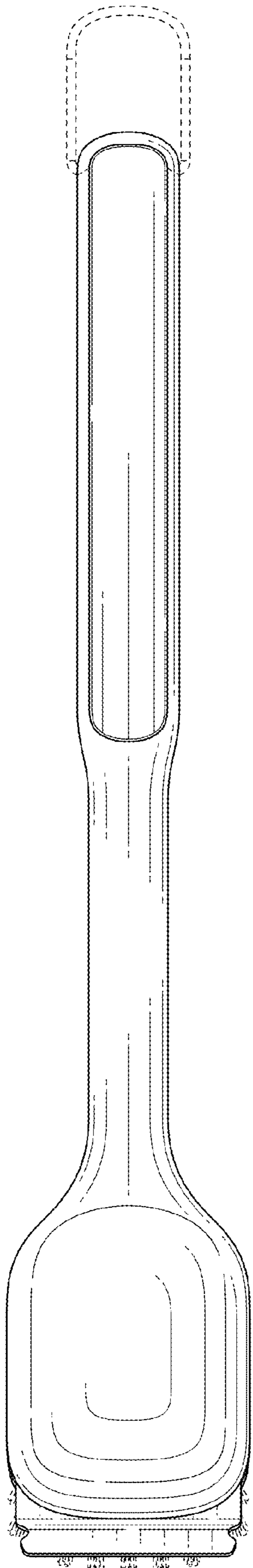


FIG. 6

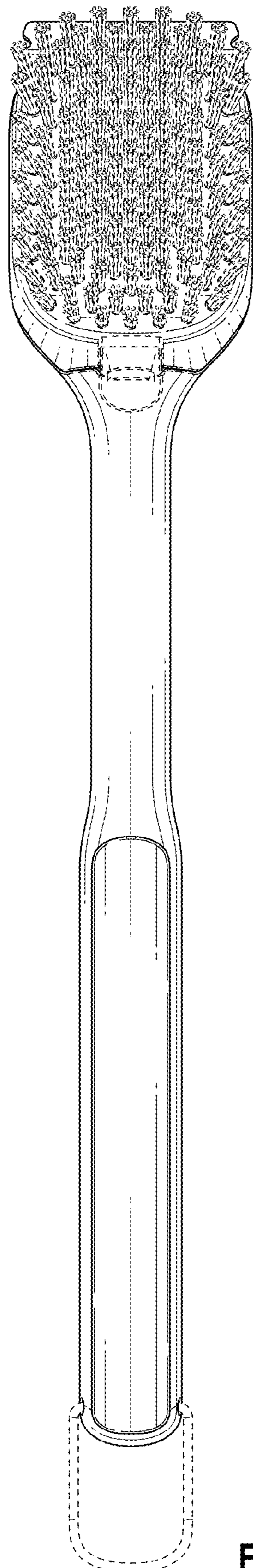


FIG. 7