



US00D984810S

(12) **United States Design Patent**  
**Han**

(10) **Patent No.:** **US D984,810 S**

(45) **Date of Patent:** **\*\* May 2, 2023**

(54) **WATER-DISPENSING SHOWER BRUSH**

(71) Applicant: **Linyi Qihong International Trade Co., Ltd., Linyi (CN)**

(72) Inventor: **Xipeng Han, Qingdao (CN)**

(73) Assignee: **Linyi Qihong International Trade Co., Ltd., Linyi (CN)**

(\*\*) Term: **15 Years**

(21) Appl. No.: **29/883,651**

(22) Filed: **Feb. 1, 2023**

(51) **LOC (14) Cl.** ..... **04-01**

(52) **U.S. Cl.**  
USPC ..... **D4/119**

(58) **Field of Classification Search**  
USPC ..... D4/119, 127, 134, 102, 114, 115;  
D23/226, 223  
CPC ..... A47K 7/022; A47K 3/281; A47K 7/02;  
A46B 15/0044; A46B 15/0006

See application file for complete search history.

(56) **References Cited**

**U.S. PATENT DOCUMENTS**

2,958,086	A *	11/1960	Scully	.....	A47K 7/02 15/160
D369,026	S *	4/1996	Furbert	.....	D23/223
D484,314	S *	12/2003	DiGioia	.....	D4/115
D620,077	S *	7/2010	Lee	.....	D23/223
D721,420	S *	1/2015	Hawkins	.....	D23/223
9,027,192	B1 *	5/2015	Cole	.....	A46B 15/0044 15/105
9,433,281	B1 *	9/2016	Barras	.....	A47K 3/281
9,676,093	B2 *	6/2017	Euloth	.....	A47K 7/022
9,730,758	B2 *	8/2017	Carlucci	.....	A46B 15/0006

D817,645	S *	5/2018	Szymanski	.....	D4/114
D820,954	S *	6/2018	Lee	.....	D23/223
D821,758	S	7/2018	Szymanski		
D823,603	S *	7/2018	Ballard	.....	D4/102
D855,760	S *	8/2019	Lee	.....	D23/223
D898,867	S *	10/2020	Yan	.....	D23/223
D928,408	S *	8/2021	Meng	.....	D4/134
D937,971	S *	12/2021	Gutman	.....	D23/223
D940,274	S *	1/2022	Zhang	.....	D23/226
D944,362	S *	2/2022	Liang	.....	D23/223
D946,902	S *	3/2022	Xiao	.....	D4/119
D965,106	S *	9/2022	Han	.....	D23/223
D979,945	S *	3/2023	He	.....	D4/127

\* cited by examiner

*Primary Examiner* — Rhea Shields

(74) *Attorney, Agent, or Firm* — Georgi Korobanov

(57) **CLAIM**

The ornamental design for a water-dispensing shower brush, as shown and described.

**DESCRIPTION**

FIG. 1 is a front, top, and right side perspective view of a water-dispensing shower brush, showing my new design; FIG. 2 is a rear, bottom and left side perspective view thereof;

FIG. 3 is a front view thereof;

FIG. 4 is a rear view thereof;

FIG. 5 is a left side view thereof;

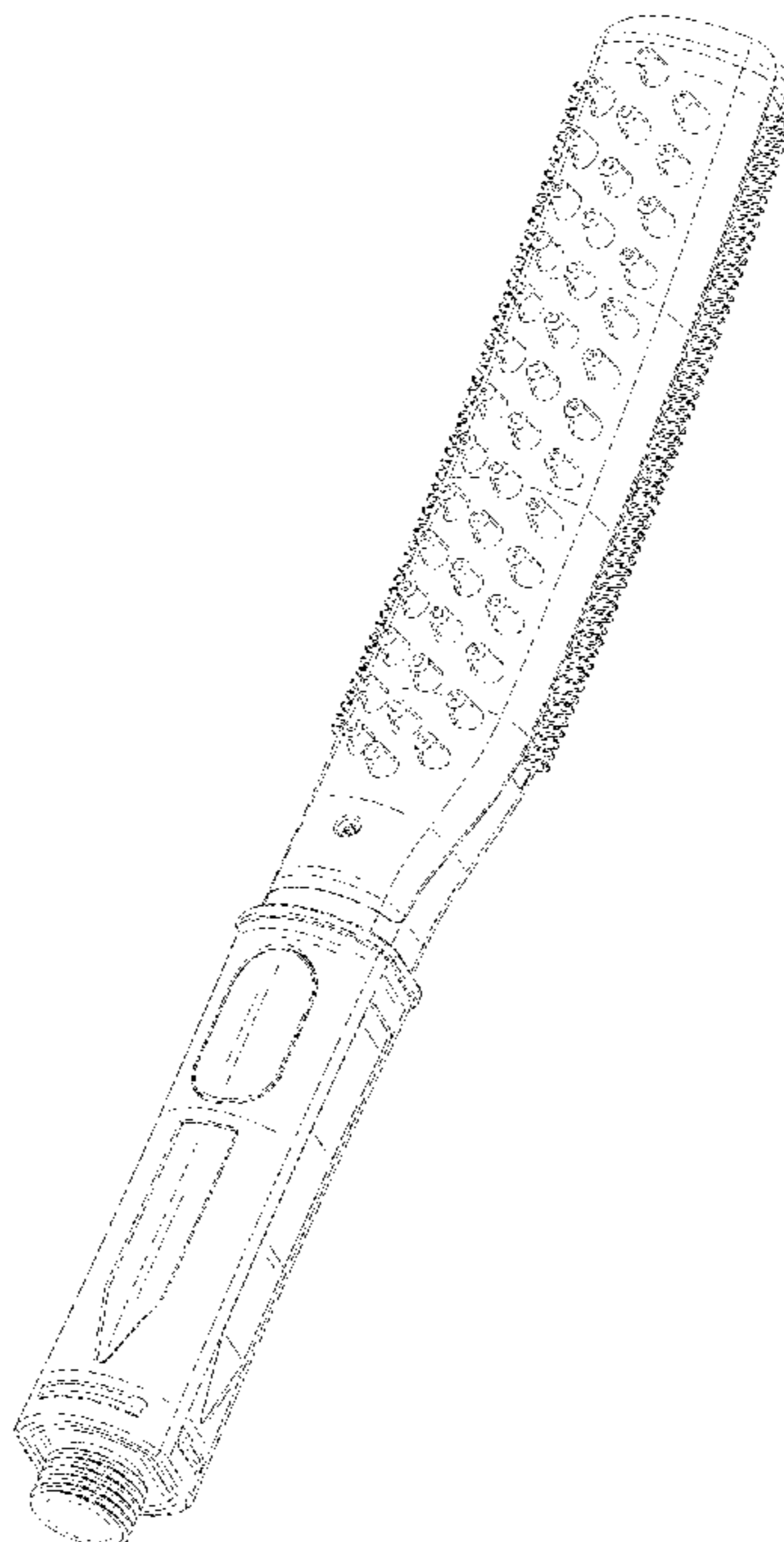
FIG. 6 is a right side view thereof;

FIG. 7 is an enlarged top plan view thereof; and,

FIG. 8 is an enlarged bottom plan view thereof.

The broken lines shown in the drawings illustrate portions of the water-dispensing shower brush that form no part of the claimed design.

**1 Claim, 8 Drawing Sheets**



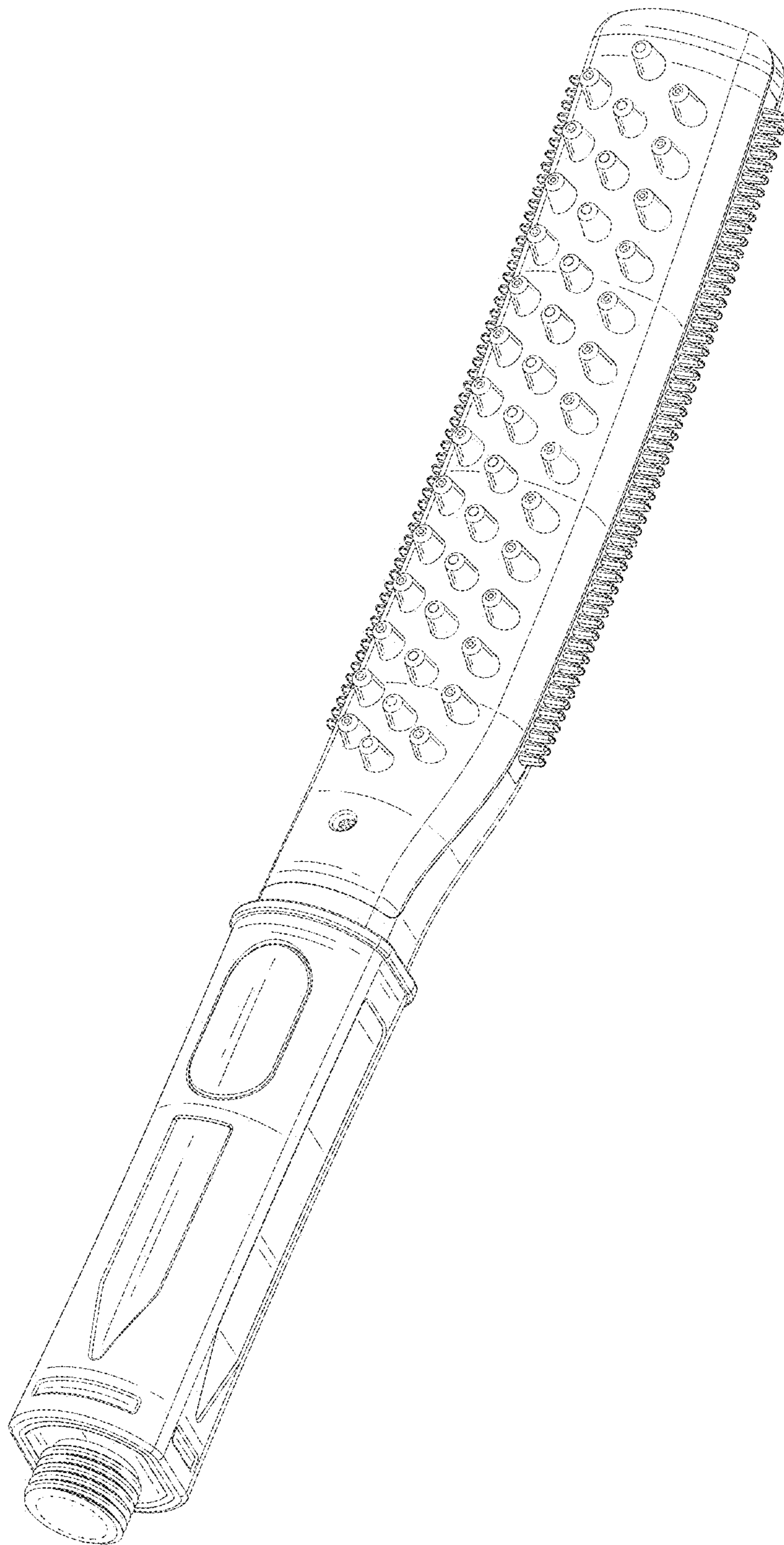


FIG. 1

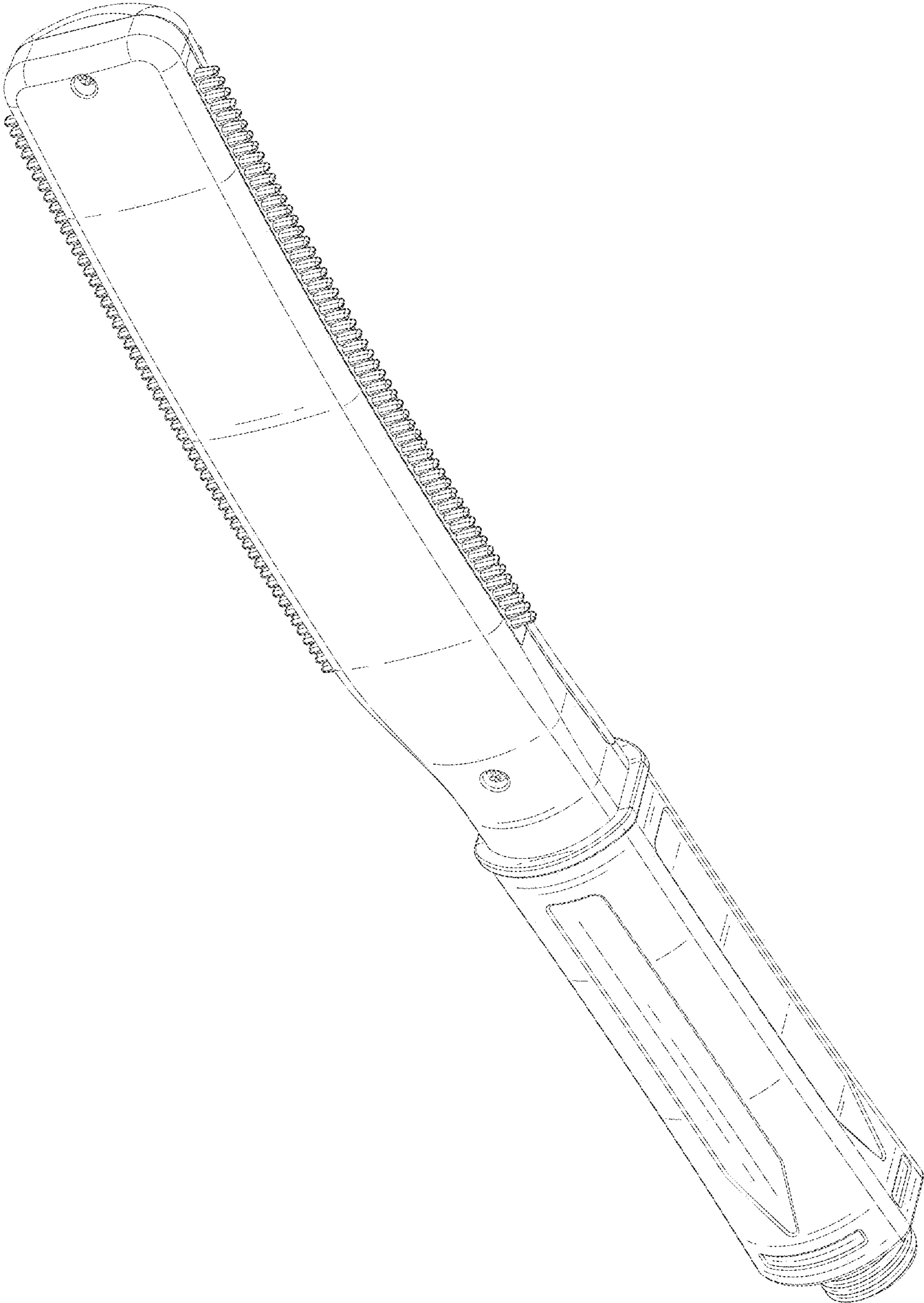


FIG. 2

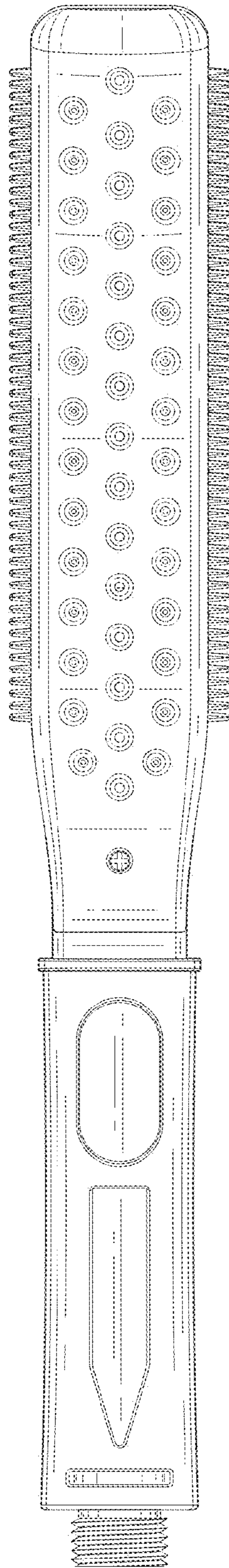


FIG. 3

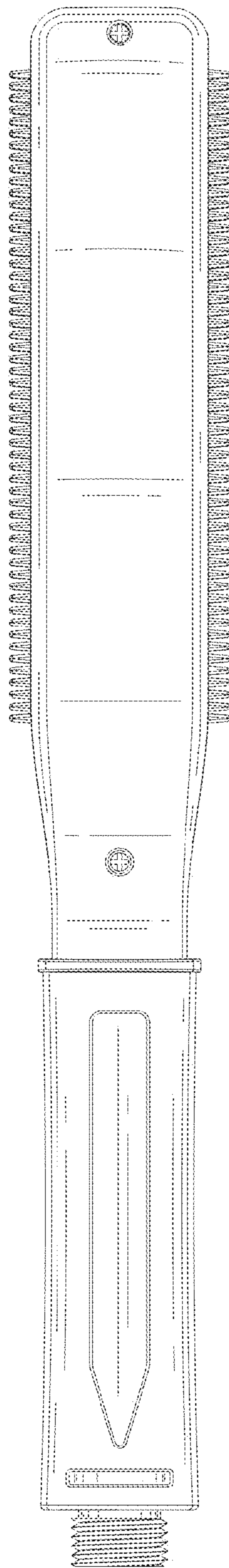


FIG. 4

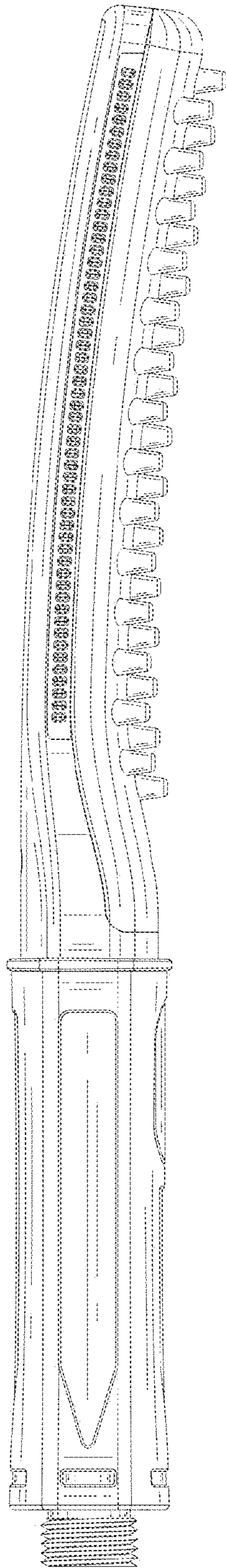


FIG. 5

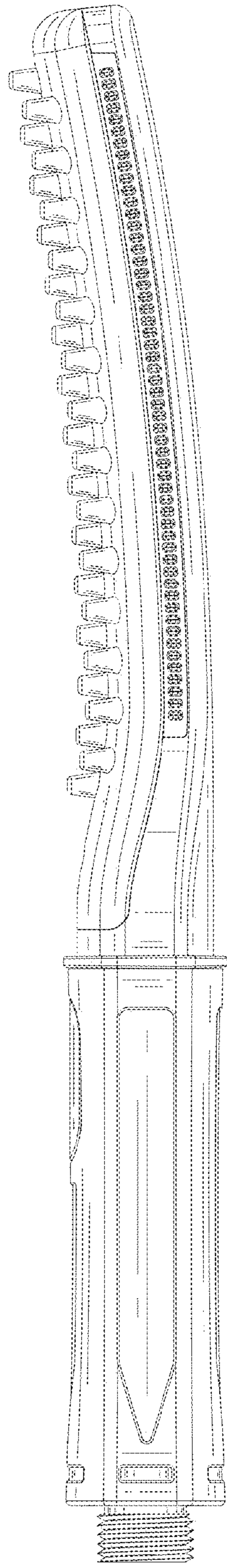


FIG. 6

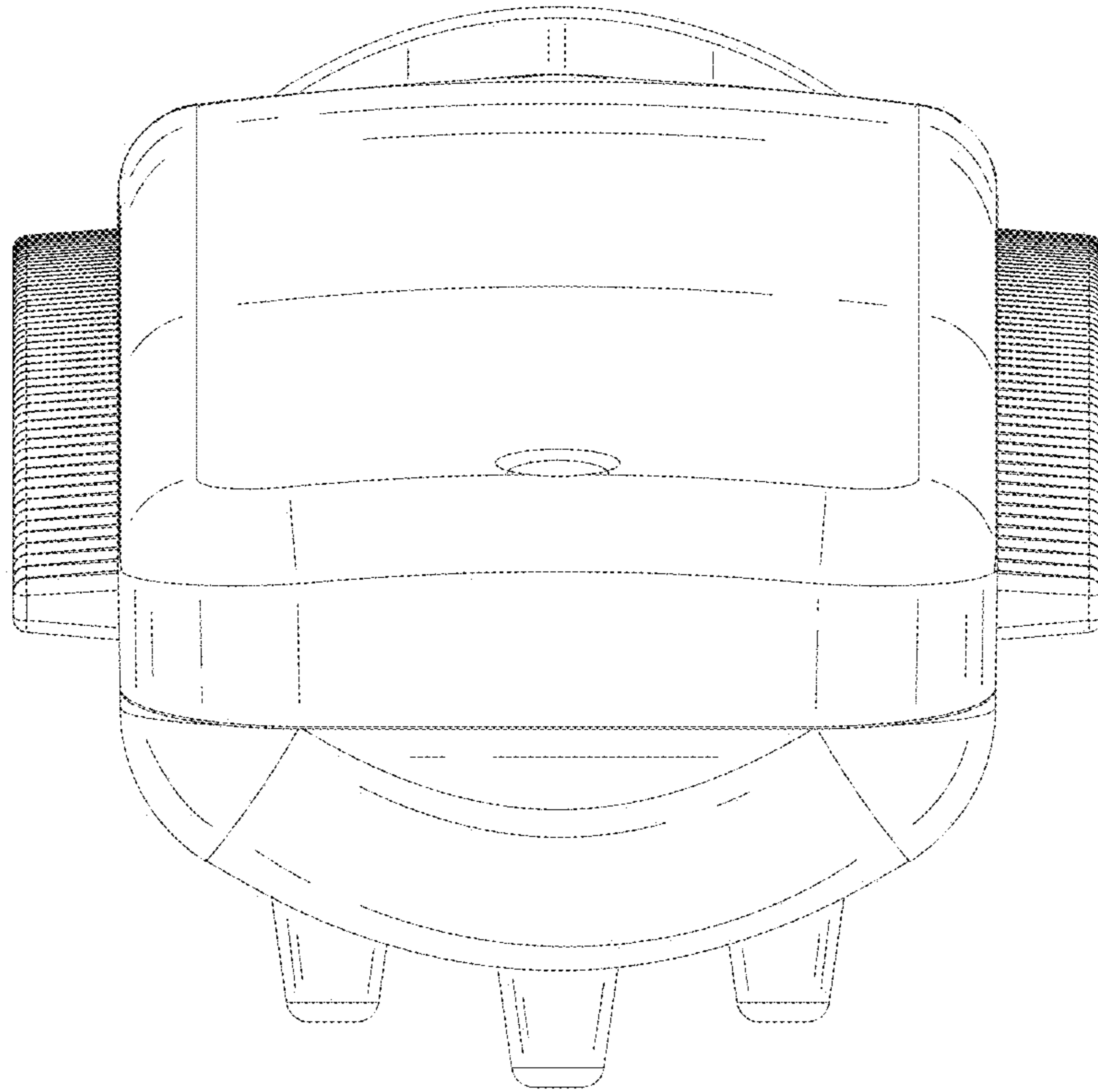


FIG. 7



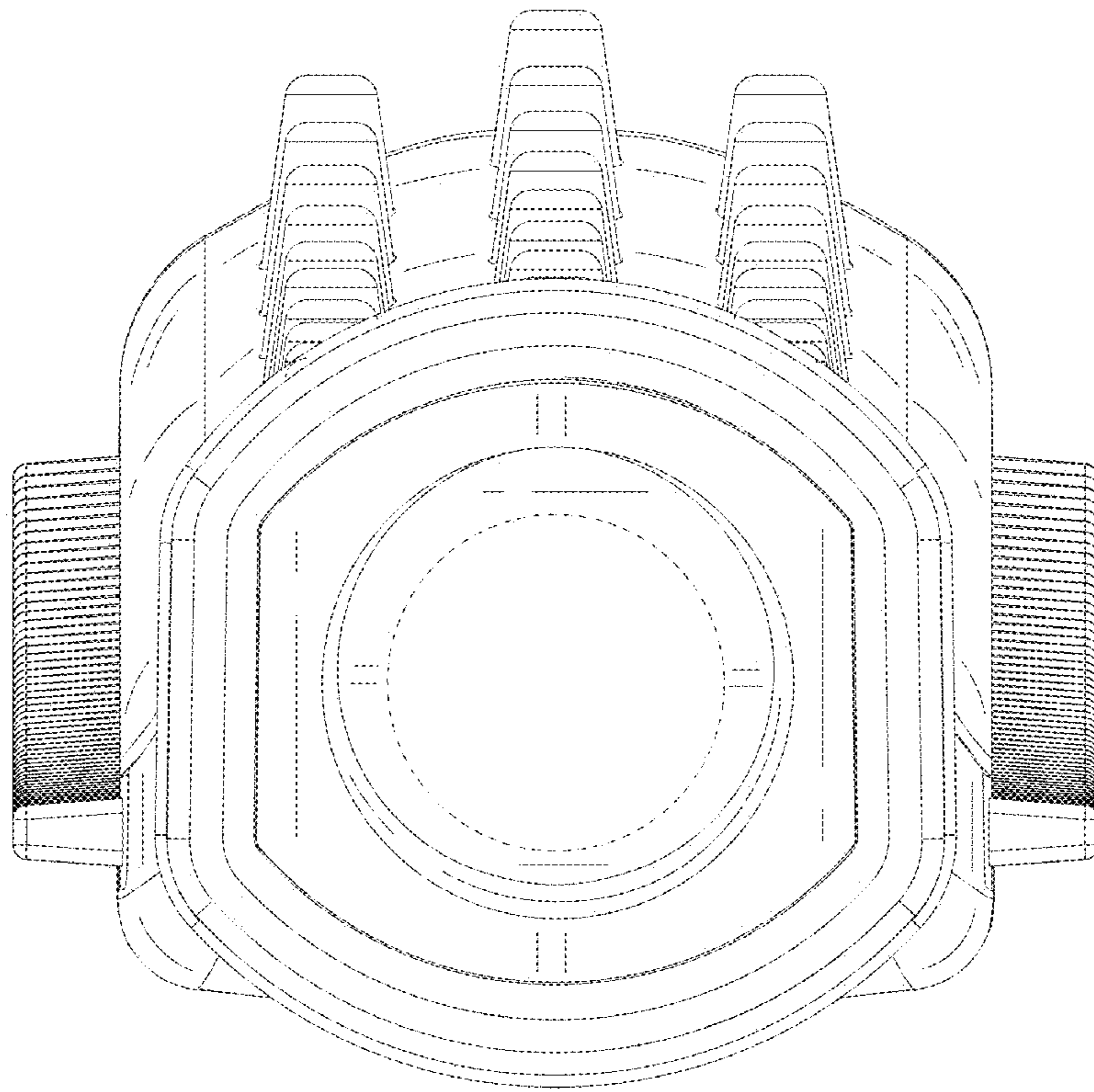


FIG. 8