



US00D984808S

(12) **United States Design Patent** (10) **Patent No.:** **US D984,808 S**
Hsu (45) **Date of Patent:** **** May 2, 2023**

(54) **CONTAINER**

(71) Applicant: **L&F PLASTICS, CO., LTD.**, Miaoli County (TW)

(72) Inventor: **Mu-Chuan Hsu**, Miaoli County (TW)

(73) Assignee: **L&F PLASTICS, CO., LTD.**, Miaoli County (TW)

(**) Term: **15 Years**

(21) Appl. No.: **29/773,938**

(22) Filed: **Mar. 12, 2021**

(30) **Foreign Application Priority Data**

Sep. 18, 2020 (TW) 109305297

(51) **LOC (14) Cl.** **09-04**

(52) **U.S. Cl.**
USPC **D3/304**

(58) **Field of Classification Search**
USPC D3/302, 304, 305, 307, 309-314, 318, D3/319, 323; D7/560-562, 602, 605; D9/702-714, 719, 738-740, 517-518, D9/522, 416, 425, 435, 444, 460, 455, D9/414, 499, 431-432; D24/100-234
CPC A45C 7/0077; A45C 3/04; A45C 3/10; B65D 43/0218; B65D 33/02; B65D 33/00; B65D 33/06; B65D 33/065; B65D 33/14; B65D 33/1683; B65D 33/12; B65D 33/24; B65D 31/00; B65D 31/04; B65D 31/10; B65D 21/222; B65D 21/233; B65D 21/62; B65D 21/223; B65D 25/2841; B65D 25/25; B65D 81/3813; B65D 81/3823; D06F 95/002

See application file for complete search history.

(56) **References Cited**

U.S. PATENT DOCUMENTS

D235,054	S	*	5/1975	Herman	D3/304
D376,693	S	*	12/1996	Wolff	D3/323
D436,729	S	*	1/2001	Aiken	D3/304
D596,857	S	*	7/2009	Ahlgrim	D3/307
D753,918	S	*	4/2016	Lindsay	D19/86
D758,730	S	*	6/2016	Berger	D3/304
D836,339	S	*	12/2018	Winn	B65D 5/6697
						D3/294
D901,293	S	*	11/2020	Plattner	D9/425
D903,317	S	*	12/2020	Kyte	D3/272
D914,368	S	*	3/2021	Gruenbeck	D3/323
D938,894	S	*	12/2021	Guo	D12/423
D949,566	S	*	4/2022	Ritzberger	D9/425
2022/0089324	A1	*	3/2022	Whitta	B65D 1/22

* cited by examiner

Primary Examiner — Mary Shannon Malley

Assistant Examiner — Christopher John Suarez La Rosa

(74) *Attorney, Agent, or Firm* — Millen, White, Zelano & Branigan, P.C.; William Nixon; Wan-Ching Montfort

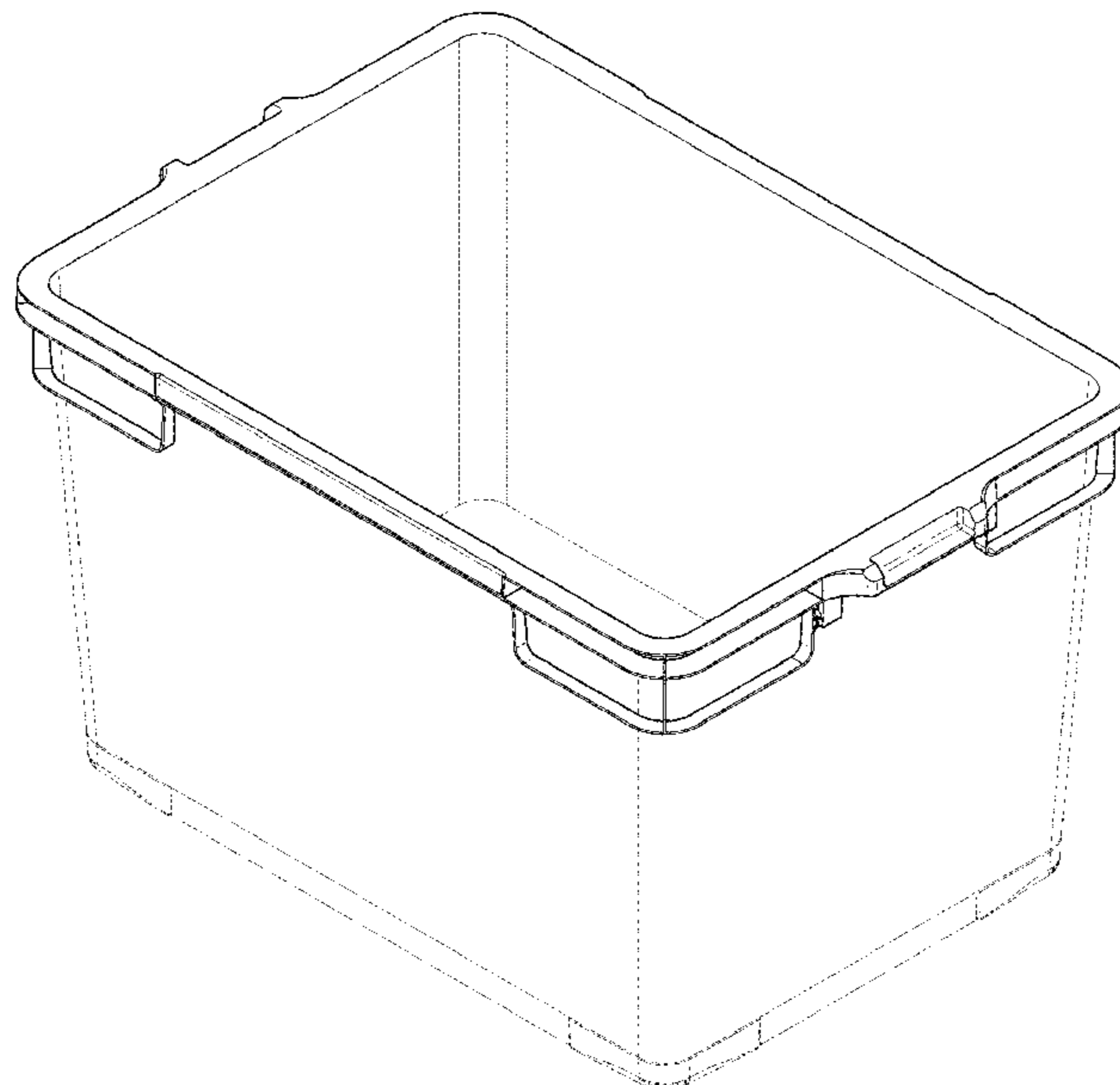
(57) **CLAIM**

The ornamental design for a container, as shown and described.

DESCRIPTION

FIG. 1 is a top front perspective view of a container showing our new design;
FIG. 2 is a front view thereof and the rear view being a mirror image;
FIG. 3 is a left side view thereof and the right side view being a mirror image;
FIG. 4 is a top view thereof;
FIG. 5 is a bottom view thereof; and,
FIG. 6 is a bottom front perspective view thereof.
The dashed broken lines in the figures show portions of the container that form no part of the claimed design.

1 Claim, 6 Drawing Sheets



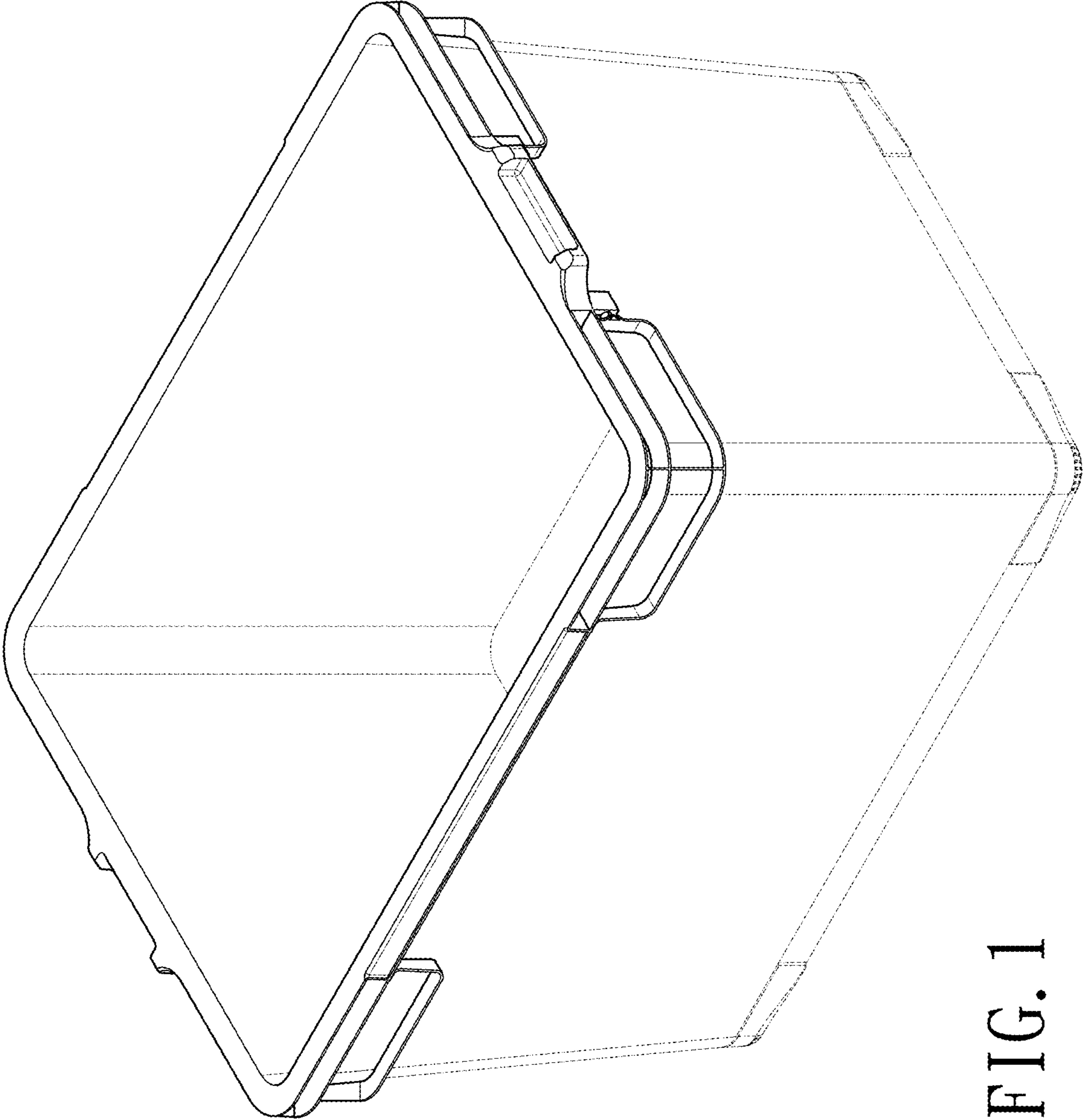


FIG. 1

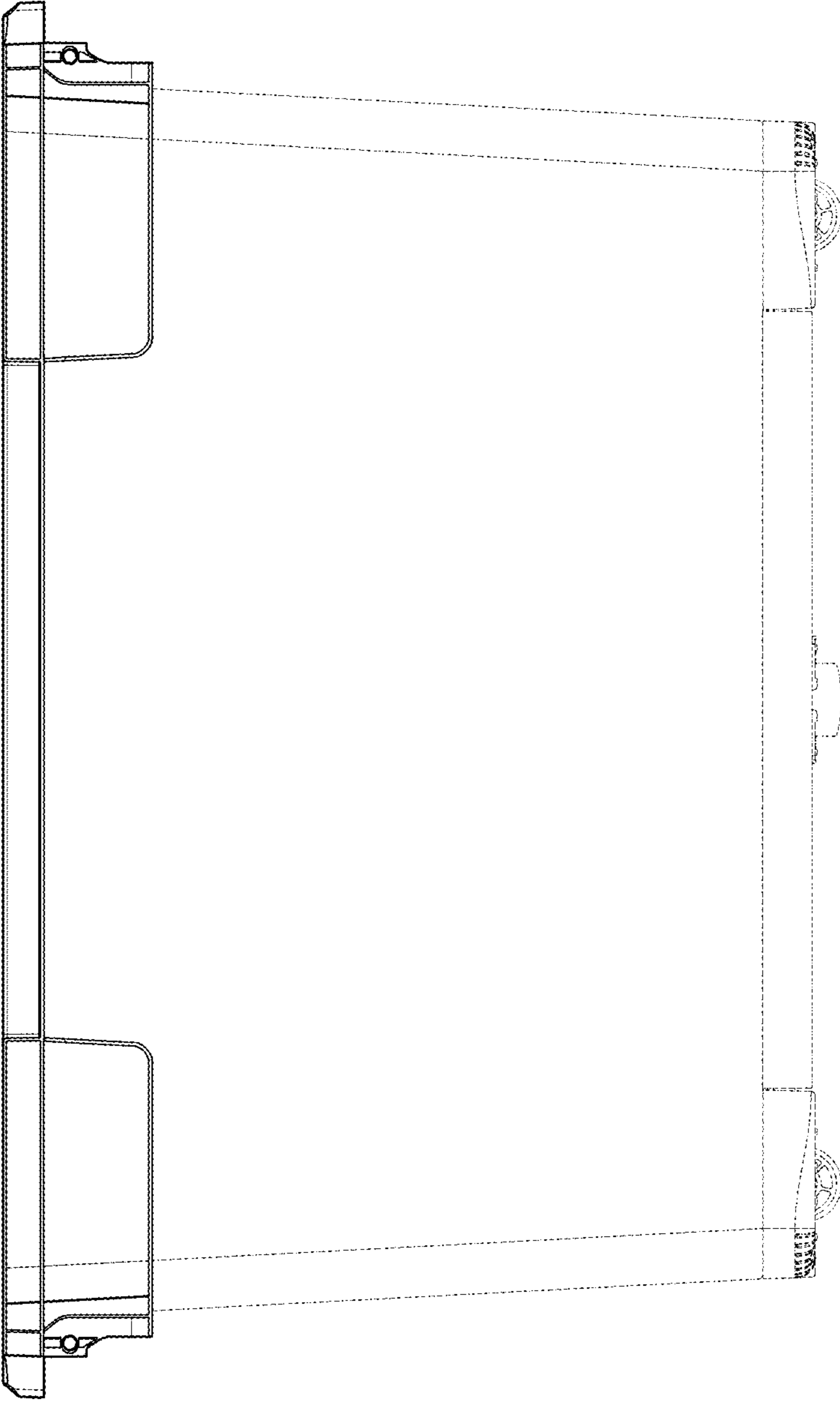


FIG. 2

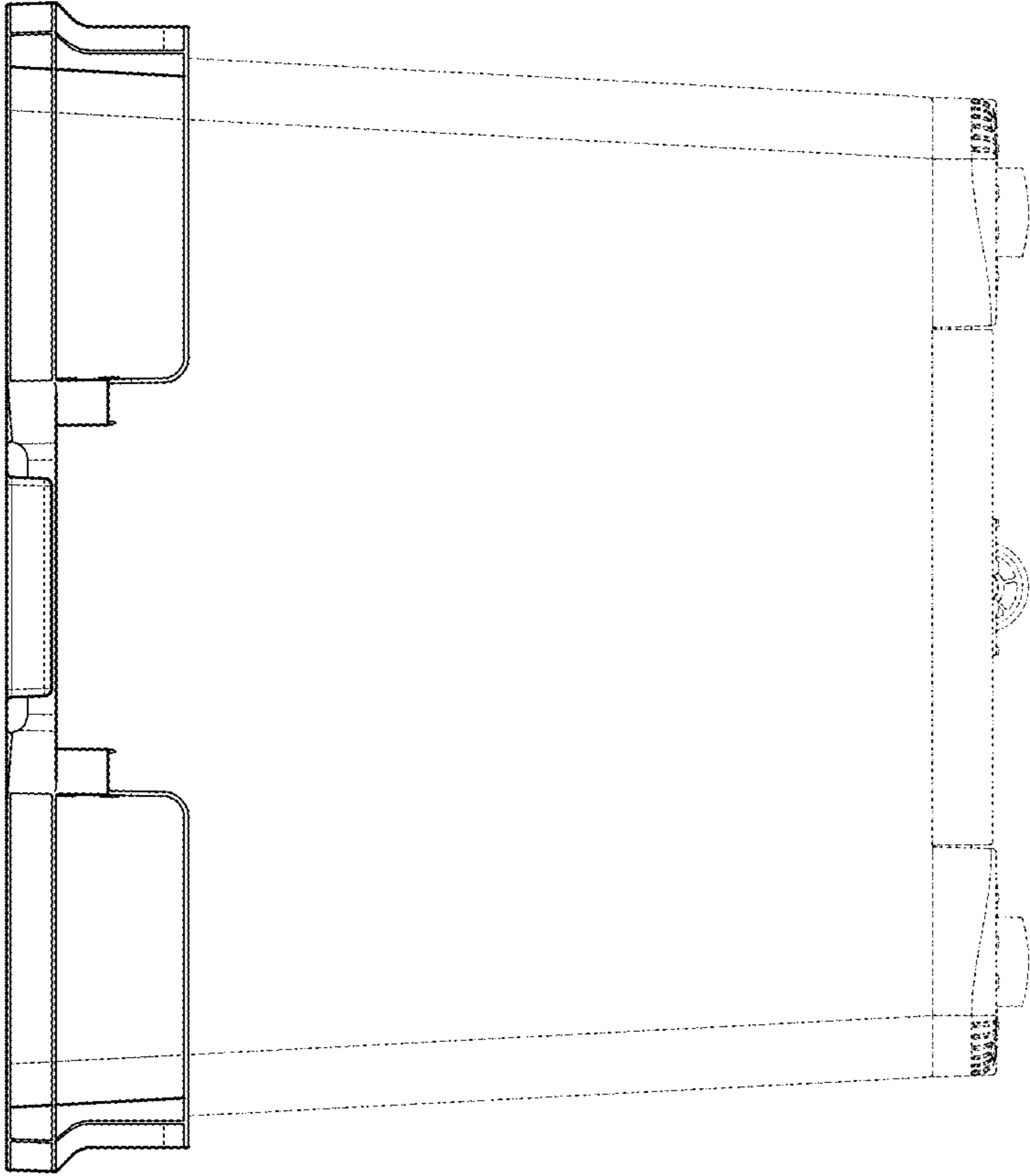


FIG. 3

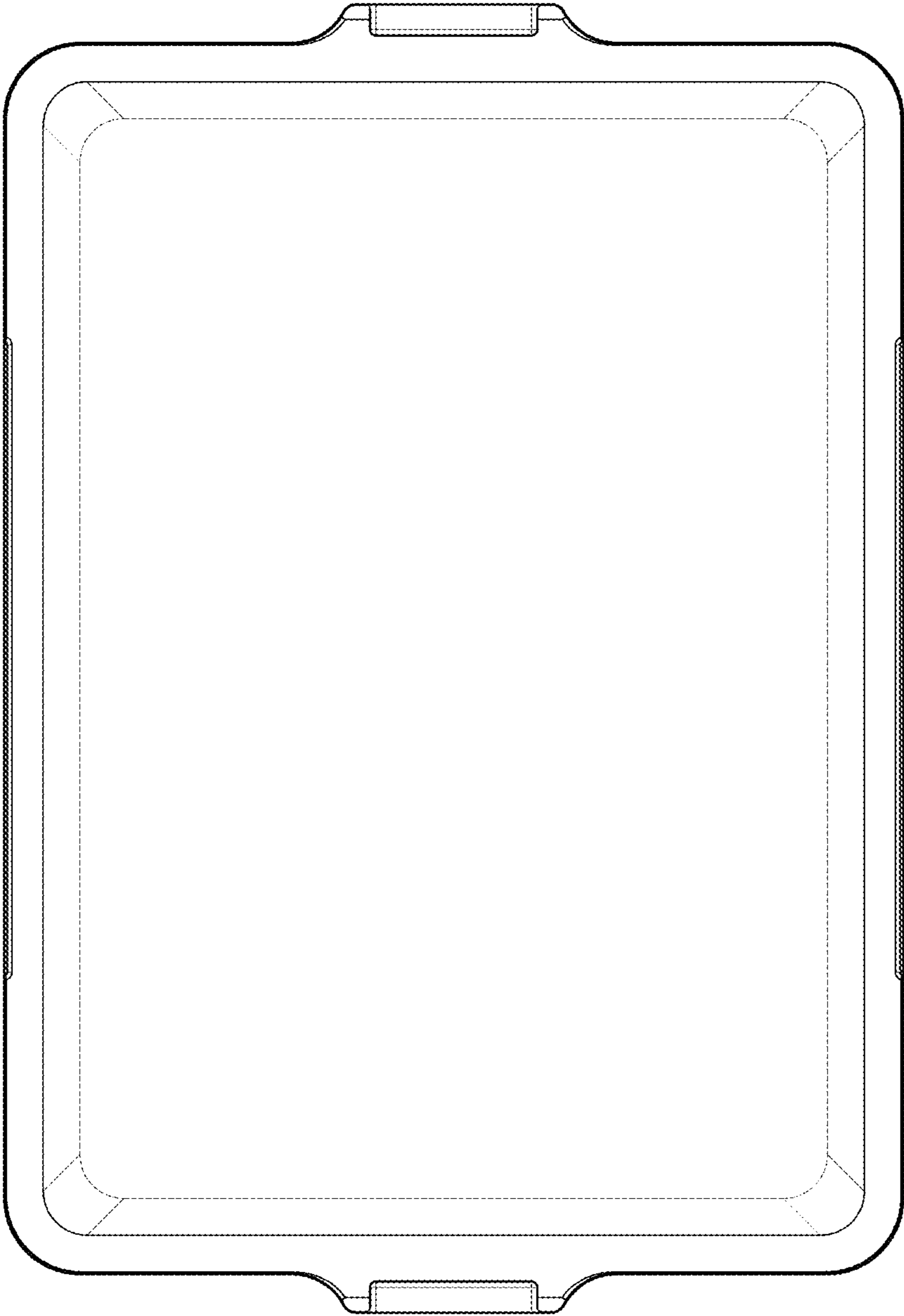


FIG. 4

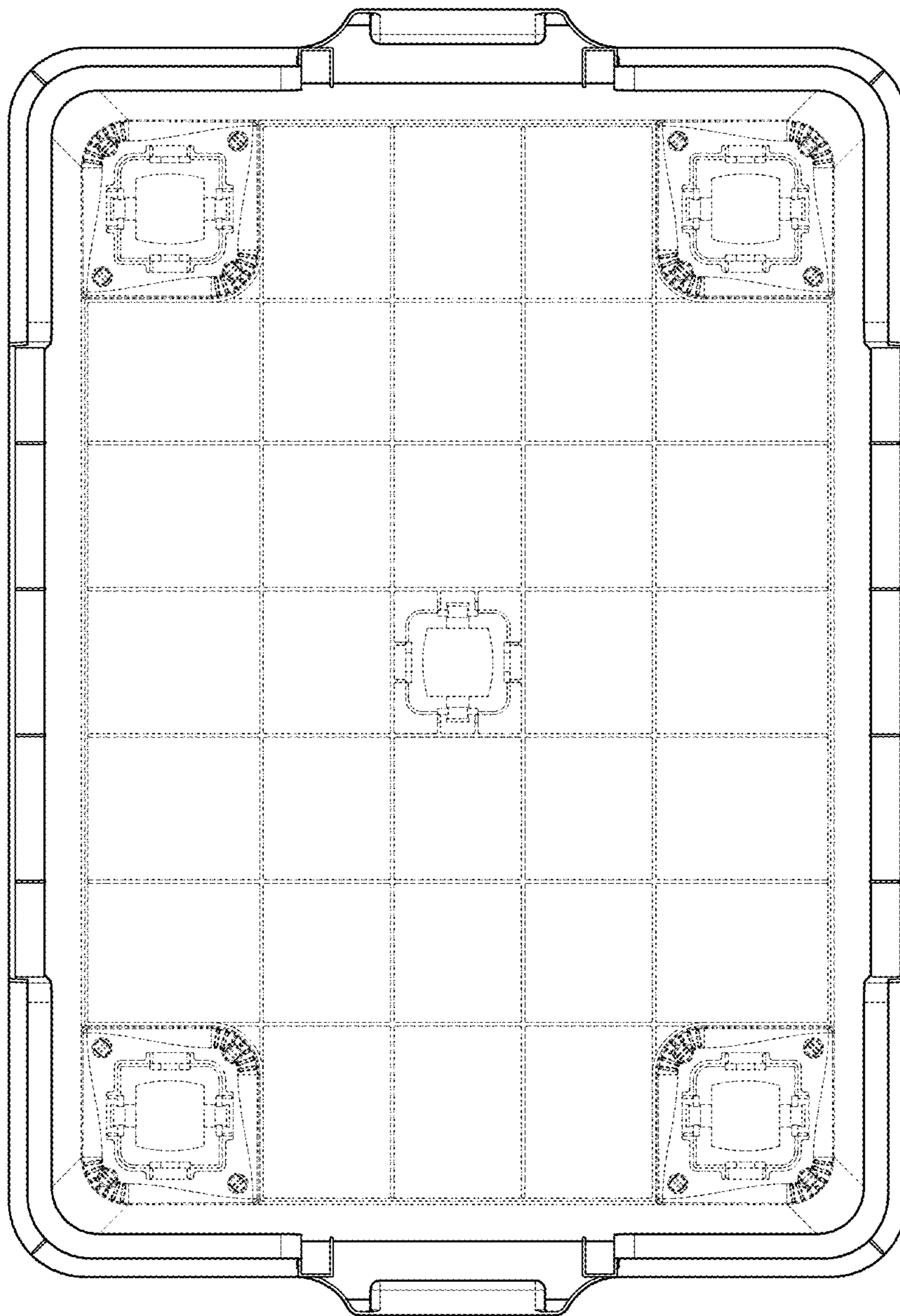


FIG. 5

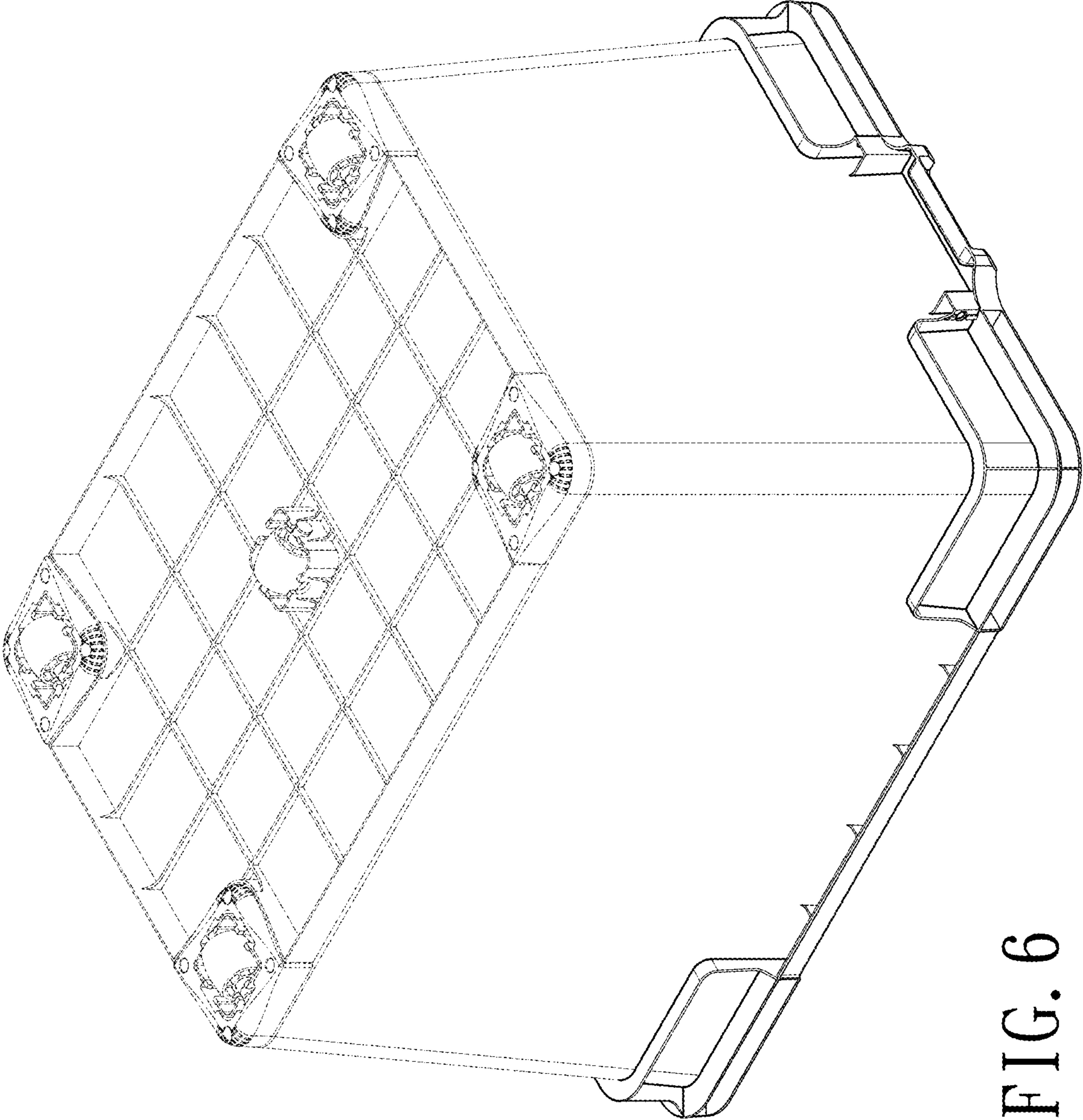


FIG. 6