



US00D984805S

(12) **United States Design Patent** (10) **Patent No.:** **US D984,805 S**
Cheng (45) **Date of Patent:** **** May 2, 2023**

(54) **SUITCASE**

(71) Applicant: **Yao Cheng**, Nanchang (CN)

(72) Inventor: **Yao Cheng**, Nanchang (CN)

(**) Term: **15 Years**

(21) Appl. No.: **29/881,681**

(22) Filed: **Jan. 5, 2023**

(51) **LOC (14) Cl.** **03-01**

(52) **U.S. Cl.**
USPC **D3/281; D3/284; D3/901**

(58) **Field of Classification Search**
USPC D3/276, 282, 291, 294, 905, 901, 903,
D3/284, 289, 302, 271.2, 281

CPC B25H 3/02; B25H 3/00
See application file for complete search history.

(56) **References Cited**

U.S. PATENT DOCUMENTS

D315,247 S *	3/1991	Lovell	D3/901
D337,198 S *	7/1993	Chauvin	D3/901
D351,283 S *	10/1994	Wolff	D3/205
D354,622 S *	1/1995	Lovell	D3/901
D371,906 S *	7/1996	Peters	D3/276
D657,915 S *	4/2012	Lai	D3/901
D853,113 S *	7/2019	Wang	
D872,477 S *	1/2020	Perella	D3/901
D937,562 S *	12/2021	Lateef	D3/203.1
D946,883 S *	3/2022	Lateef	D3/203.1

OTHER PUBLICATIONS

Amazon, "OSteed Craft Storage Organizer . . .", First on sale Dec. 12, 2022. (<https://www.amazon.com/dp/B0BPSB2R24/?th=1>) (Year: 2022).*

Amazon, "Sooyee Craft Organizers and Storage . . .", First on sale Jan. 14, 2021. (<https://www.amazon.com/dp/B08T1DWGH3/?th=1>) (Year: 2021).*

Joybos, "Joybos® Craft Storage Box With 3-Tier Fold Tray and Handle", First reviewed "three months ago". Estimated Dec. 1, 2022. (<https://joybos.com/products/storage-box-2?variant=41868192547000>) (Year: 2022).*

* cited by examiner

Primary Examiner — April Rivas

(57) **CLAIM**

The ornamental design for a suitcase, as shown and described.

DESCRIPTION

FIG. 1 is a front perspective view of a suitcase, showing my new design;

FIG. 2 is a rear perspective view thereof;

FIG. 3 is a front view thereof;

FIG. 4 is a rear view thereof;

FIG. 5 is a left side view thereof;

FIG. 6 is a right side view thereof;

FIG. 7 is a top view thereof;

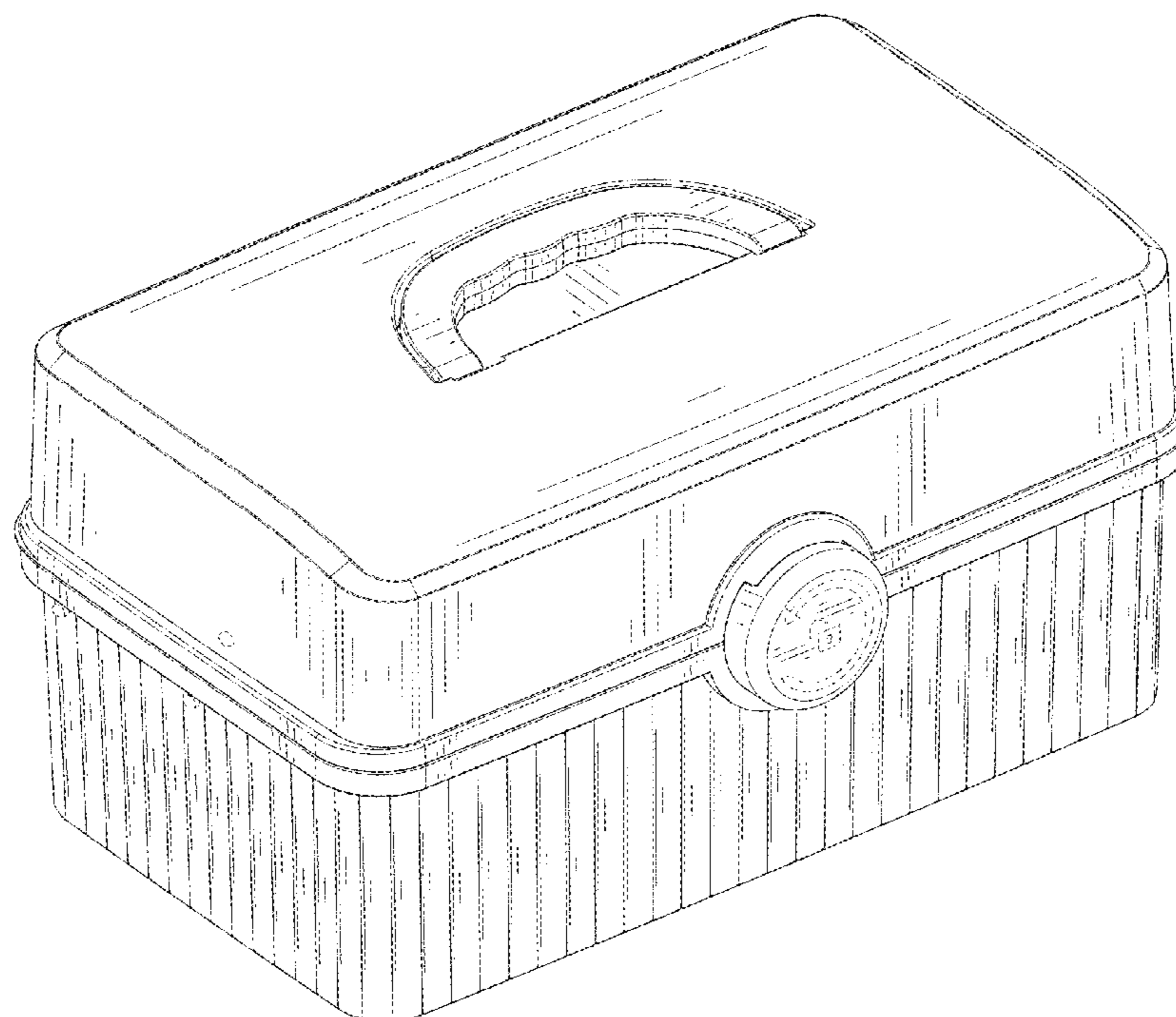
FIG. 8 is a bottom view thereof;

FIG. 9 is front perspective view of the suitcase, shown in an open configuration; and,

FIG. 10 is a partial enlargement of FIG. 5.

The broken lines in the drawings illustrate portion of the suitcase, which form no part of the claimed design. The dash-dot broken lines illustrate the bounds of the enlarged view only and form no part of the claimed design.

1 Claim, 10 Drawing Sheets



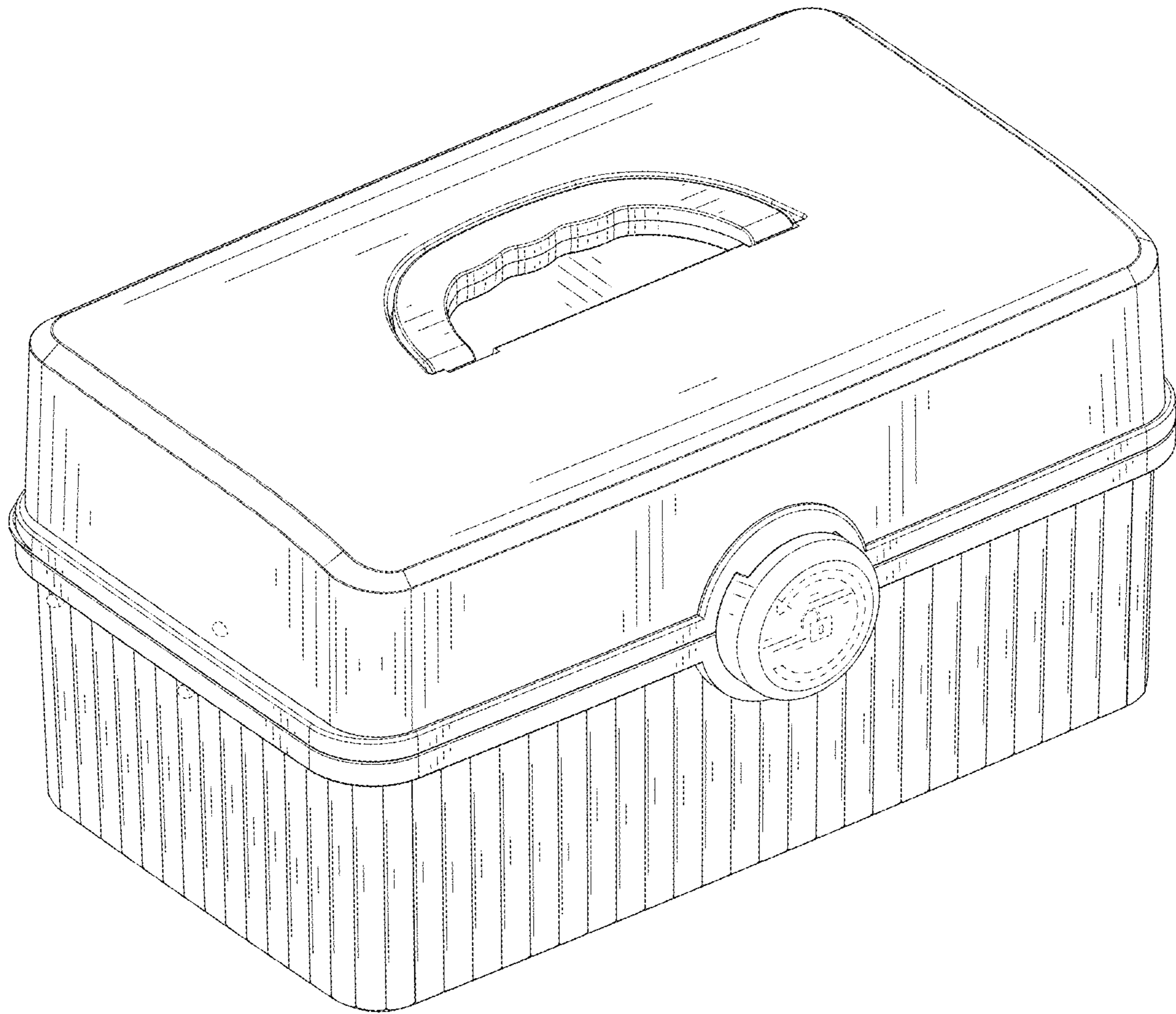


FIG. 1

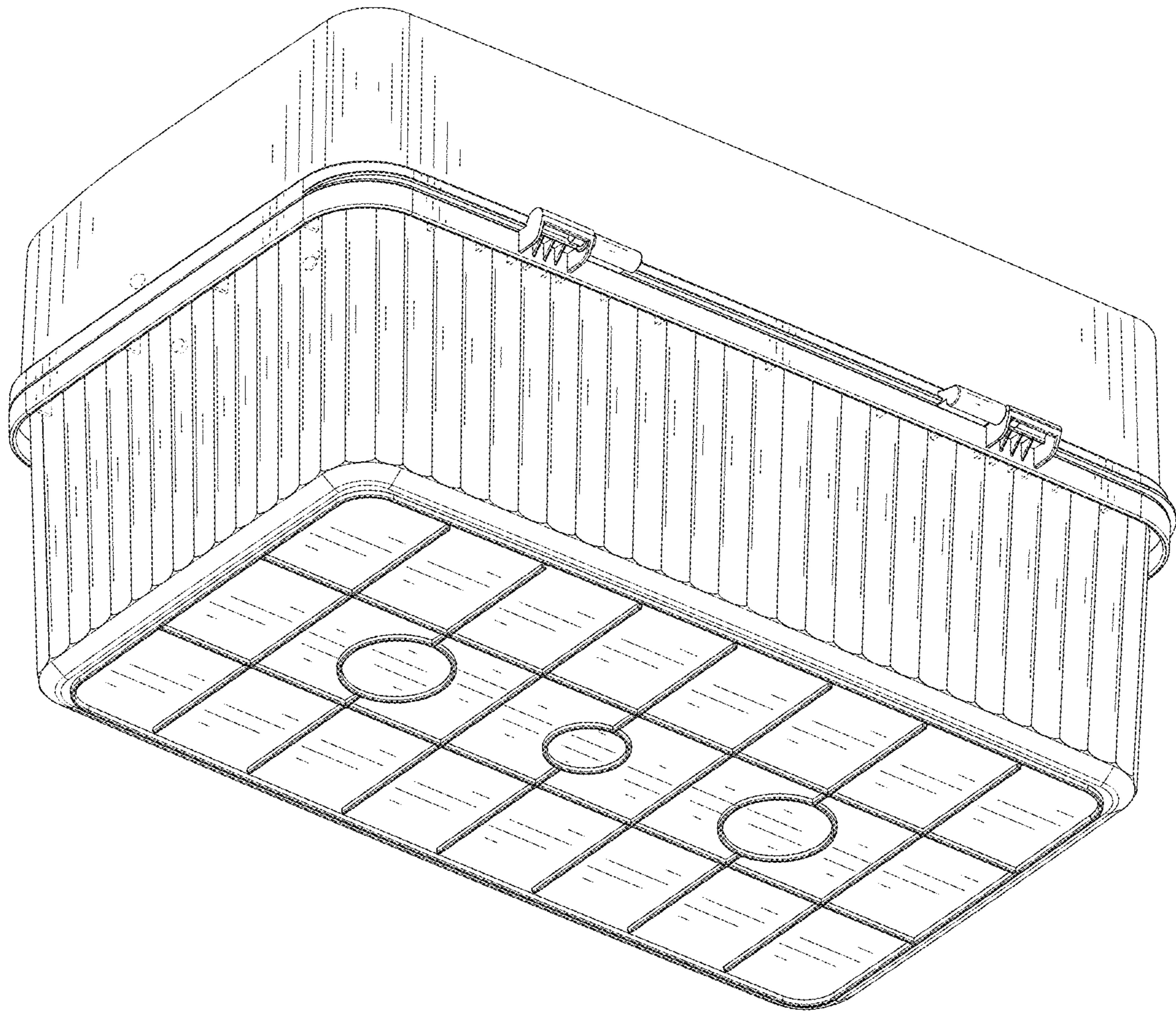


FIG. 2

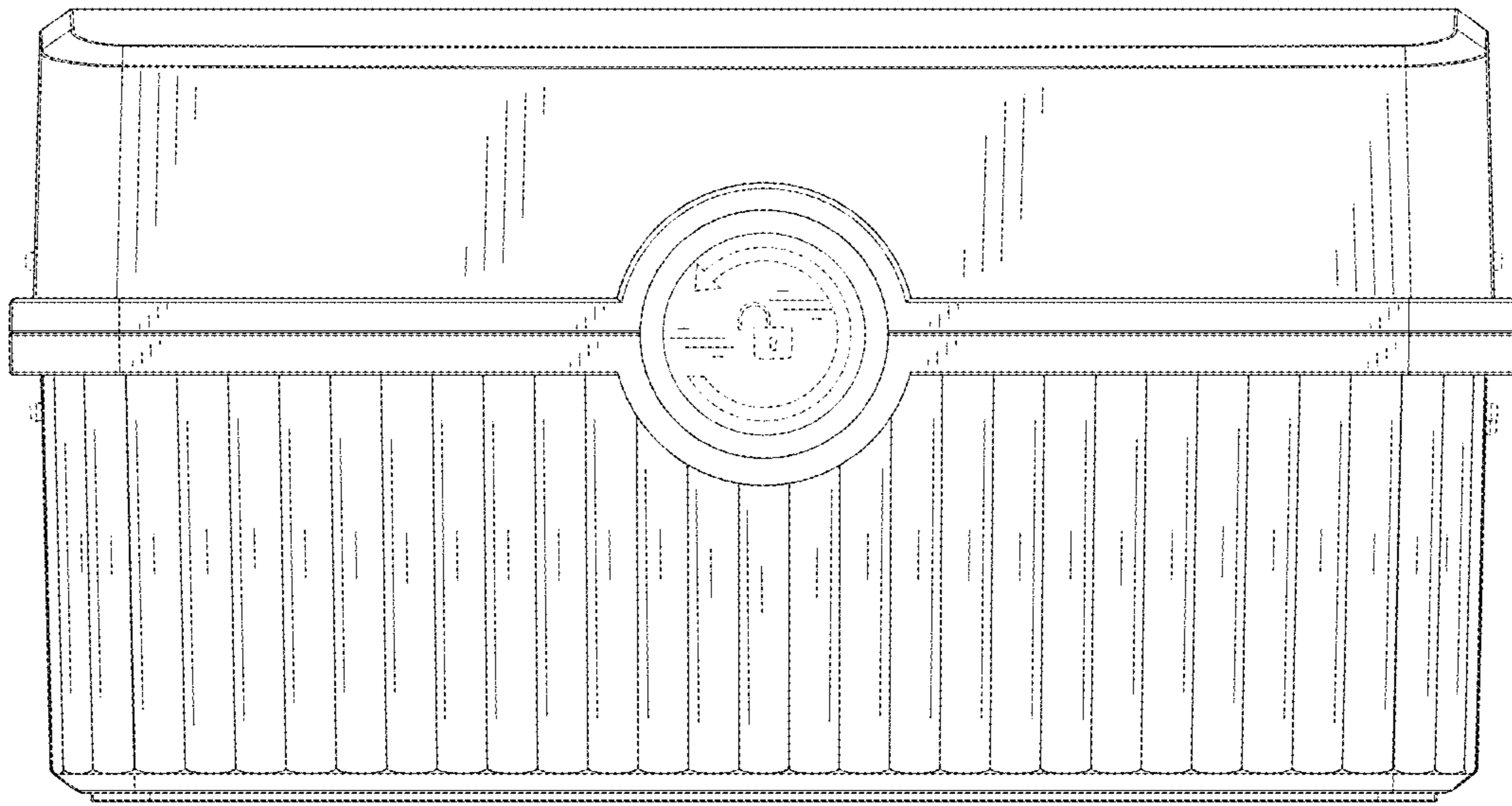


FIG. 3

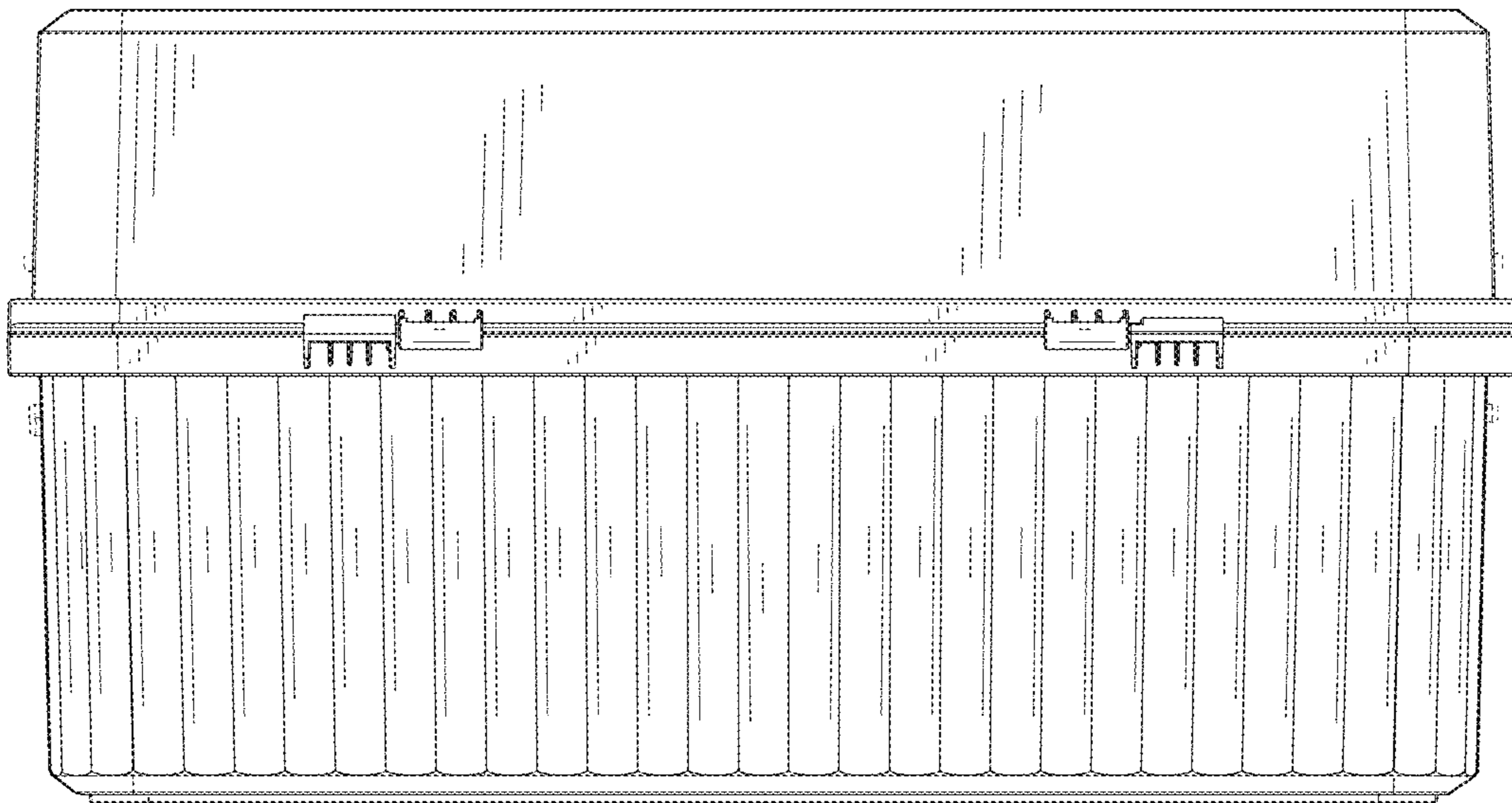


FIG. 4

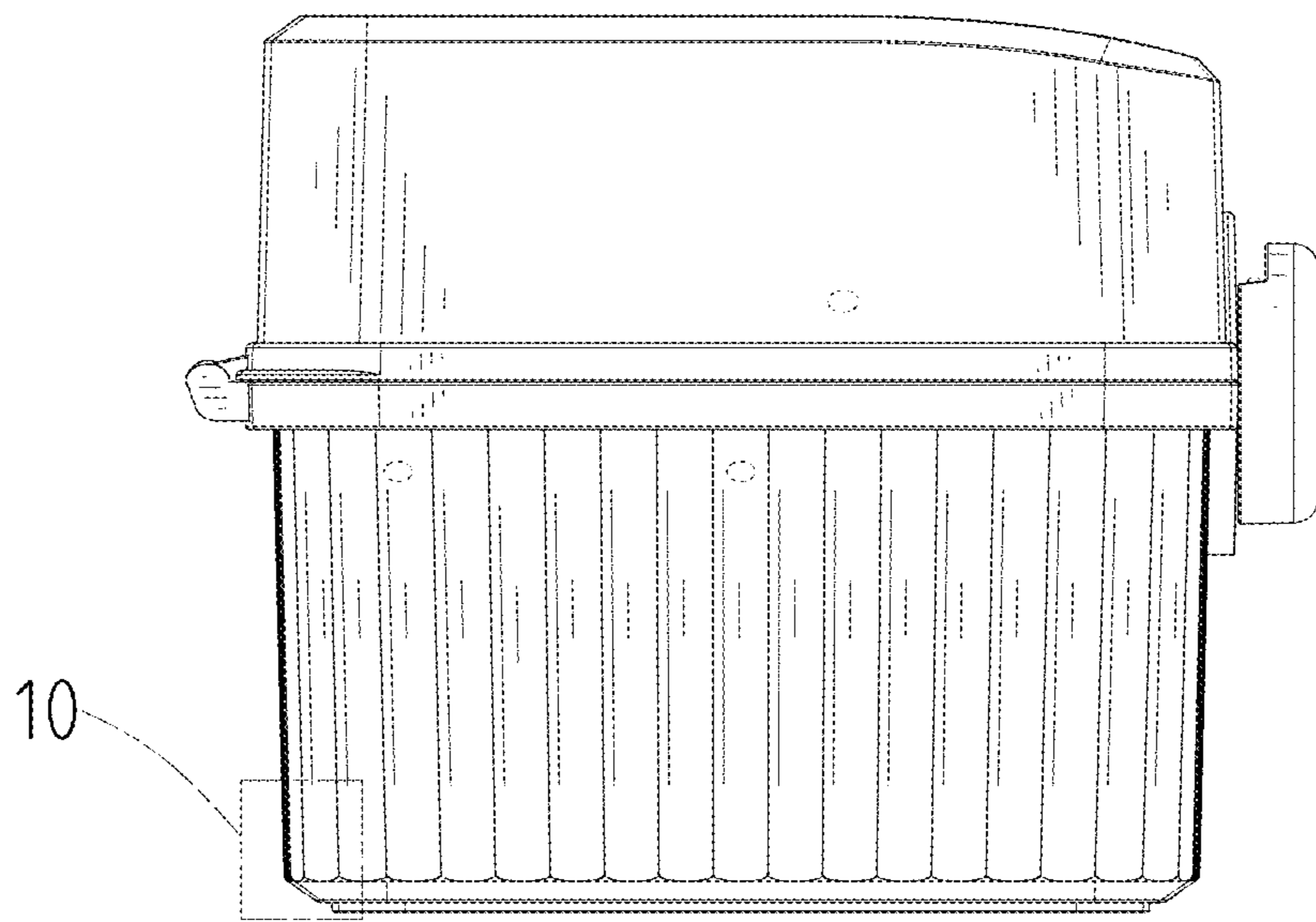


FIG. 5

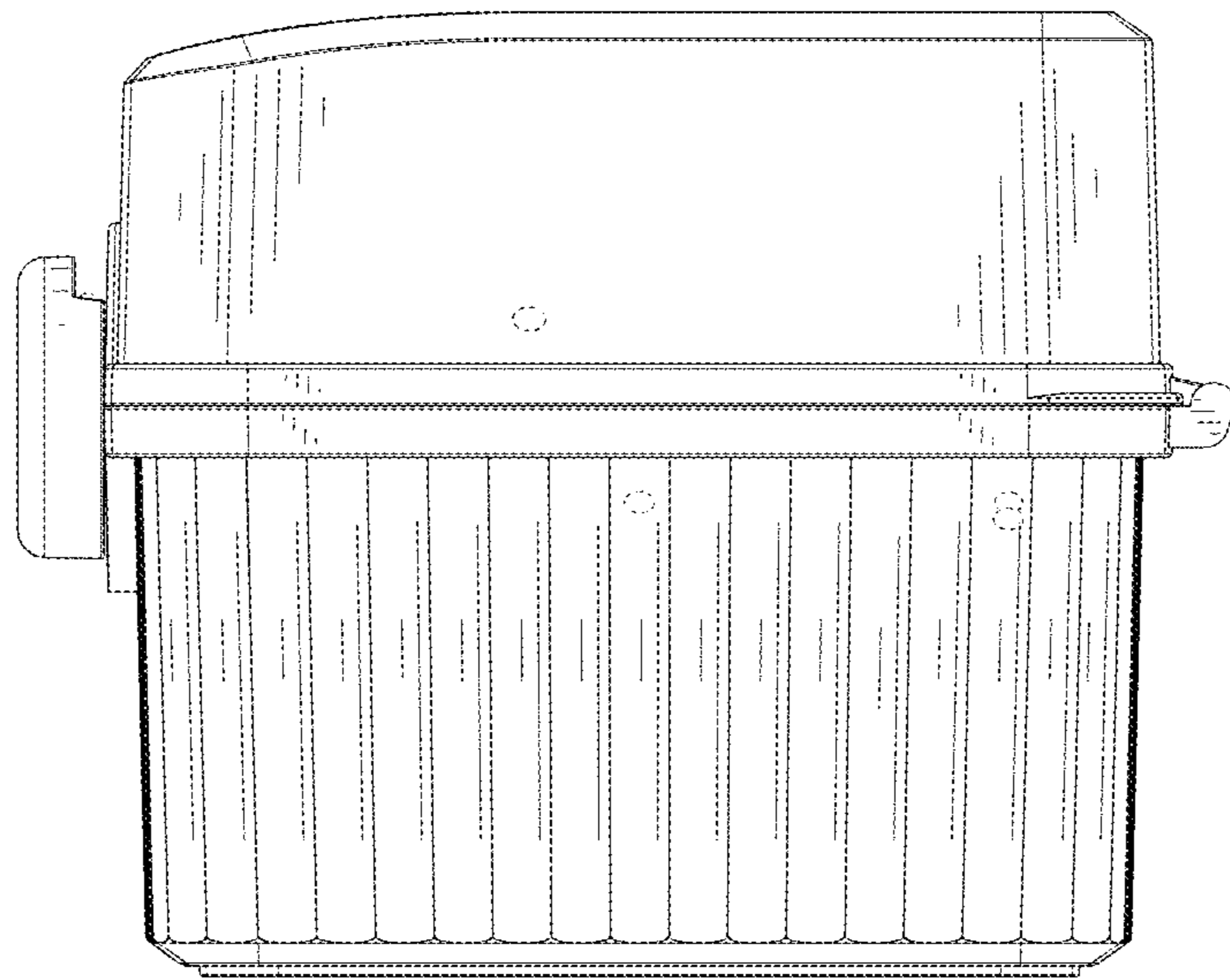


FIG. 6

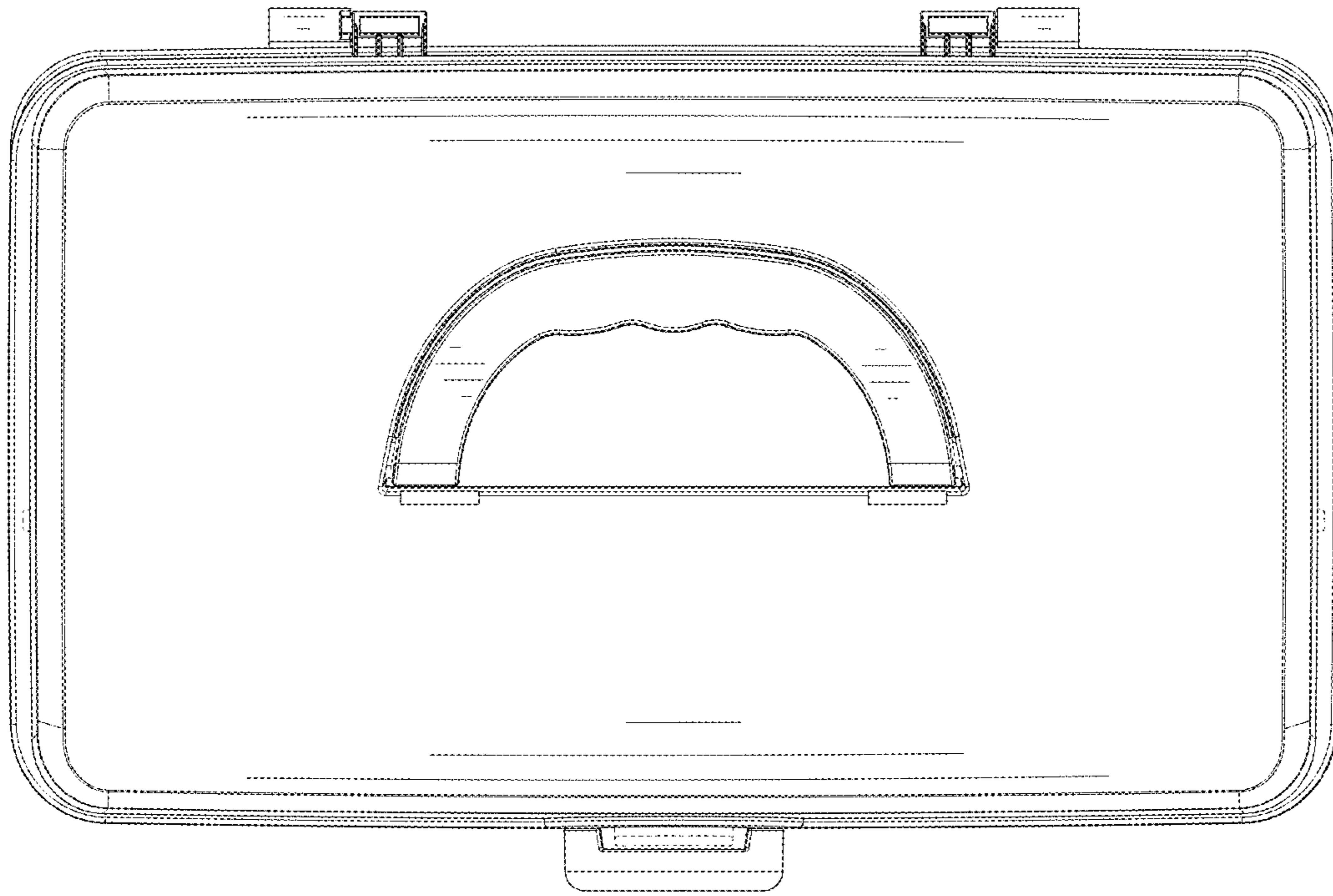


FIG. 7

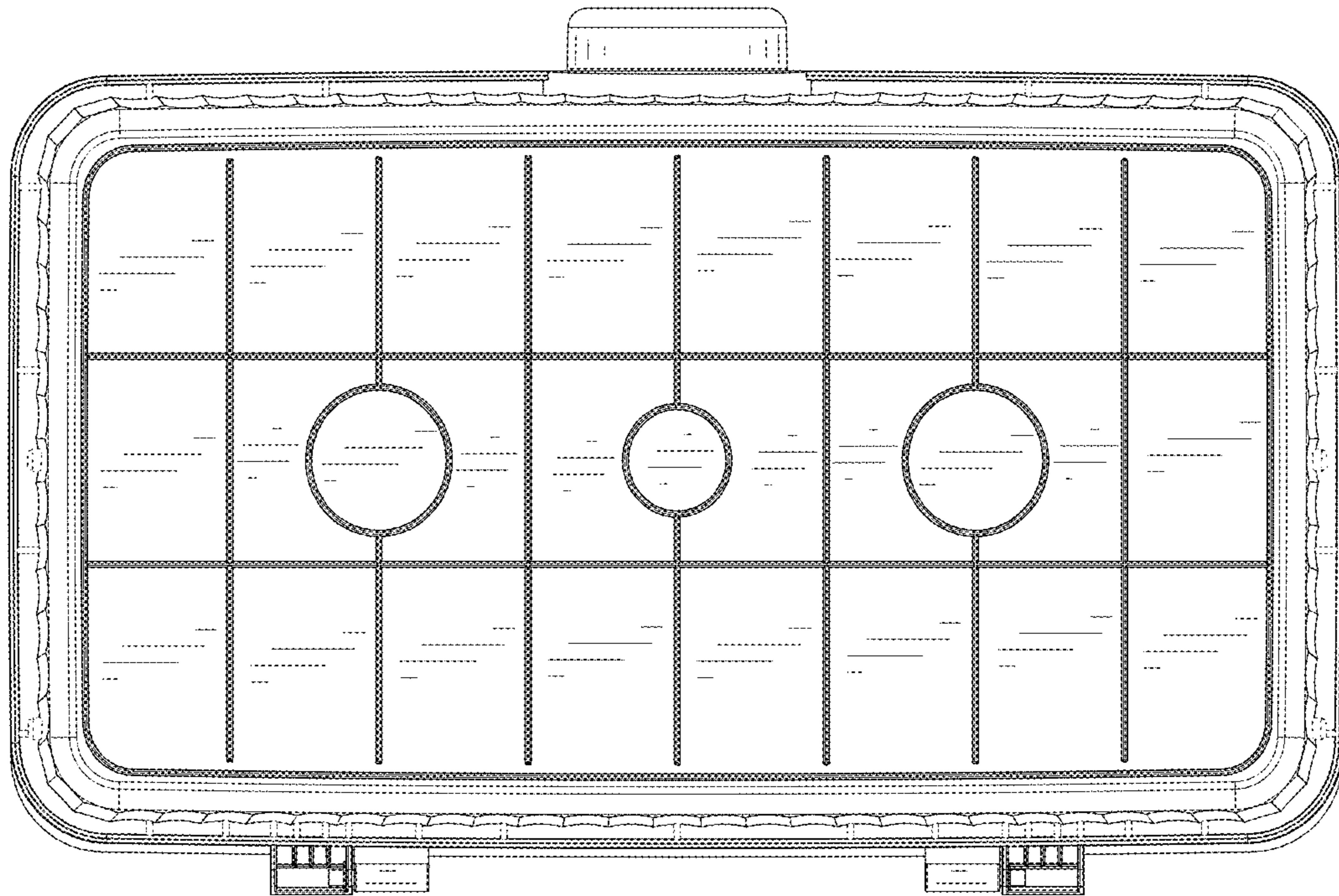


FIG. 8

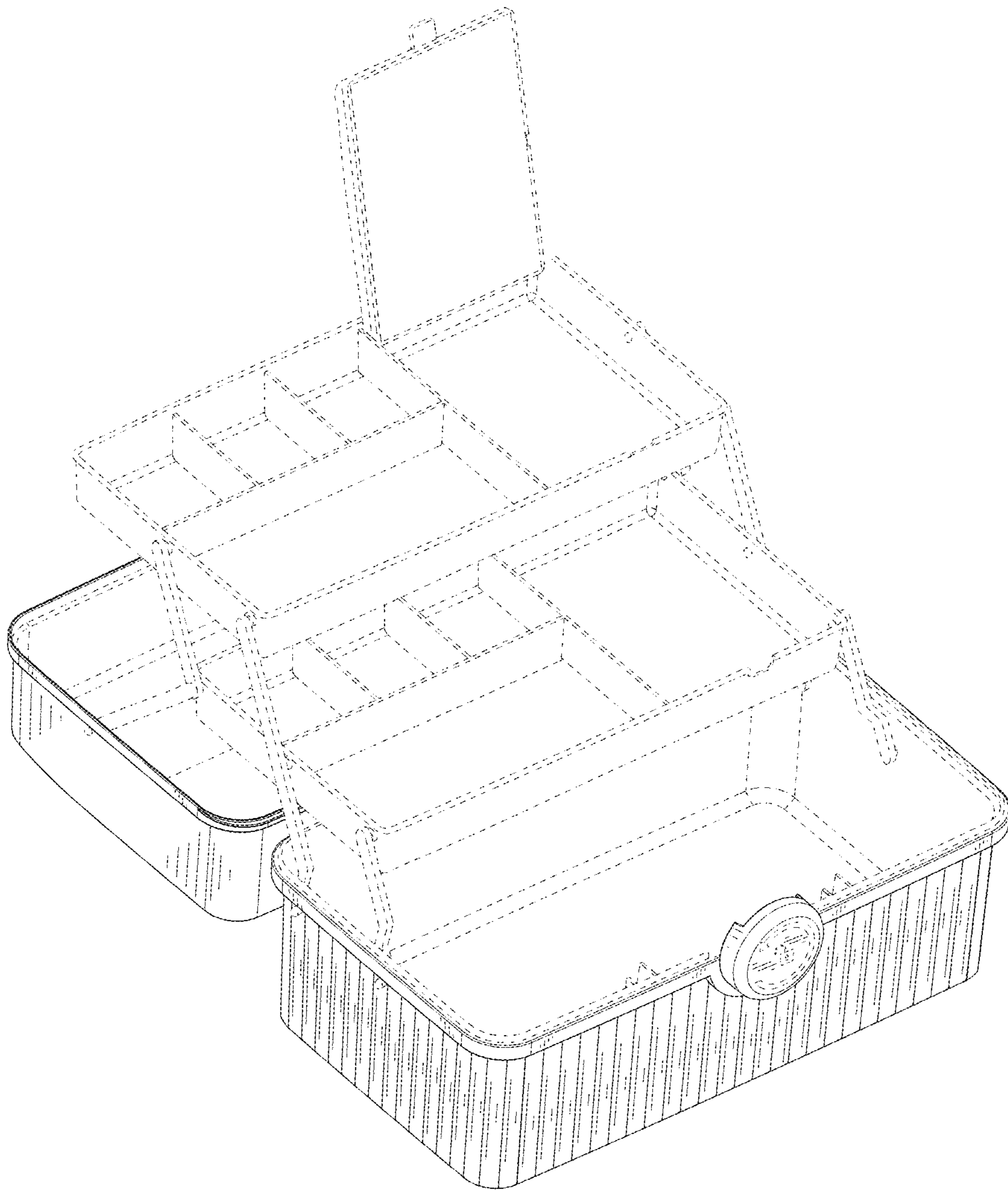


FIG. 9

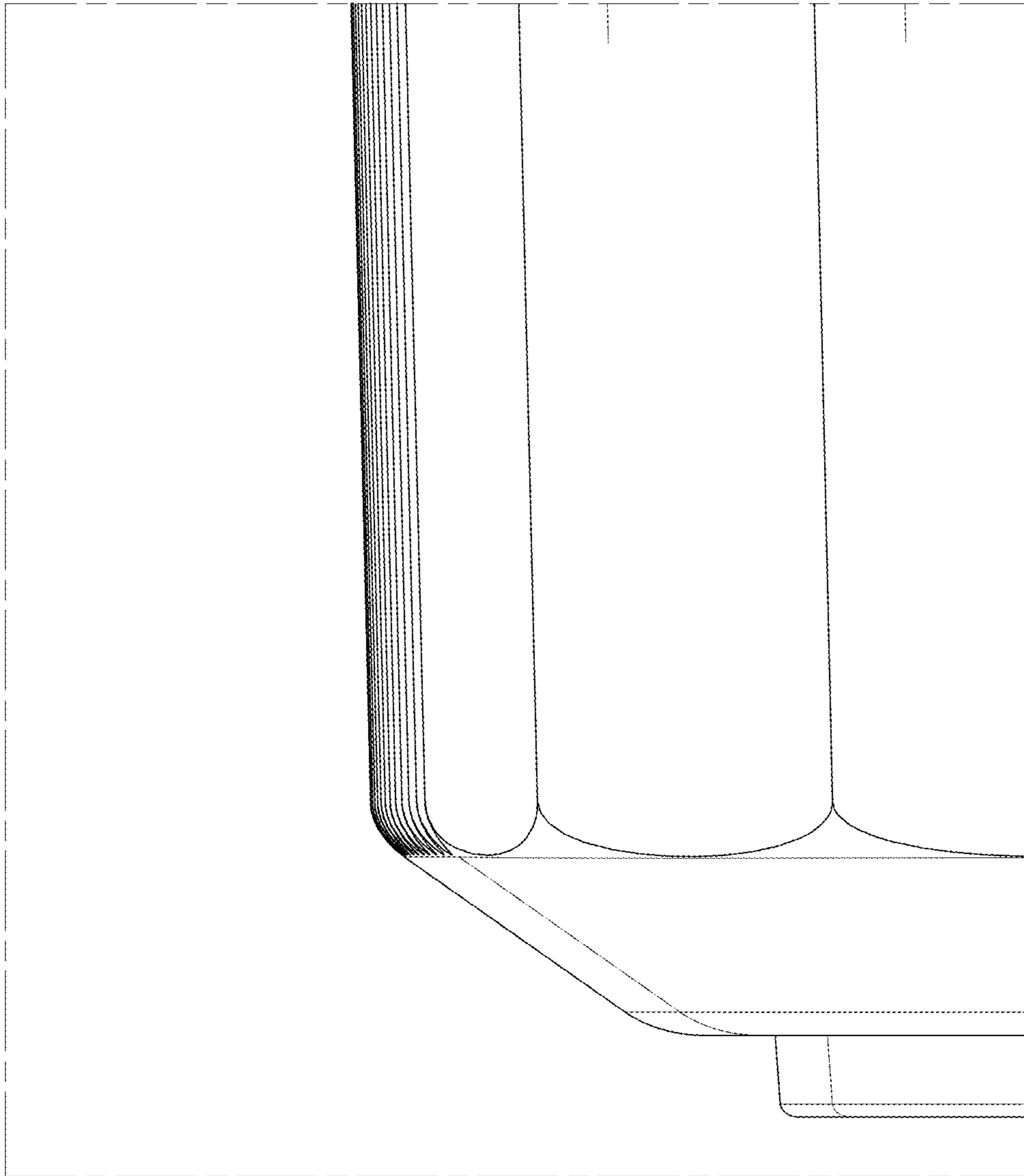


FIG. 10