



US00D984804S

(12) **United States Design Patent**
Zhang

(10) **Patent No.:** **US D984,804 S**

(45) **Date of Patent:** **** May 2, 2023**

(54) **TOOLBOX TOY**

D964,028 S * 9/2022 Liao D3/273
D968,808 S * 11/2022 Adin D3/273
D974,493 S * 1/2023 Huang D21/532

(71) Applicant: **Haibin Zhang**, Shantou (CN)

* cited by examiner

(72) Inventor: **Haibin Zhang**, Shantou (CN)

Primary Examiner — April Rivas

(**) Term: **15 Years**

(74) *Attorney, Agent, or Firm* — Justin Lampel

(21) Appl. No.: **29/852,163**

(22) Filed: **Sep. 2, 2022**

(51) **LOC (14) Cl.** **03-01**

(52) **U.S. Cl.**

USPC **D3/276; D3/905**

(58) **Field of Classification Search**

USPC D3/276, 282, 291, 294, 905, 901, 903,
D3/284, 289, 302, 271.2

CPC B25H 3/02; B25H 3/00

See application file for complete search history.

(56) **References Cited**

U.S. PATENT DOCUMENTS

D338,238 S * 8/1993 Aaldenberg D19/86
D418,296 S * 1/2000 Kobayashi D3/276
D718,934 S * 12/2014 Lin D3/905
D798,054 S * 9/2017 Shpitzer D3/905
D857,387 S * 8/2019 Shpitzer D3/905
D873,010 S * 1/2020 Feng D3/905

(57) **CLAIM**

The ornamental design for a toolbox toy, as shown and described.

DESCRIPTION

FIG. 1 is a perspective view of a toolbox toy showing the claimed design;

FIG. 2 is another perspective view thereof;

FIG. 3 is a top plan view thereof;

FIG. 4 is a bottom plan view thereof.

FIG. 5 is a left side view thereof;

FIG. 6 is a right side view thereof;

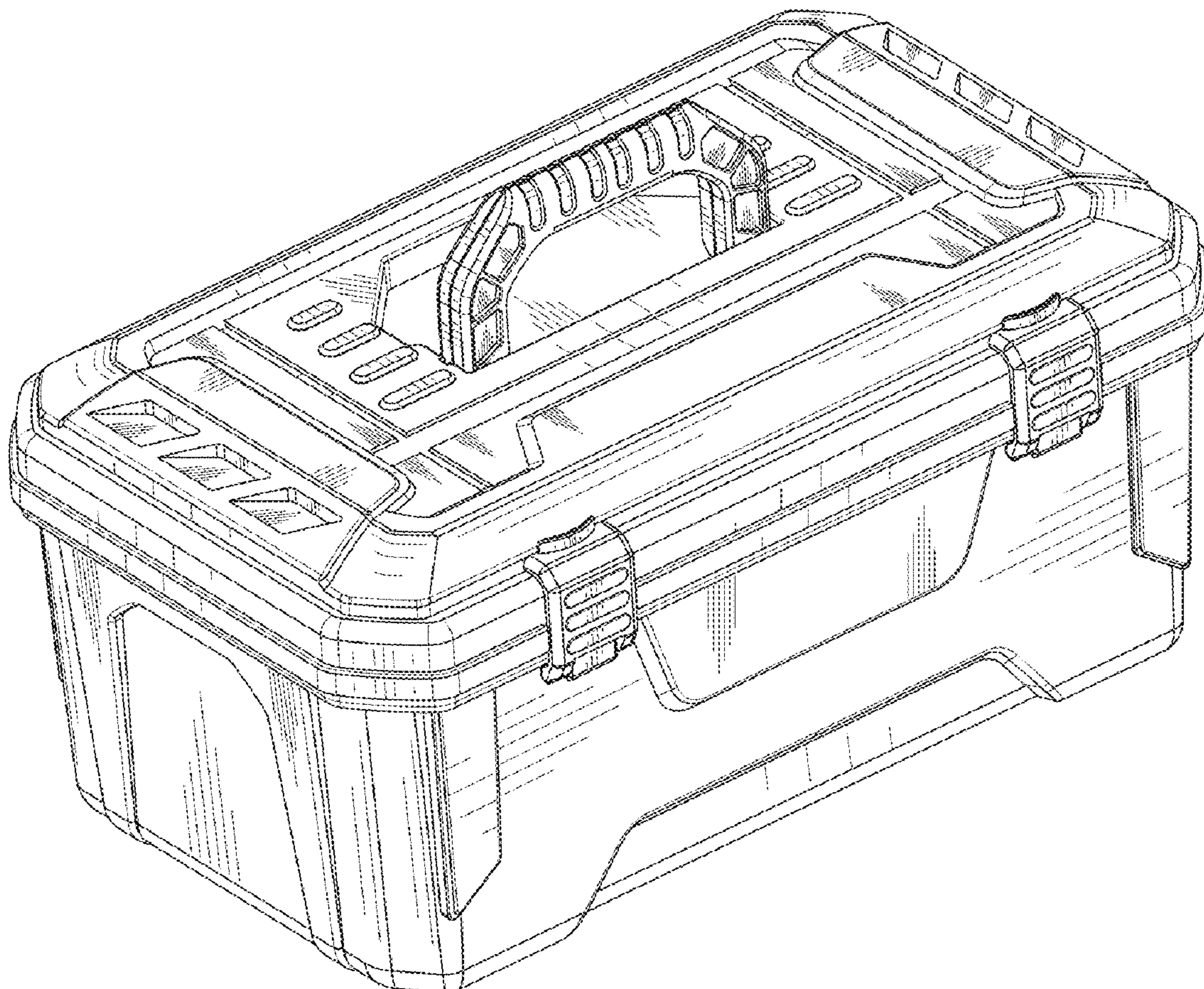
FIG. 7 is a rear elevational view thereof;

FIG. 8 is a front elevational view thereof; and,

FIG. 9 is an interior view thereof.

The broken lines depict portions of the toolbox toy that form no part of the claimed design.

1 Claim, 9 Drawing Sheets



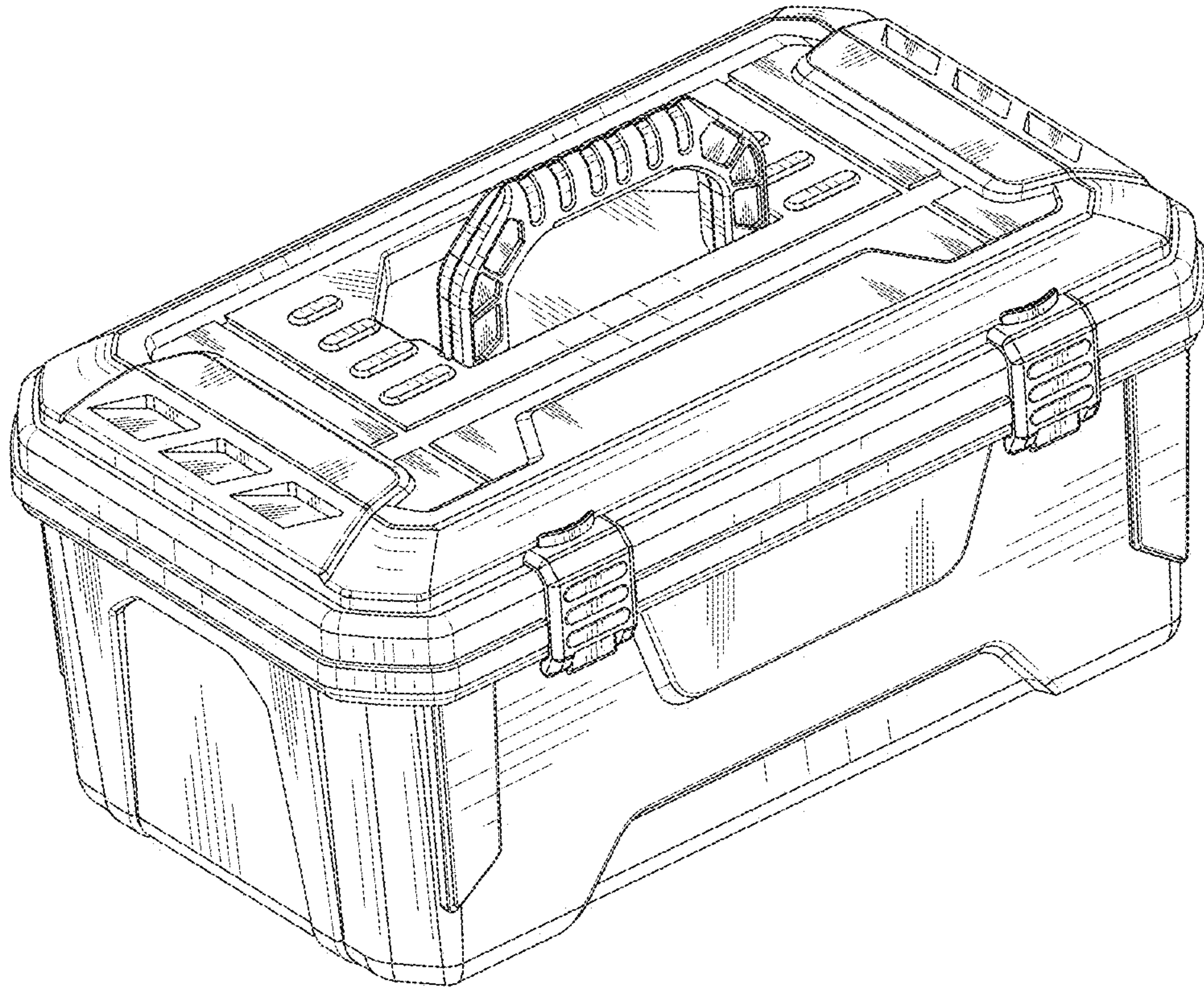


FIG. 1

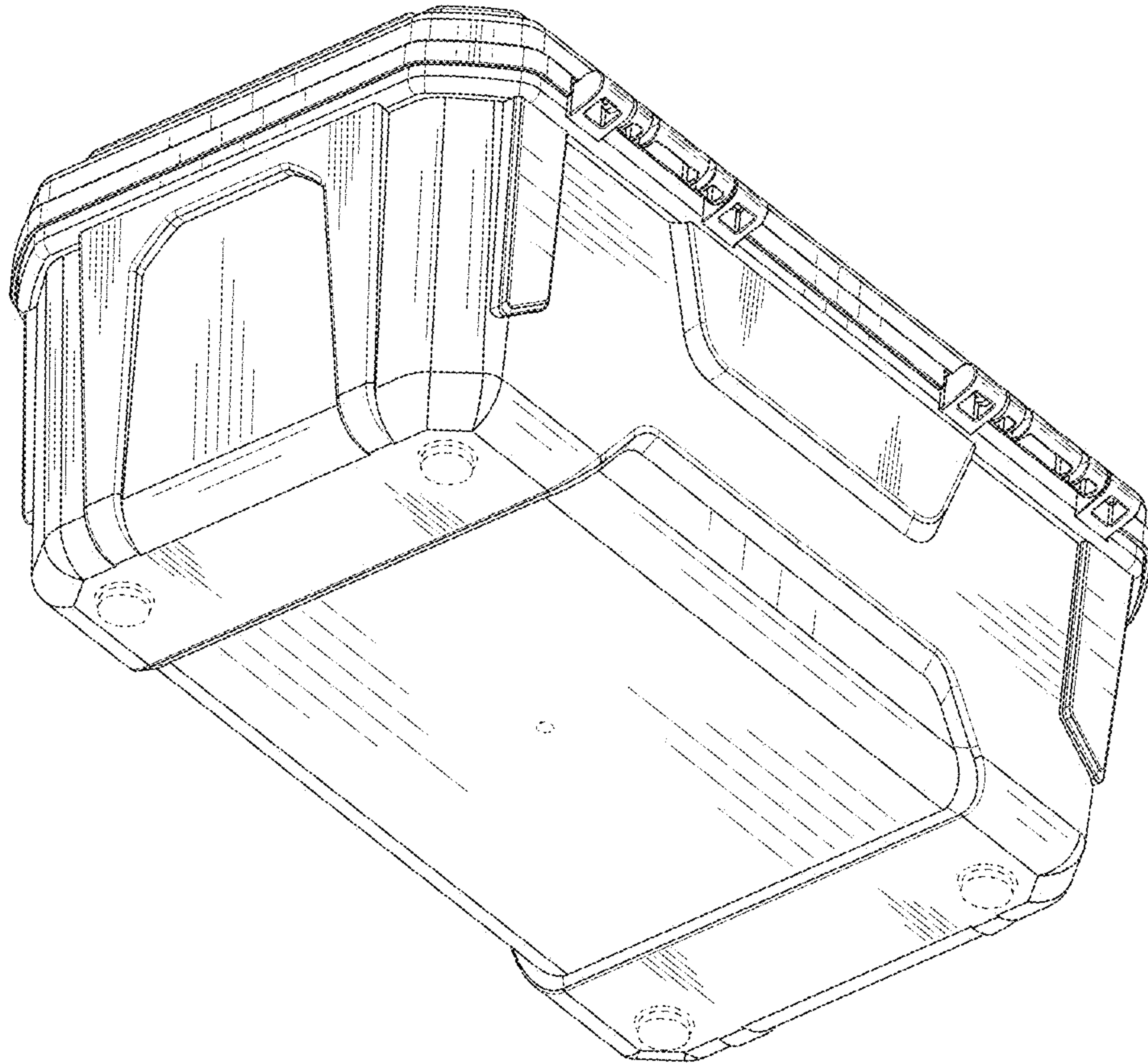


FIG. 2

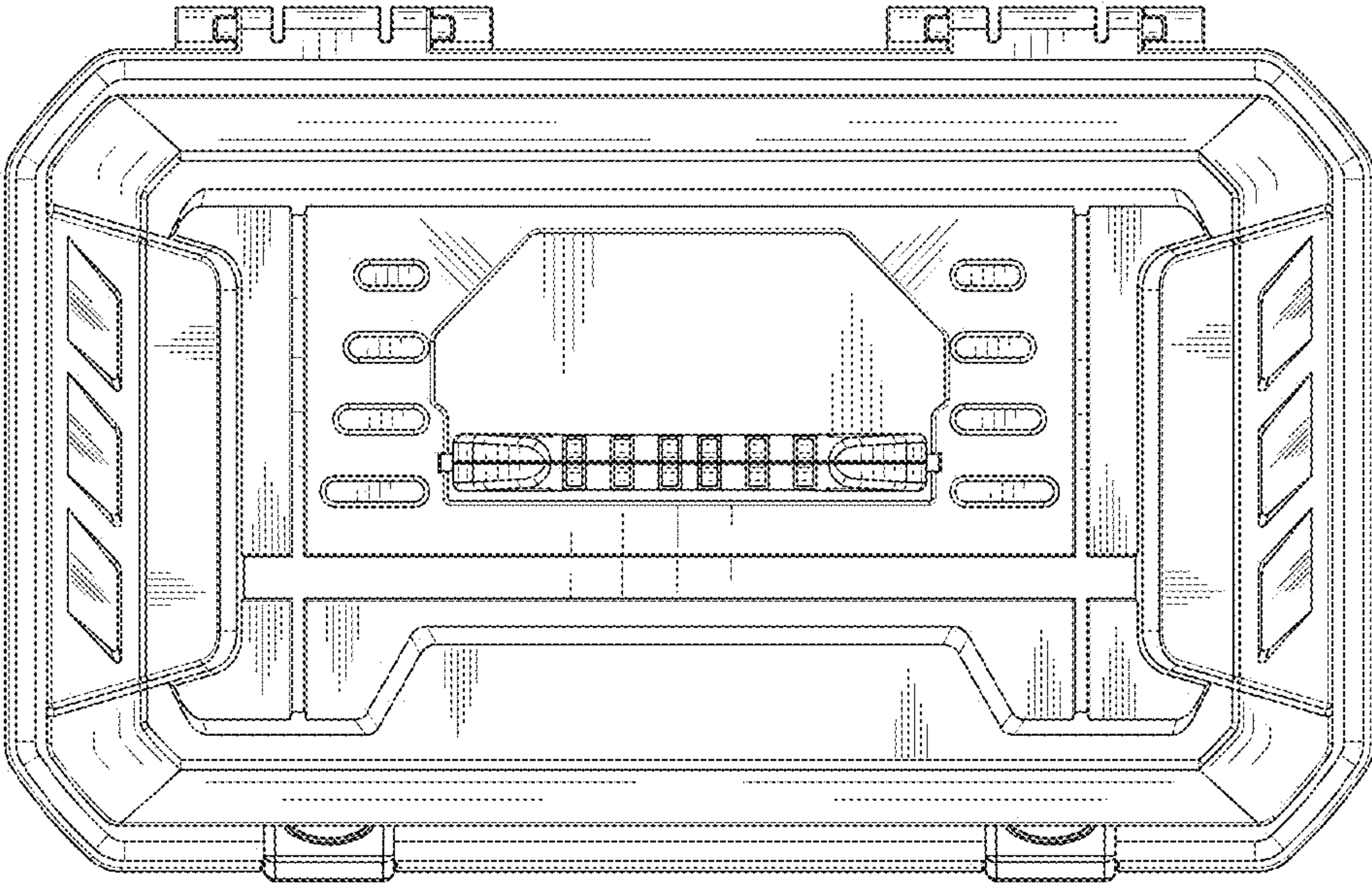


FIG. 3

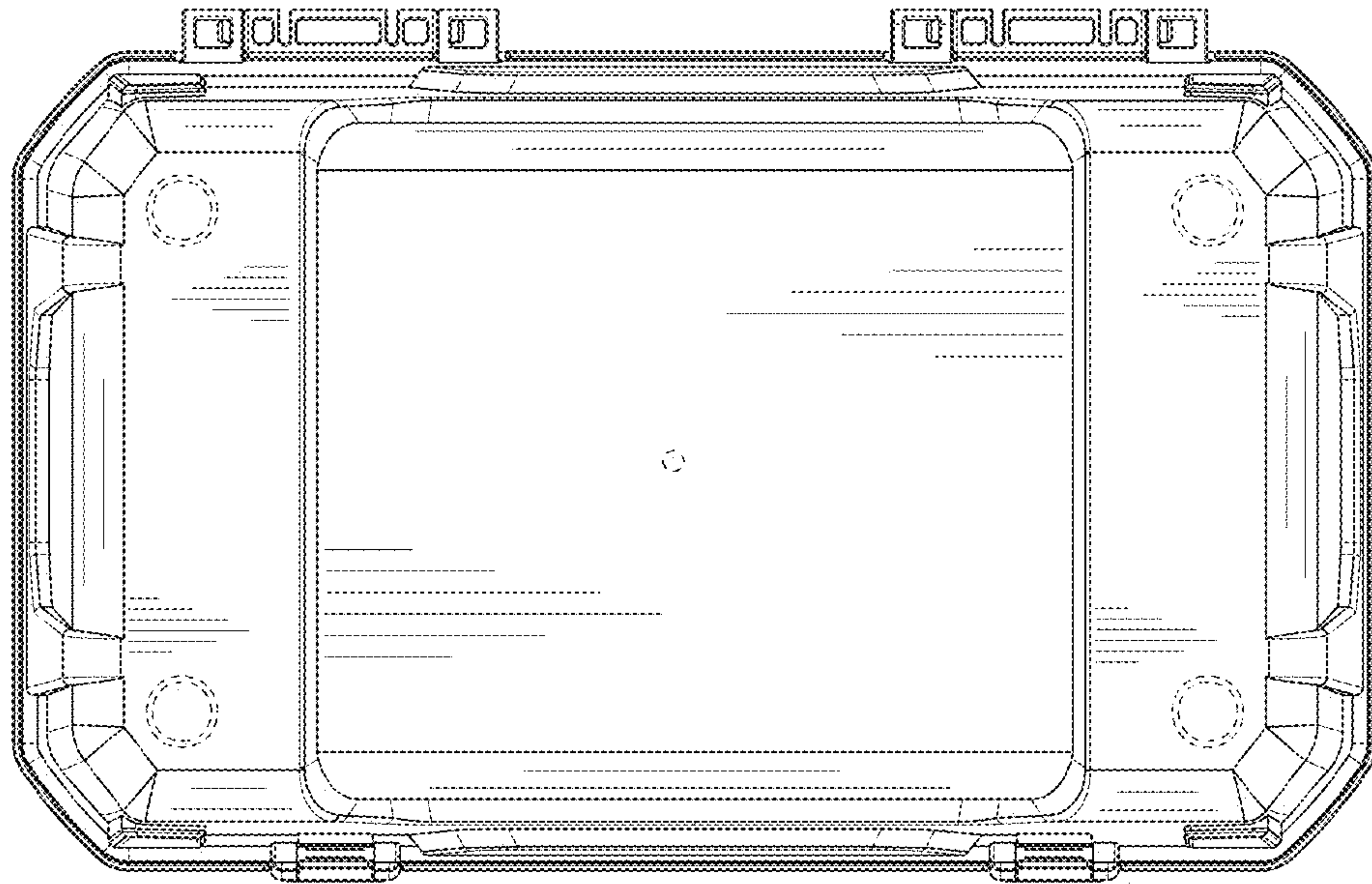


FIG. 4

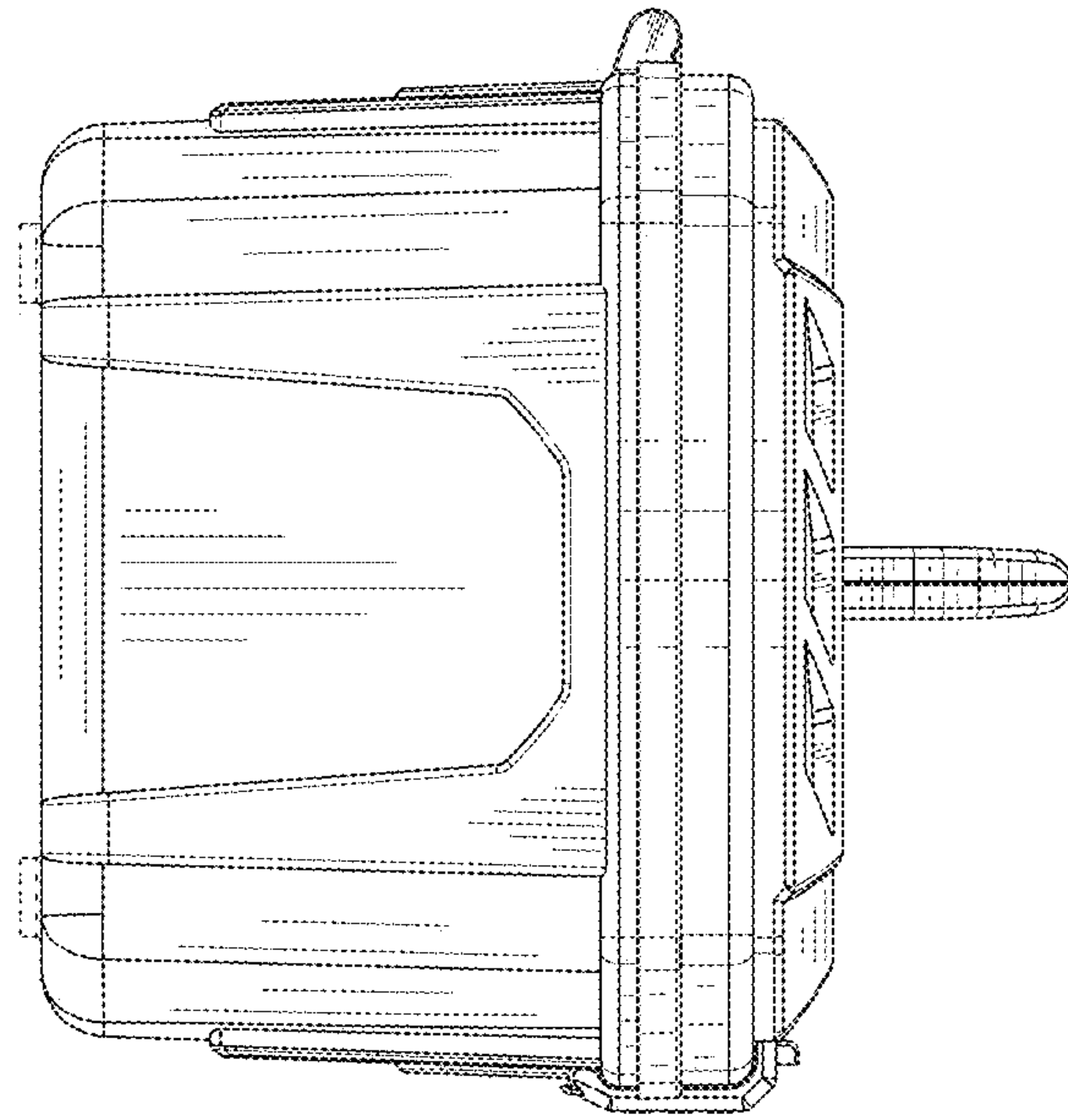


FIG. 5

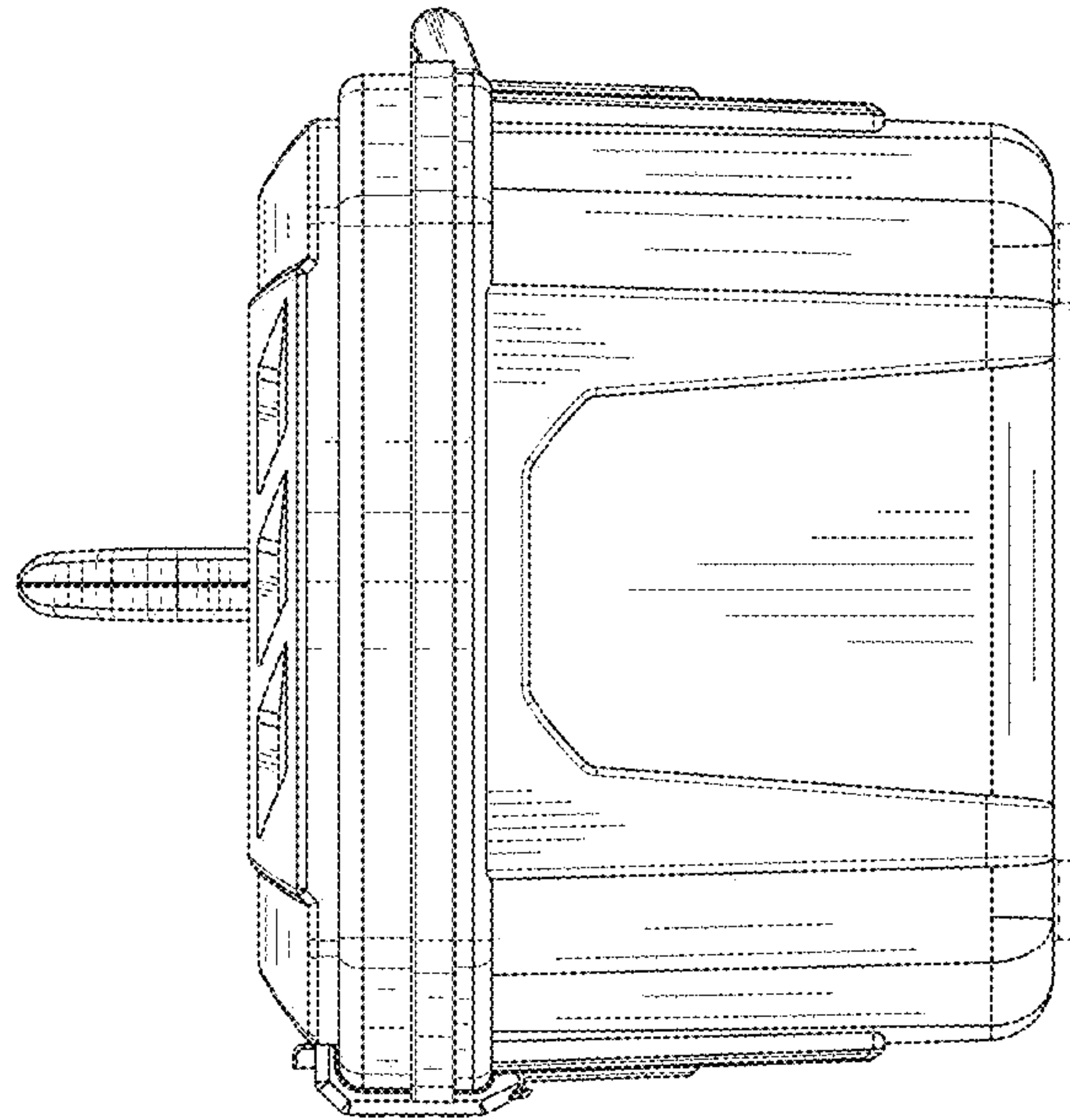


FIG. 6

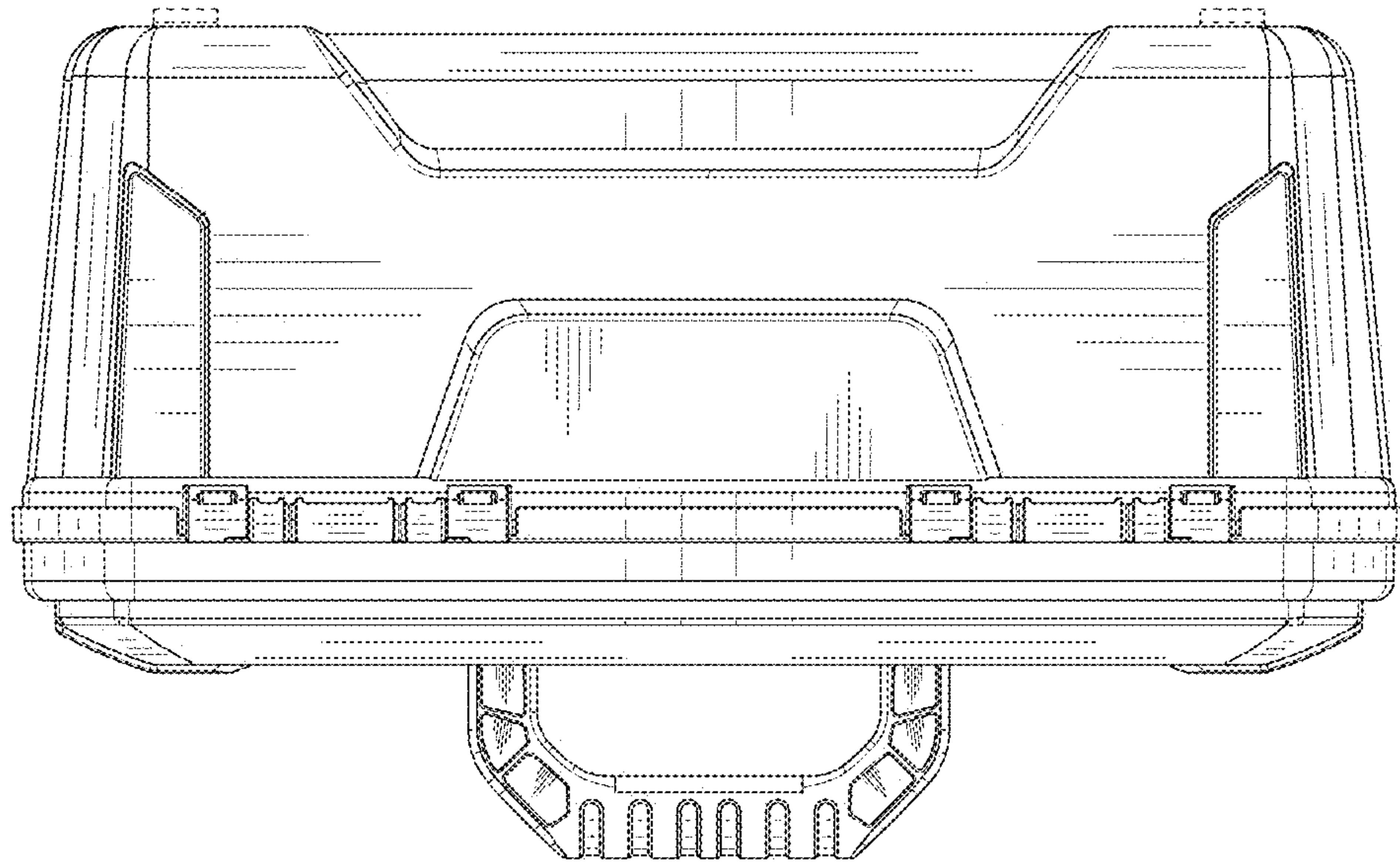


FIG. 7

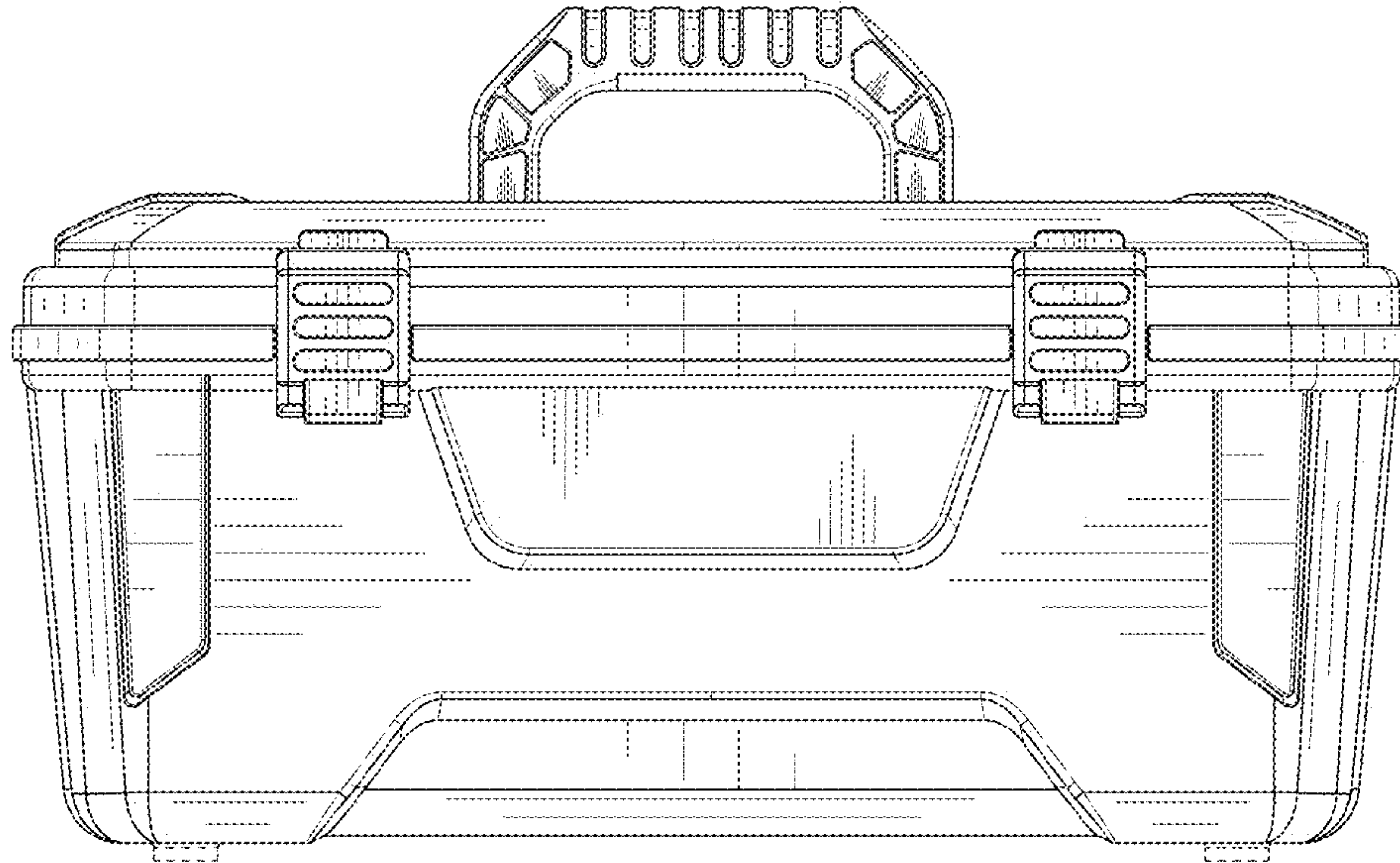


FIG. 8

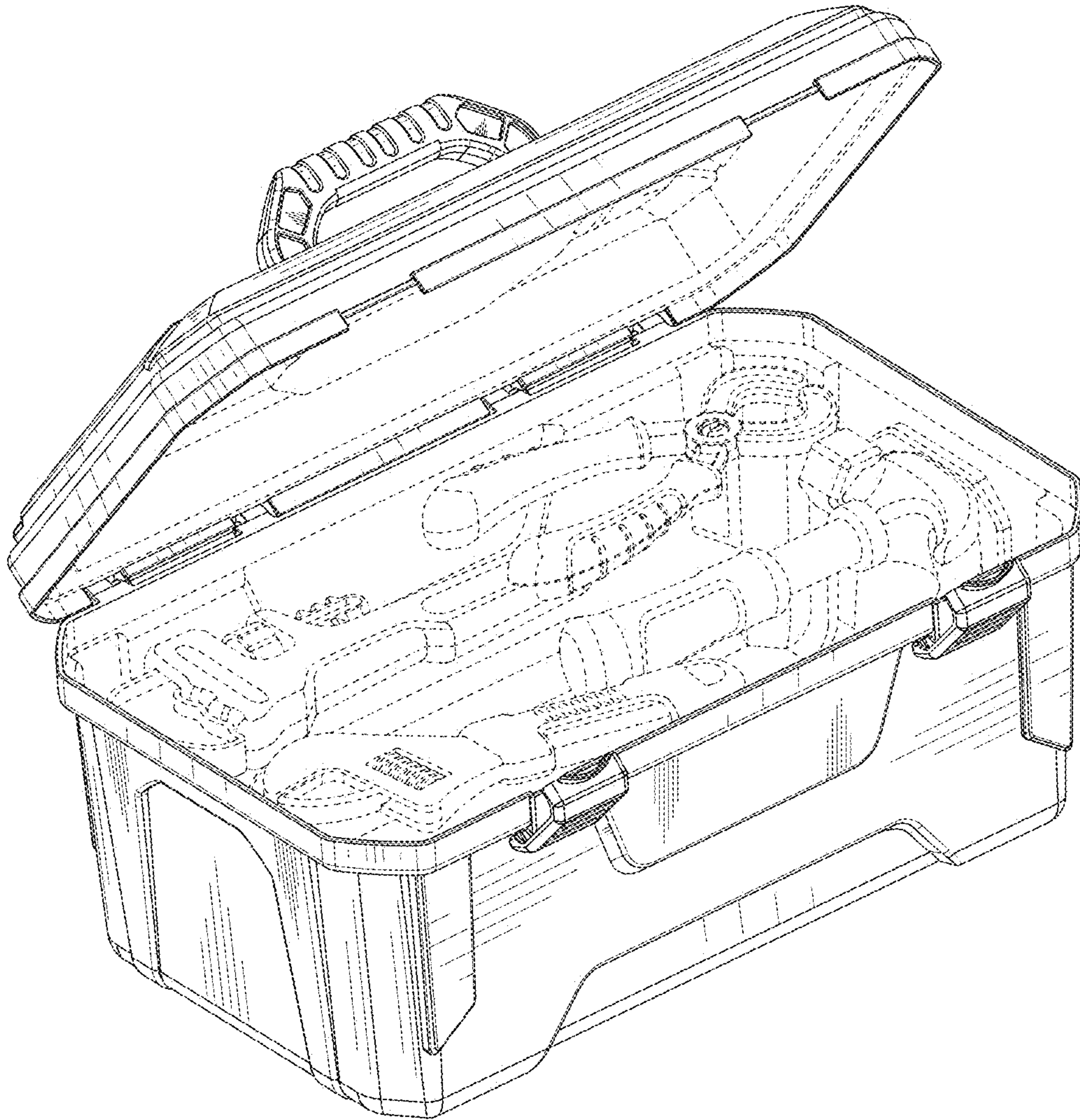


FIG. 9