



US00D984799S

(12) **United States Design Patent**
Zhang

(10) **Patent No.:** **US D984,799 S**

(45) **Date of Patent:** **** May 2, 2023**

(54) **BACKPACK**

(71) Applicant: **Quanzhou Jingbo Trading Co., Ltd.**,
Fujian (CN)

(72) Inventor: **Qinge Zhang**, Fujian (CN)

(**) Term: **15 Years**

(21) Appl. No.: **29/855,949**

(22) Filed: **Oct. 9, 2022**

(51) **LOC (14) Cl.** **03-01**

(52) **U.S. Cl.**
USPC **D3/217**

(58) **Field of Classification Search**
USPC D3/216, 217, 226, 233, 273, 287, 327
CPC A45F 3/04; A45F 4/02; A45F 3/02; A45F
2003/003; A45F 3/047; A45F 3/14; A45F
3/08

See application file for complete search history.

(56) **References Cited**

U.S. PATENT DOCUMENTS

8,118,201 B1 *	2/2012	Calkin	A45F 3/10 224/655
D663,119 S *	7/2012	Wright	D3/274
D698,542 S *	2/2014	January	D3/217
D710,085 S *	8/2014	Szewczyk	D3/217
D710,086 S *	8/2014	Szewczyk	D3/217
D893,168 S *	8/2020	Smith	D3/217
D937,568 S	12/2021	Lei		
D938,164 S	12/2021	Orciani		

D944,515 S *	3/2022	Ji	D3/217
D957,118 S *	7/2022	Munie	D3/217
D963,333 S *	9/2022	Huang	D3/217
2004/0211634 A1 *	10/2004	Chan	A45C 7/0045 190/18 A
2013/0026726 A1 *	1/2013	Thomas	A45C 13/385 280/43.1
2014/0151424 A1 *	6/2014	Hexels	A45F 3/047 224/637

* cited by examiner

Primary Examiner — Jennifer L Watkins

(74) *Attorney, Agent, or Firm* — Che-Yang Chen; Law
Office of Michael Chen

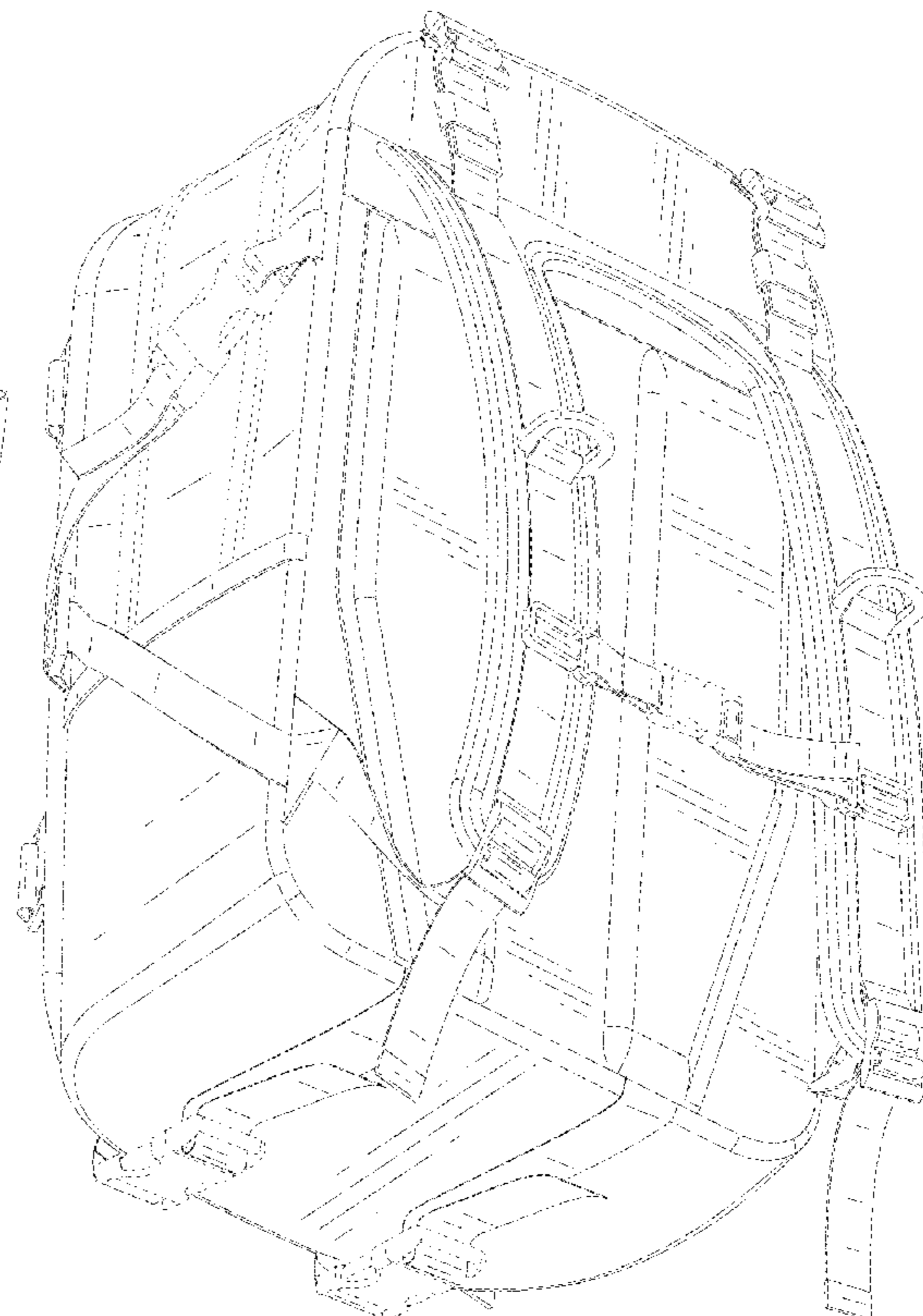
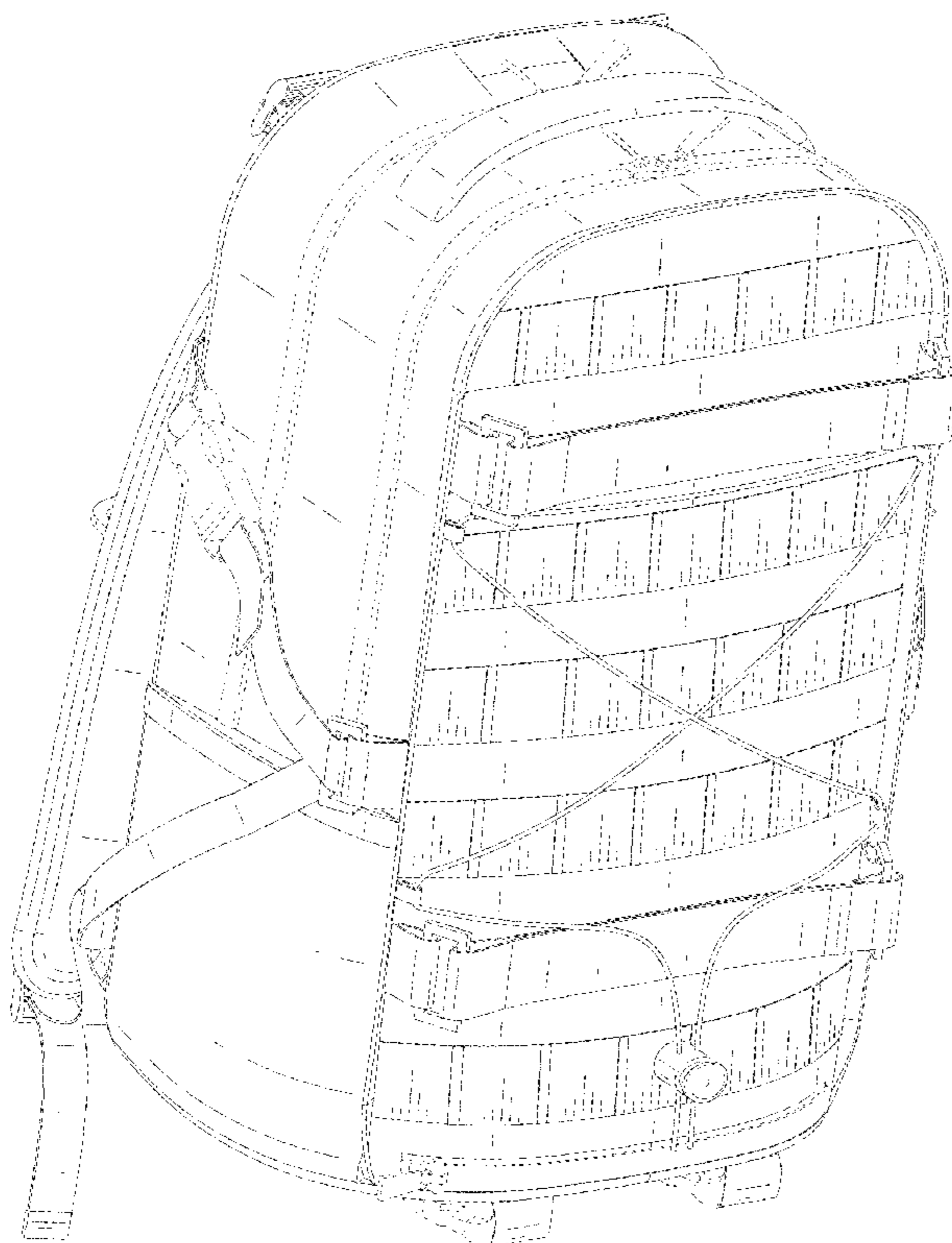
(57) **CLAIM**

The ornamental design for a backpack, as shown and
described.

DESCRIPTION

FIG. 1 is a perspective view of a backpack showing my new
design;
FIG. 2 is a perspective view thereof from another angle;
FIG. 3 is a front elevational view thereof;
FIG. 4 is a rear elevational view thereof;
FIG. 5 is a left side elevational view thereof;
FIG. 6 is a right side elevational view thereof;
FIG. 7 is a top plan view thereof; and,
FIG. 8 is a bottom plan view thereof.
The broken lines shown in the drawings represent portions
of the backpack that form no part of the claimed design.

1 Claim, 8 Drawing Sheets



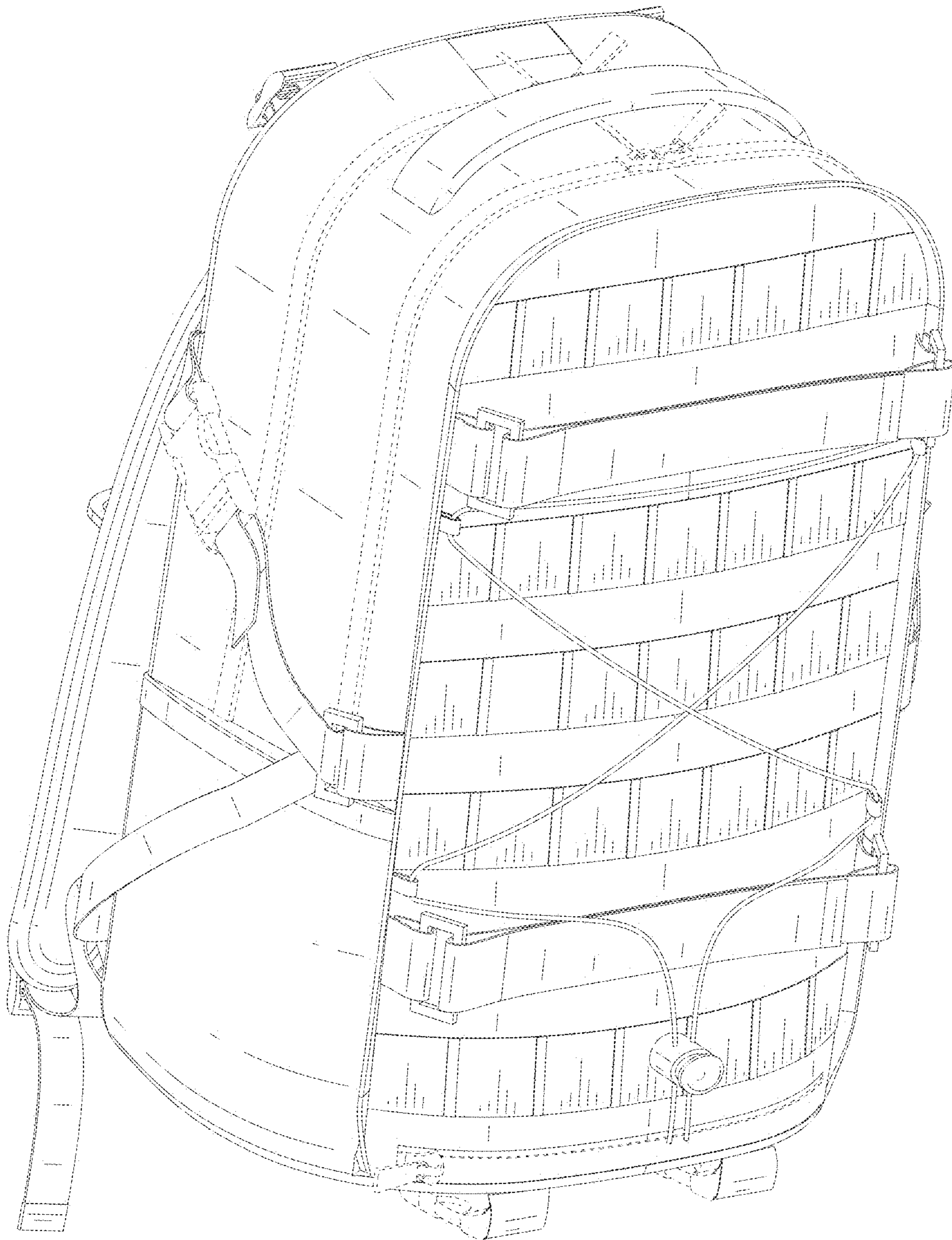


FIG. 1

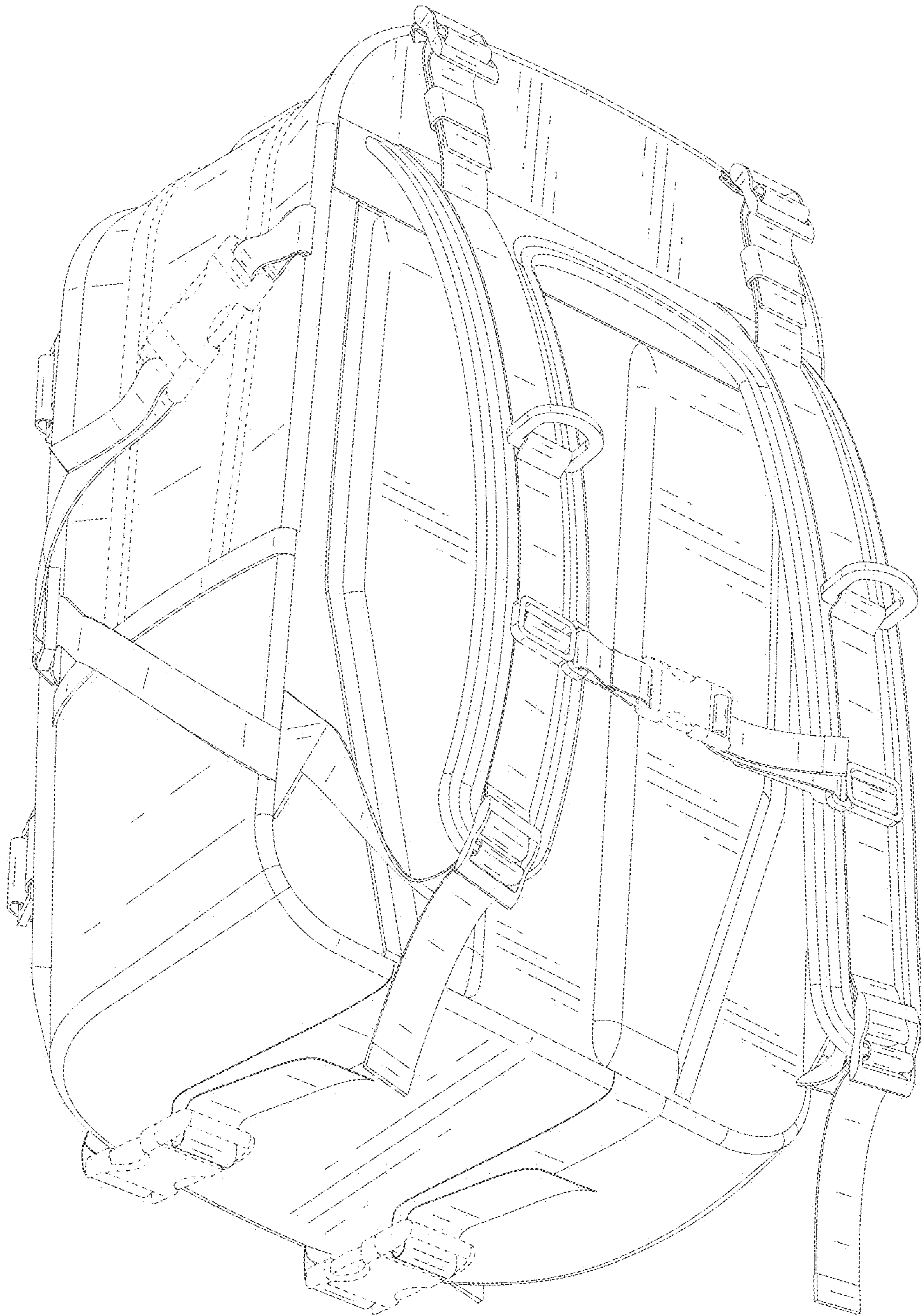


FIG. 2

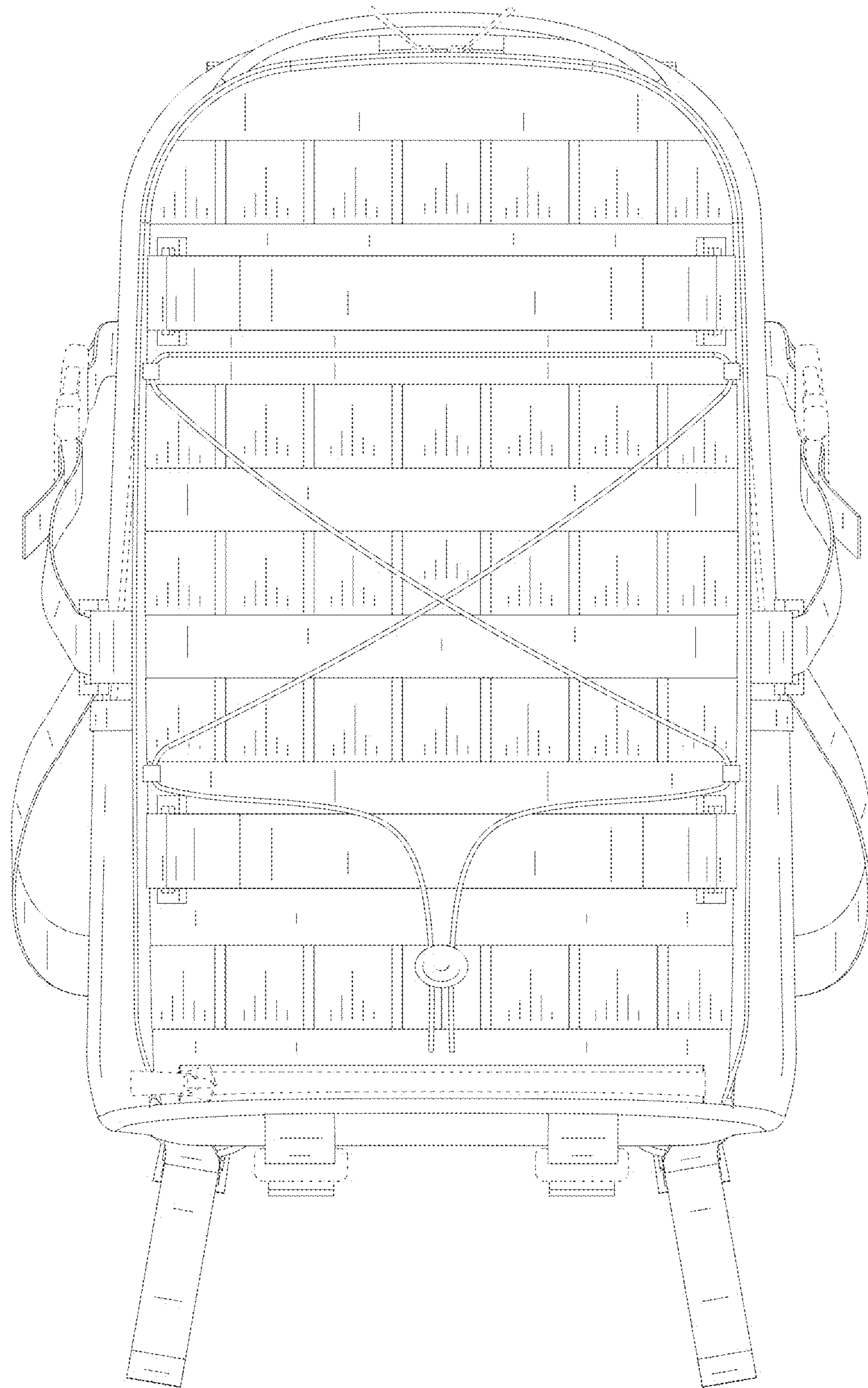


FIG. 3



FIG. 4

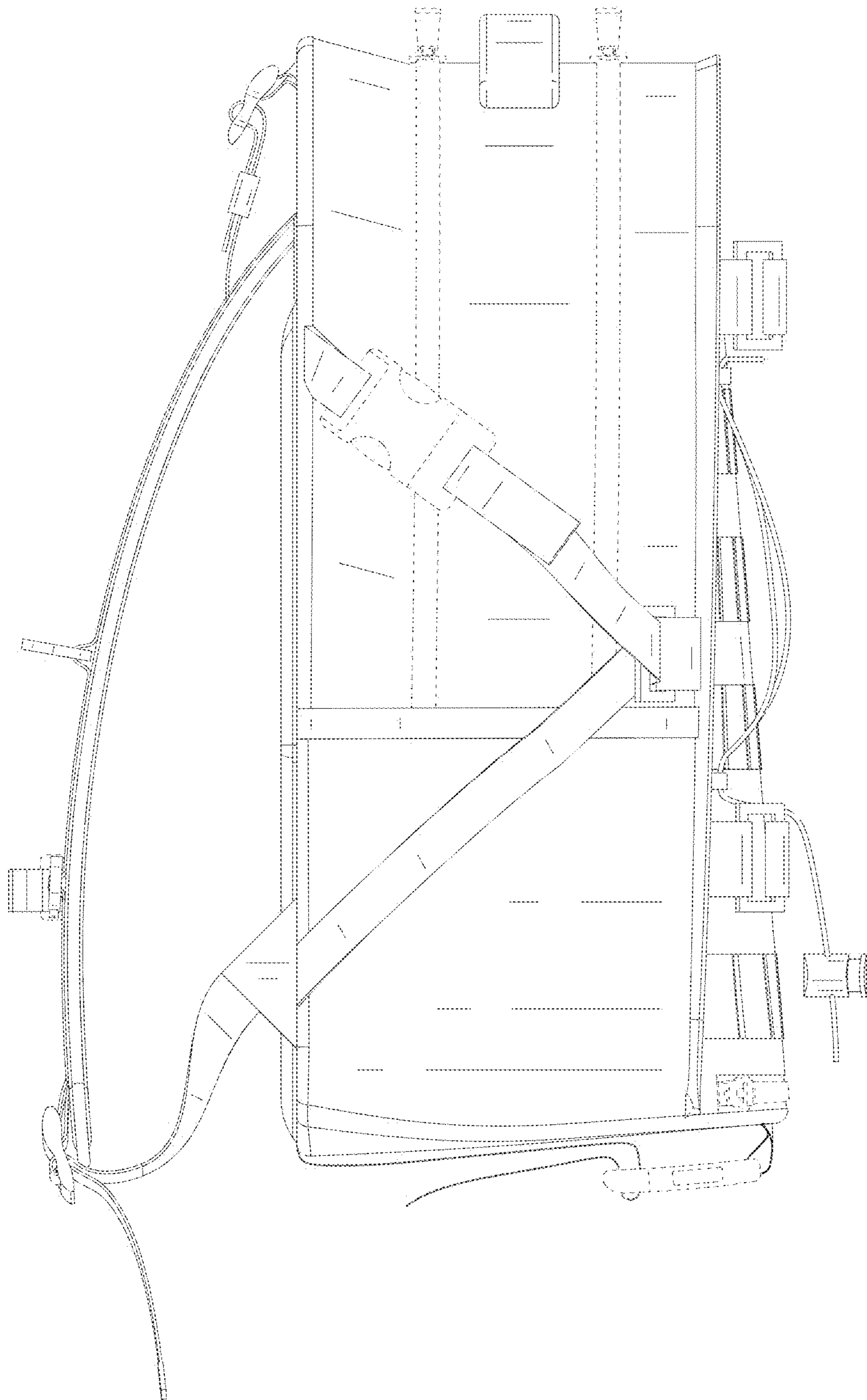


FIG. 5

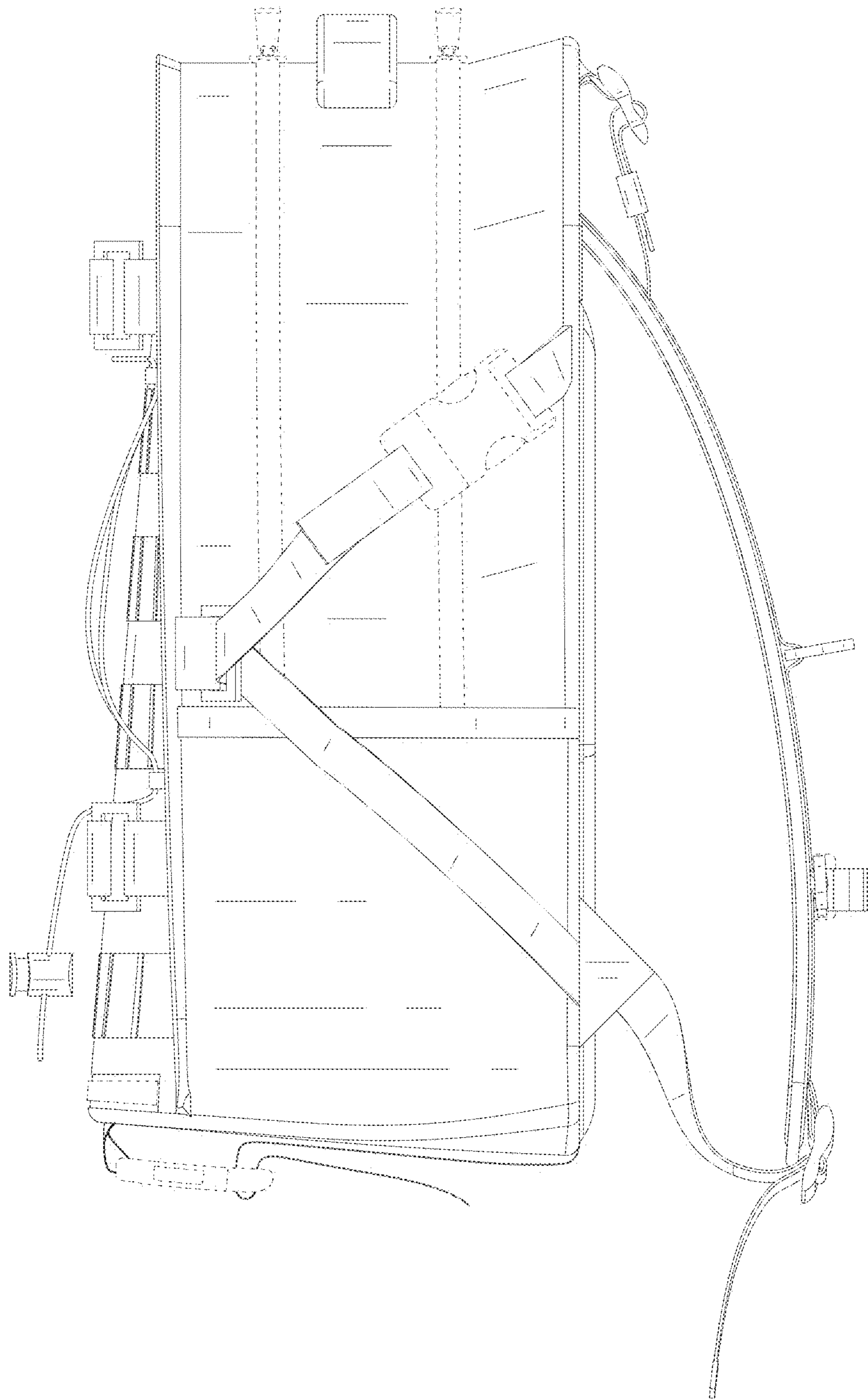


FIG. 6

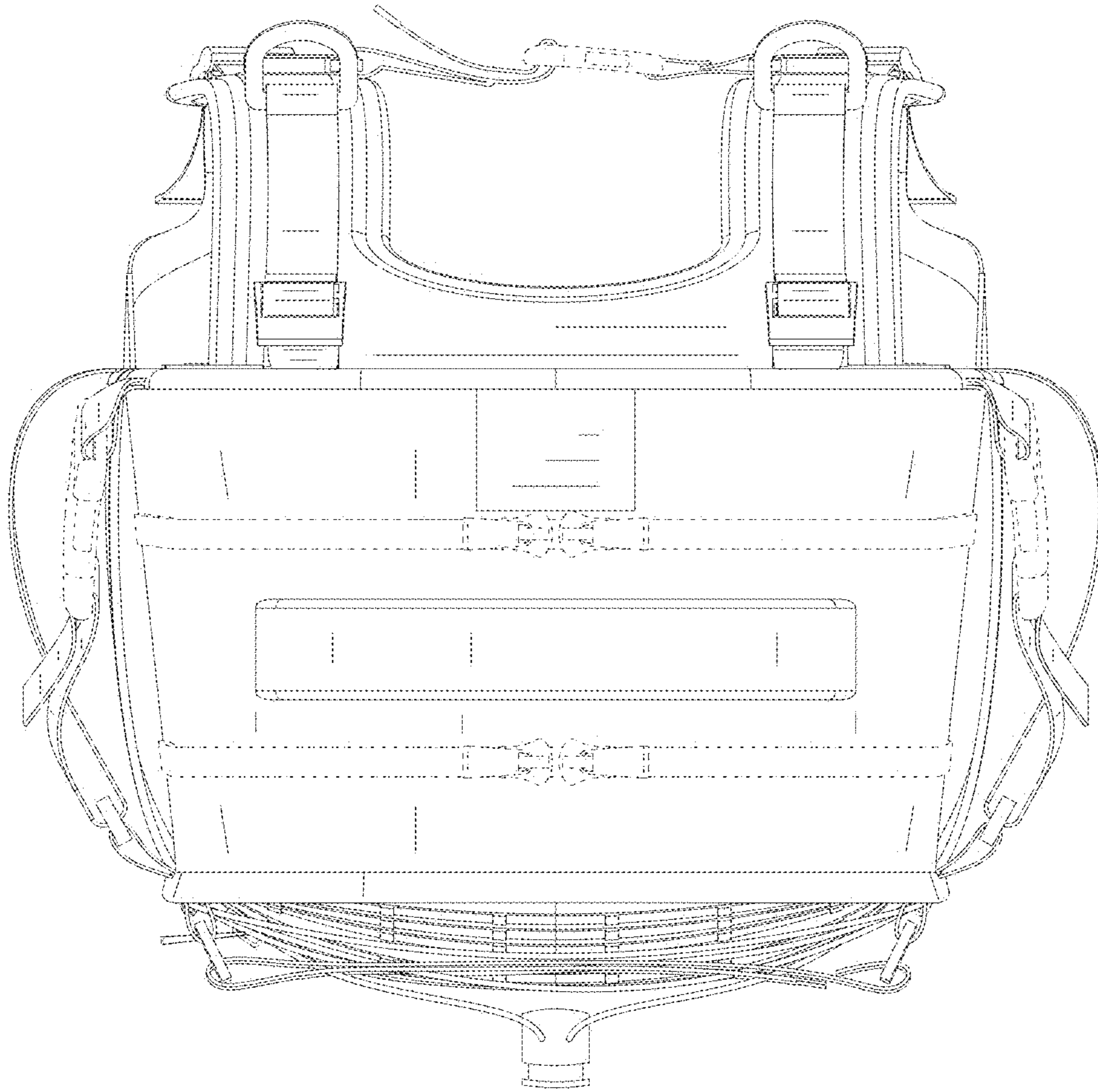


FIG. 7

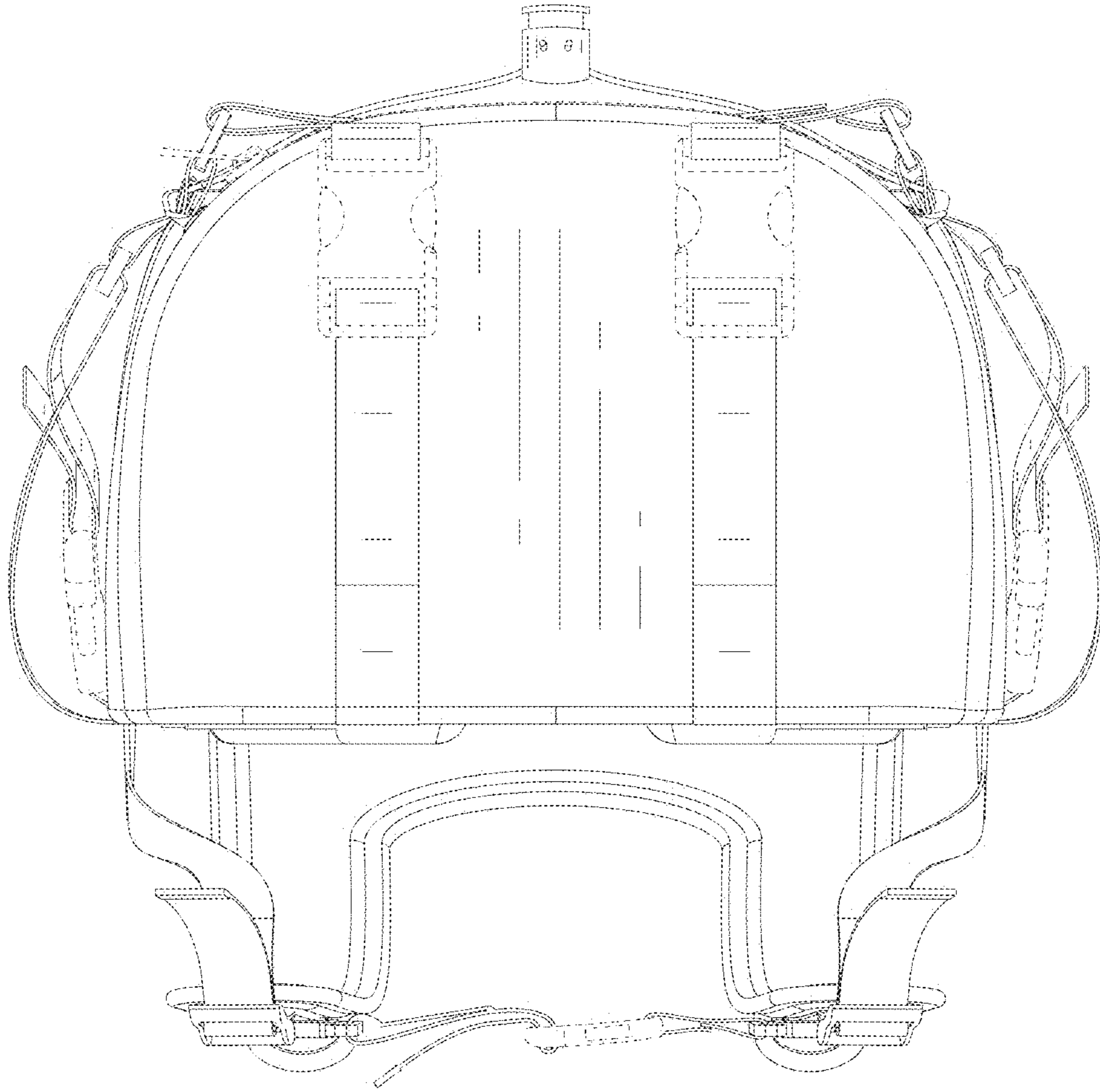


FIG. 8