



US00D984795S

(12) **United States Design Patent** (10) **Patent No.:** **US D984,795 S**  
**Li** (45) **Date of Patent:** **\*\* May 2, 2023**

(54) **PILL ORGANIZER**  
(71) Applicant: **Zhongmaitong Electronic Technology (Chengdu) Co., Ltd., Sichuan (CN)**  
(72) Inventor: **Jie Li, Guangdong (CN)**  
(\*\*) Term: **15 Years**  
(21) Appl. No.: **29/846,911**  
(22) Filed: **Jul. 20, 2022**  
(51) **LOC (14) Cl.** ..... **03-01**  
(52) **U.S. Cl.**  
USPC ..... **D3/203.2; D3/203.4**  
CPC ..... **B65D 83/04 (2013.01)**  
(58) **Field of Classification Search**  
USPC ... D3/203.1–203.8, 201, 272, 273, 901–905, D3/302, 276, 294, 295, 298; D24/224; D9/420–424, 529, 756, 757, 759, 449, D9/560, 430  
CPC ..... B65D 83/04; B65D 83/0445; A61J 1/03; A61J 7/0076  
See application file for complete search history.

D442,363 S \* 5/2001 Magid ..... D3/208  
D451,666 S \* 12/2001 Zastrow ..... D3/203.3  
D458,016 S \* 6/2002 Christianson ..... D3/203.4  
D459,880 S \* 7/2002 Tung ..... D3/271.9  
D478,240 S \* 8/2003 Tung ..... D3/270  
D484,731 S \* 1/2004 Tung ..... D3/273  
D489,529 S \* 5/2004 Vish ..... D3/218  
D517,364 S \* 3/2006 Nieves ..... D6/634  
D563,095 S \* 3/2008 Sabbag ..... D3/203.3  
D570,595 S \* 6/2008 Chue ..... D3/203.3  
D600,441 S \* 9/2009 Estrada ..... D3/203.3  
D602,247 S \* 10/2009 Oas ..... D3/208  
D621,603 S \* 8/2010 Traylor ..... D3/203.2  
D663,944 S \* 7/2012 Bouskill ..... D3/226  
D663,945 S \* 7/2012 Bouskill ..... D3/203.1

(Continued)

**FOREIGN PATENT DOCUMENTS**

AU 2021104434 A4 \* 9/2021  
FR 3119840 A1 \* 8/2022

*Primary Examiner* — Richard E Chilcot  
(74) *Attorney, Agent, or Firm* — Che-Yang Chen; Law Office of Michael Chen

(57) **CLAIM**

The ornamental design for a pill organizer, as shown and described.

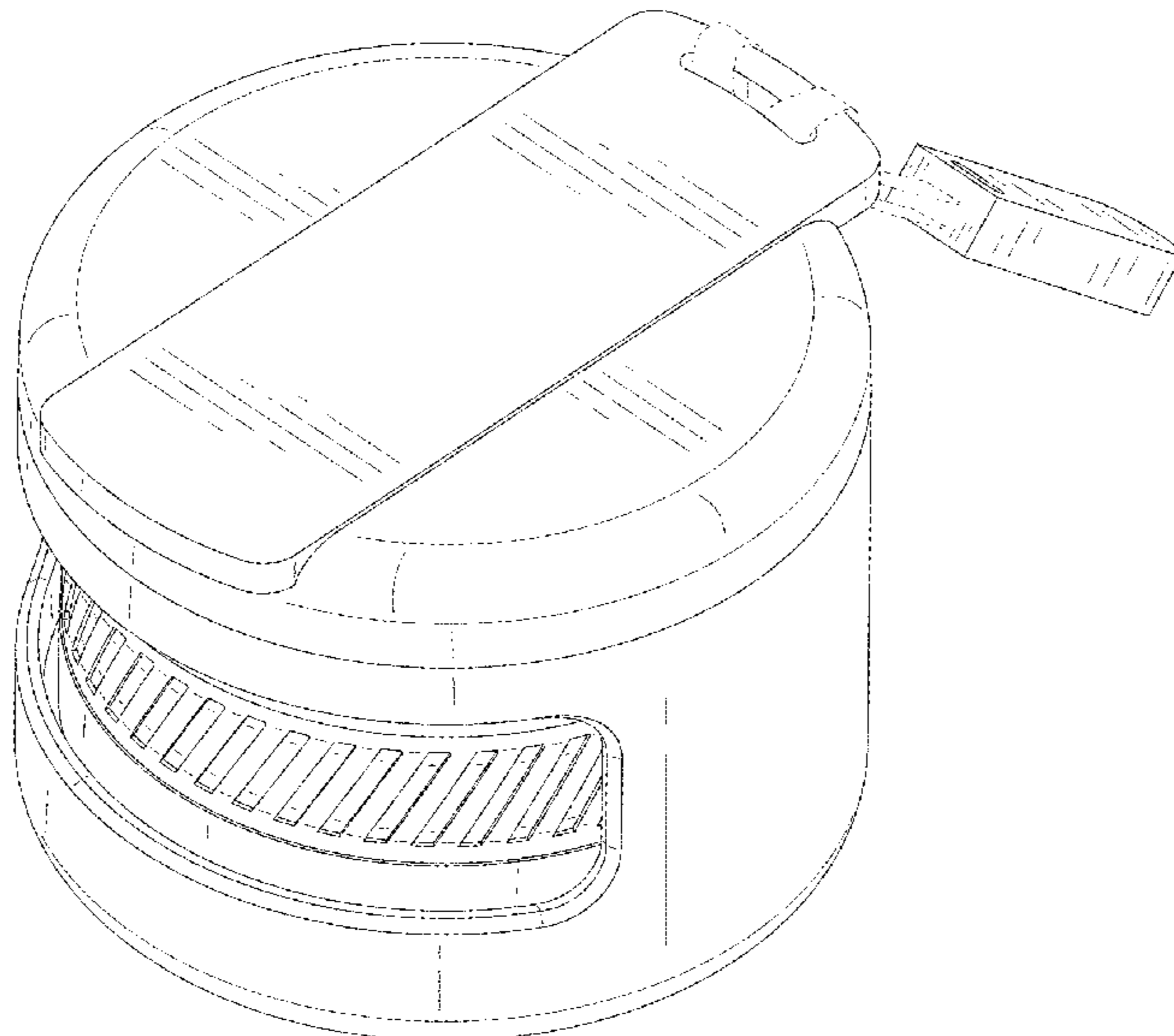
**DESCRIPTION**

FIG. 1 is a perspective view of the pill organizer showing my new design;  
FIG. 2 is a perspective view thereof from another angle;  
FIG. 3 is a front elevational view thereof;  
FIG. 4 is a rear elevational view thereof;  
FIG. 5 is a left side elevational view thereof;  
FIG. 6 is a right side elevational view thereof;  
FIG. 7 is a top plan view thereof; and,  
FIG. 8 is a bottom plan view thereof.  
The broken lines shown in the drawings represent portions of the pill organizer that form no part of the claimed design.

**1 Claim, 8 Drawing Sheets**

(56) **References Cited**  
U.S. PATENT DOCUMENTS

D252,912 S \* 9/1979 Rideout, Jr. .... D3/203.4  
D273,093 S \* 3/1984 Lunden ..... D9/453  
D278,513 S \* 4/1985 Ebeling ..... D9/600  
4,523,694 A \* 6/1985 Veltri ..... B65D 83/0409  
221/265  
D279,864 S \* 7/1985 Ridgley ..... D3/203.4  
D294,467 S \* 3/1988 Wirkus ..... D8/98  
D317,405 S \* 6/1991 Yasika ..... D9/757  
D387,552 S \* 12/1997 Hayman ..... D3/203.2  
D398,444 S \* 9/1998 Ricci ..... D9/429  
D409,830 S \* 5/1999 Stafford ..... D3/208  
5,927,535 A \* 7/1999 Goth ..... B65D 50/046  
220/837  
D432,344 S \* 10/2000 Eskandry ..... D6/633  
D435,385 S \* 12/2000 Eskandry ..... D6/633



(56)

## References Cited

## U.S. PATENT DOCUMENTS

D681,936 S *	5/2013	Basas	D3/203.2	D913,682 S *	3/2021	Siskov	D3/203.2
D695,005 S *	12/2013	Kroupa	D3/203.2	D917,154 S *	4/2021	Zhu	D3/203.4
D708,434 S *	7/2014	Deeb	D3/203.3	D921,354 S *	6/2021	Petersen	D3/203.4
D717,038 S *	11/2014	Lee	D3/203.3	D932,766 S *	10/2021	Xu	D3/203.2
D746,046 S *	12/2015	Lee	D3/203.3	D943,268 S *	2/2022	Guo	D3/203.4
D779,811 S *	2/2017	Van Lanschot	D3/203.3	D945,226 S *	3/2022	Li	D27/194
D785,314 S *	5/2017	Noble	D3/203.2	D945,227 S *	3/2022	Li	D27/194
9,889,068 B1 *	2/2018	Bakhoun	B65D 25/06	D945,883 S *	3/2022	Griffin	D9/503
D821,738 S *	7/2018	Small	D3/203.2	D950,234 S *	5/2022	Chen	D3/203.3
D846,279 S *	4/2019	Oakley	D3/301	D964,016 S *	9/2022	Chen	D3/203.3
D851,455 S *	6/2019	Lee	D7/529	D964,017 S *	9/2022	Minocha	D3/203.4
10,391,027 B1 *	8/2019	Pande	A61J 1/03	D966,695 S *	10/2022	Chen	D3/203.3
D891,089 S *	7/2020	He	D3/207	D968,071 S *	11/2022	Li	D3/203.3
D893,858 S *	8/2020	Xu	D3/203.1	D969,477 S *	11/2022	Chen	D3/203.2
D906,662 S *	1/2021	Desset-Brethes	G01F 11/261	D971,433 S *	11/2022	Castellanos	A61M 15/0028
			D3/203.2				D24/220
D907,236 S *	1/2021	Lee	D24/220	D971,588 S *	12/2022	Zhang	D3/203.2
D909,744 S *	2/2021	Guo	A61J 7/0084	2017/0361985 A1 *	12/2017	Kaminkow	B65D 43/02
			D3/203.3	2018/0199759 A1 *	7/2018	Qiu	A47J 42/20
				2020/0130900 A1 *	4/2020	Herbert	A61J 1/1412
				2021/0292058 A1 *	9/2021	Smith	B65D 43/0214
				2022/0175618 A1 *	6/2022	Wang	A61J 1/03

\* cited by examiner

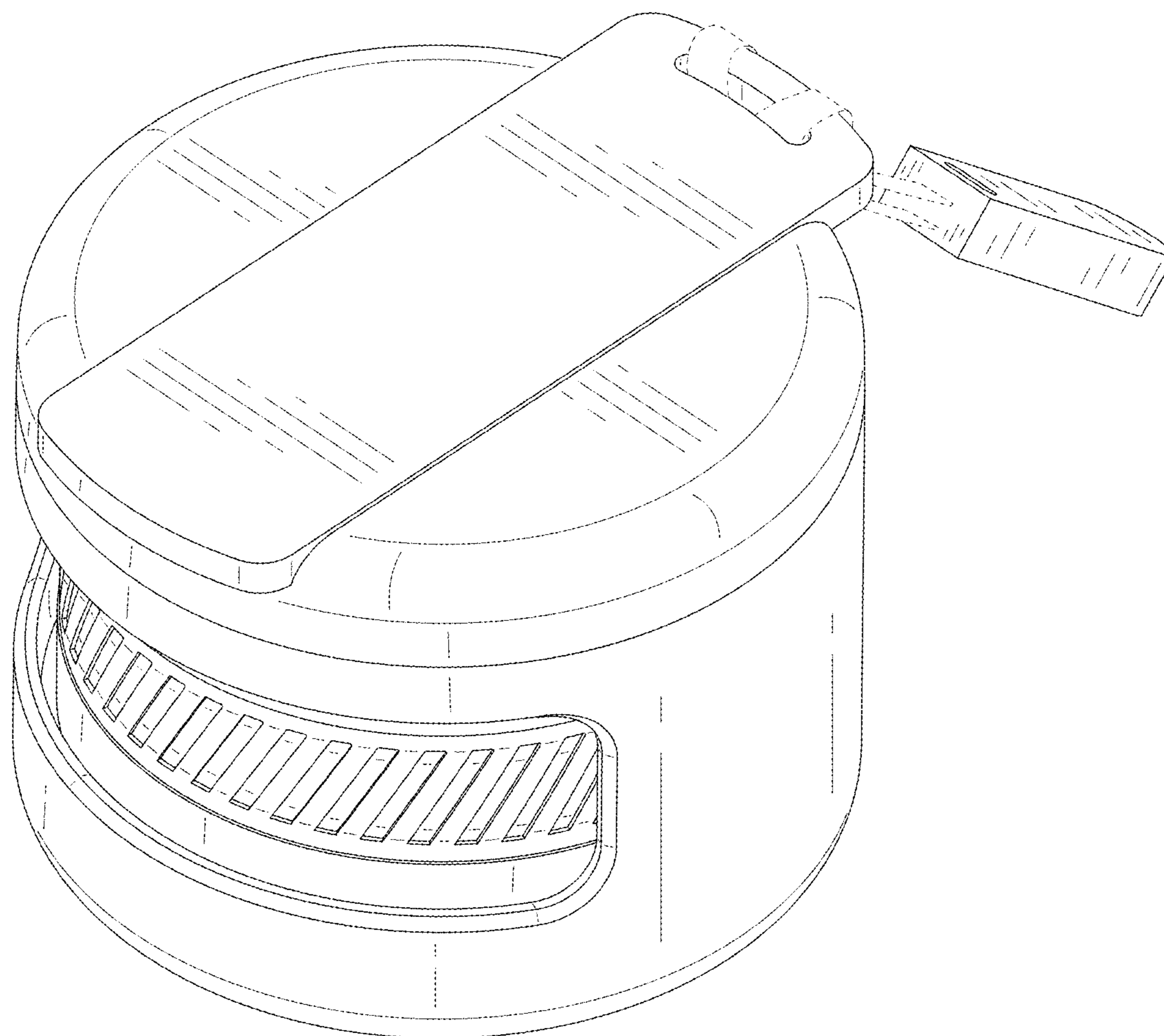


FIG. 1

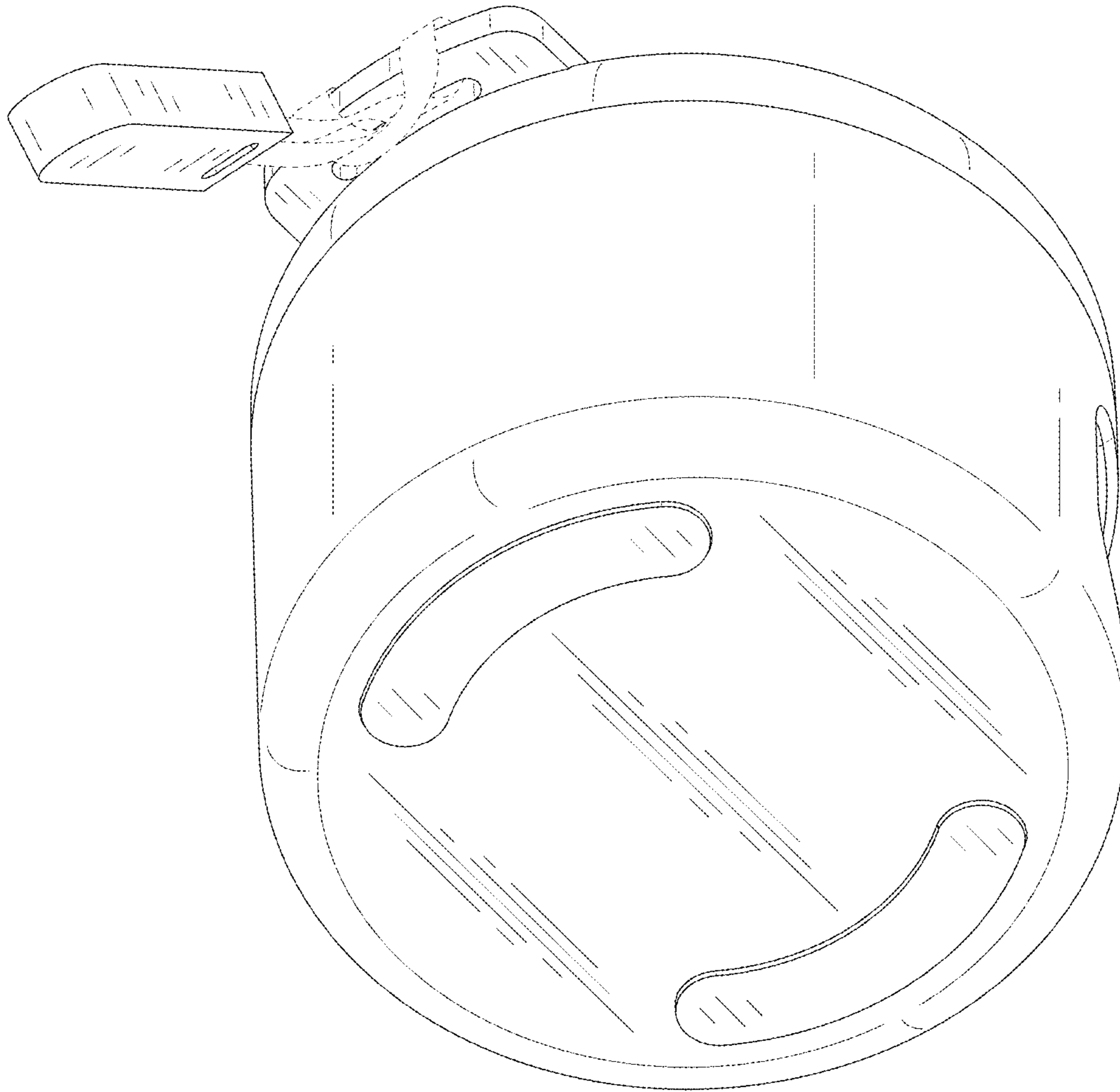


FIG. 2

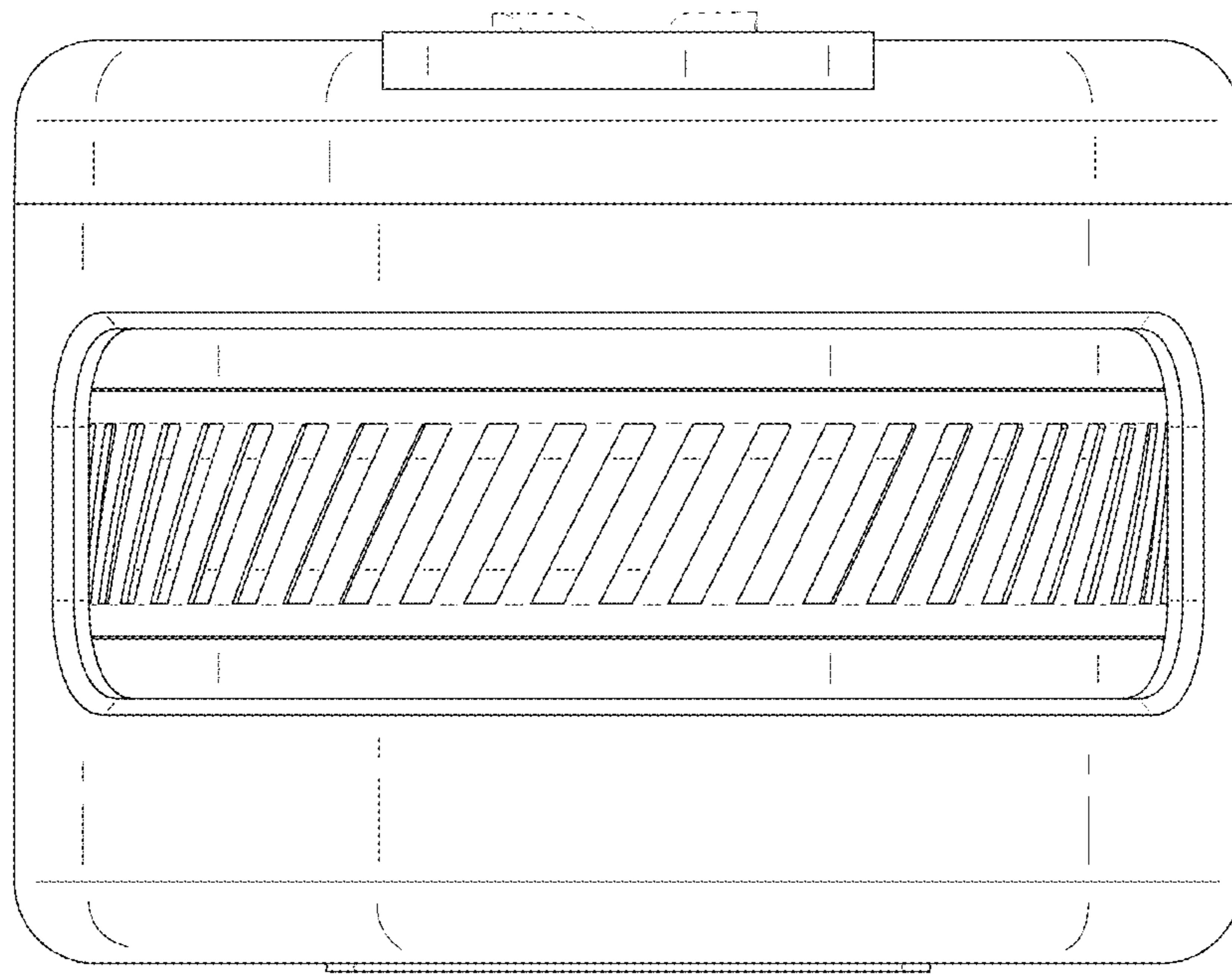


FIG. 3

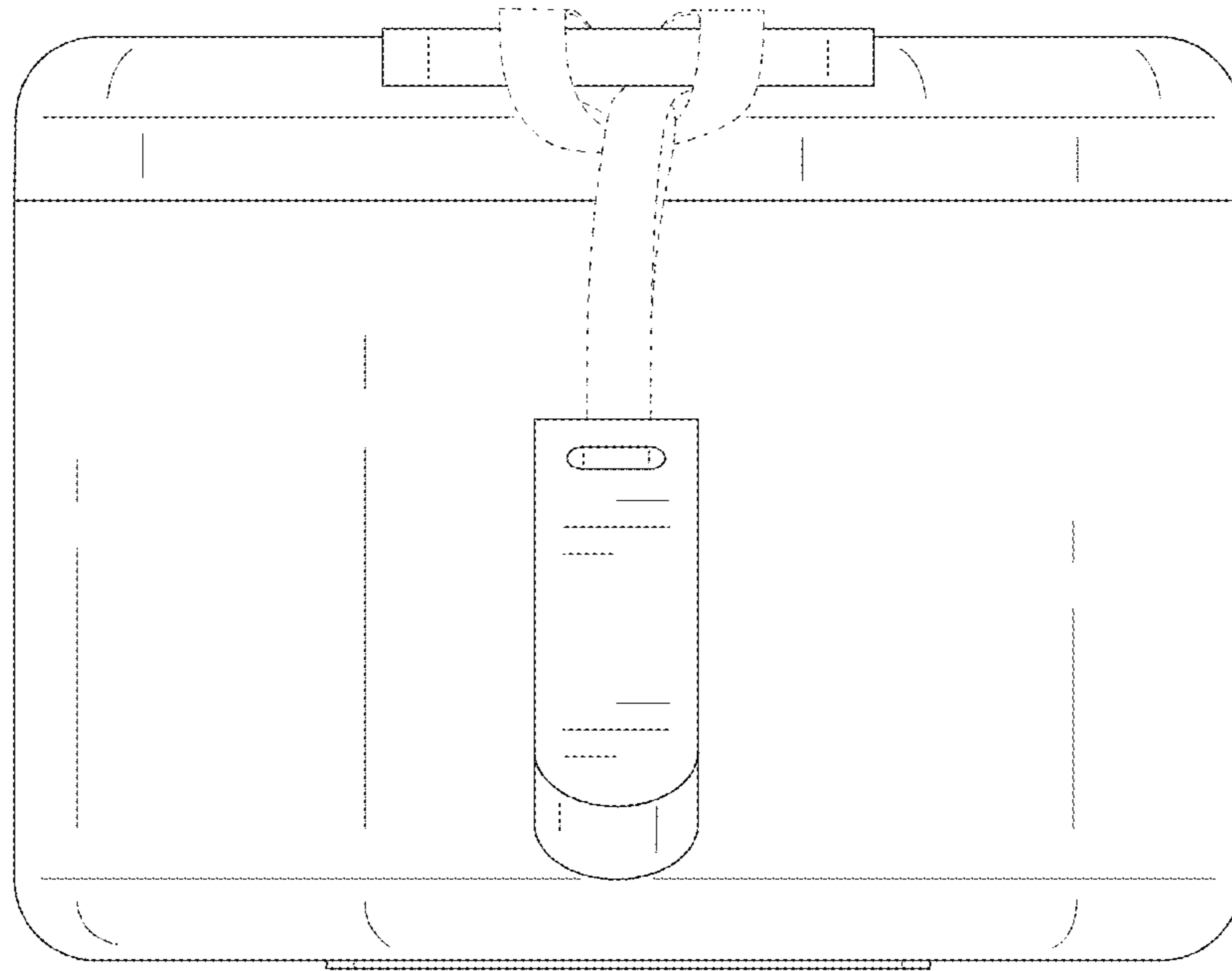


FIG. 4

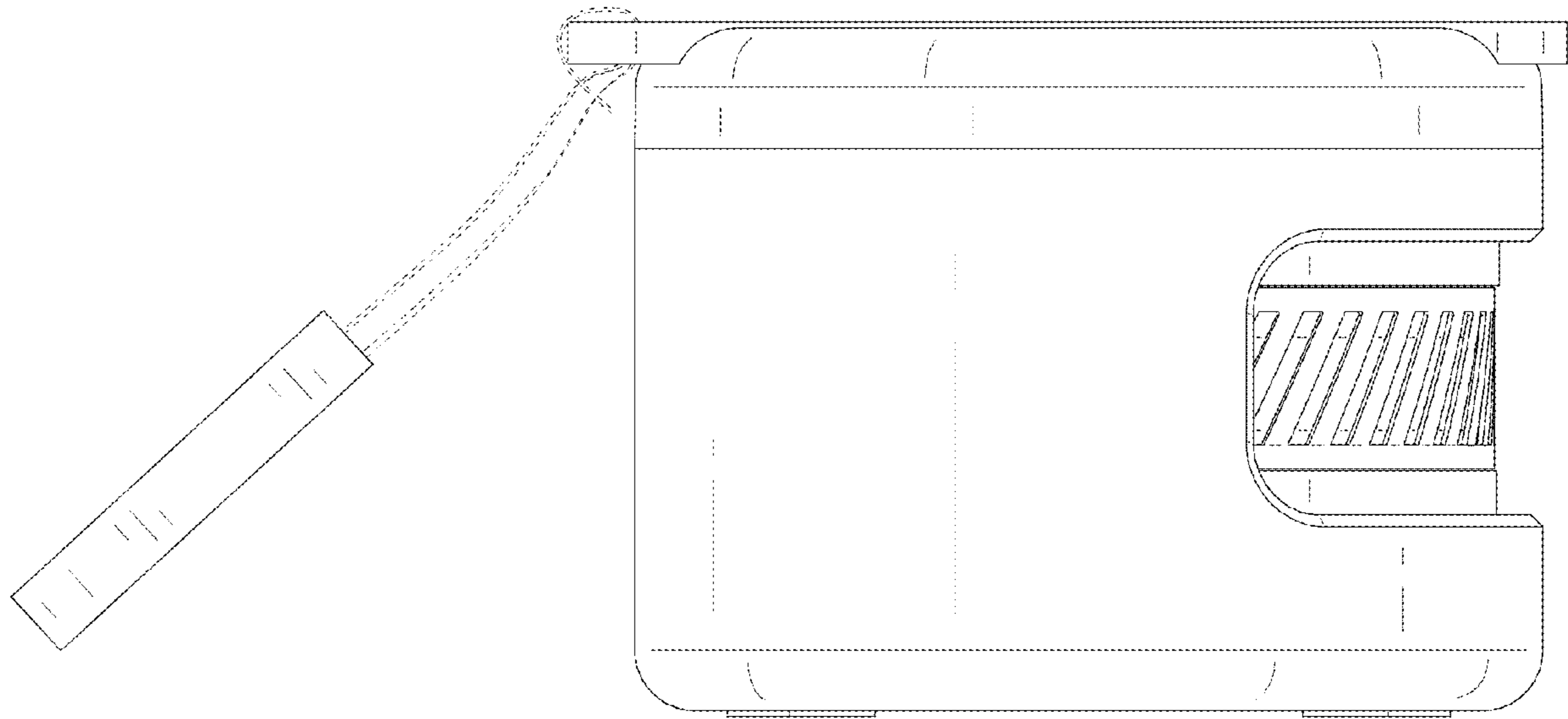


FIG. 5

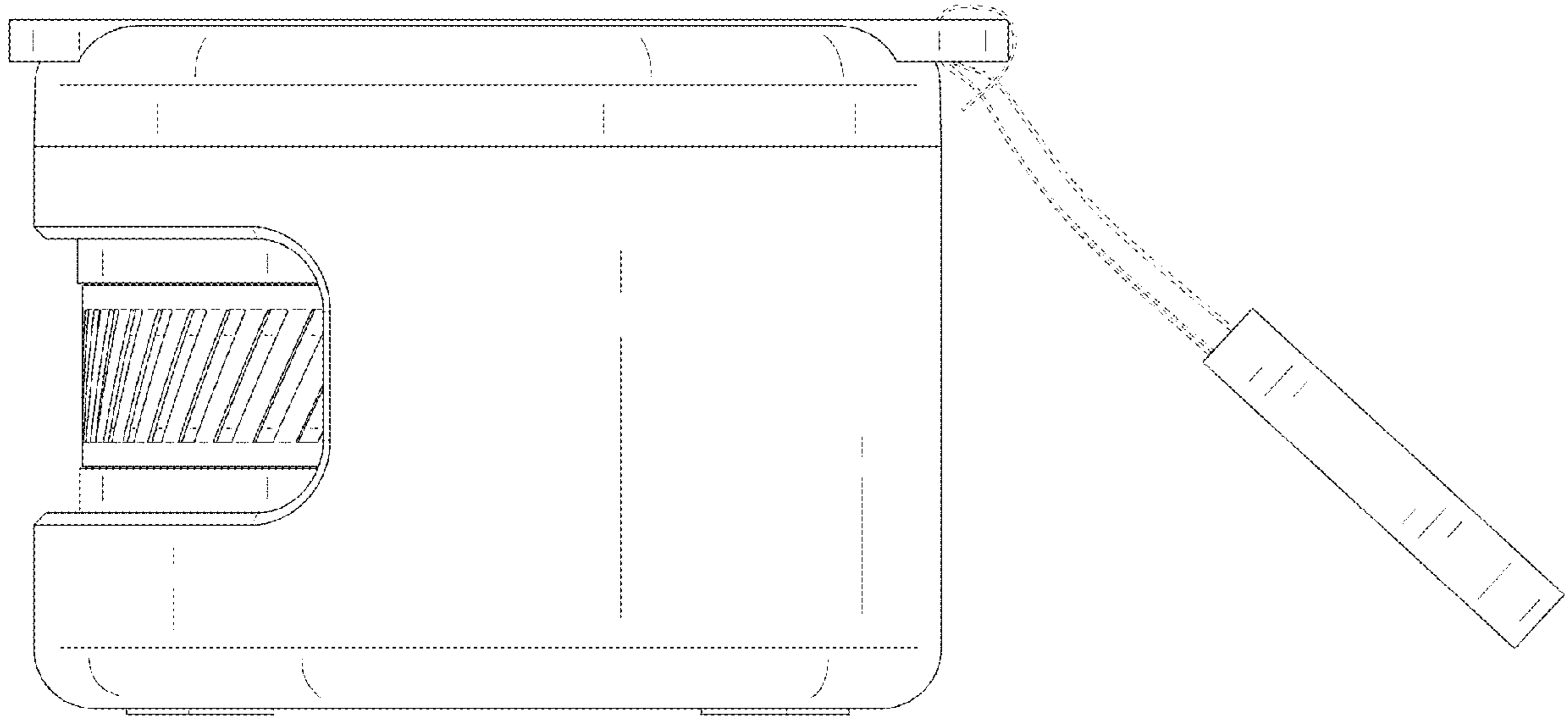


FIG. 6



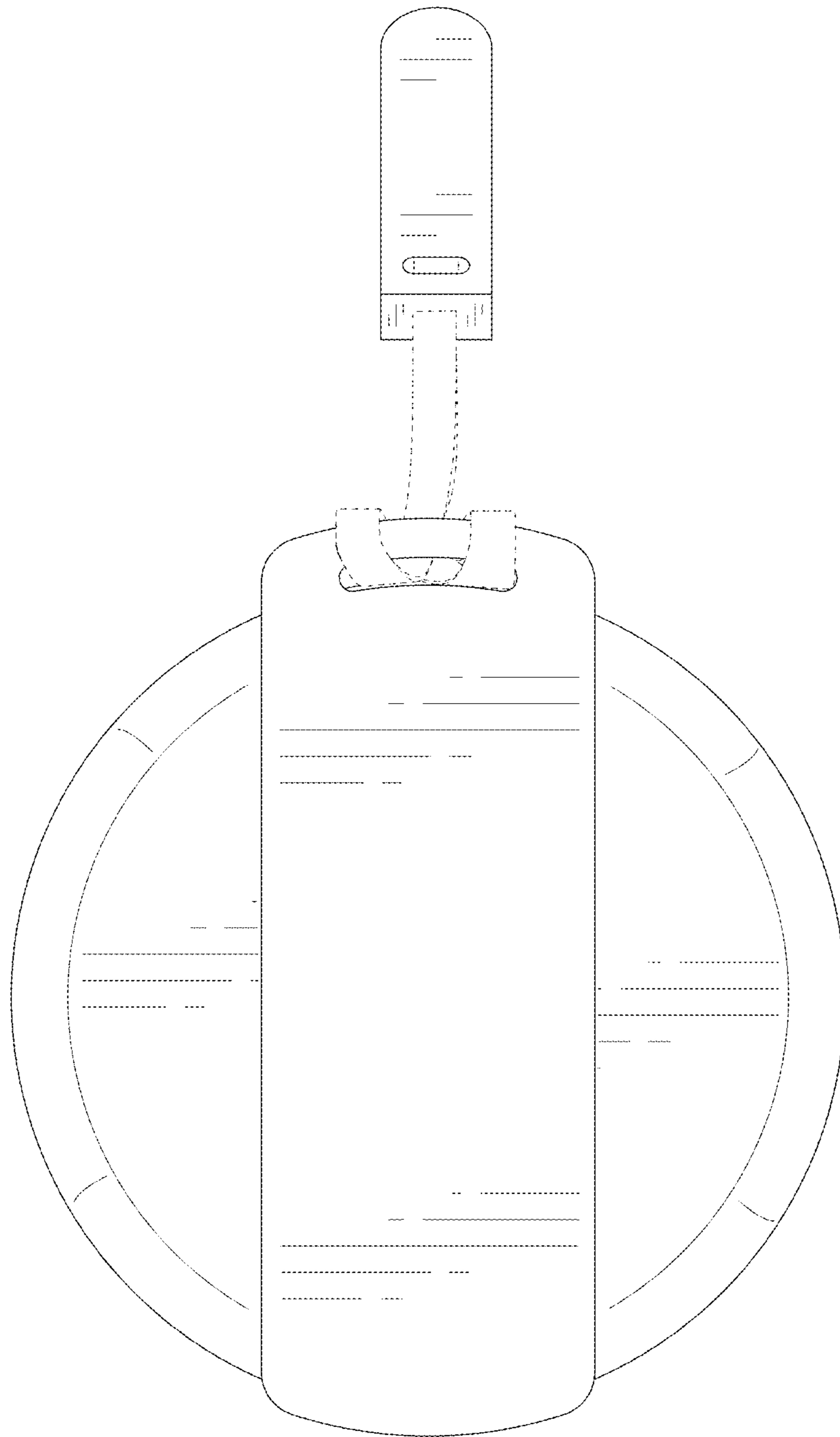


FIG. 7

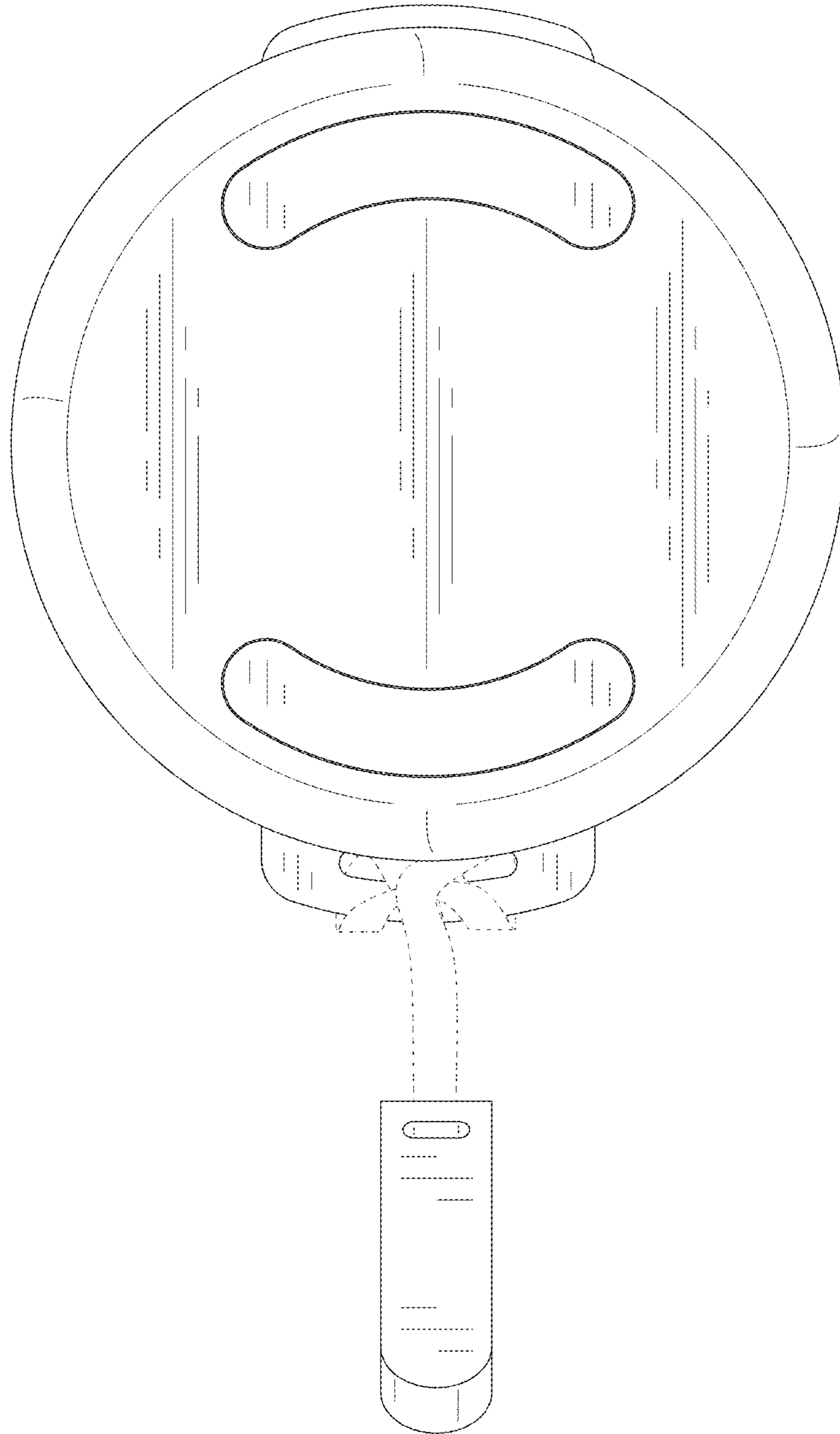


FIG. 8