



US00D984794S

(12) **United States Design Patent** (10) **Patent No.:** **US D984,794 S**
So et al. (45) **Date of Patent:** **** May 2, 2023**

(54) **CASE FOR MASK**

(71) Applicant: **LG ELECTRONICS INC.**, Seoul (KR)

(72) Inventors: **Iseop So**, Seoul (KR); **Dongsoon Kim**, Seoul (KR)

(73) Assignee: **LG ELECTRONICS INC.**, Seoul (KR)

(**) Term: **15 Years**

(21) Appl. No.: **29/769,485**

(22) Filed: **Feb. 5, 2021**

(30) **Foreign Application Priority Data**

Aug. 6, 2020 (KR) 30-2020-0036639

(51) **LOC (14) Cl.** **03-01**

(52) **U.S. Cl.**
USPC **D3/203.1**

(58) **Field of Classification Search**
USPC D3/201, 203.1, 203.2, 203.3, 203.4,
D3/203.5, 203.6, 203.7, 203.8, 204-212,
(Continued)

(56) **References Cited**

U.S. PATENT DOCUMENTS

D257,790 S * 1/1981 Kesling D24/227
D369,902 S * 5/1996 Petruzzi D3/207
(Continued)

FOREIGN PATENT DOCUMENTS

CN 305419229 * 11/2019
CN 307239211 * 4/2022
(Continued)

OTHER PUBLICATIONS

LG PuriCare Wearable Air Purifier UV-C Case, available at youtube.com, posted Dec. 14, 2020 [online], site visited Aug. 2, 2022,

available from the internet URL: <https://www.youtube.com/watch?v=TYmxAF911sA> (Year: 2020).*

(Continued)

Primary Examiner — Tracey J Bell
Assistant Examiner — Jillian Mazzola

(74) *Attorney, Agent, or Firm* — Birch, Stewart, Kolasch & Birch, LLP

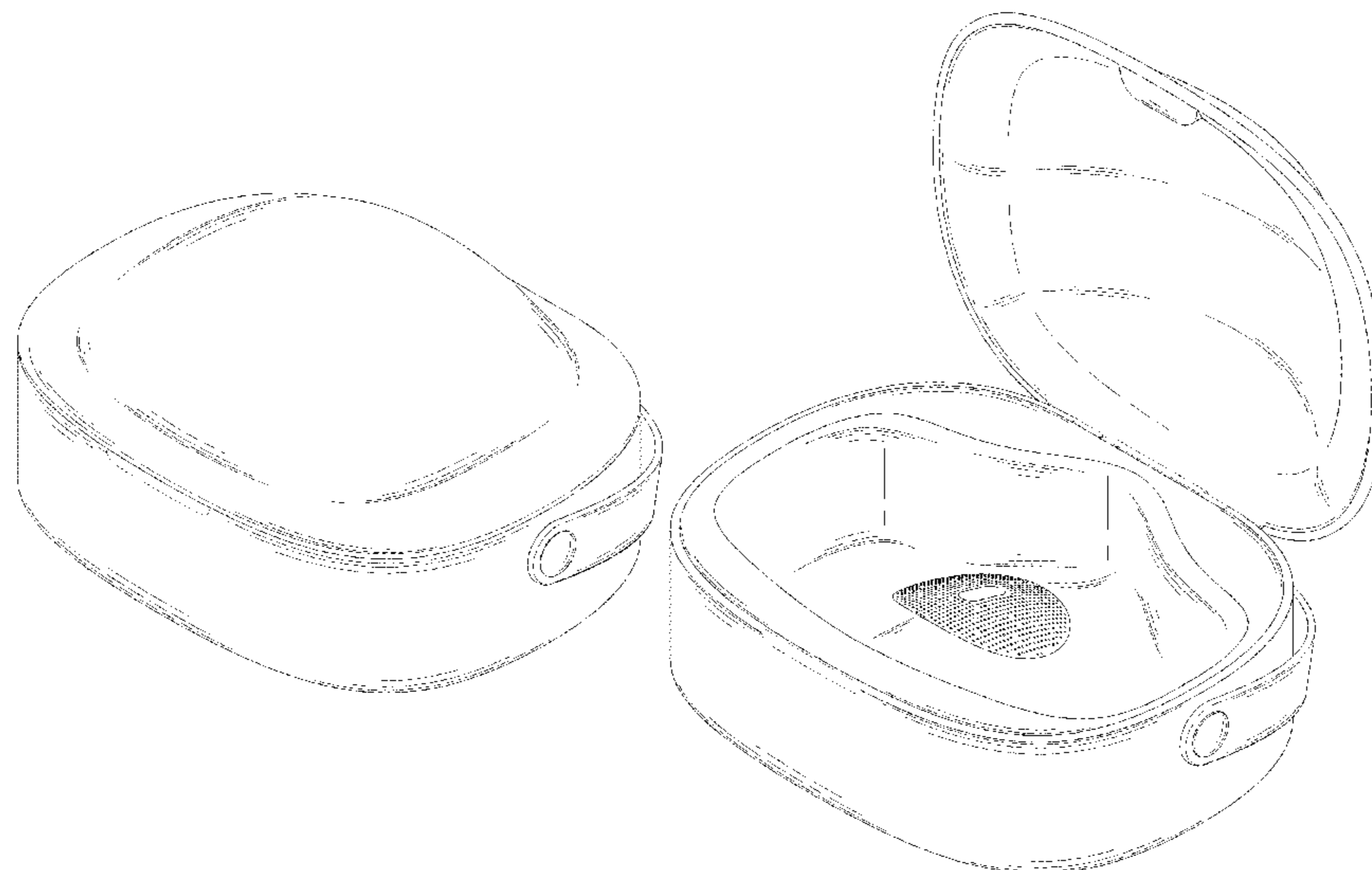
(57) **CLAIM**

The ornamental design for a case for mask, as shown and described.

DESCRIPTION

FIG. 1 is a front perspective view of a case for mask showing our new design;
FIG. 2 is a front view thereof;
FIG. 3 is a back view thereof;
FIG. 4 is a left side view thereof;
FIG. 5 is a right side view thereof;
FIG. 6 is a top plan view thereof;
FIG. 7 is a bottom plan view thereof;
FIG. 8 is a front perspective view of the case for mask shown in an alternate configuration with the cover in an opened condition;
FIG. 9 is a front view of FIG. 8;
FIG. 10 is a back view of FIG. 8;
FIG. 11 is a left side view of FIG. 8;
FIG. 12 is a right side view of FIG. 8;
FIG. 13 is a top plan view of FIG. 8;
FIG. 14 is a bottom plan view of FIG. 8; and,
FIG. 15 is an exploded view of the case for mask shown in an environment of use with a mask.
The broken lines depict portions of the case for mask that form no part of the claimed design. The broken line showing of a mask in FIG. 15 depicts environmental structure only and forms no part of the claimed design.

1 Claim, 15 Drawing Sheets



(58) **Field of Classification Search**

USPC D3/254–258, 263, 264, 273, 294, 298,
 D3/299; D7/601, 602, 609, 619.1,
 D7/631–633, 635, 637, 638; D9/414,
 D9/420–423, 434, 435, 499, 700, 701;
 D13/108; D14/203.4, 203.5, 203.6,
 D14/509–511, 205, 223; D24/224–227
 CPC A45D 29/20; A45D 44/18; A45F 3/48;
 A45C 11/00; A45C 11/005; A45C 11/008;
 A45C 11/04; A45C 11/043; A45C 11/046;
 A45C 11/08; A45C 11/14; A45C 11/182;
 A45C 11/24; A45C 11/26; A45C 11/32;
 A45C 11/321; A45C 11/34; A45C 11/36;
 A45C 2011/001; A45C 2011/002; A45C
 2011/003; A45C 2011/006; A45C
 2011/007; A45C 2011/188; A45C
 2011/322; A45C 2011/323; A45C
 2011/324; A45C 2011/325; A45C
 2011/326; A45C 2011/327; A45C
 2011/329

See application file for complete search history.

(56) **References Cited**

U.S. PATENT DOCUMENTS

D496,154 S * 9/2004 Herman D3/203.1
 D570,596 S * 6/2008 Berg D3/204
 D602,245 S * 10/2009 Christie D3/205
 D697,302 S * 1/2014 Pourcho D3/203.1
 D705,532 S * 5/2014 Kolton D3/294

D740,692 S * 10/2015 Christie D9/748
 D850,103 S * 6/2019 Natsume D3/265
 D874,062 S * 1/2020 McGarry D3/205
 D876,820 S * 3/2020 Griffin D3/203.1
 D887,351 S * 6/2020 Bonahoom D13/108
 D897,664 S * 10/2020 Li D3/273
 D906,280 S * 12/2020 Matarese D14/204
 D911,274 S * 2/2021 Ding D13/108
 D946,895 S * 3/2022 Xie D3/294

FOREIGN PATENT DOCUMENTS

CN 307405147 * 6/2022
 TW 216726-0001 * 1/2022

OTHER PUBLICATIONS

Nike Venturer Performance Face Mask, available at [nike.com](https://www.nike.com), earliest customer review date Aug. 6, 2021 [online], site visited Aug. 2, 2022, available from the internet URL: <https://www.nike.com/in/t/venturer-face-mask-7FpwM7> (Year: 2021).*

EVA Headphone Case Bag for Sony, available at [walmart.com](https://www.walmart.com), date not available [online], site visited Aug. 2, 2022, available from the internet URL: <https://www.walmart.com/ip/EVA-Headphone-Case-Bag-for-SONY-WH-1000XM4-Audio-technica-ATH-M50X-Grey/511388891?> (Year: 2022).*

New Mary Kay Round Black Makeup Case, available at [ebay.com](https://www.ebay.com), earliest date available Apr. 17, 2021 [online], site visited Aug. 2, 2022, available from the internet URL: <https://www.ebay.com/itm/284251809827> (Year: 2021).*

* cited by examiner

FIG. 1

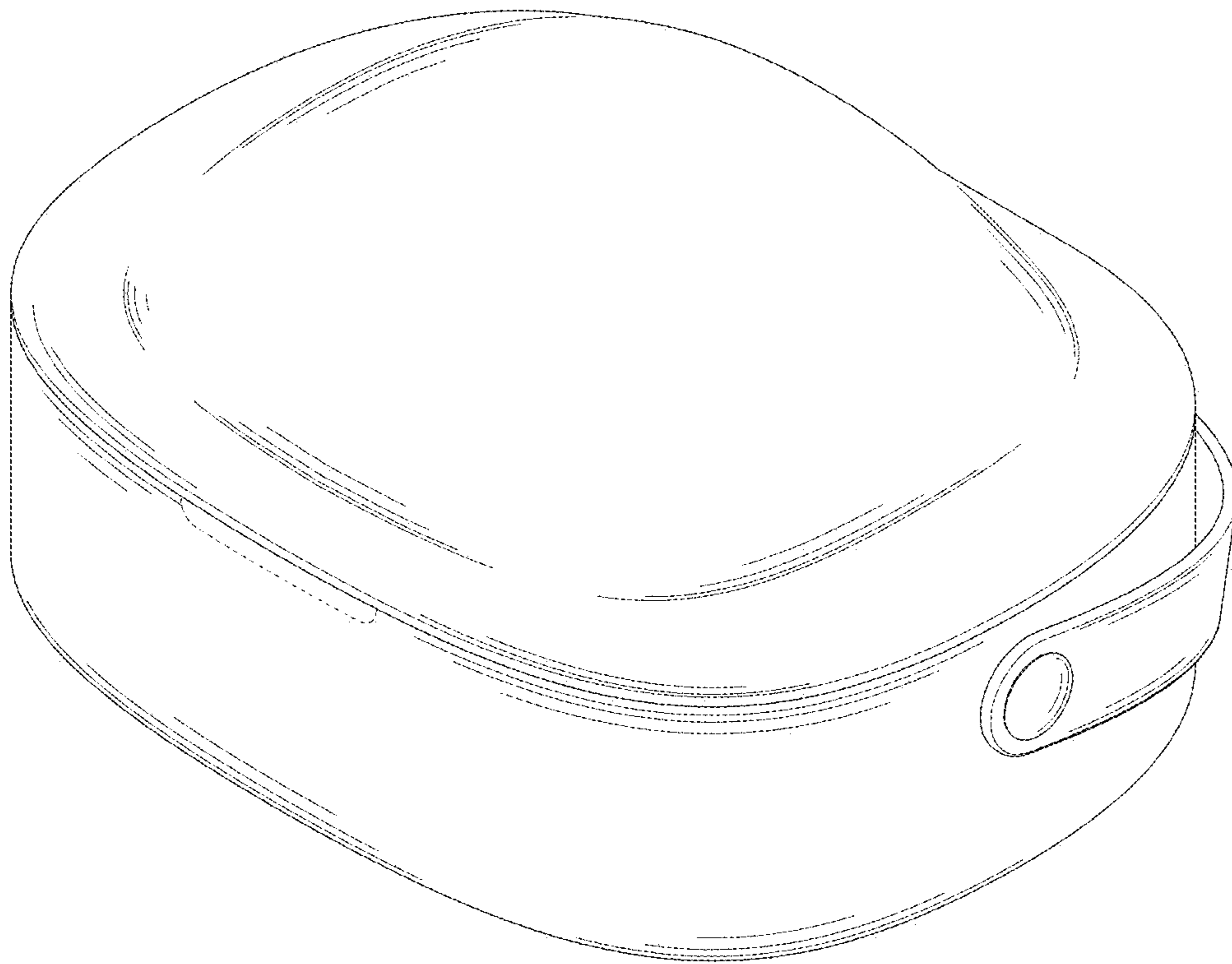


FIG. 2

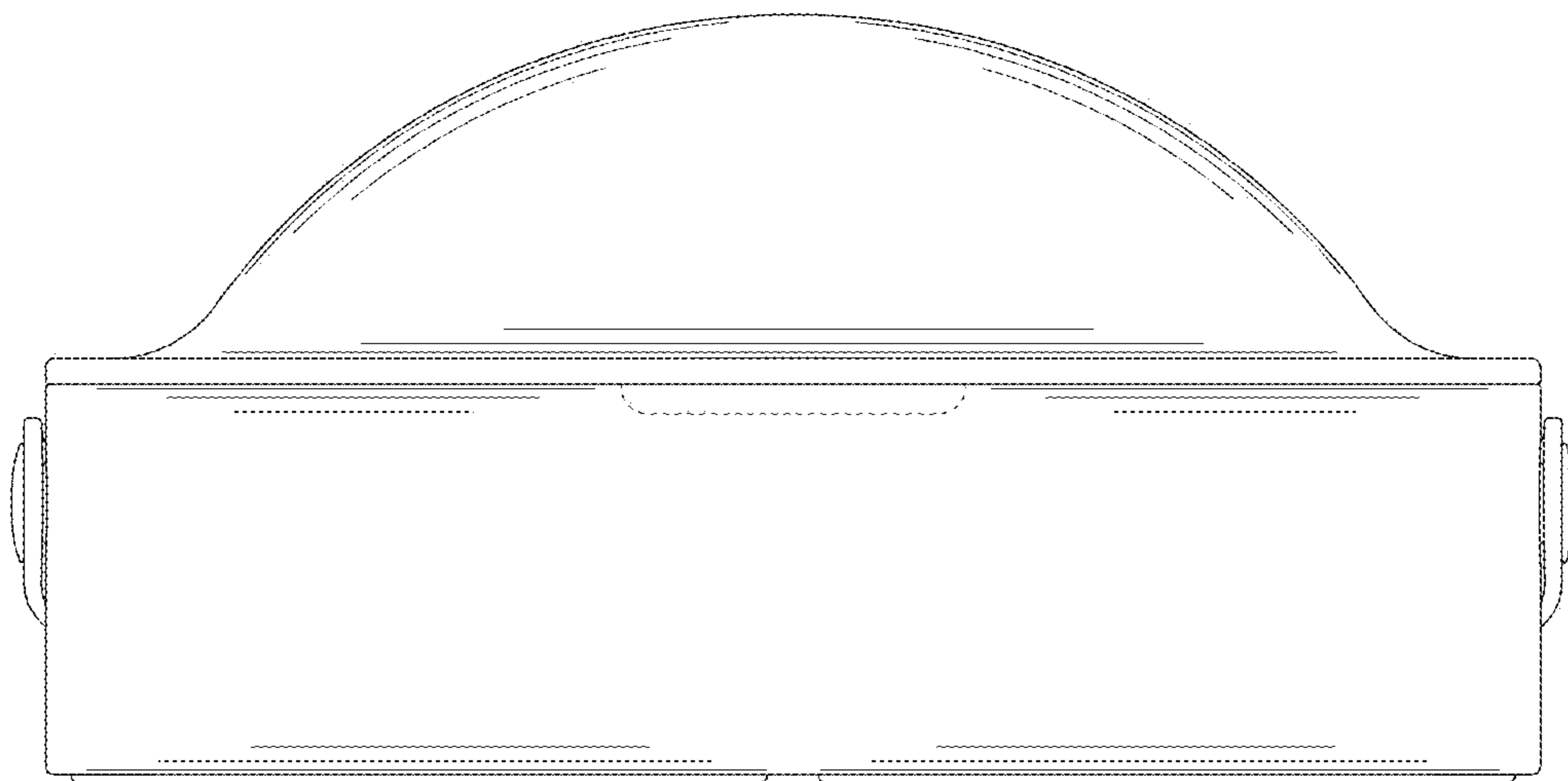


FIG. 3

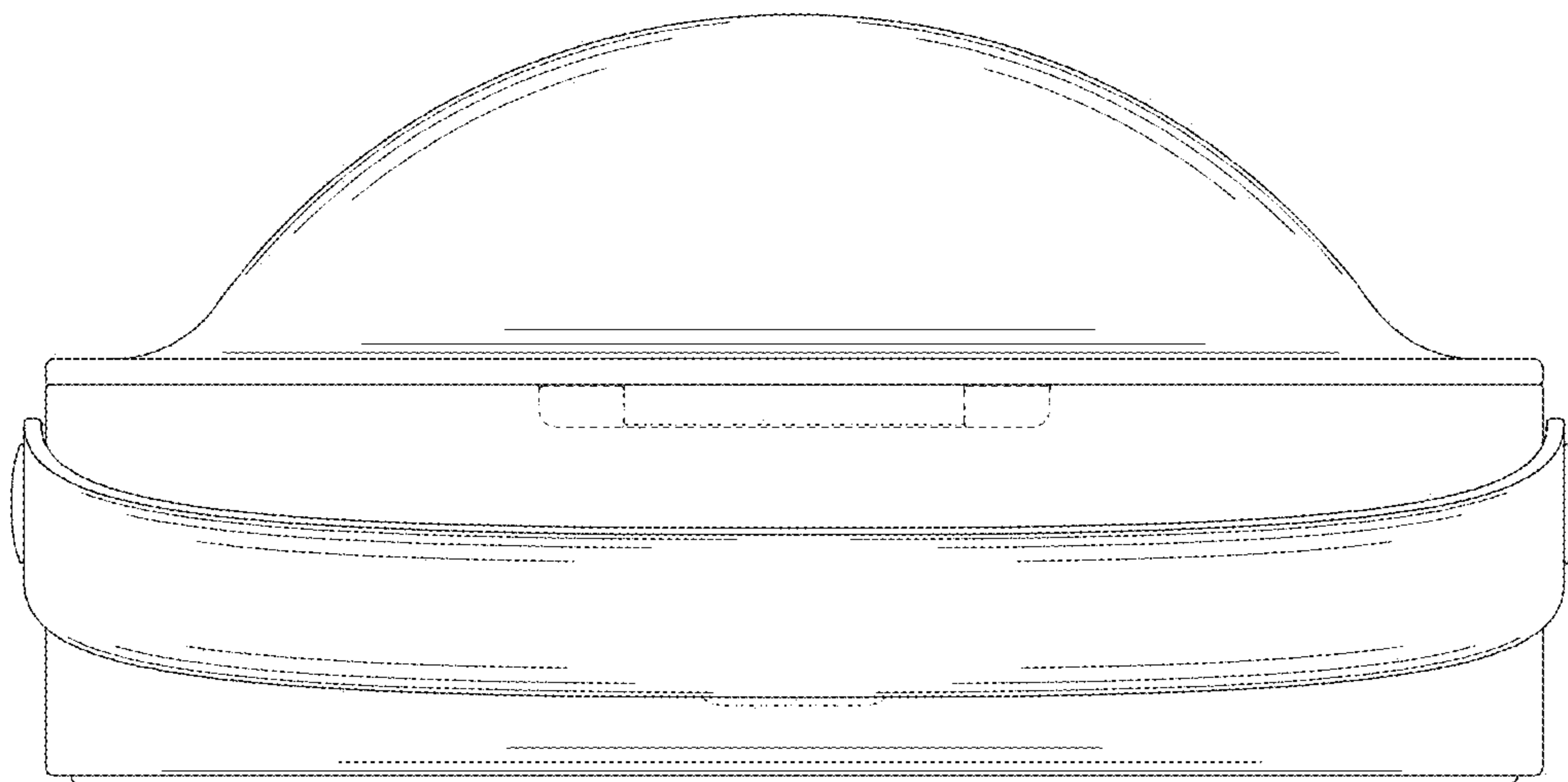


FIG. 4

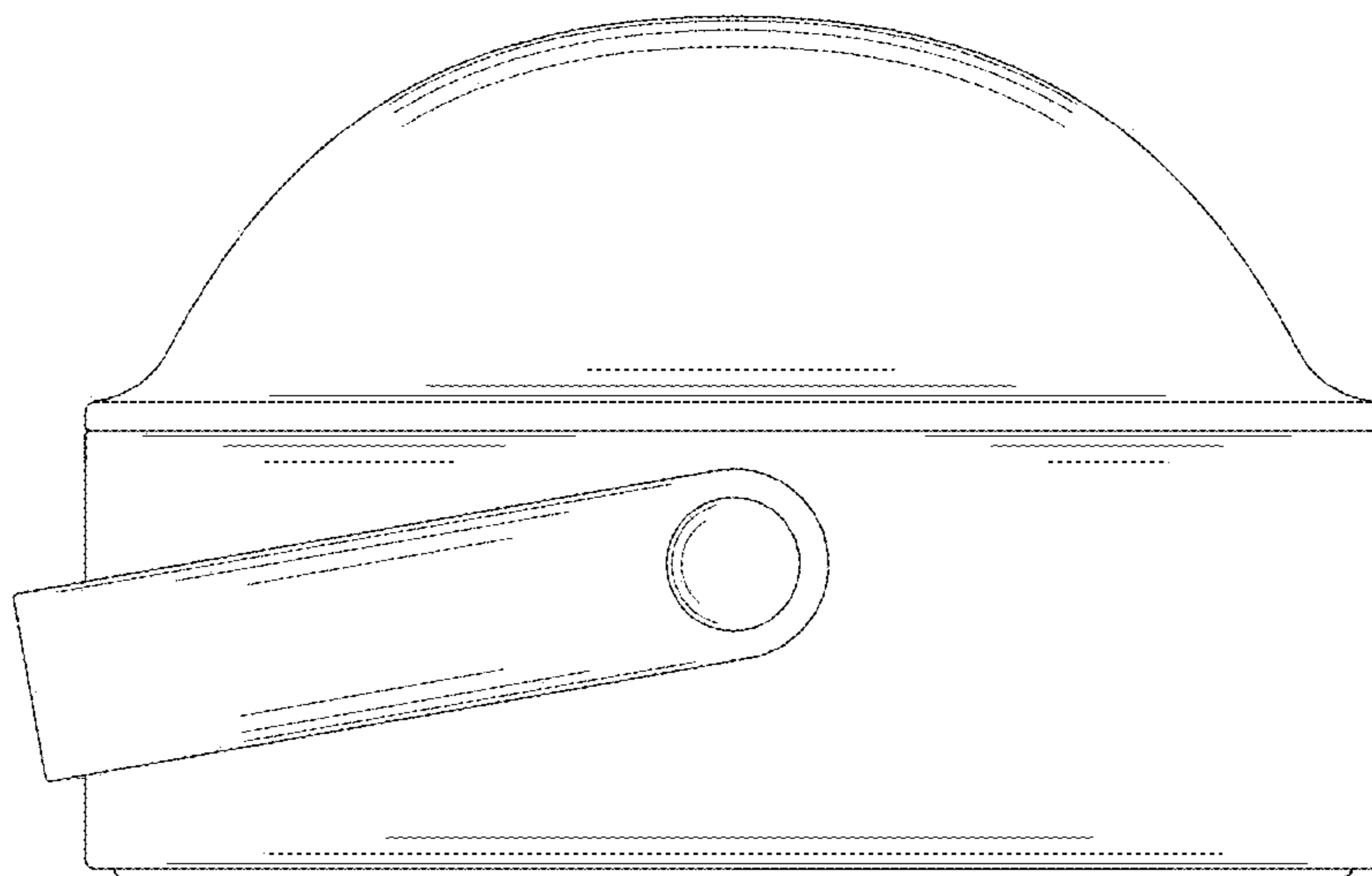


FIG. 5

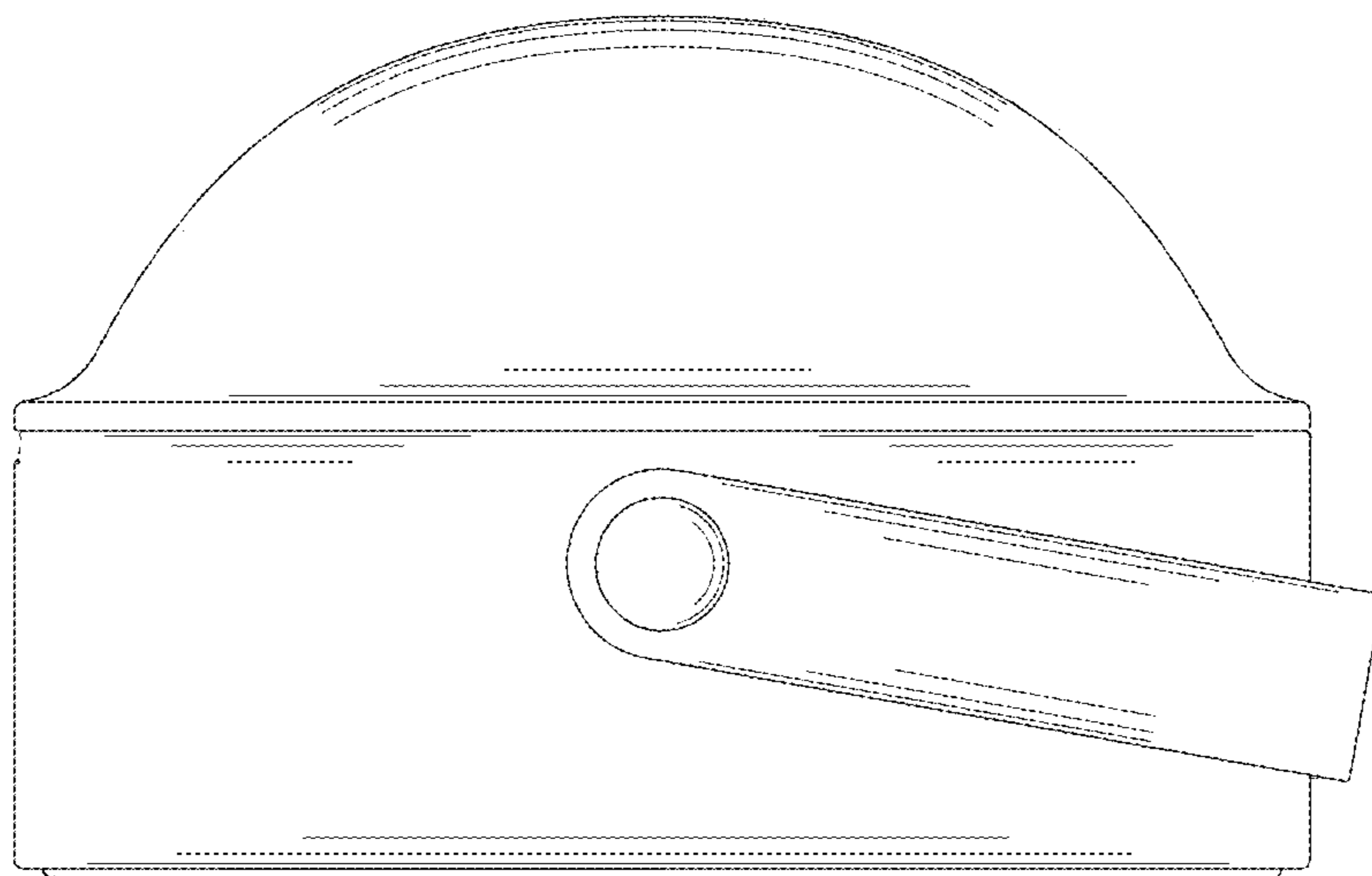


FIG. 6

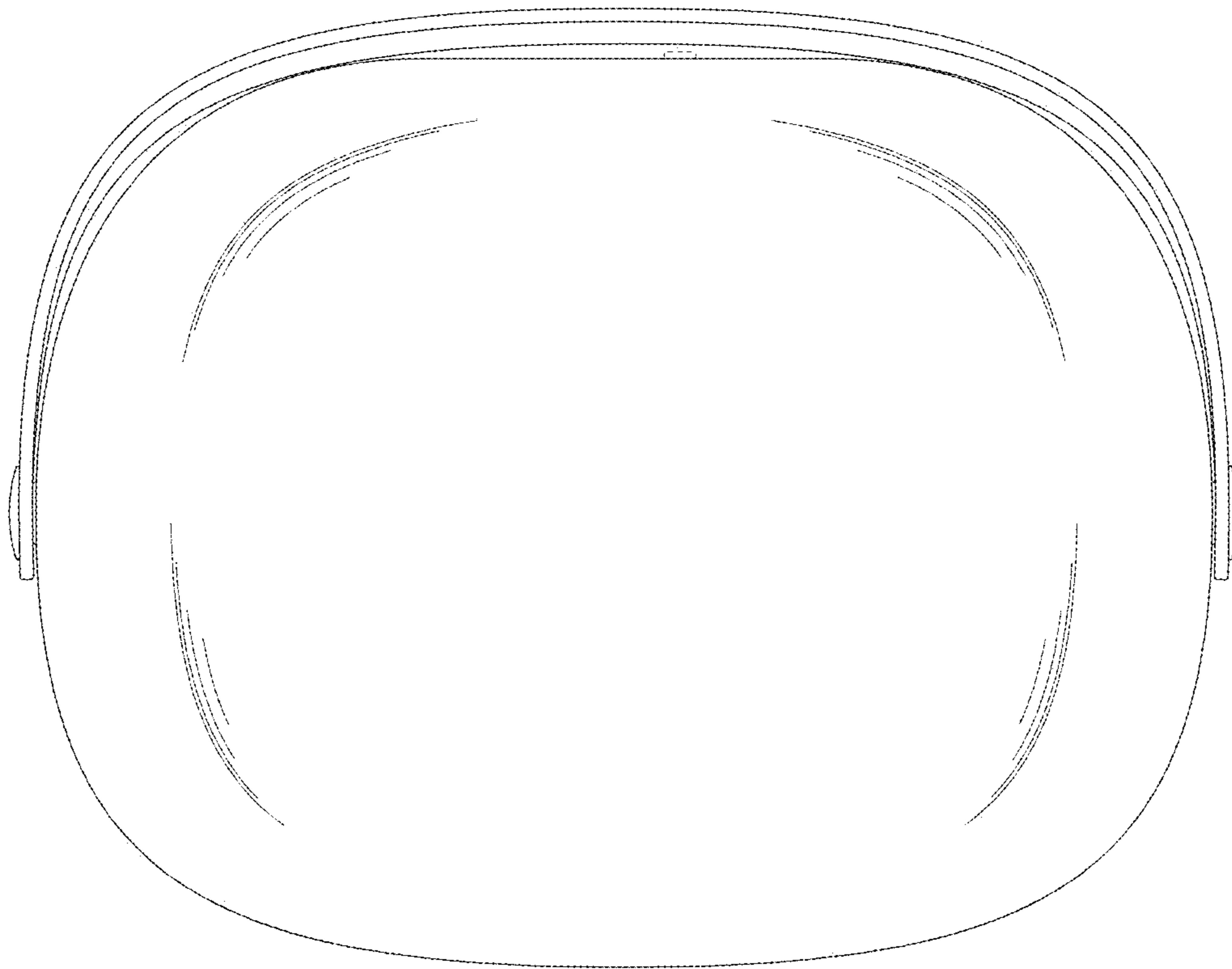


FIG. 7

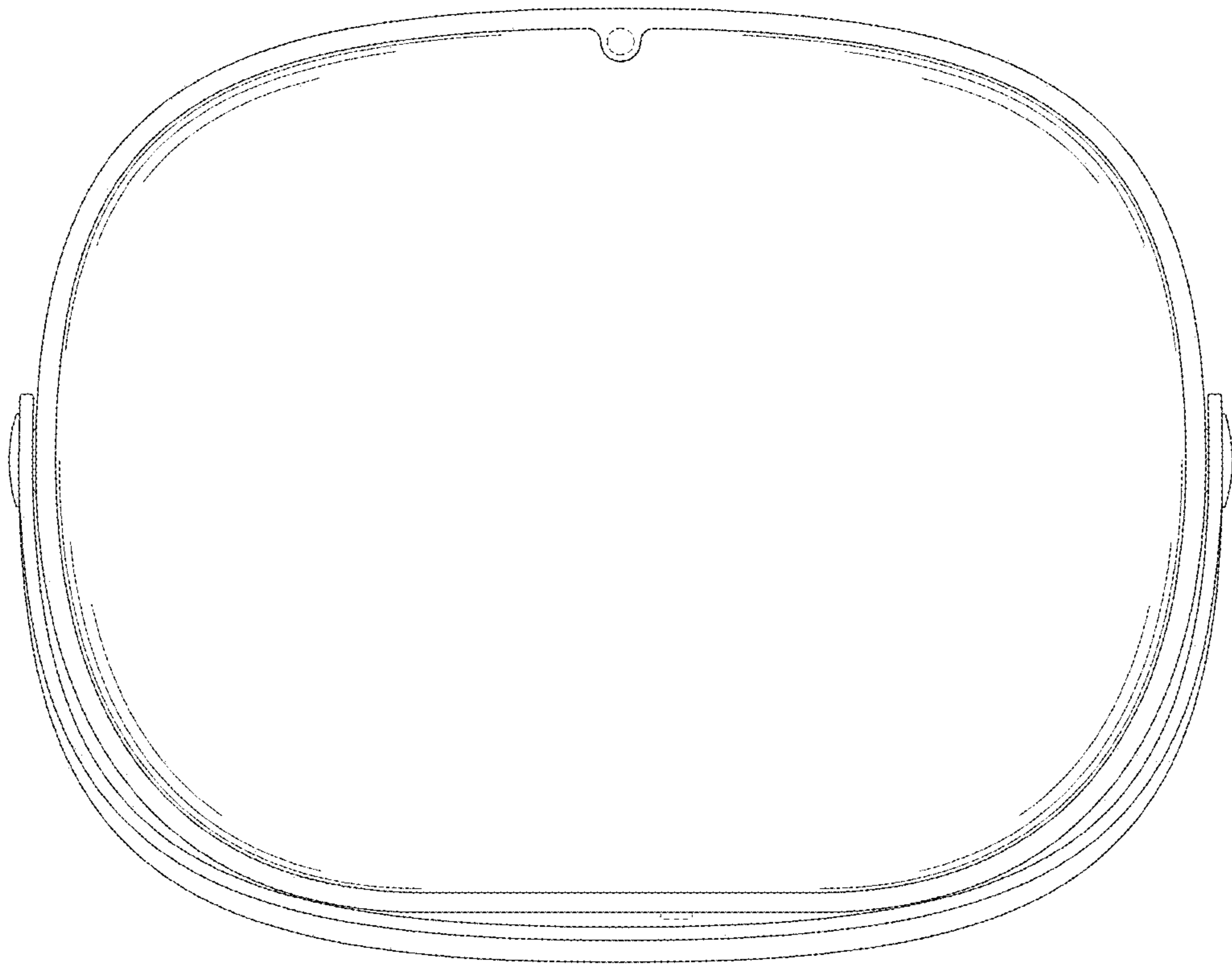


FIG. 8

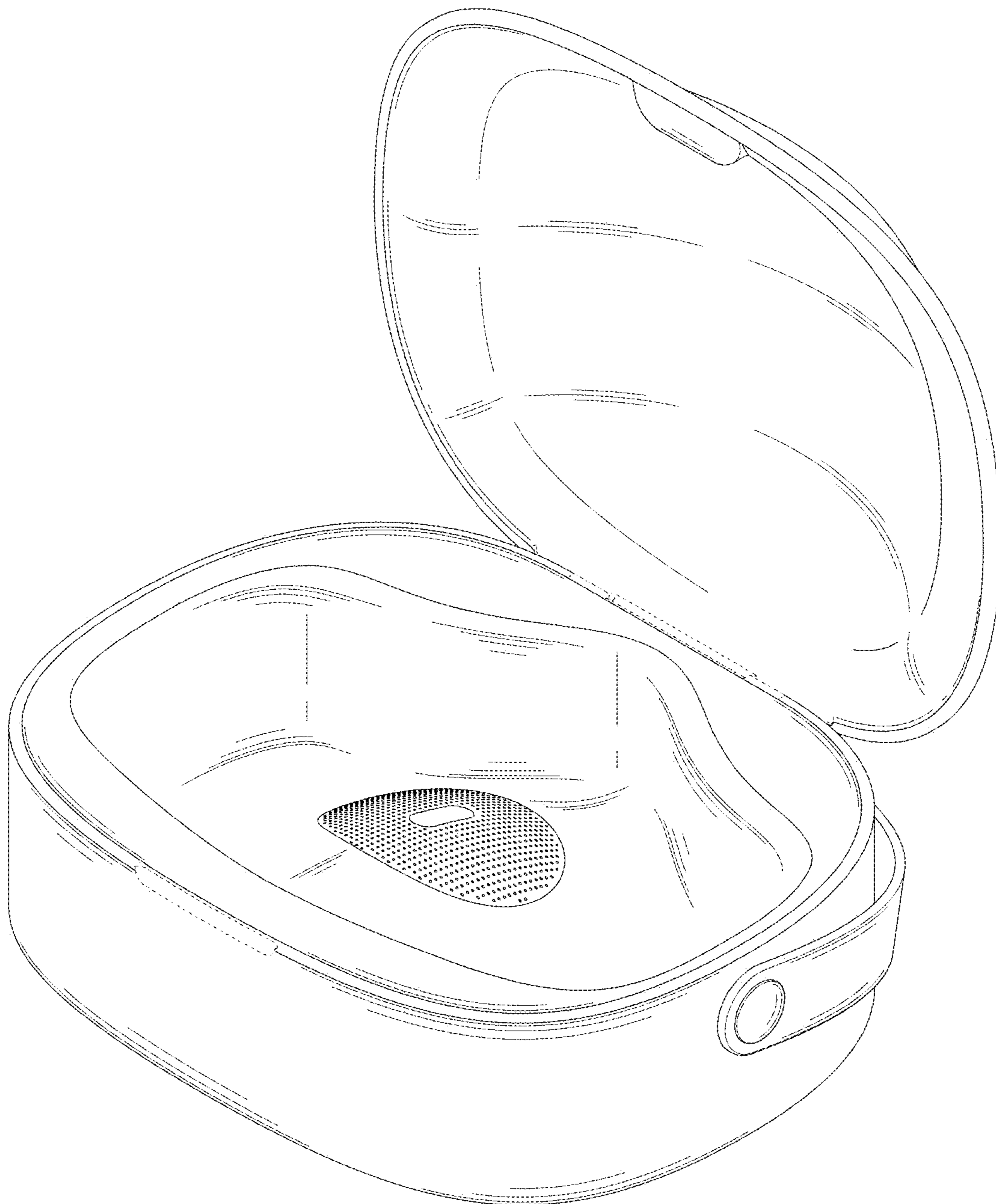


FIG. 9

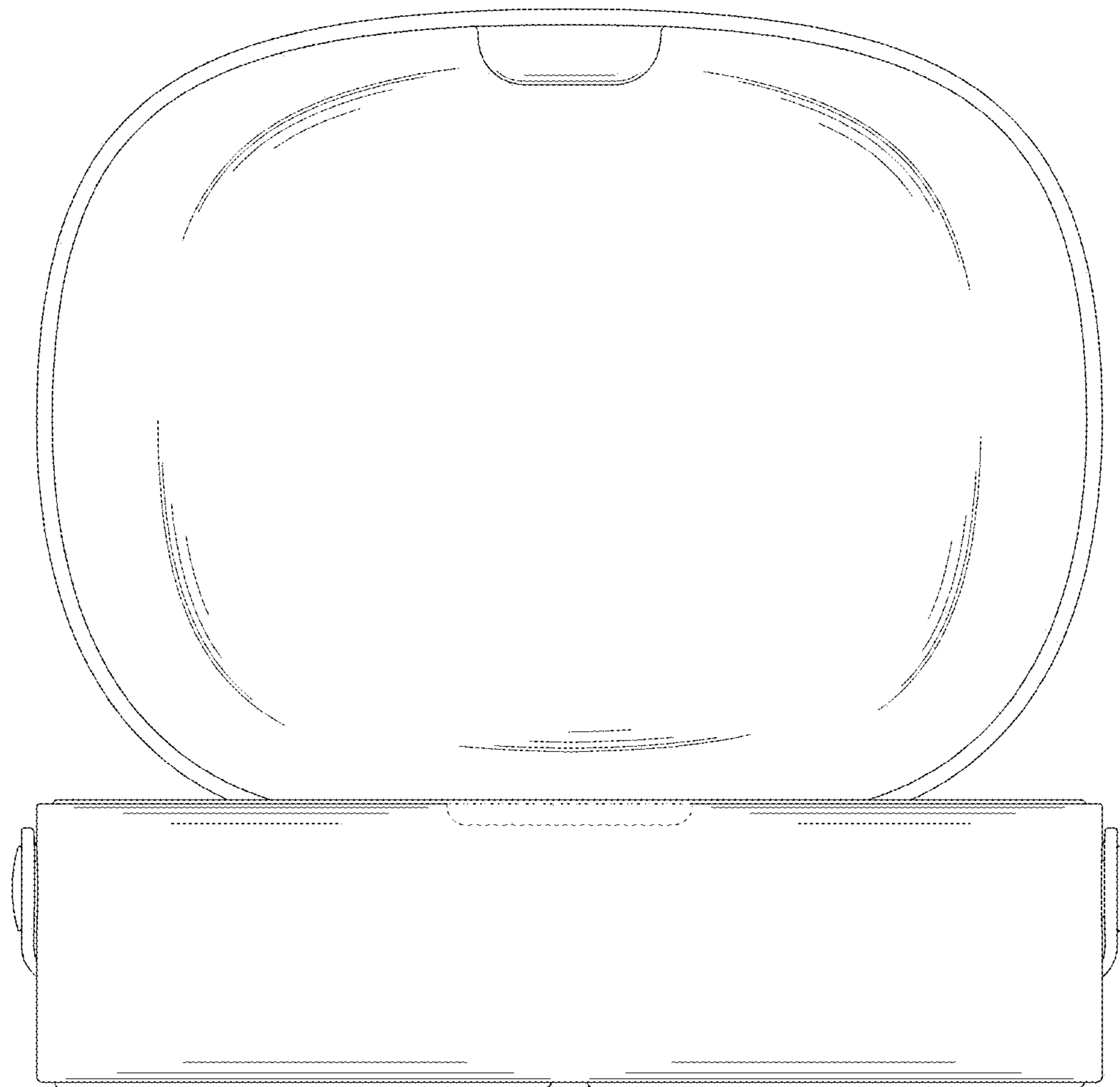


FIG. 10

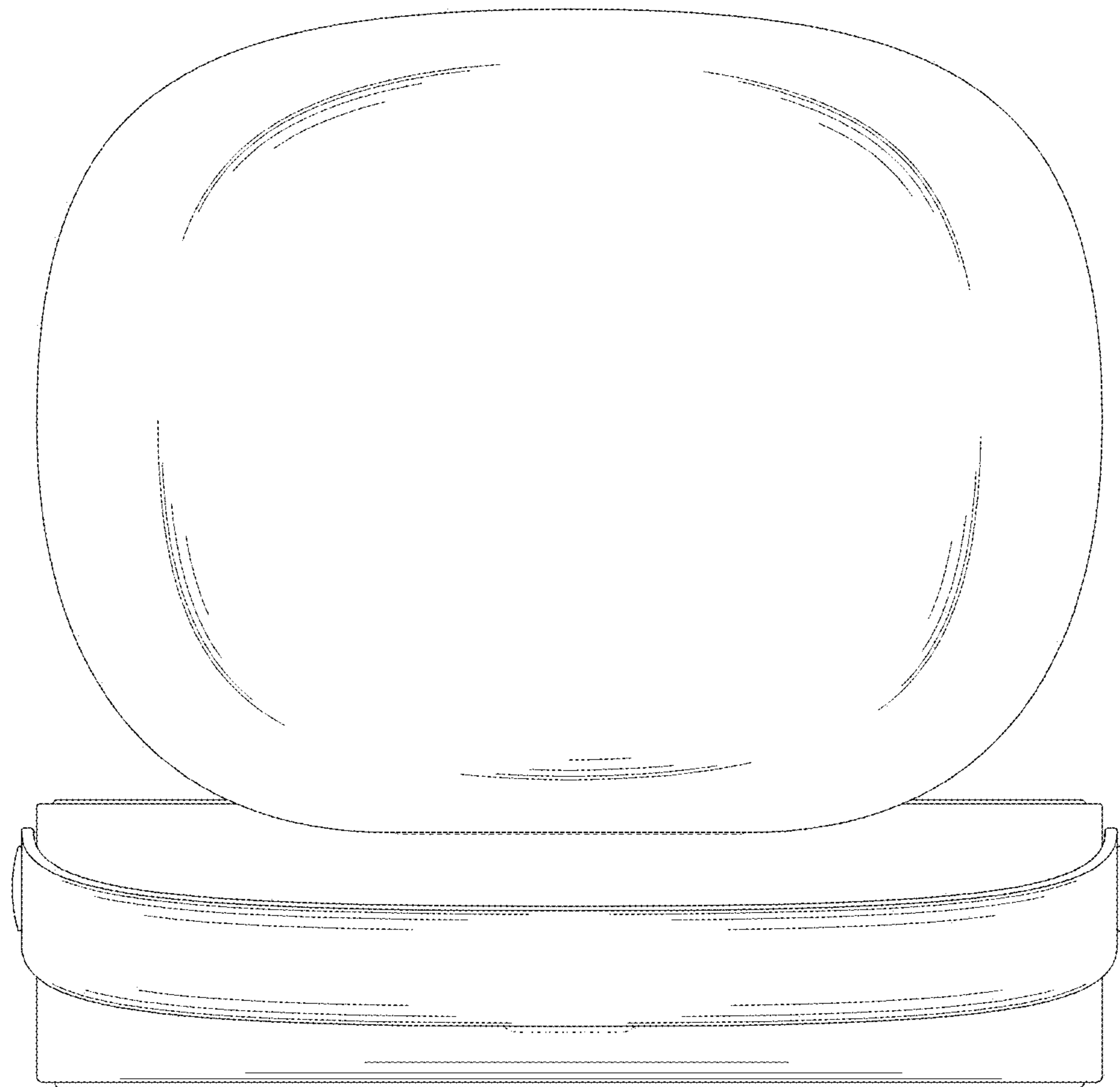


FIG. 11

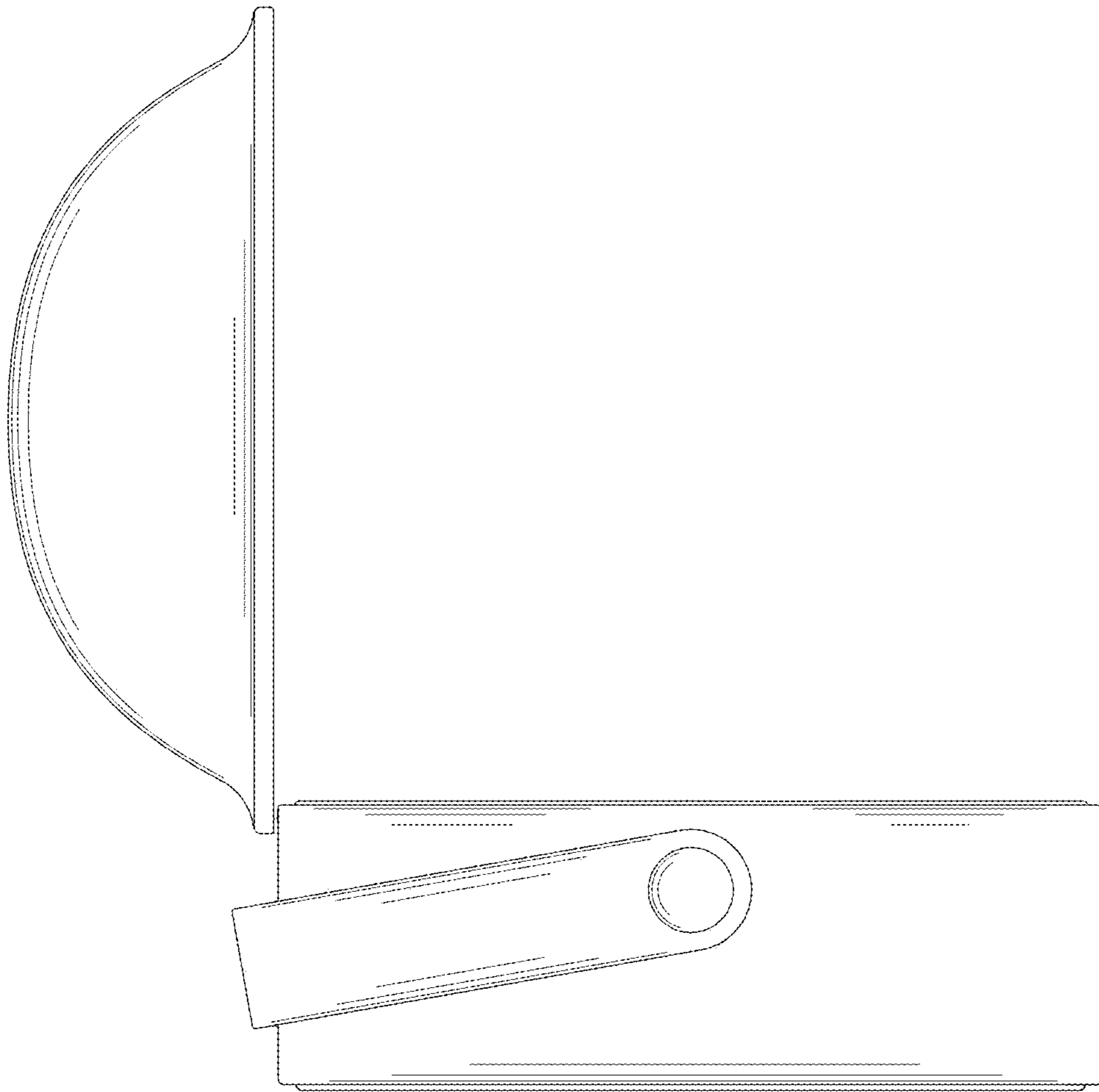


FIG. 12

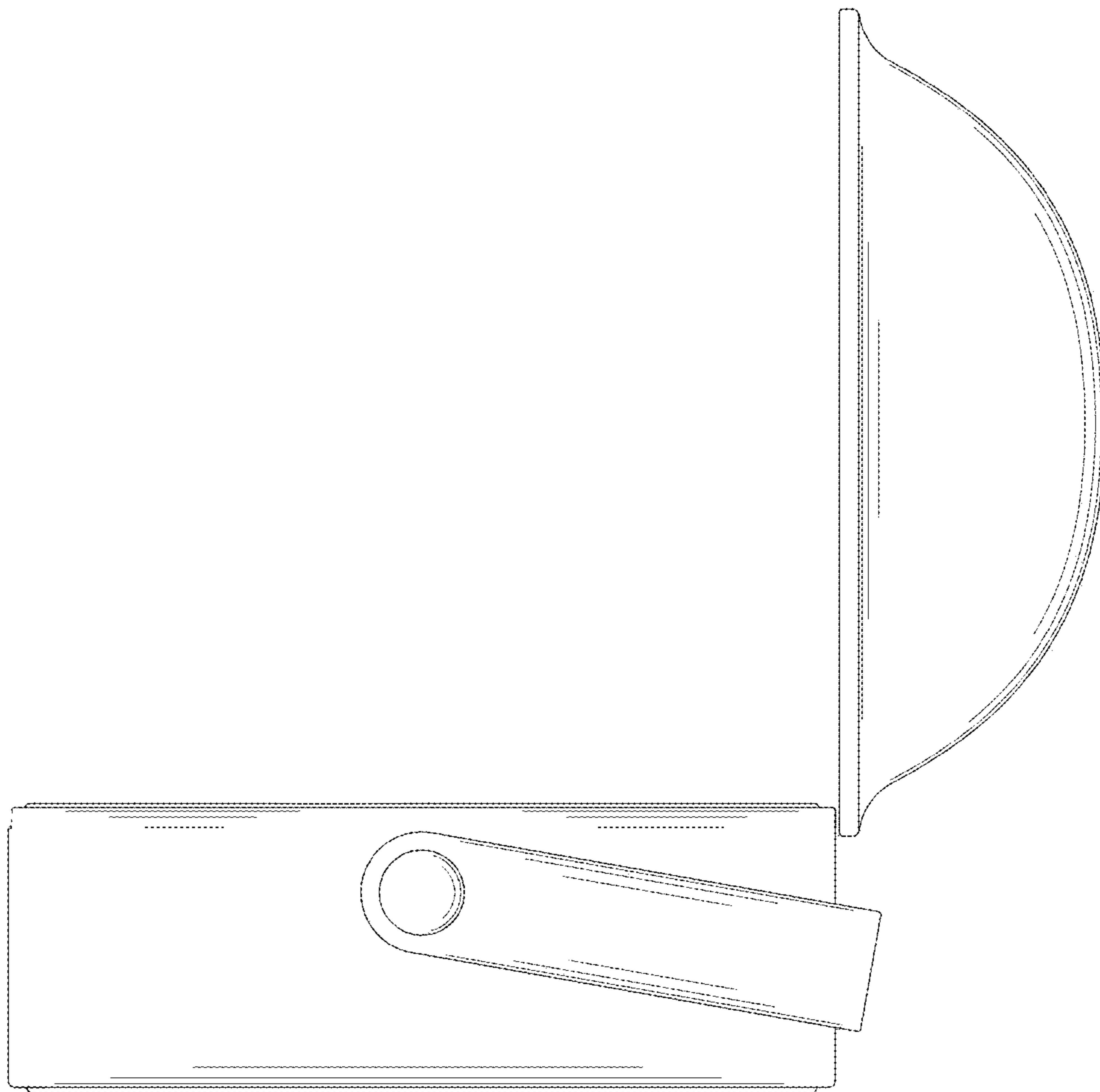


FIG. 13

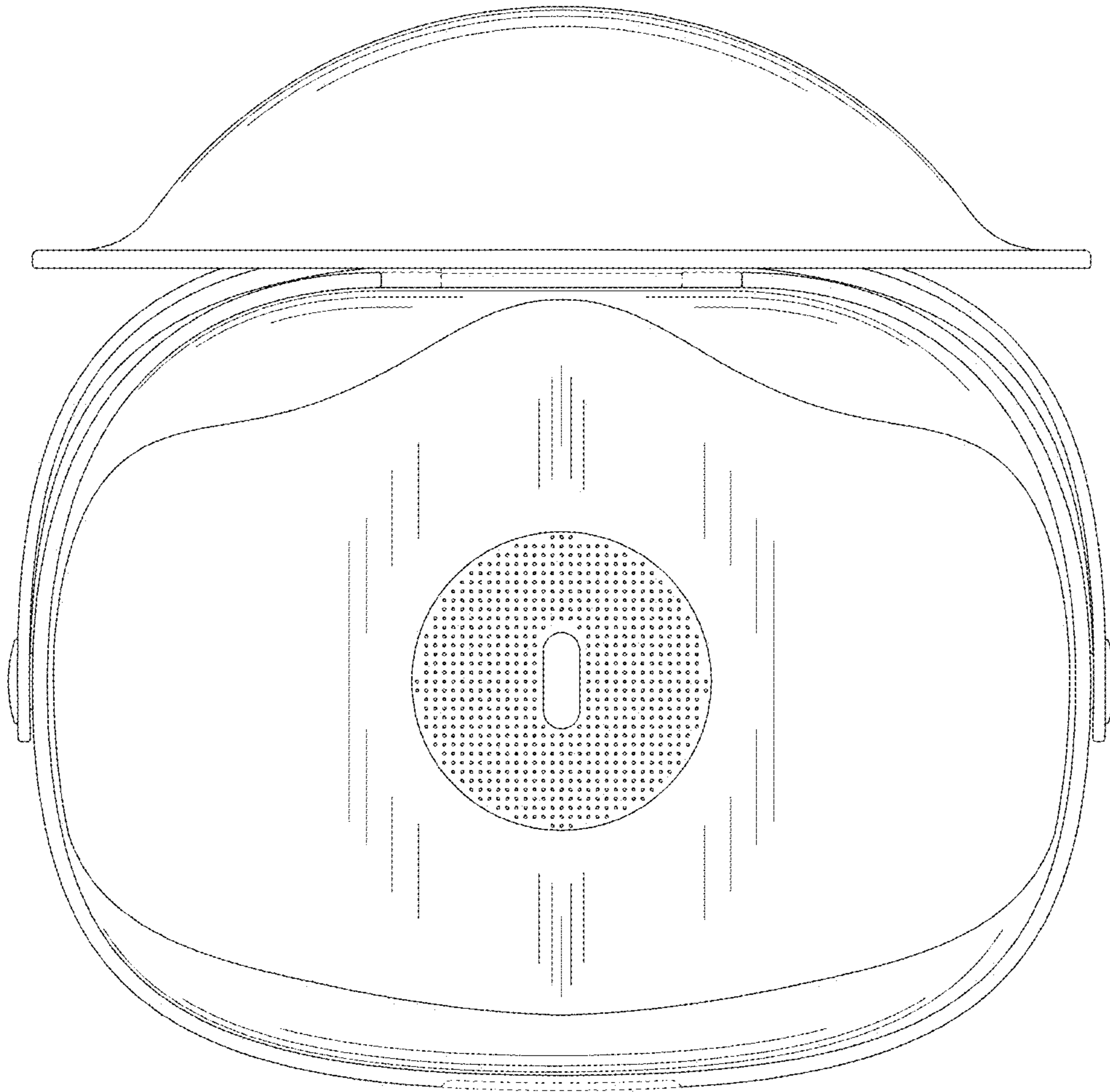


FIG. 14

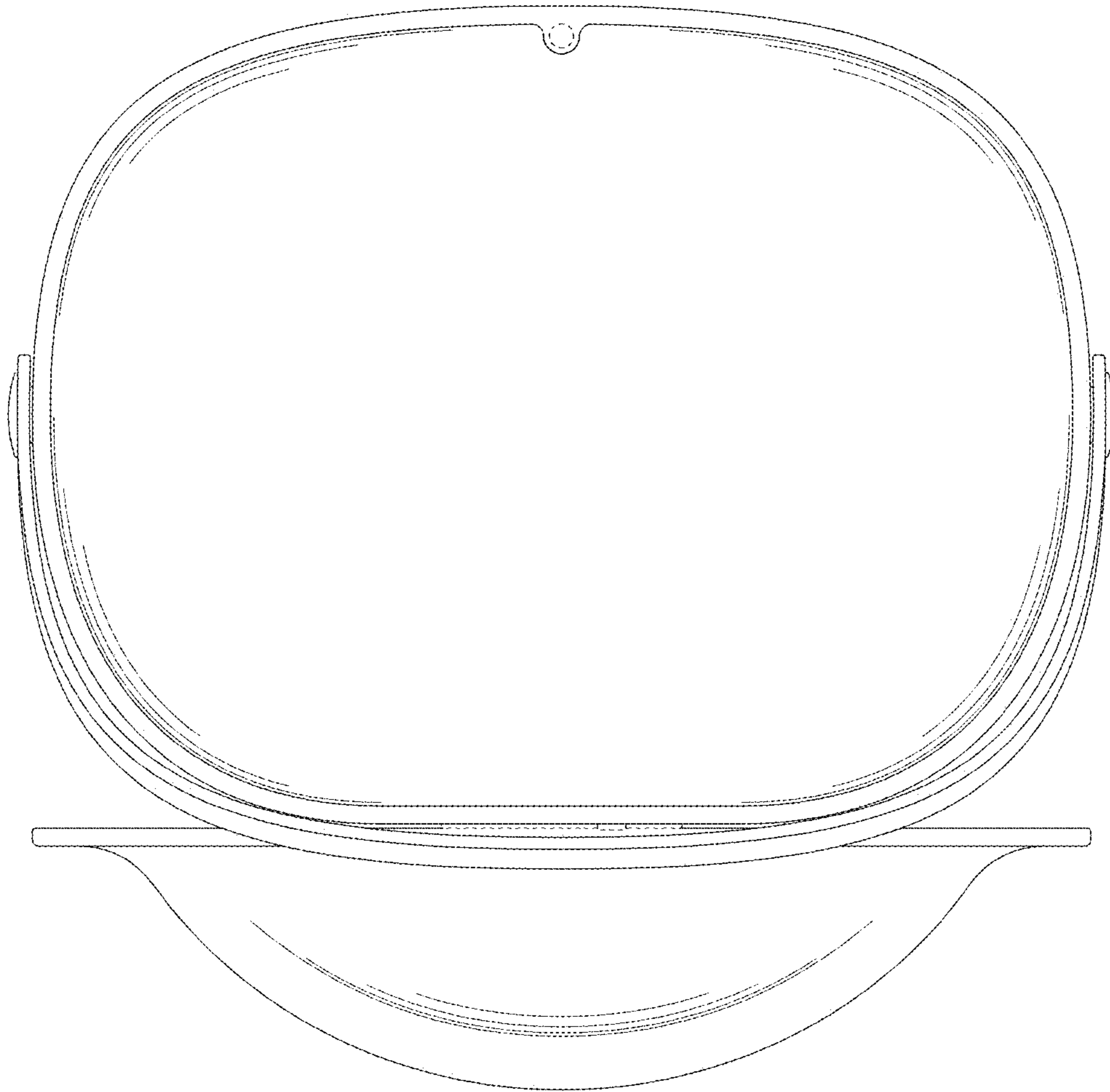


FIG. 15

