



US00D984790S

(12) **United States Design Patent** (10) **Patent No.:** **US D984,790 S**
Ito (45) **Date of Patent:** **** May 2, 2023**

- (54) **CASE FOR TABLE GAMES**
- (71) Applicant: **Tomohiro Suzuki**, Okazaki (JP)
- (72) Inventor: **Atsushi Ito**, Okazaki (JP)
- (73) Assignee: **Tomohiro Suzuki**, Okazaki (JP)
- (**) Term: **15 Years**
- (21) Appl. No.: **29/757,297**
- (22) Filed: **Nov. 5, 2020**

D392,119 S * 3/1998 Montoya D3/273
 6,196,546 B1 * 3/2001 Iglesias A63F 3/0023
 273/287
 D556,267 S * 11/2007 Nip D21/349

* cited by examiner

Primary Examiner — George D. Kirschbaum
 (74) *Attorney, Agent, or Firm* — Yokoi & Co., U.S.A.;
 Toshiyuki Yokoi

Related U.S. Application Data

- (63) Continuation of application No. 29/746,797, filed on Aug. 18, 2020.
- (51) **LOC (14) Cl.** **21-01**
- (52) **U.S. Cl.**
USPC **D21/392**
- (58) **Field of Classification Search**
USPC D21/392, 393; D9/756–760
See application file for complete search history.

References Cited

U.S. PATENT DOCUMENTS

- 4,261,576 A * 4/1981 Friedenthal A63F 3/00088
273/285
- 4,317,515 A * 3/1982 Feeley A63F 3/00895
206/499
- 4,500,091 A * 2/1985 Rovsek A63F 3/06
273/286

(57) **CLAIM**

The ornamental design for a case for table games, as shown and described.

DESCRIPTION

FIG. 1 shows a front view of a case for table games showing my new design;
 FIG. 2 shows a rear view thereof;
 FIG. 3 shows a right side view thereof;
 FIG. 4 shows a left side view thereof;
 FIG. 5 shows a top view thereof;
 FIG. 6 shows a bottom view thereof;
 FIG. 7 shows a top, front and right side perspective view thereof; and,
 FIG. 8 shows a bottom, rear and left side perspective view thereof.

The broken line showing is included for the purpose of illustrating portions of the “article” and forms no part of the claimed design.

1 Claim, 8 Drawing Sheets

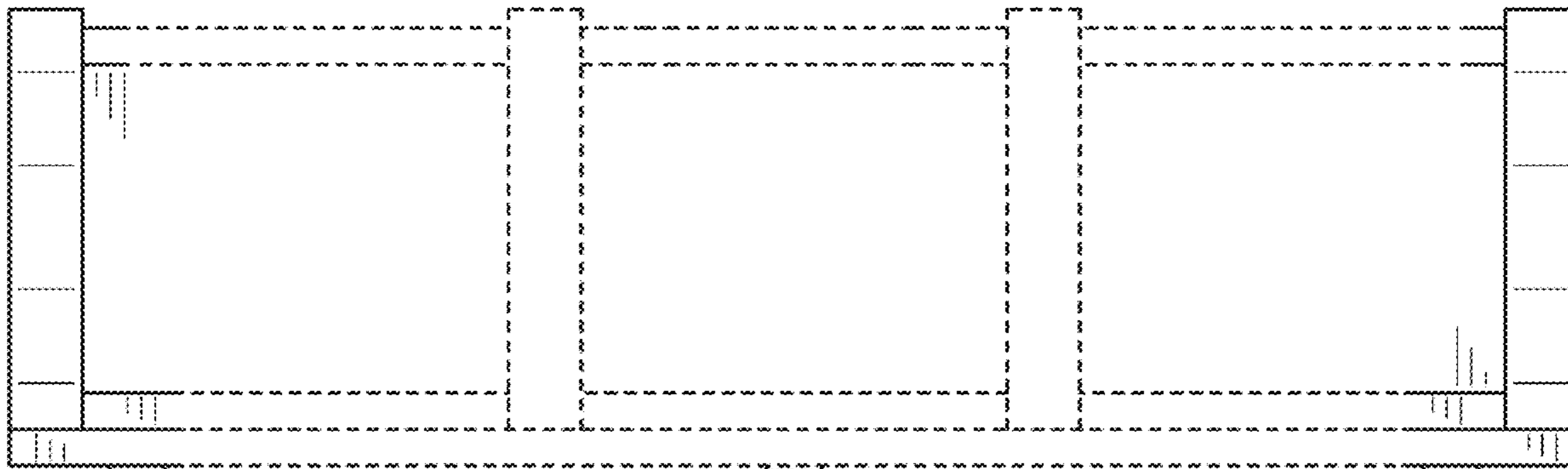


FIG. 1

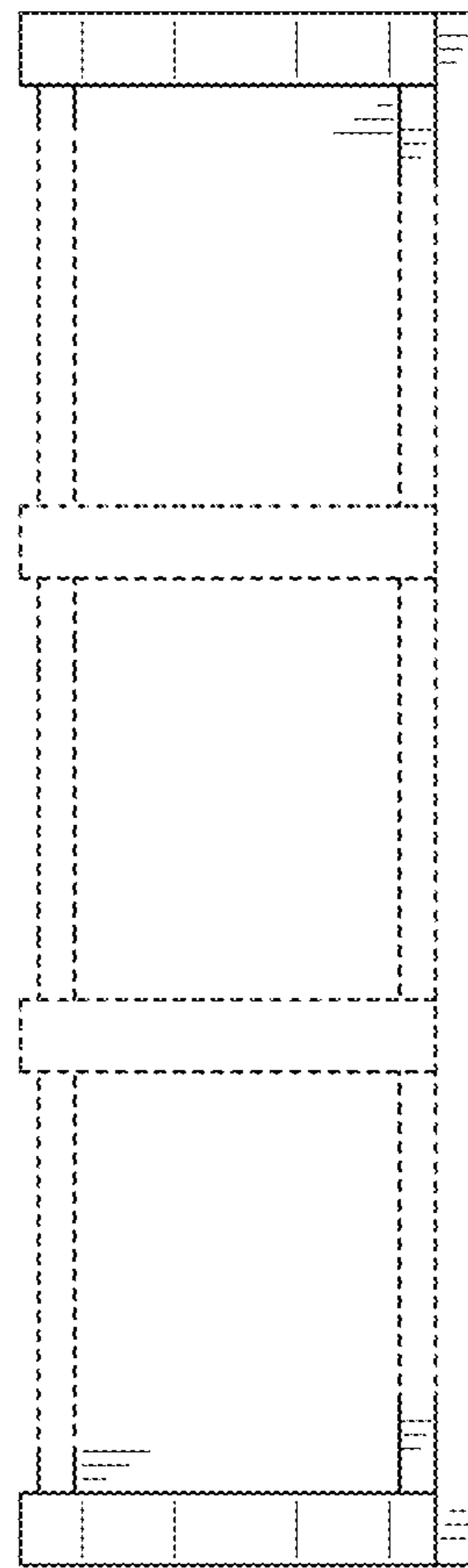


FIG. 2

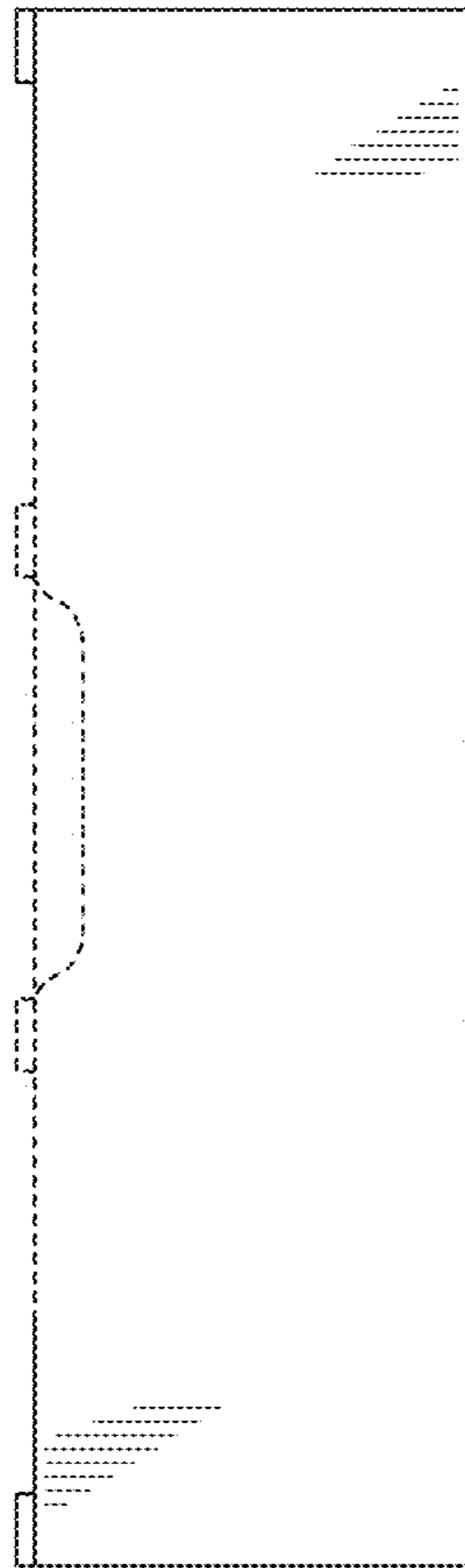


FIG. 3

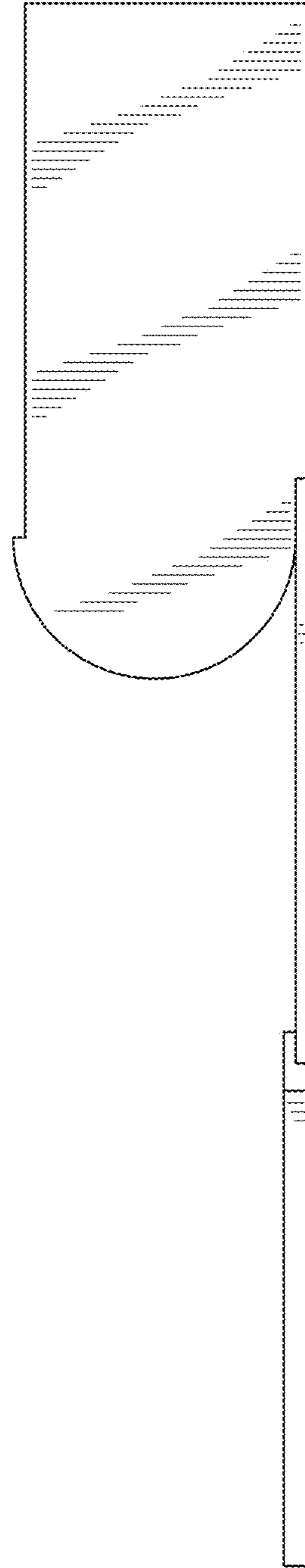


FIG. 4

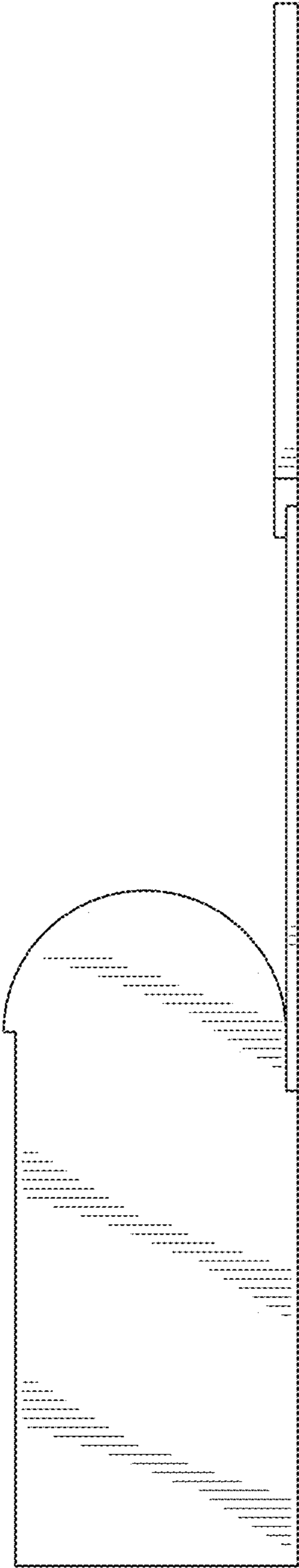


FIG. 5

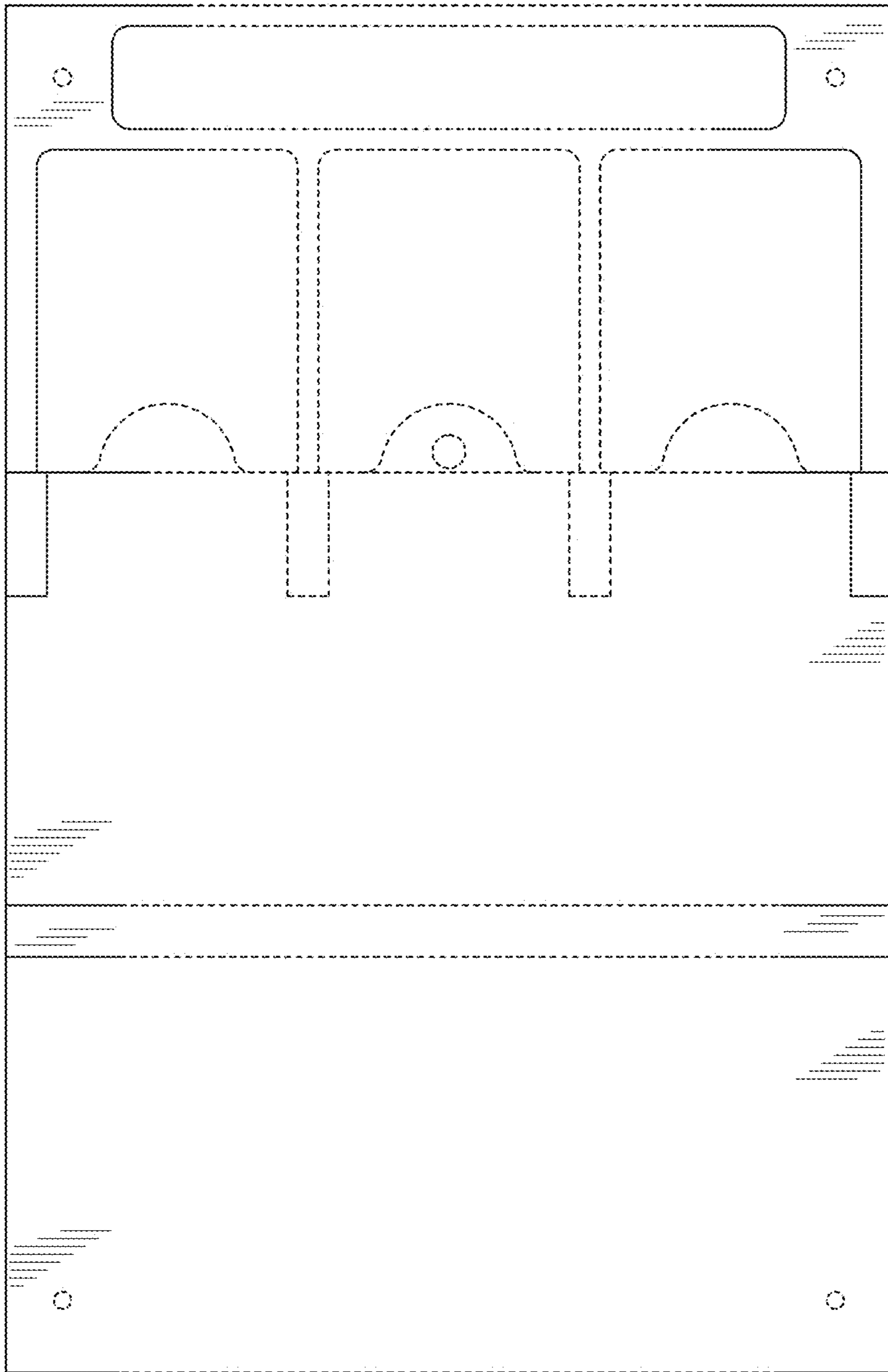


FIG. 6

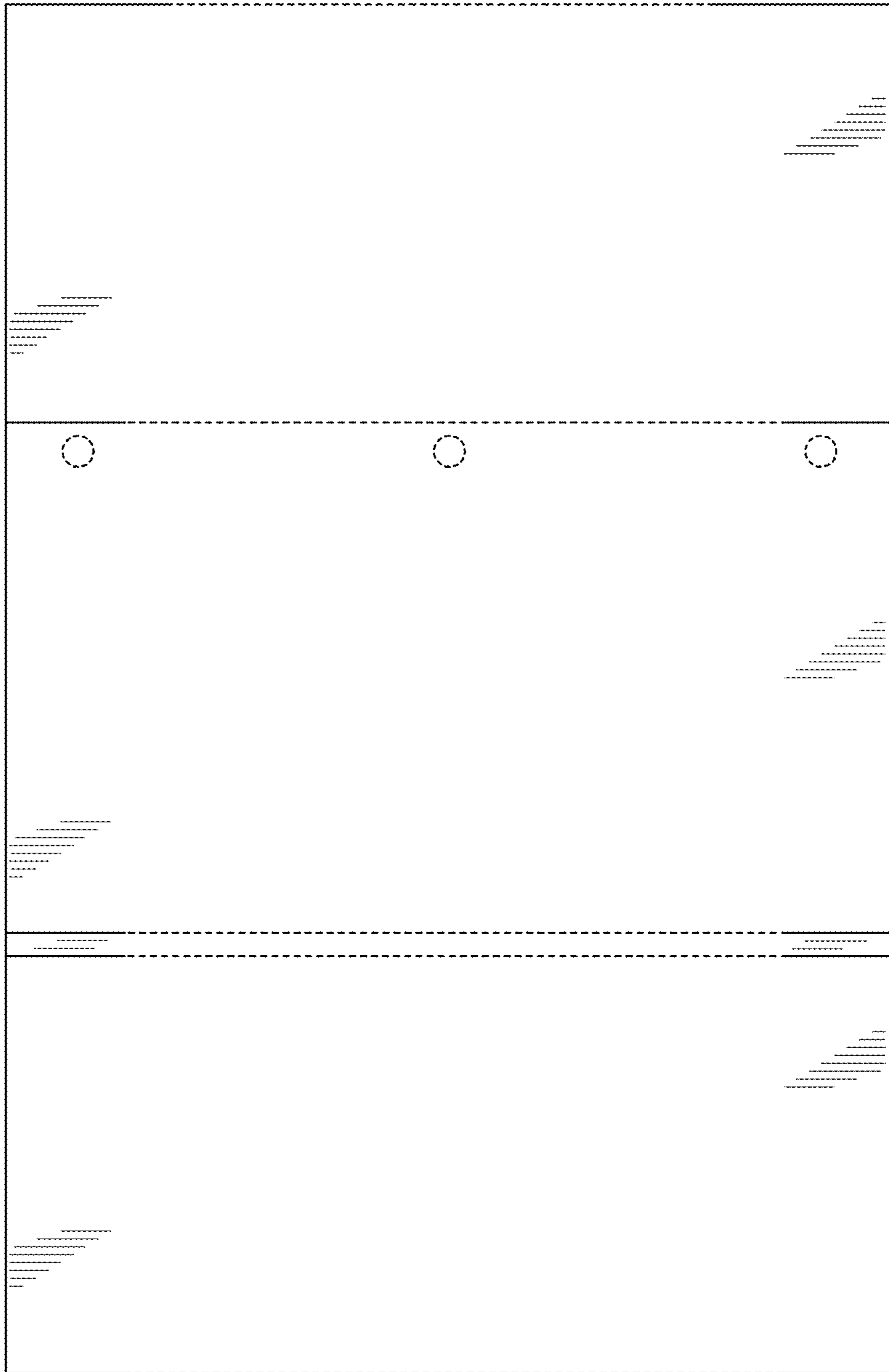


FIG. 7

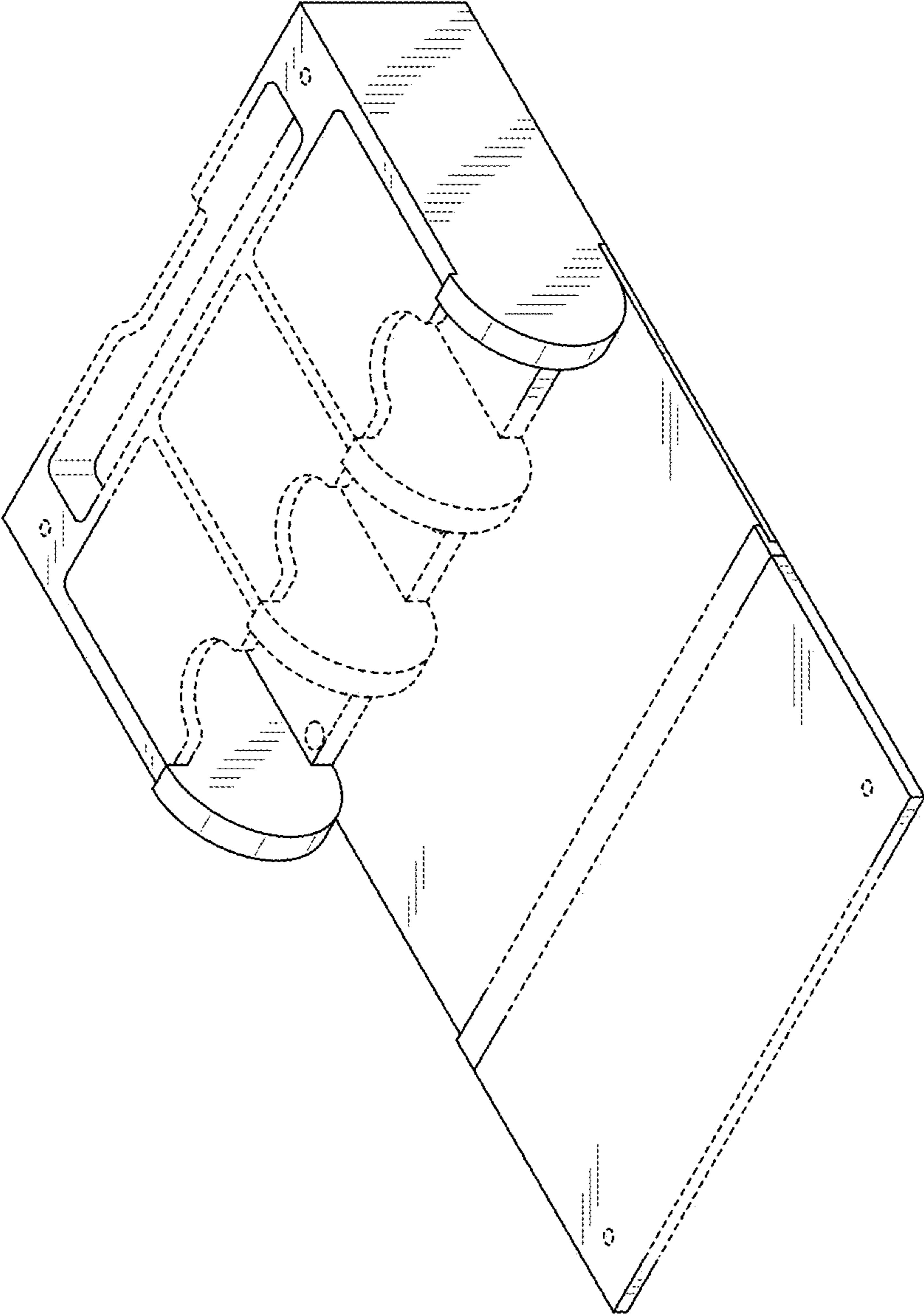


FIG. 8

