



US00D984780S

(12) **United States Design Patent** (10) **Patent No.:** **US D984,780 S**
Garneau (45) **Date of Patent:** **** May 2, 2023**

(54) **SPORTS JERSEY**

(71) Applicant: **LOUIS GARNEAU SPORTS INC,**
Saint-Augustin-de-Desmaures (CA)

(72) Inventor: **Louis Garneau,**
Saint-Augustin-de-Desmaures (CA)

(73) Assignee: **LOUIS GARNEAU SPORTS INC.,**
St-Augustin-de-Desmaures (CA)

(**) Term: **15 Years**

(21) Appl. No.: **29/778,602**

(22) Filed: **Apr. 14, 2021**

(51) **LOC (14) Cl.** **02-02**

(52) **U.S. Cl.**
USPC **D2/717**

(58) **Field of Classification Search**
USPC D2/717, 731, 840, 841, 844, 853
CPC A41D 1/04; A41D 13/0015; A41D 27/20
See application file for complete search history.

(56) **References Cited**

U.S. PATENT DOCUMENTS

D260,445 S *	9/1981	Schreiber	D2/700
D623,830 S *	9/2010	Marois	D2/857
8,312,568 B2 *	11/2012	Marois	A41D 27/20 2/253
D674,578 S *	1/2013	Glass	A41D 1/04 D2/731
D683,525 S *	6/2013	Iamartino	A41D 27/20 D2/840
D760,479 S *	7/2016	Adrovic	D2/731
D796,789 S *	9/2017	Martz	D2/749
D797,407 S *	9/2017	Martz	A41D 27/20 D2/749
2007/0271671 A1 *	11/2007	Okajima	A41D 1/04 2/69
2010/0180361 A1 *	7/2010	Marois	A41D 27/20 2/253
2012/0030864 A1 *	2/2012	Marois	A41D 27/20 2/247

(Continued)

OTHER PUBLICATIONS

Neleus Women's Racerback Yoga Workout Tank Top, announced Mar. 11, 2020 [online], [site visited Jul. 26, 2022]. Available from internet, URL: <<https://www.amazon.com/Neleus-Running-Racerback-Workout-Pockets/dp/B08QYLDWNG/?th=1>> (Year: 2020).*

(Continued)

Primary Examiner — Kevin K Rudzinski

Assistant Examiner — Amber J Rabie

(74) *Attorney, Agent, or Firm* — Cantor Colburn LLP

(57) **CLAIM**

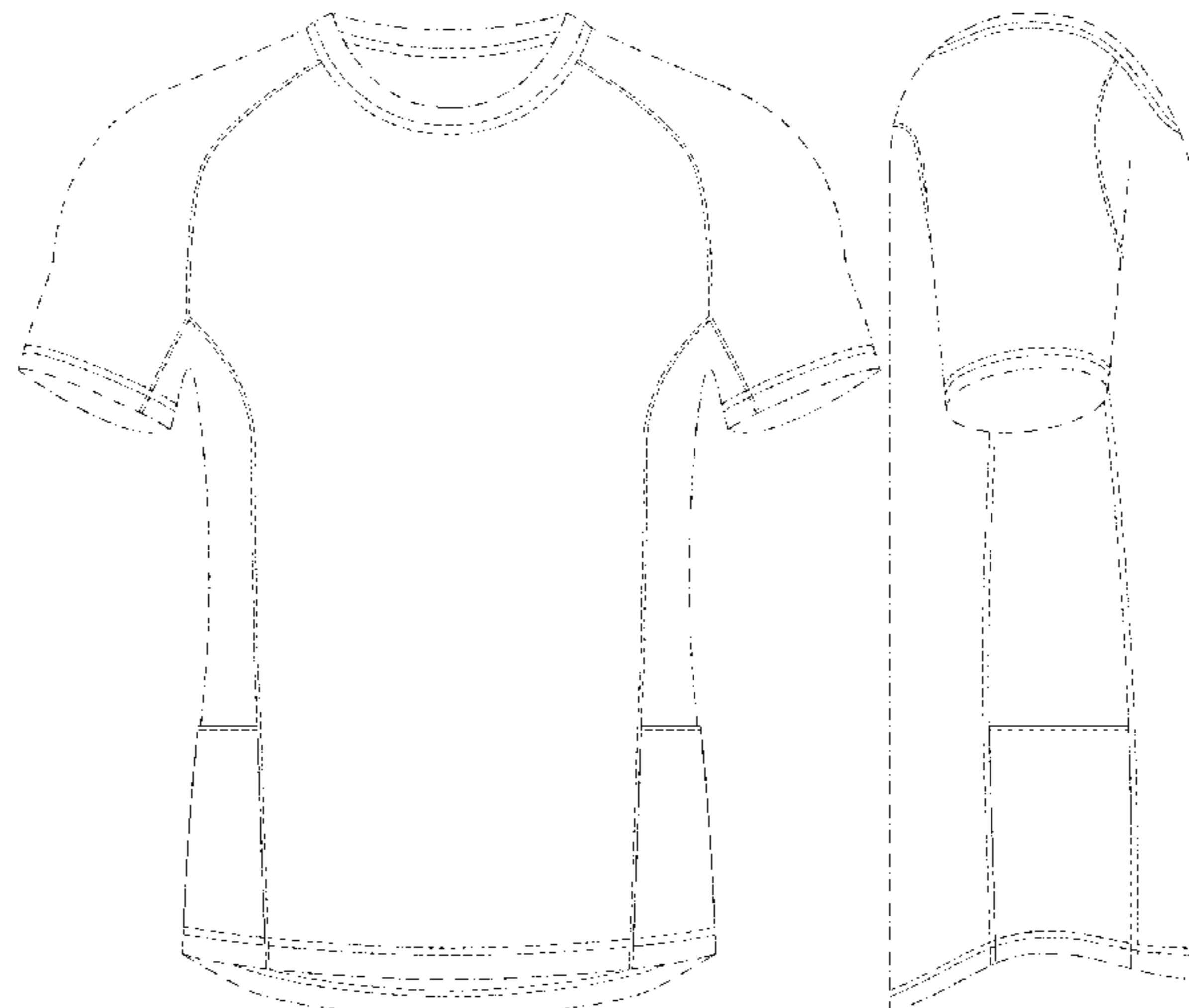
I claim the ornamental design for a sports jersey, as shown and described.

DESCRIPTION

FIG. 1 is a front view of a sports jersey in accordance with a first embodiment of my new design;
FIG. 2 is a rear view thereof;
FIG. 3 is a first side view thereof;
FIG. 4 is a second side view thereof;
FIG. 5 is a top view thereof;
FIG. 6 is a bottom view thereof;
FIG. 7 is a front view of a sports jersey in accordance with a second embodiment of my new design;
FIG. 8 is a rear view thereof;
FIG. 9 is a first side view thereof;
FIG. 10 is a second side view thereof;
FIG. 11 is a top view thereof; and,
FIG. 12 is a bottom view thereof.

The dash-dot broken line portions are included to show unclaimed portions of the article only and form no part of the claimed design. The even dash broken lines represent stitching that forms no part of the claimed design.

1 Claim, 8 Drawing Sheets



(56)

References Cited

U.S. PATENT DOCUMENTS

2019/0075853 A1* 3/2019 Altmann D04B 1/104

OTHER PUBLICATIONS

Jack Smith Women Workout Tops, announced Mar. 20, 2021 [online], [site visited Jul. 26, 2022]. Available from internet, URL: <<https://www.amazon.com/Workout-Sports-Shirts-Athletic-Running/dp/B095SVKVXX/>> (Year: 2021).*

* cited by examiner

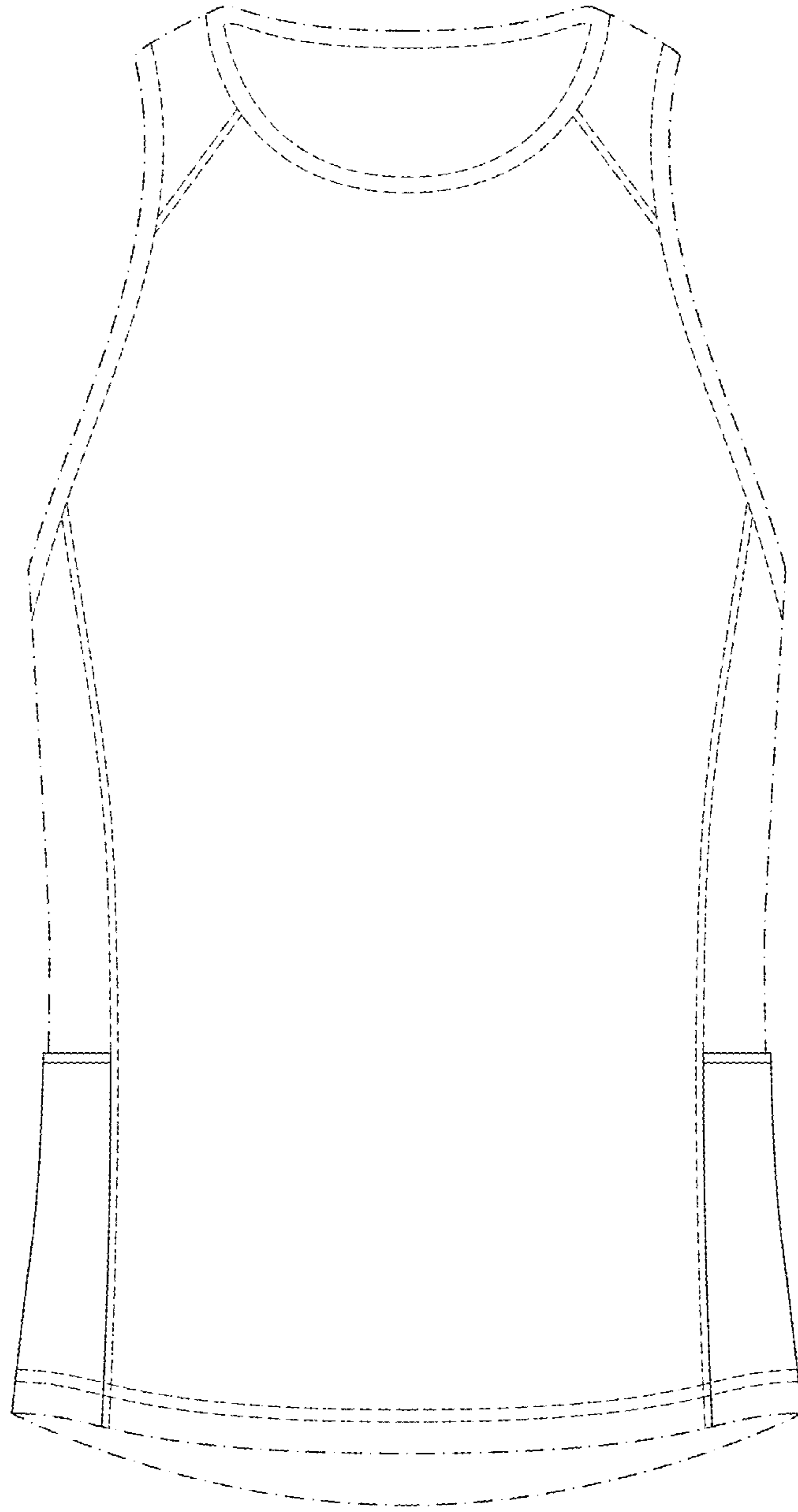


FIG. 1

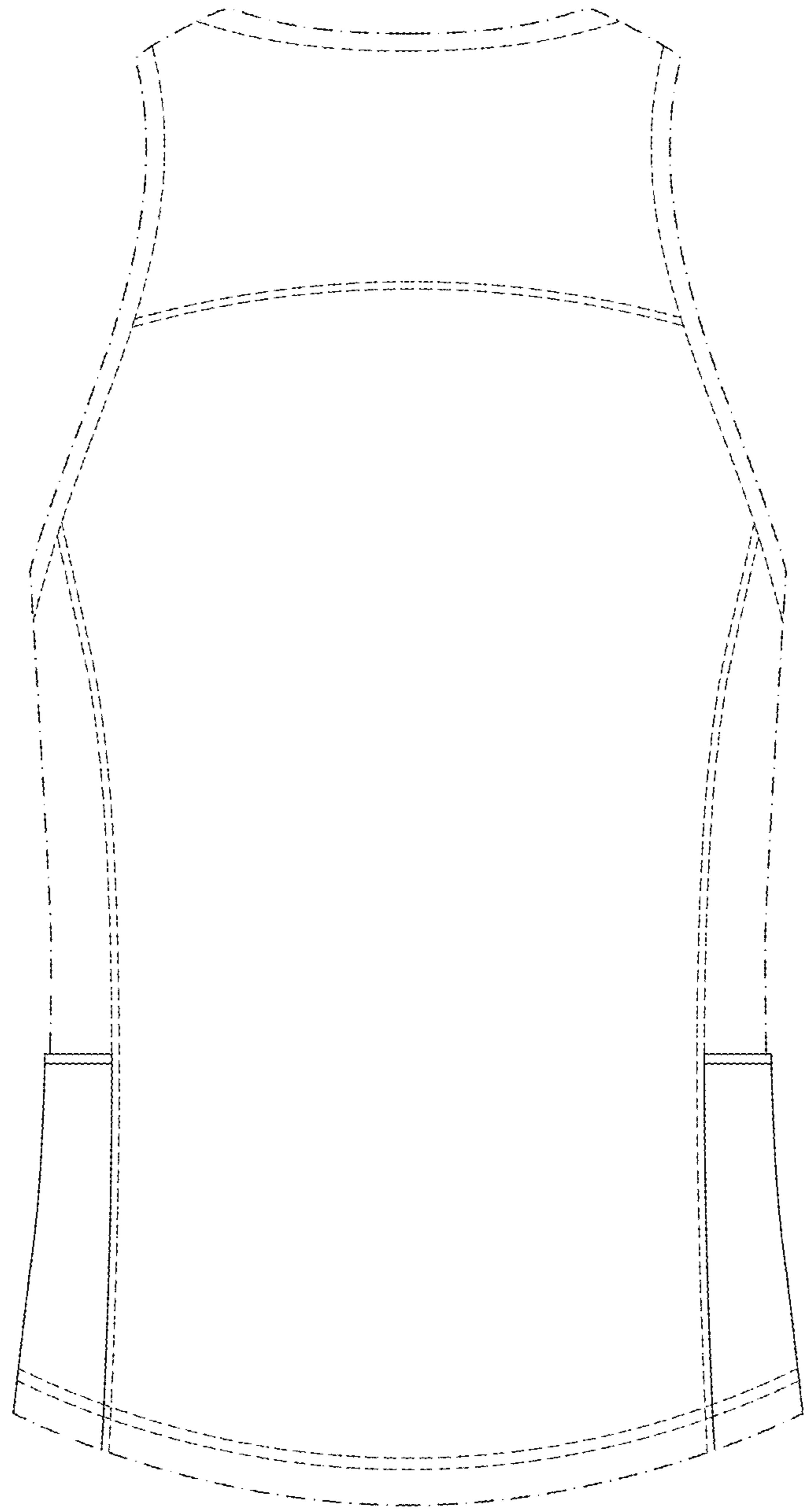


FIG. 2

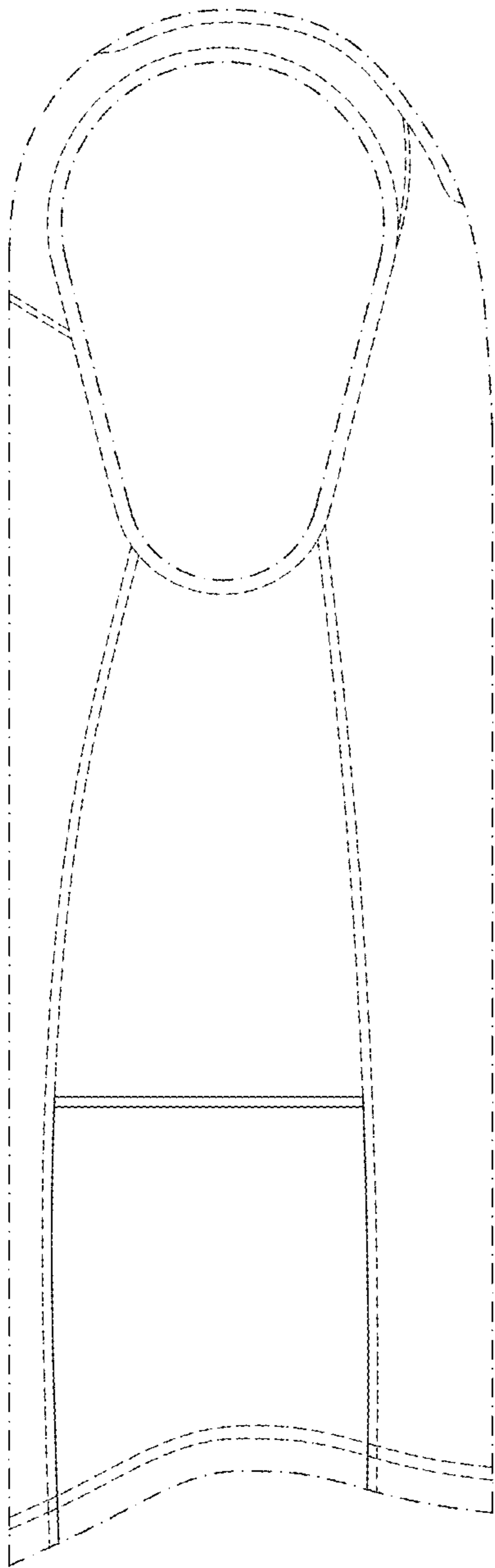


Fig. 3

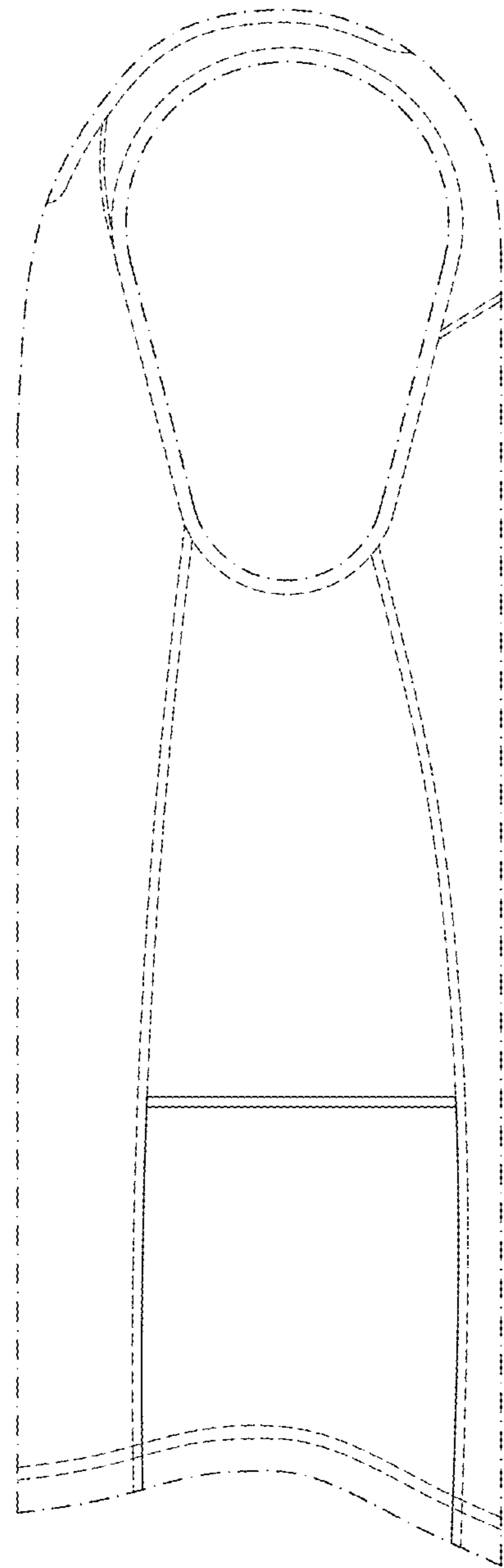


Fig. 4

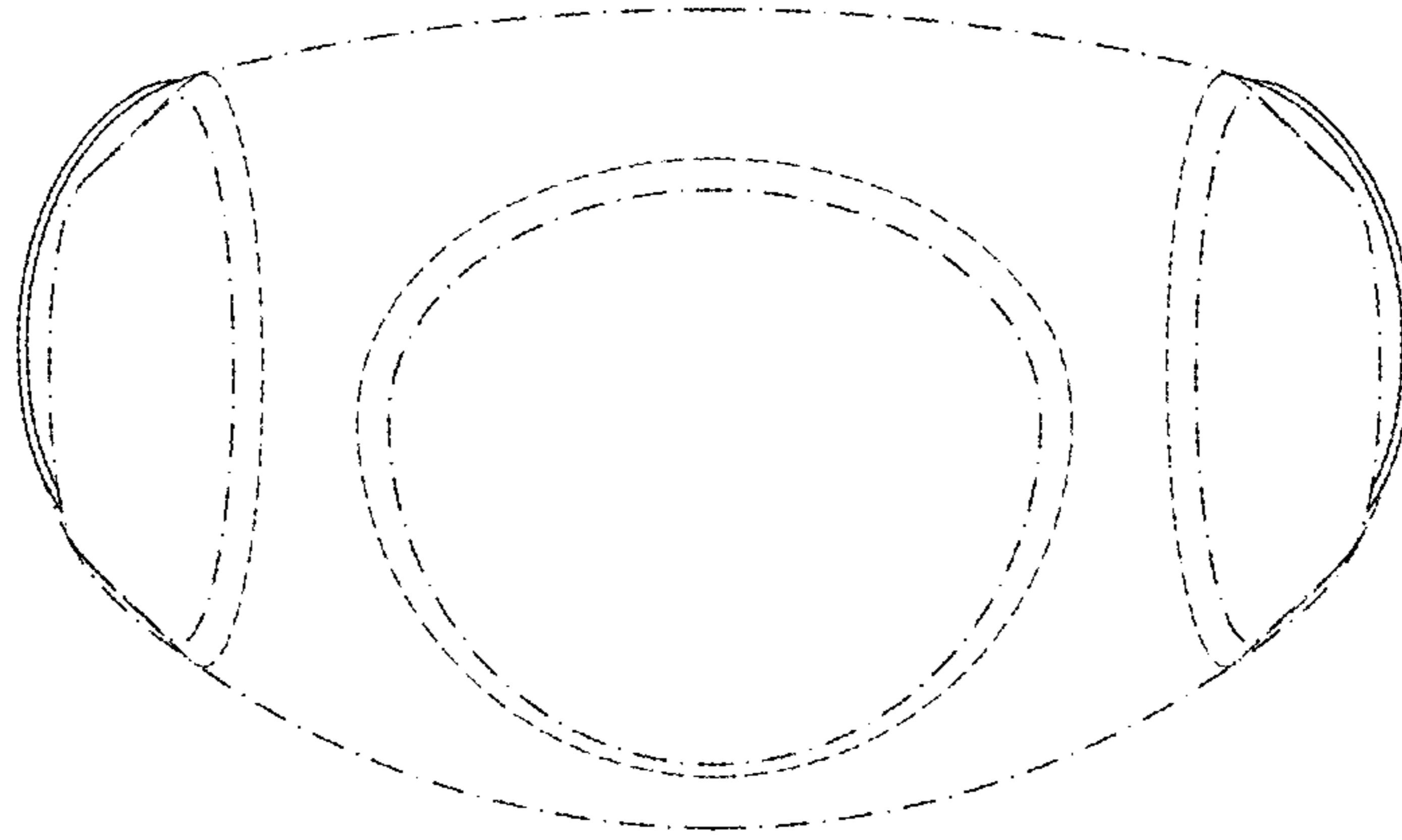


FIG. 5

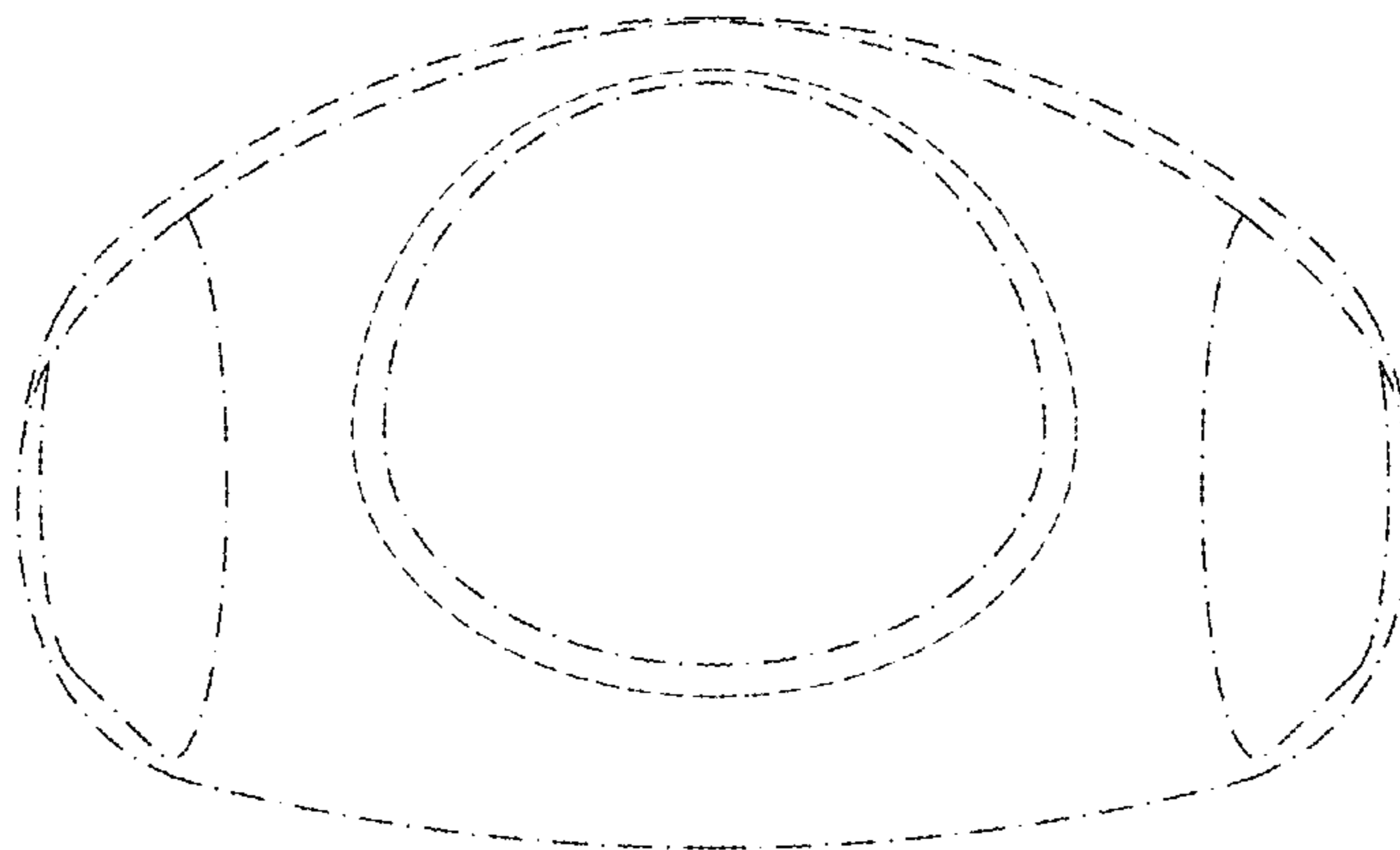


FIG. 6

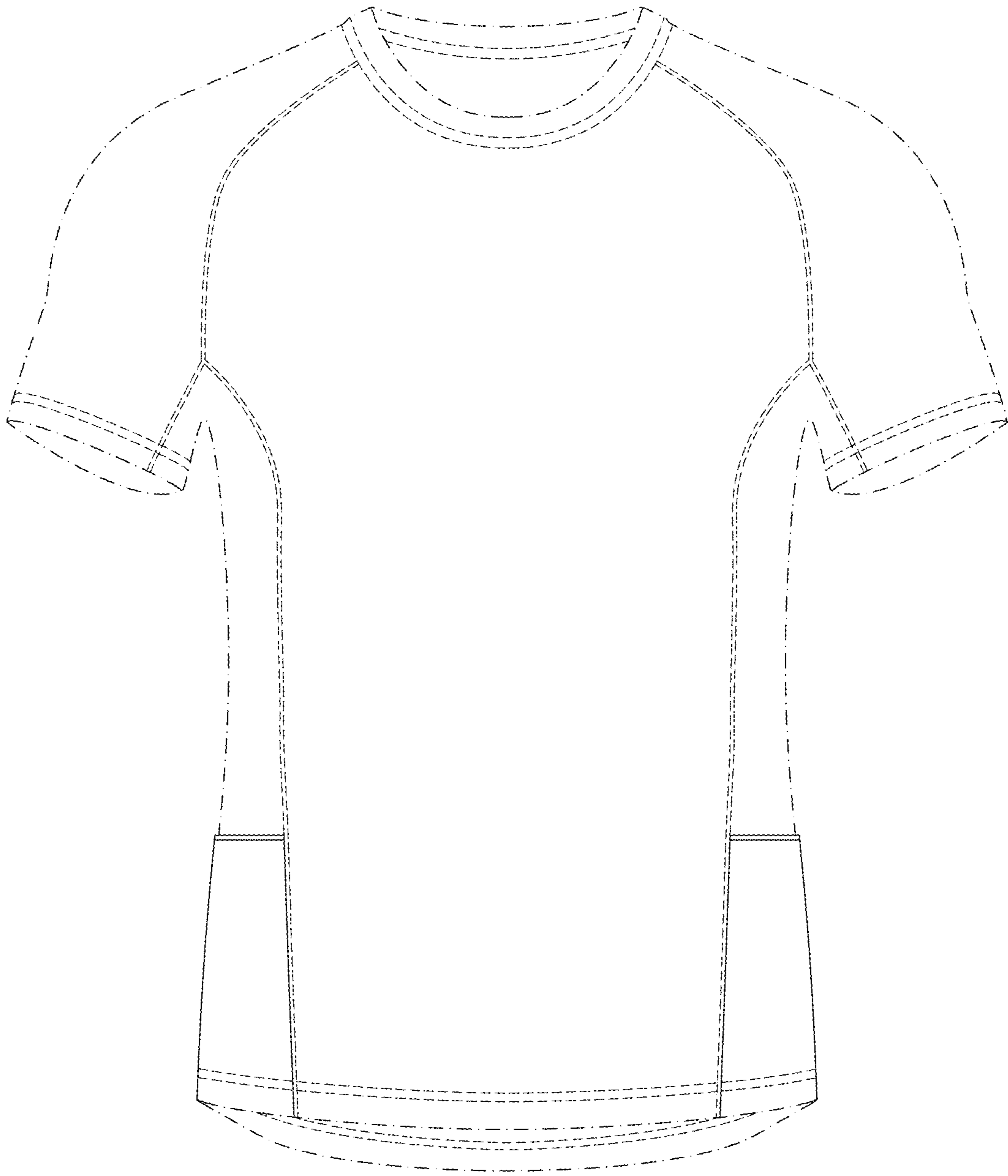


FIG. 7

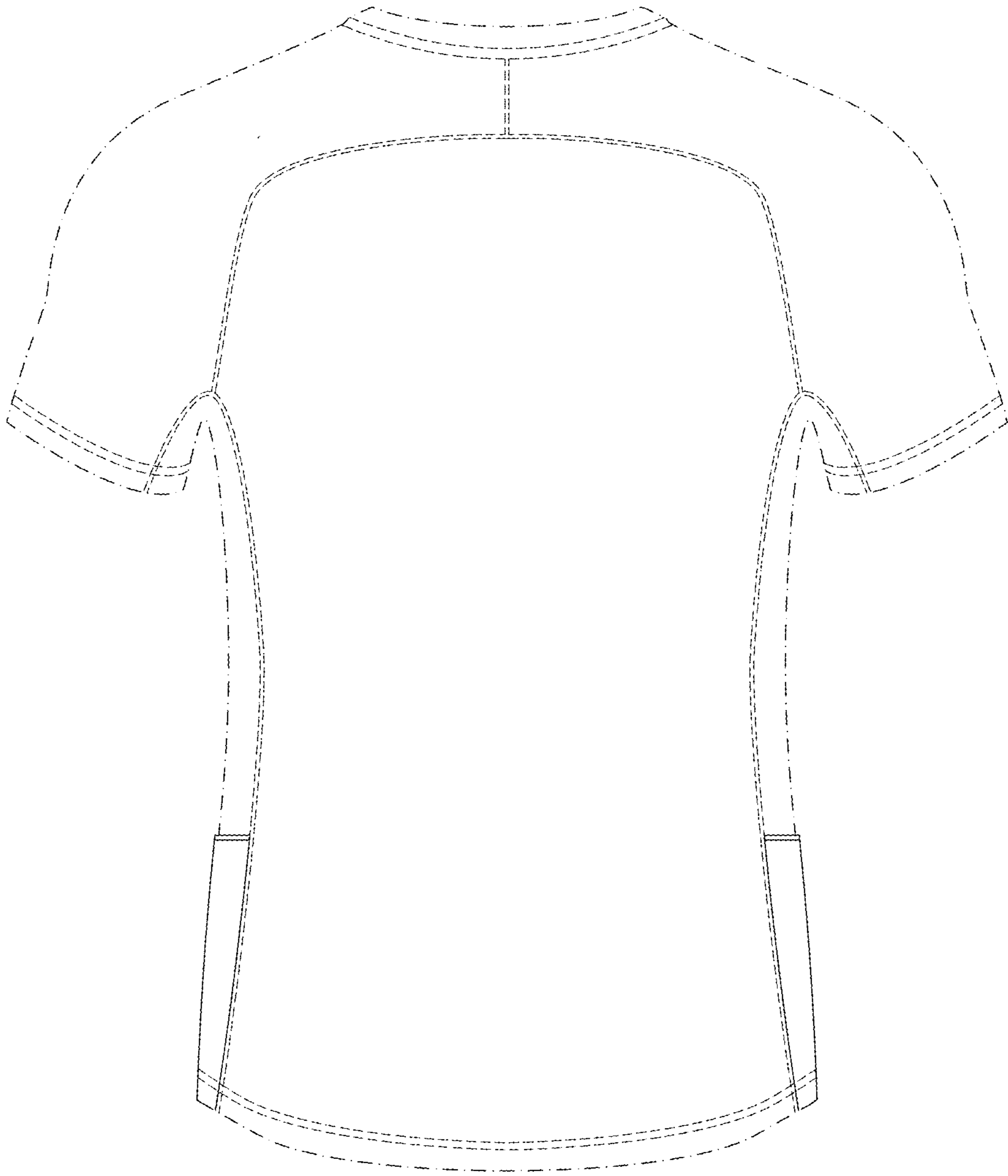


FIG. 1 □

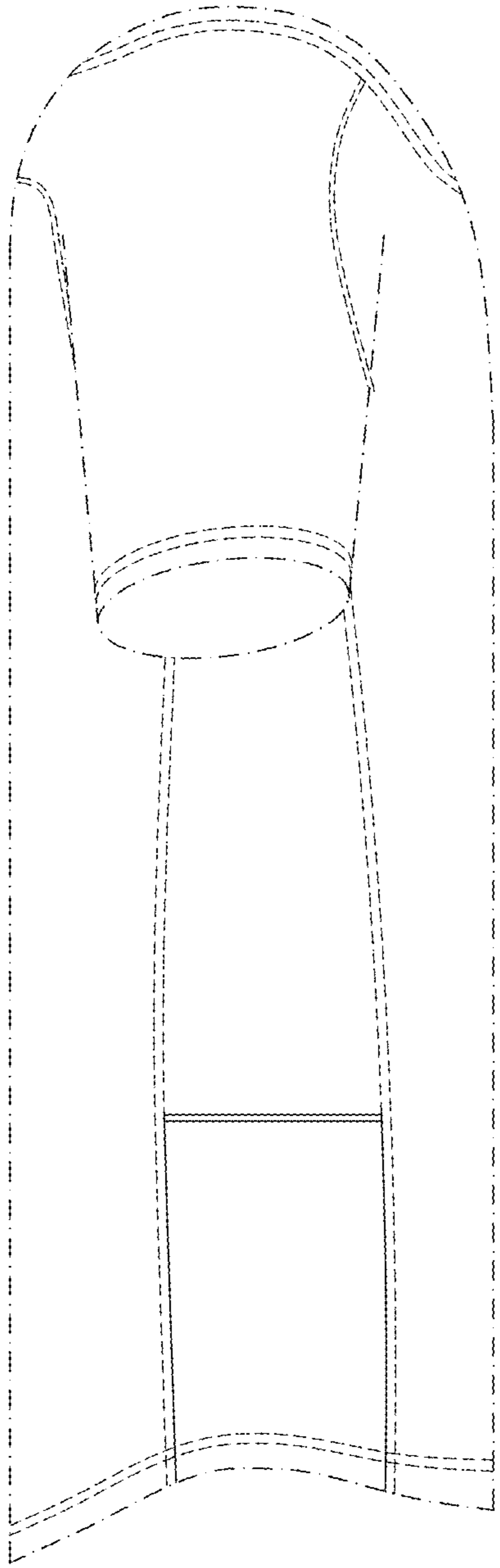


Fig. 9

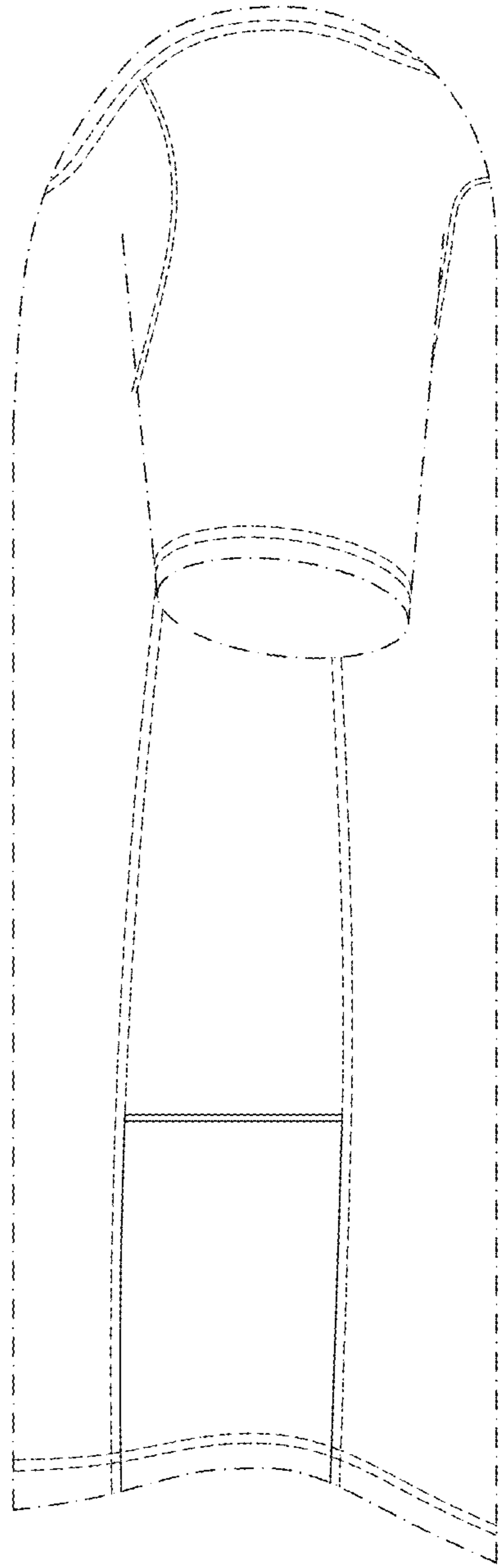


Fig. 10

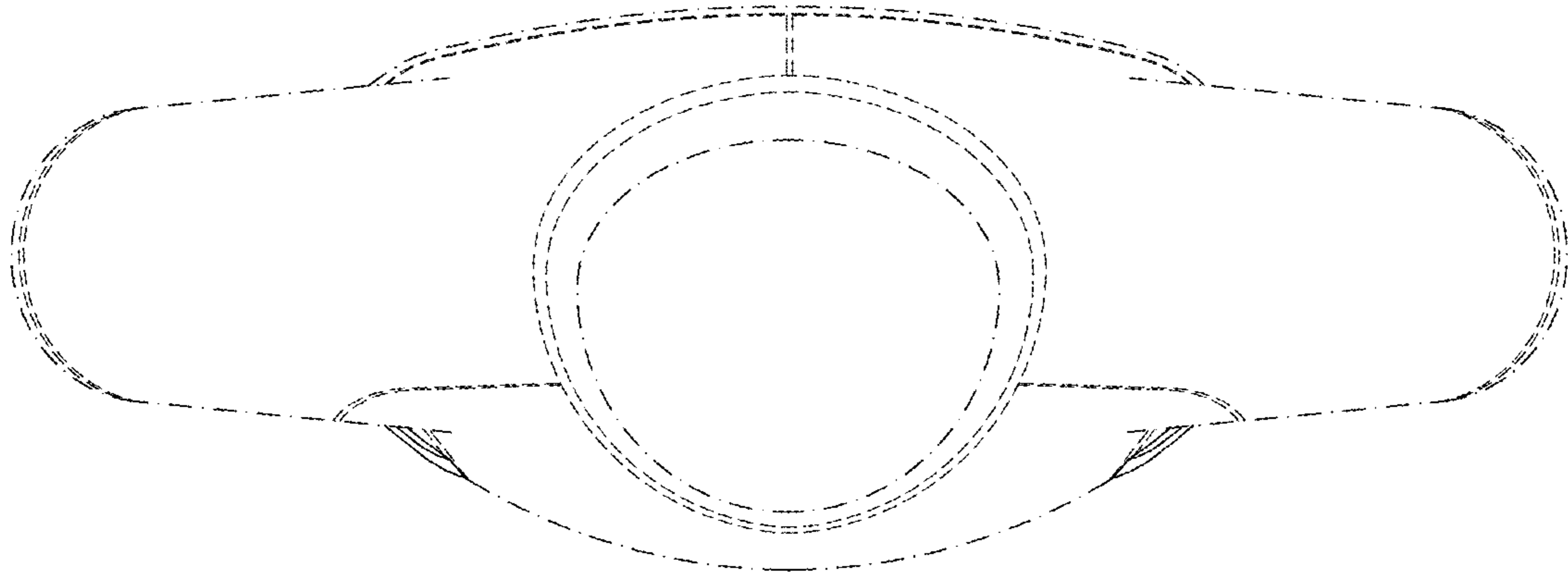


FIG. 11

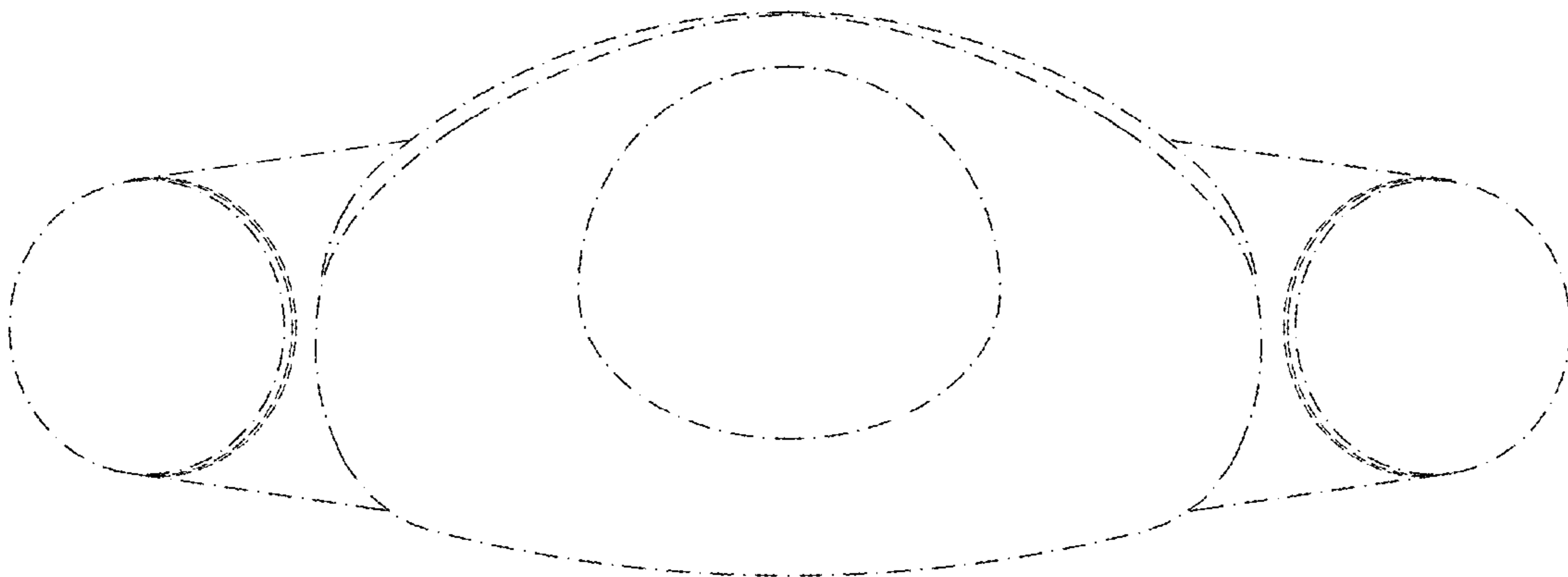


FIG. 12