



US00D984778S

(12) **United States Design Patent**
Welford

(10) **Patent No.:** **US D984,778 S**

(45) **Date of Patent:** **** May 2, 2023**

(54) **BUN WITH INSERT**

(71) Applicant: **Jay Welford**, West Bloomfield, MI (US)

(72) Inventor: **Jay Welford**, West Bloomfield, MI (US)

(**) Term: **15 Years**

(21) Appl. No.: **29/766,535**

(22) Filed: **Jan. 15, 2021**

(51) **LOC (14) Cl.** **01-01**

(52) **U.S. Cl.**
USPC **D1/129; D1/122; D1/124**

(58) **Field of Classification Search**
USPC D1/100-130, 199; 426/92, 94, 95, 99, 426/101, 138, 139, 143, 275, 132, 279, 426/282-283, 391, 514; D9/544, 682, D9/694, 414, 702; 249/92; D23/267; D7/504, 509, 510, 523, 524, 555, 566, D7/568, 584-587, 602, 672, 300.1, 601; D21/386; D25/119, 121; D12/223, 162; D8/356; D19/91
CPC .. A21D 2/16; A21D 2/36; A23L 1/164; A23L 1/217

See application file for complete search history.

(56) **References Cited**

U.S. PATENT DOCUMENTS

D66,986 S *	4/1925	Ritter	D3/270
2,179,672 A *	11/1939	Roys	A21B 1/48
				426/503
2,255,089 A	9/1941	Simonds		
2,608,485 A *	8/1952	Ryder	A21D 13/32
				426/549
D205,126 S	6/1966	Haessler		
D234,275 S	2/1975	Kosecoff		
D248,061 S	6/1978	Bangert		
D251,816 S *	5/1979	Majeski	D1/122

4,190,229 A	2/1980	Bradshaw		
4,214,517 A *	7/1980	Caldwell	A21B 5/02
				426/138
D295,455 S	5/1988	Han		
D400,708 S *	11/1998	Srinaul	D3/903
D450,420 S *	11/2001	Brost	D1/129
D480,121 S *	9/2003	Lee	D21/694
D631,226 S *	1/2011	Bearson	D1/129
D689,819 S *	9/2013	Olsson	D13/110
D695,857 S *	12/2013	Sterios	D21/686
D719,715 S *	12/2014	Kesselman	D99/37
D727,591 S *	4/2015	Elliott	D1/129

(Continued)

Primary Examiner — Katie Jane Stofko

(74) *Attorney, Agent, or Firm* — Quinn IP Law

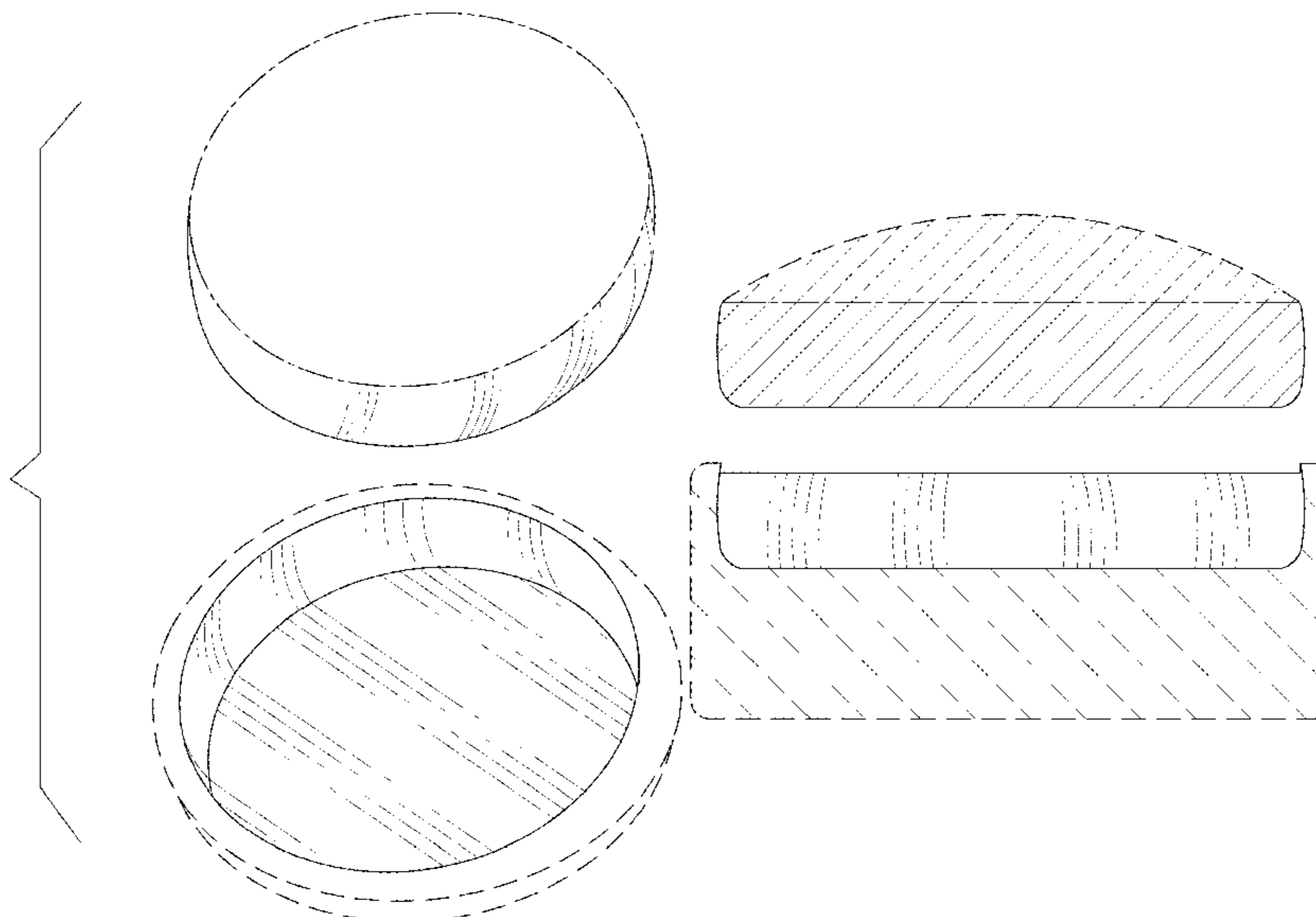
(57) **CLAIM**

The ornamental design for a bun with insert, as shown and described.

DESCRIPTION

FIG. 1 is a perspective view of a bun with insert;
 FIG. 2 is an exploded, perspective view of the bun with insert of FIG. 1;
 FIG. 3 is a top view of the bun with insert of FIG. 1;
 FIG. 4 is a bottom view of the bun with insert of FIG. 1;
 FIG. 5 is a side view of the bun with insert of FIG. 1, with the opposite side view, the front view, and the rear view being identical images thereof;
 FIG. 6 is a cross-sectional, side view of the bun with insert of FIG. 1 taken along line A-A of FIG. 3;
 FIG. 7 is an exploded, side view of the bun with insert of FIG. 2; and,
 FIG. 8 is an exploded, cross-sectional, side view of the bun with insert of FIG. 1 taken along line A-A of FIG. 3.
 Evenly spaced broken lines of FIGS. 1-8 illustrate portions of the bun with insert that form no part of the claimed design. The dash-dot-dash broken lines in FIGS. 1-3 and 6-8 illustrate the boundary of the claimed design which forms no part thereof.

1 Claim, 4 Drawing Sheets



(56)

References Cited

U.S. PATENT DOCUMENTS

D736,932	S	*	8/2015	Nakagawa	D24/169
D755,468	S	*	5/2016	Elliott	D1/122
D893,828	S		8/2020	Kahvecioglu	
2007/0235627	A1		10/2007	Leach et al.	
2010/0055258	A1	*	3/2010	Bernard	A21D 13/32 426/138
2012/0201927	A1		8/2012	Meikle	
2015/0250197	A1	*	9/2015	Konchakovskiy	A23G 1/46 426/103

* cited by examiner

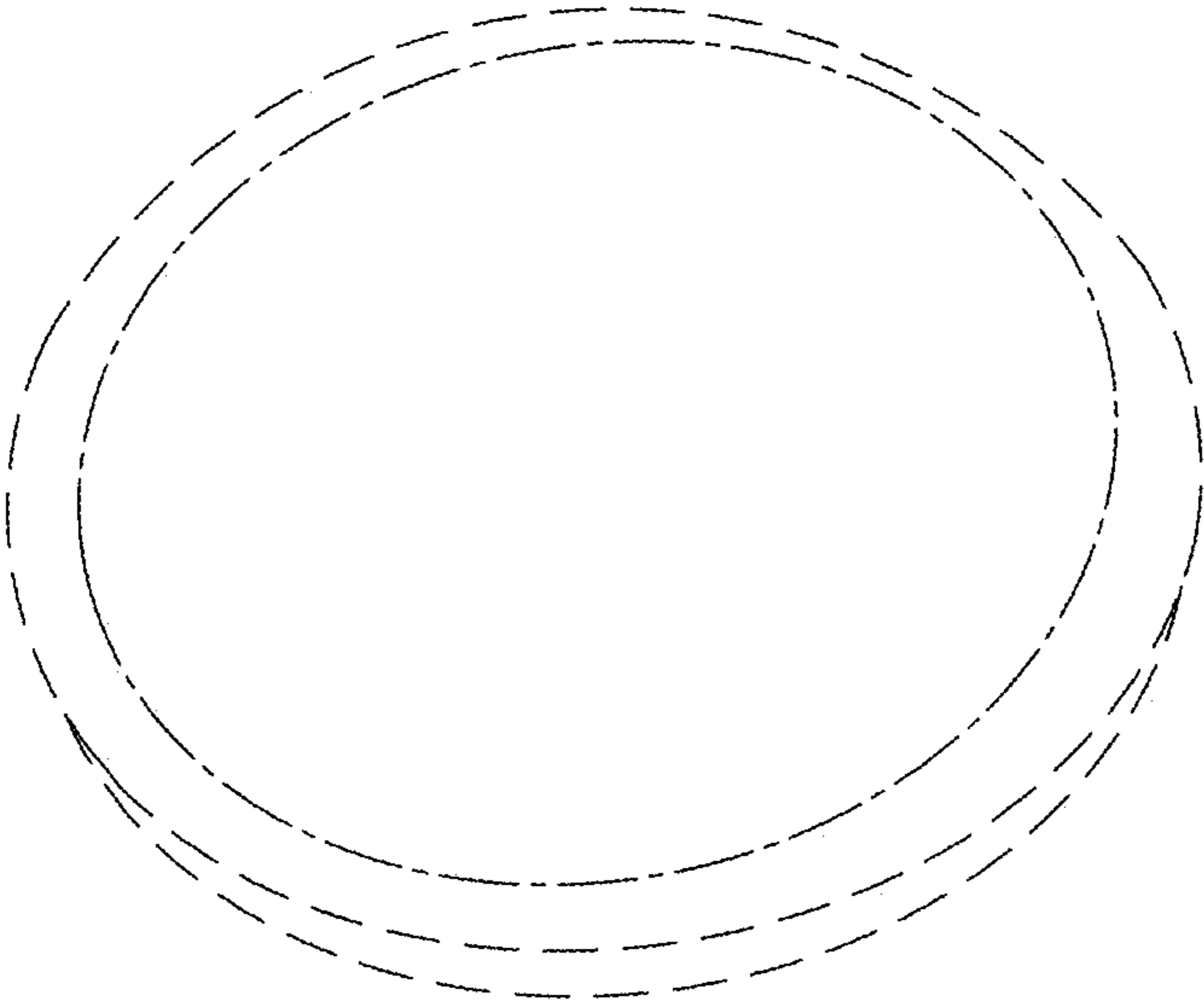


FIG. 1

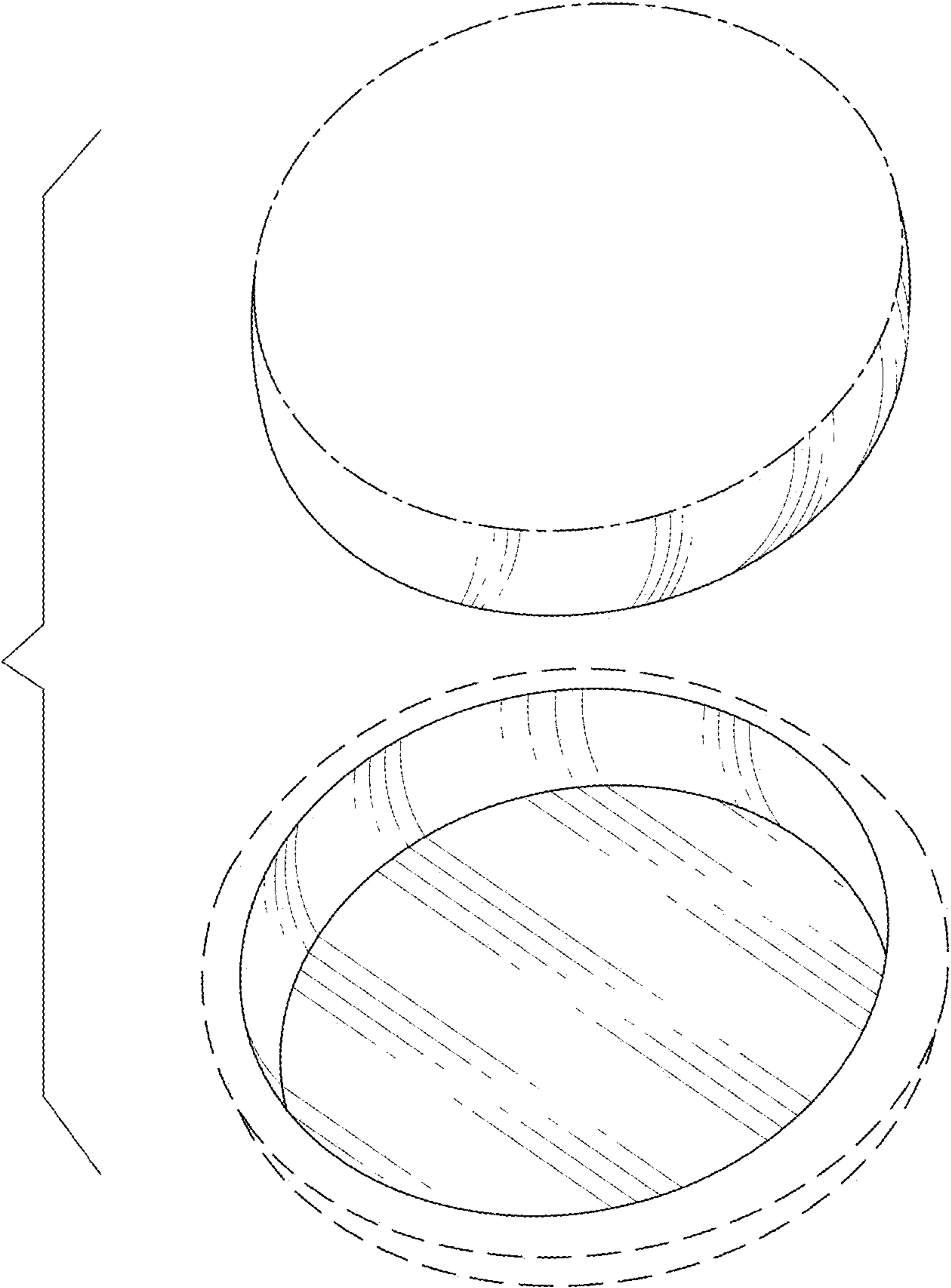


FIG. 2

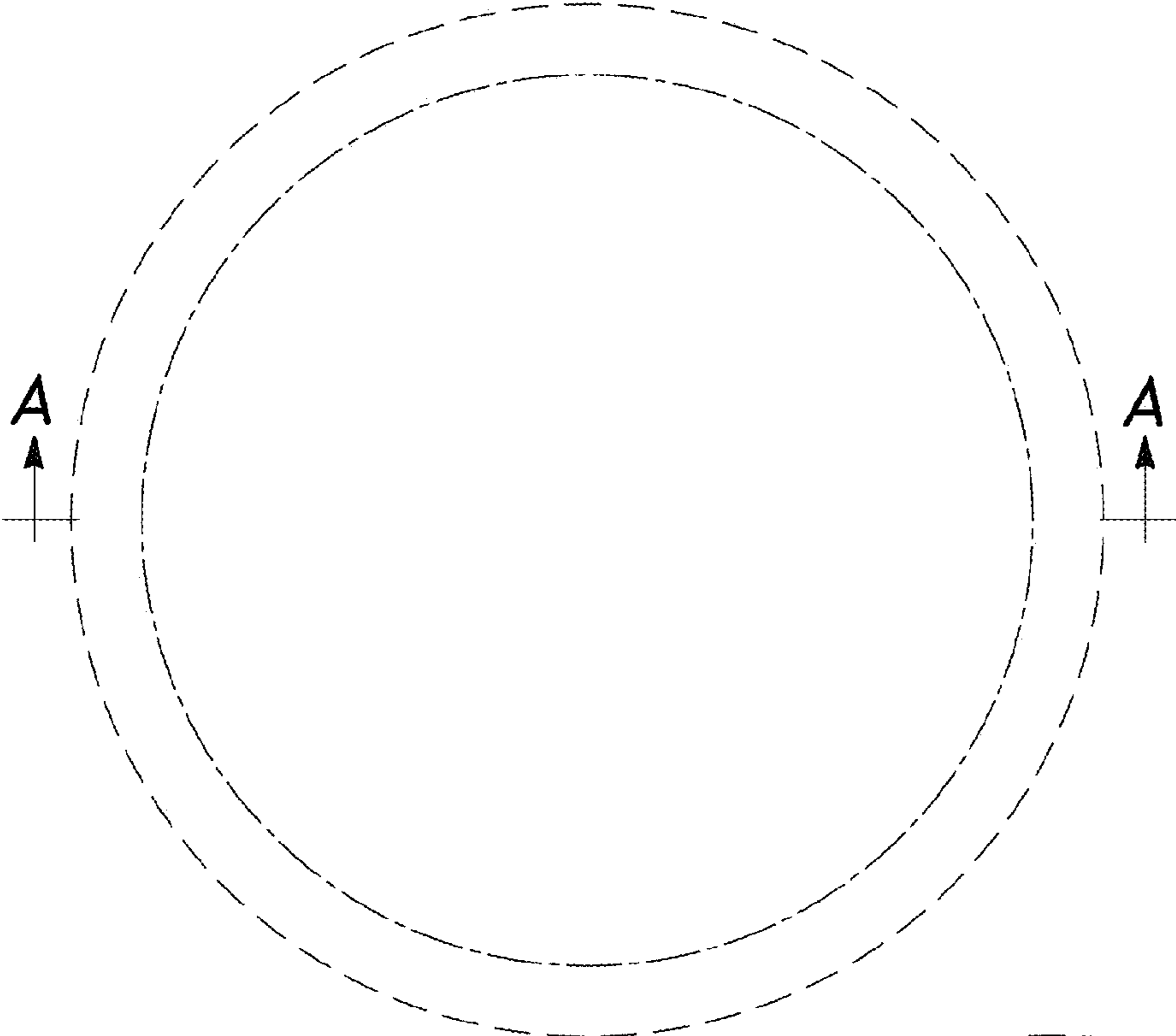


FIG. 3

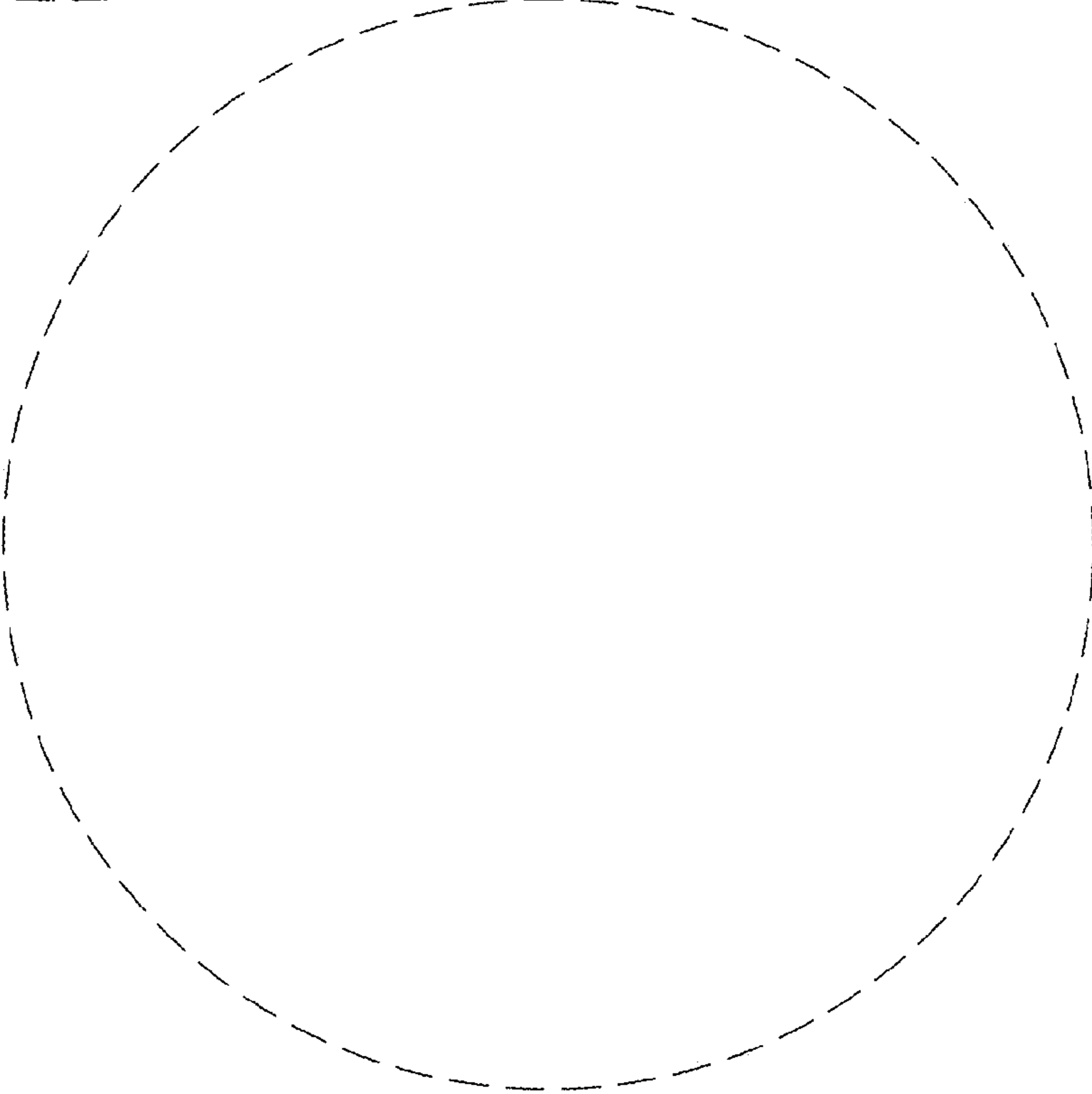


FIG. 4

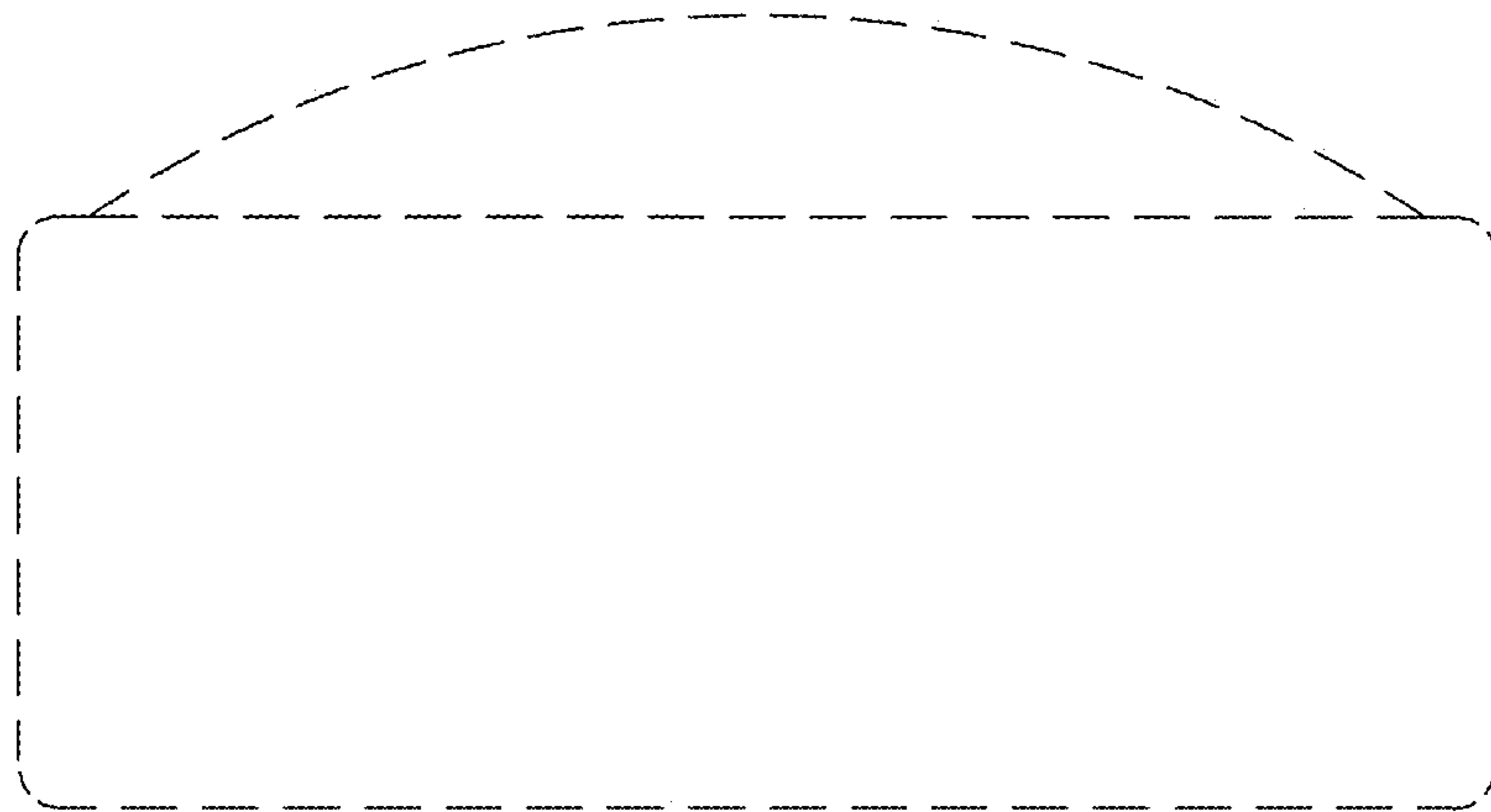


FIG. 5

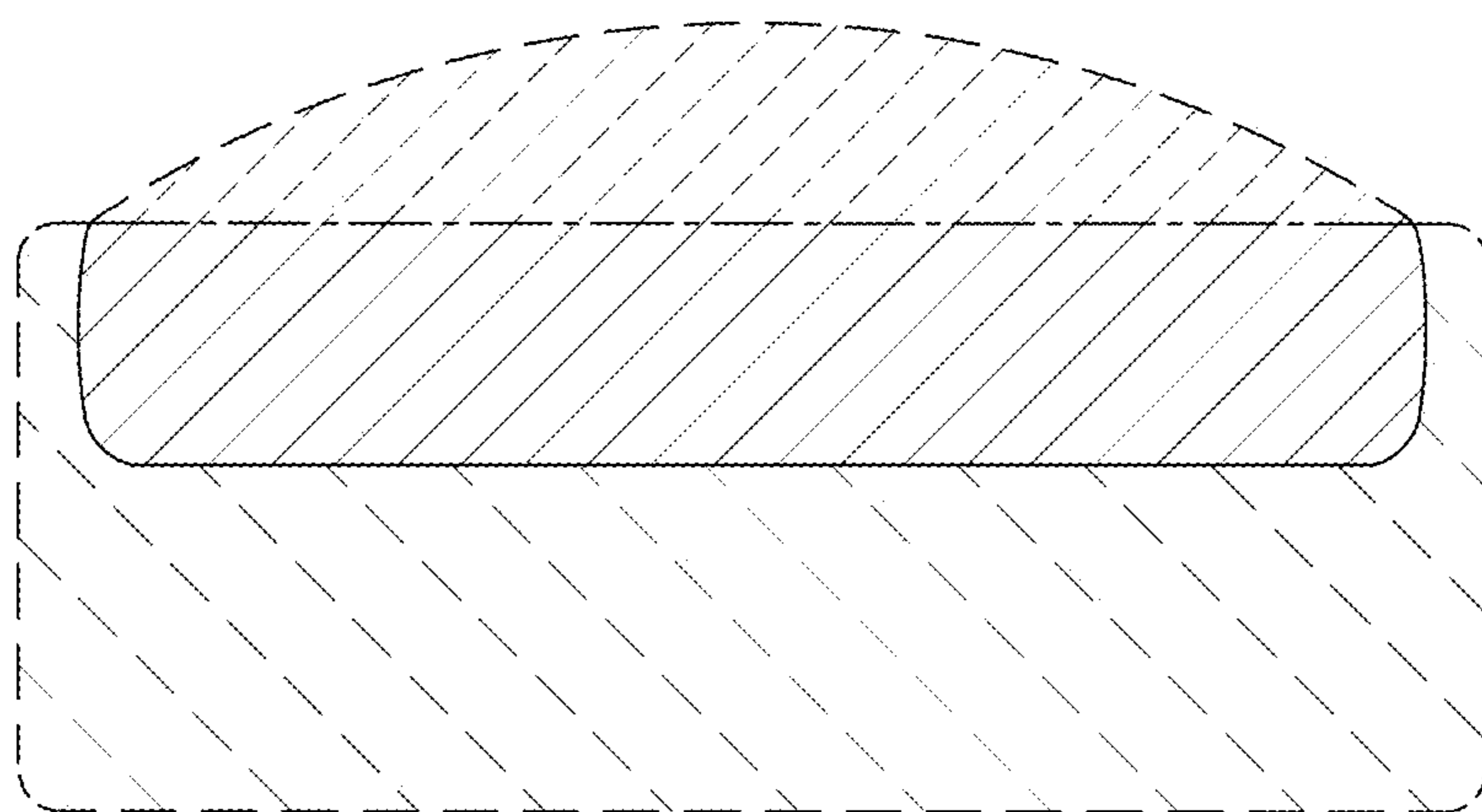


FIG. 6

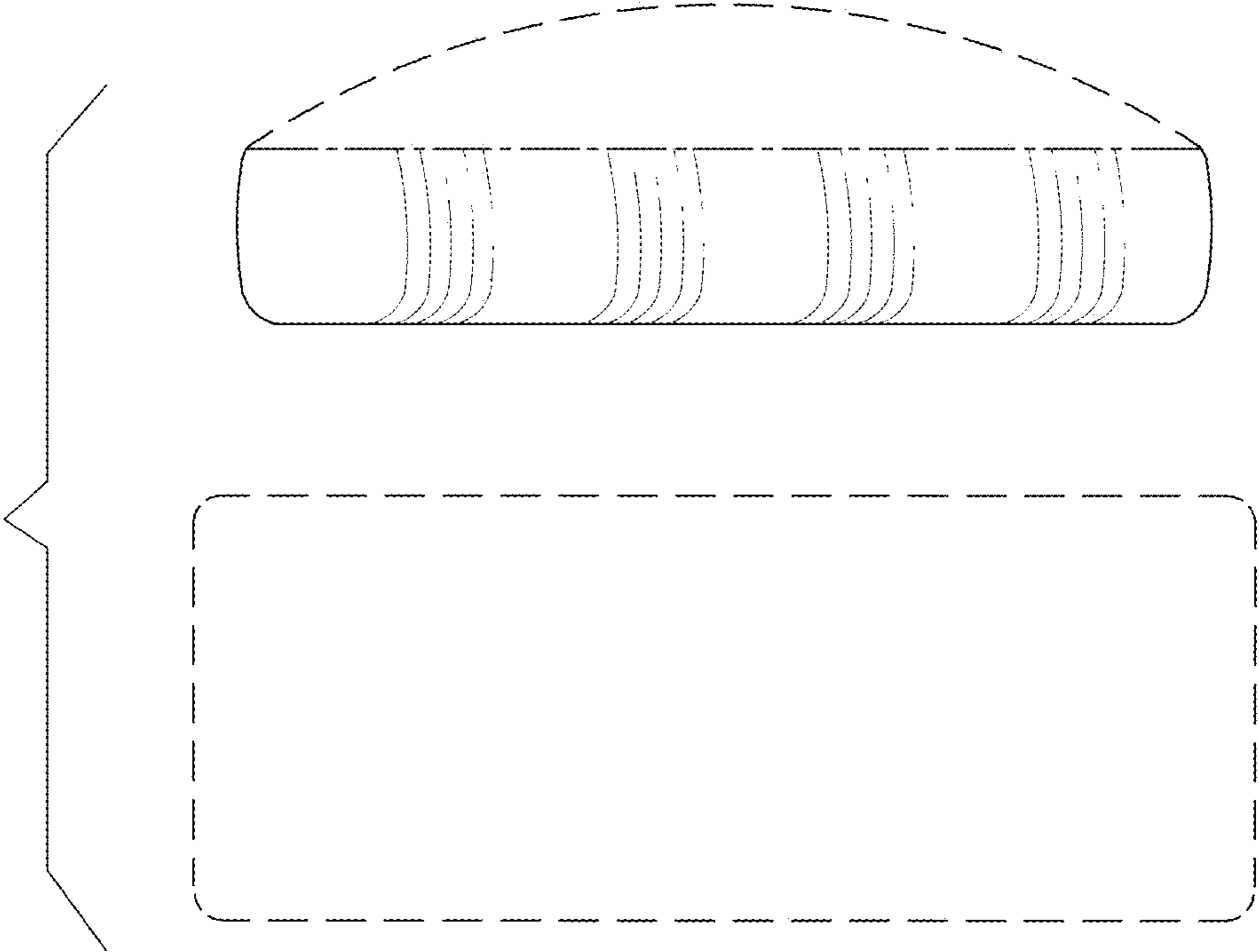


FIG. 7

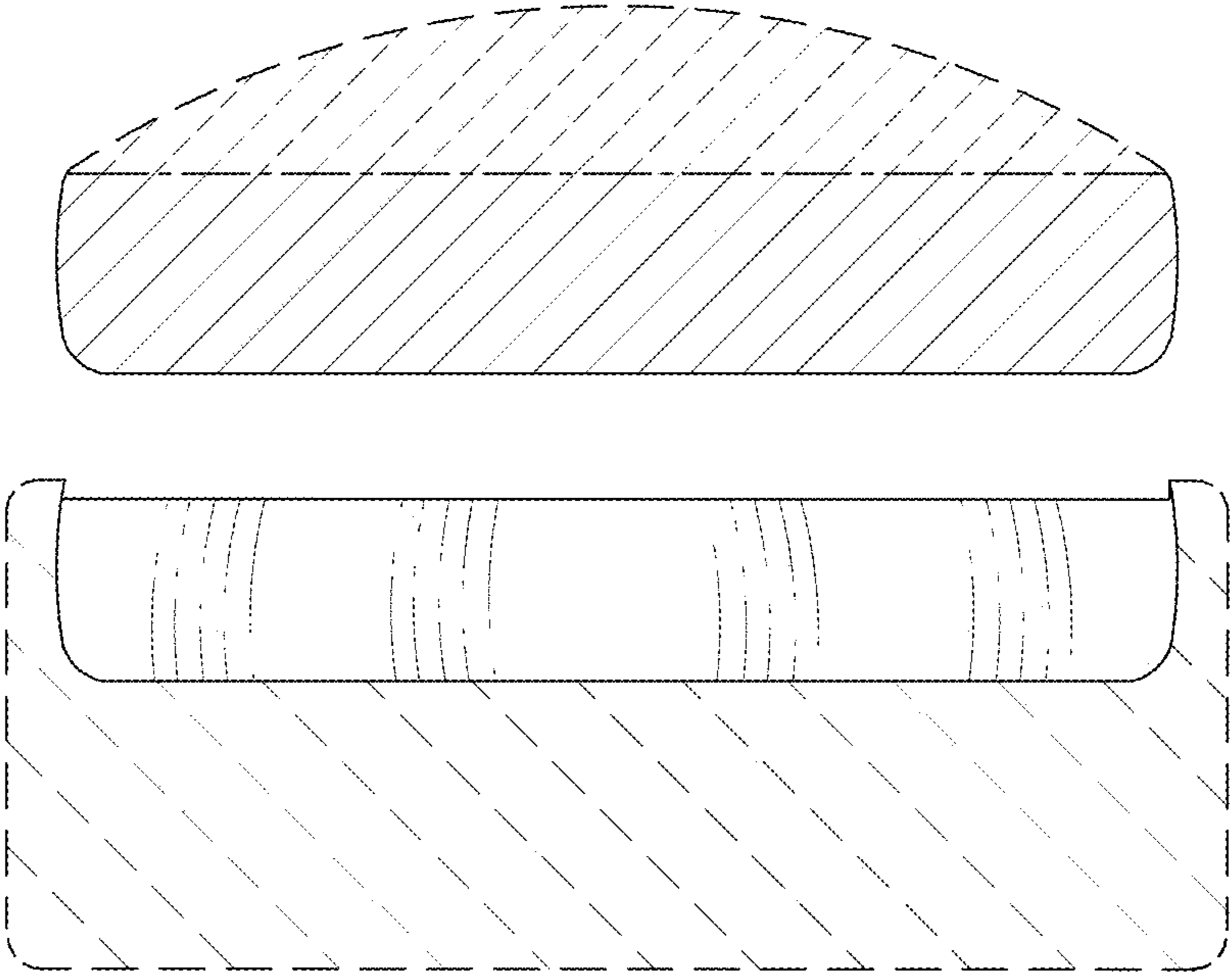


FIG. 8