



US00D984777S

(12) **United States Design Patent** (10) **Patent No.:** **US D984,777 S**
King (45) **Date of Patent:** **** Apr. 25, 2023**

(54) **LOCK BOX**

G07D 13/00; G07D 2201/00; G07D 2211/00; G07F 9/06; G07F 9/08

See application file for complete search history.

(71) Applicant: **Wildfire Enterprise LLC**, Asheville, NC (US)

(56) **References Cited**

(72) Inventor: **Glenn E. King**, Asheville, NC (US)

U.S. PATENT DOCUMENTS

(73) Assignee: **Wildfire Enterprise LLC**, Asheville, NC (US)

D205,641 S *	8/1966	Roth	D99/28
5,189,894 A *	3/1993	Buck	E05B 37/16 70/351
D350,002 S *	8/1994	Viola	D99/28
D399,632 S *	10/1998	Davis	D99/28

(Continued)

(**) Term: **15 Years**

OTHER PUBLICATIONS

(21) Appl. No.: **29/781,364**

Anslock Key Lock Box, Outside Key Storage Lockbox With Code For Office, House, Warehouse, Wall Mount Push Button Combination, <https://onefantasticshop.com/en/key-boxes/3442-anslock-key-lock-box-outside-key-storage-lockbox-with-code-for-office-house-warehouse-wall-mount-push-button-combination>, 2023. (Year: 2023).*

(22) Filed: **Apr. 29, 2021**

(Continued)

(51) **LOC (14) Cl.** **99-00**

(52) **U.S. Cl.**

USPC **D99/28**

Primary Examiner — Elizabeth J Oswecki

(58) **Field of Classification Search**

(74) *Attorney, Agent, or Firm* — The Van Winkle Law Firm; William G. Needy

USPC D99/28, 34, 35, 36, 43, 99; D3/900, 901, D3/902, 903, 905, 201, 273, 274, 294, D3/295, 296, 297; D18/3.1, 3.3, 12.1; D6/663, 664, 667, 683, 683.1

(57) **CLAIM**

CPC A45C 1/12; A45C 2001/125; A45C 2001/102; A45C 2001/104; A45C 2001/006; A45C 2001/003; A45C 2001/105; A45C 2001/107; E05G 1/00; E05G 1/005; E05G 1/024; E05G 1/026; E05G 5/00; E05G 7/00; E05G 7/001; E05G 2700/00; E05G 2700/02; B63C 7/30; G07D 9/00; G07D 9/002; G07D 9/004; G07D 9/006; G07D 9/008; G07D 9/02; G07D 9/04; G07D 9/06; G07D 9/065; G07D 11/00; G07D 11/0021;

The ornamental design for a lock box, as shown and described.

DESCRIPTION

FIG. 1 is a perspective view of a lock box showing my new design, wherein the lock is in a closed configuration; FIG. 2 is a front elevational view thereof; FIG. 3 is a rear elevational view thereof; FIG. 4 is a right side elevational view thereof; FIG. 5 is a left side elevational view thereof; FIG. 6 is a top plan view thereof; FIG. 7 is a bottom plan thereof; FIG. 8 is a perspective view thereof, wherein the lock box is in an open configuration; FIG. 9 is a front elevational view of FIG. 8;

(Continued)

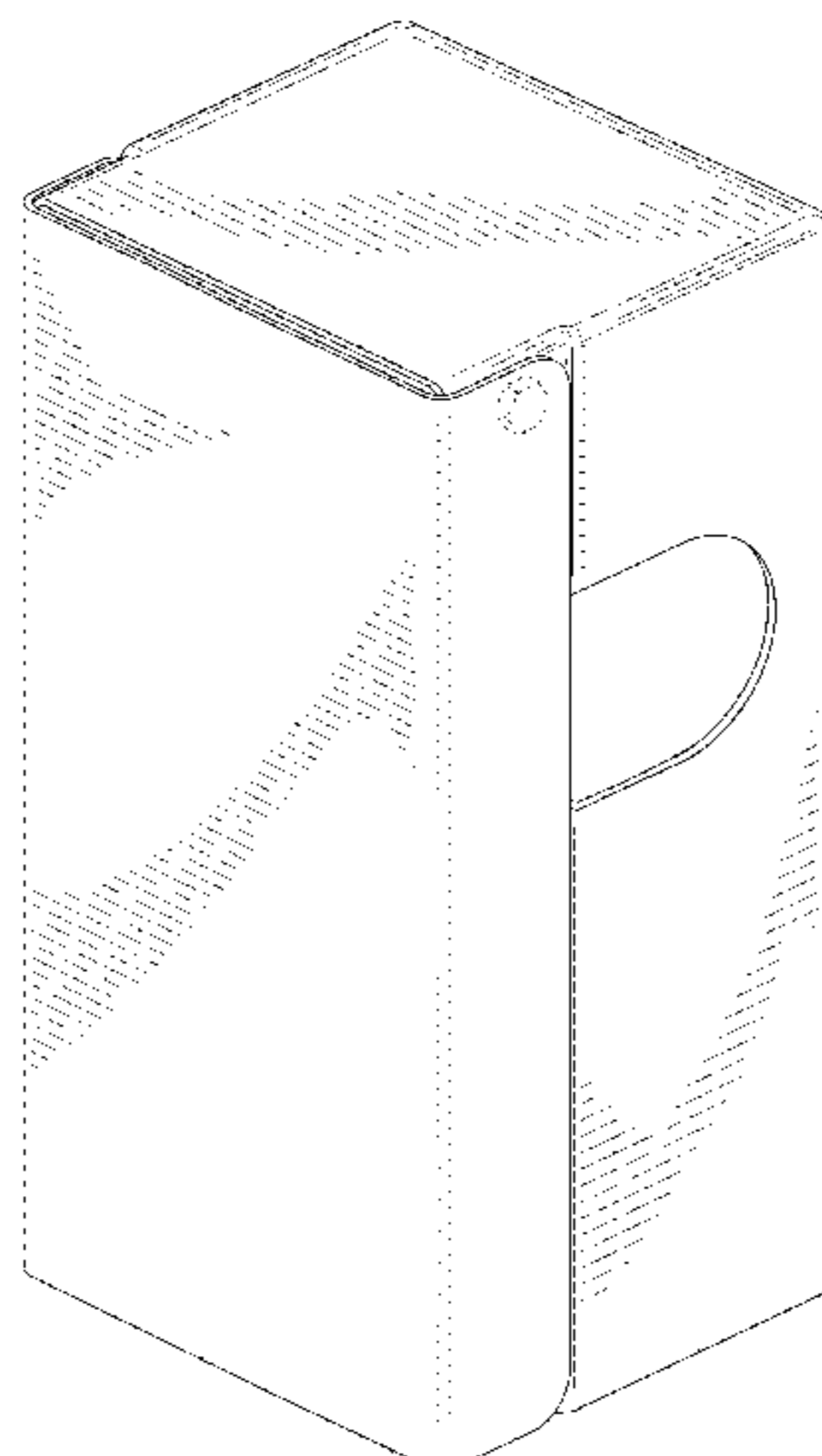


FIG. 10 is a rear elevational view of FIG. 8;
 FIG. 11 is a right side elevational view of FIG. 8;
 FIG. 12 is a left side elevational view of FIG. 8;
 FIG. 13 is a top plan view of FIG. 8; and,
 FIG. 14 is a bottom plan view of FIG. 8.
 The broken lines in the drawings illustrate portions of the
 lock box that form no part of the claimed design.

1 Claim, 13 Drawing Sheets

(56)

References Cited

U.S. PATENT DOCUMENTS

D568,312 S *	5/2008	Wang	D14/356
D624,275 S *	9/2010	Min	D99/28
8,074,477 B1 *	12/2011	Weiche	F41C 33/06 5/503.1
D677,855 S *	3/2013	Eick	D99/35
D686,491 S *	7/2013	Kuo	D9/432
D729,515 S *	5/2015	Slimane	D3/242
D734,535 S *	7/2015	Dyer	D27/189

D800,989 S *	10/2017	Lucido	D99/28
D808,109 S *	1/2018	Smith	D99/28
D880,102 S *	3/2020	Quinn	D99/28
D920,623 S *	5/2021	Loeppert	D99/28
D969,444 S *	11/2022	Rui	D99/28
D973,359 S *	12/2022	Liu	D99/28
2004/0045329 A1 *	3/2004	Farnham	E05B 73/0005 70/161
2007/0199938 A1 *	8/2007	Hoffman	E05G 1/005 220/484
2012/0298018 A1 *	11/2012	McCabe	E05B 17/0025 109/51
2014/0137522 A1 *	5/2014	Junior	B65D 43/164 53/492

OTHER PUBLICATIONS

Key Lock Box 4 Digit Combination Wall Mounted Aluminum alloy
 Key Safe Box Weatherproof Key Storage Lock Box Indoor
 Outdoor,[https://www.aliexpress.us/item/2251832741175755.html?](https://www.aliexpress.us/item/2251832741175755.html?gatewayAdapt=glo2usa4itemAdapt&_randl_shipto=US)
 gatewayAdapt=glo2usa4itemAdapt&_randl_shipto=US, 2023. (Year:
 2023).*

* cited by examiner

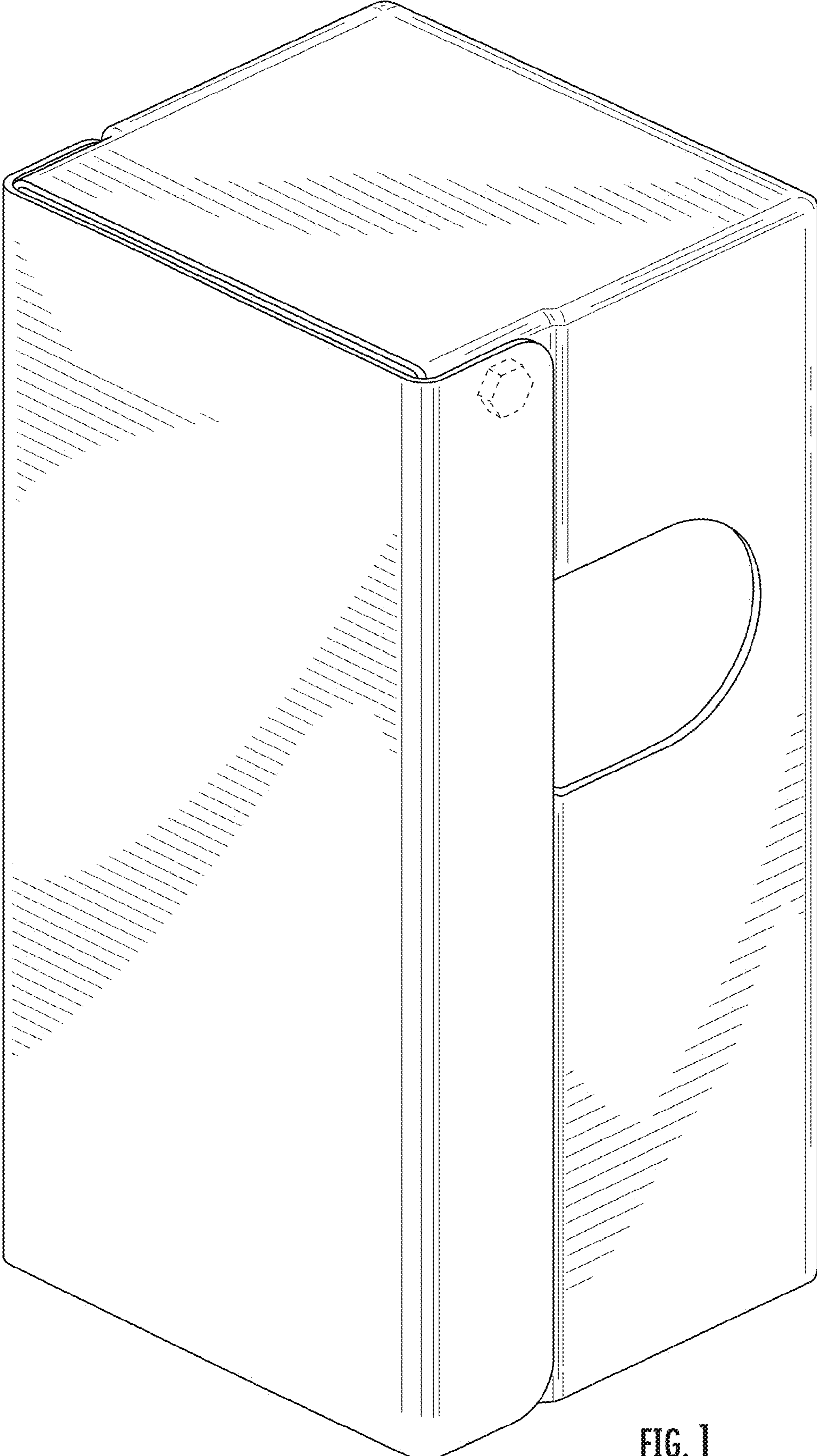


FIG. 1

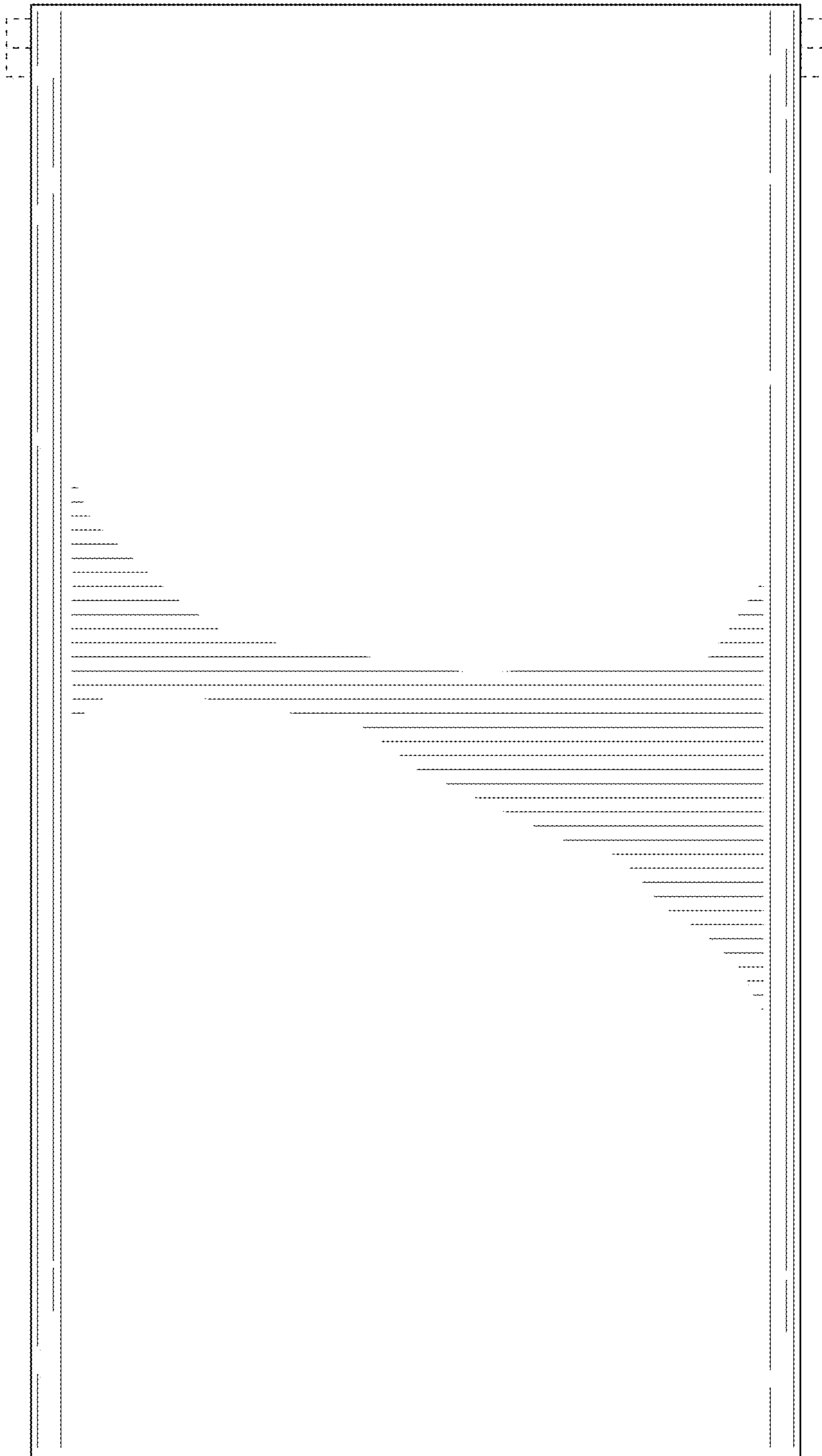


FIG. 2

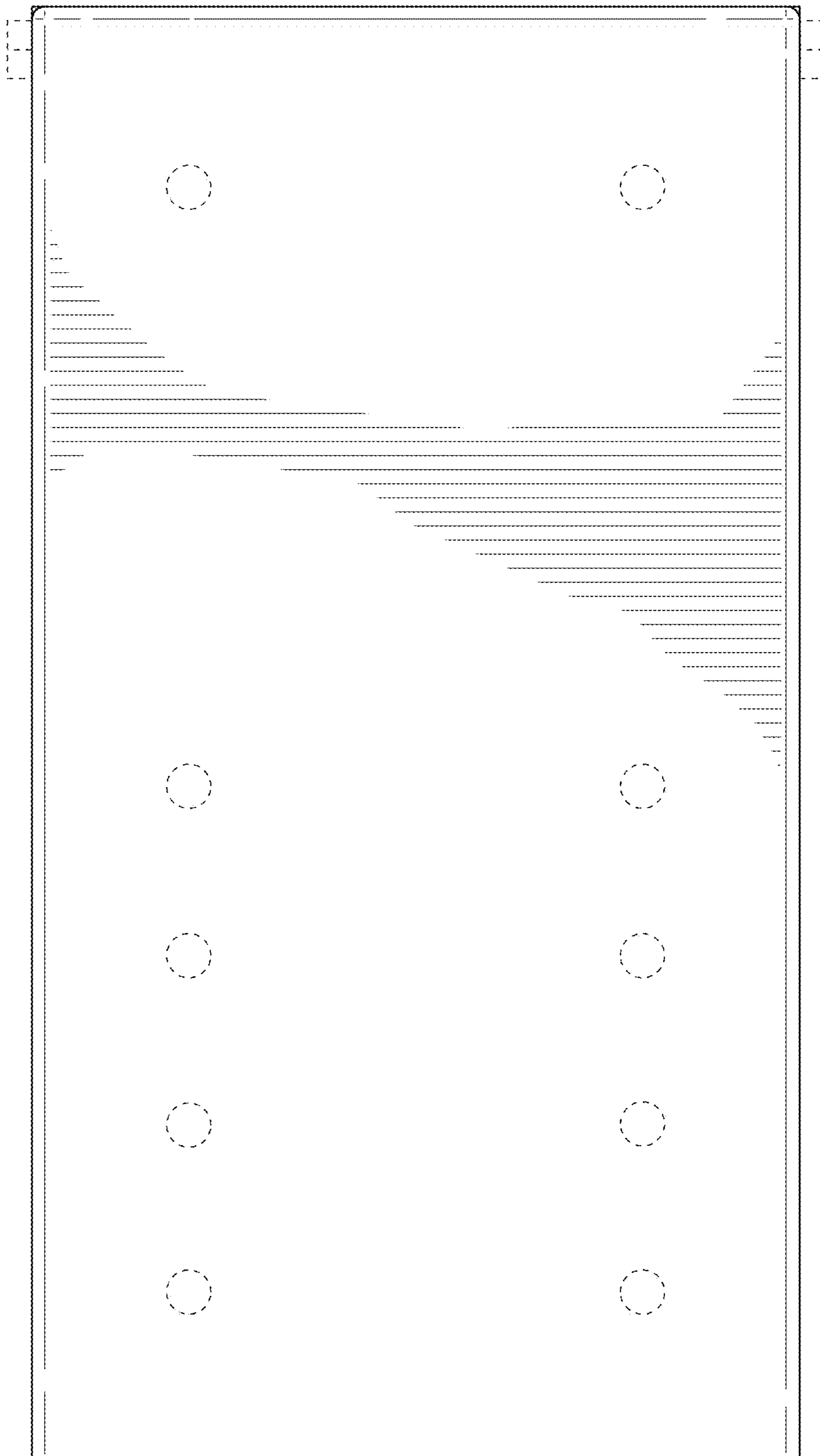


FIG. 3

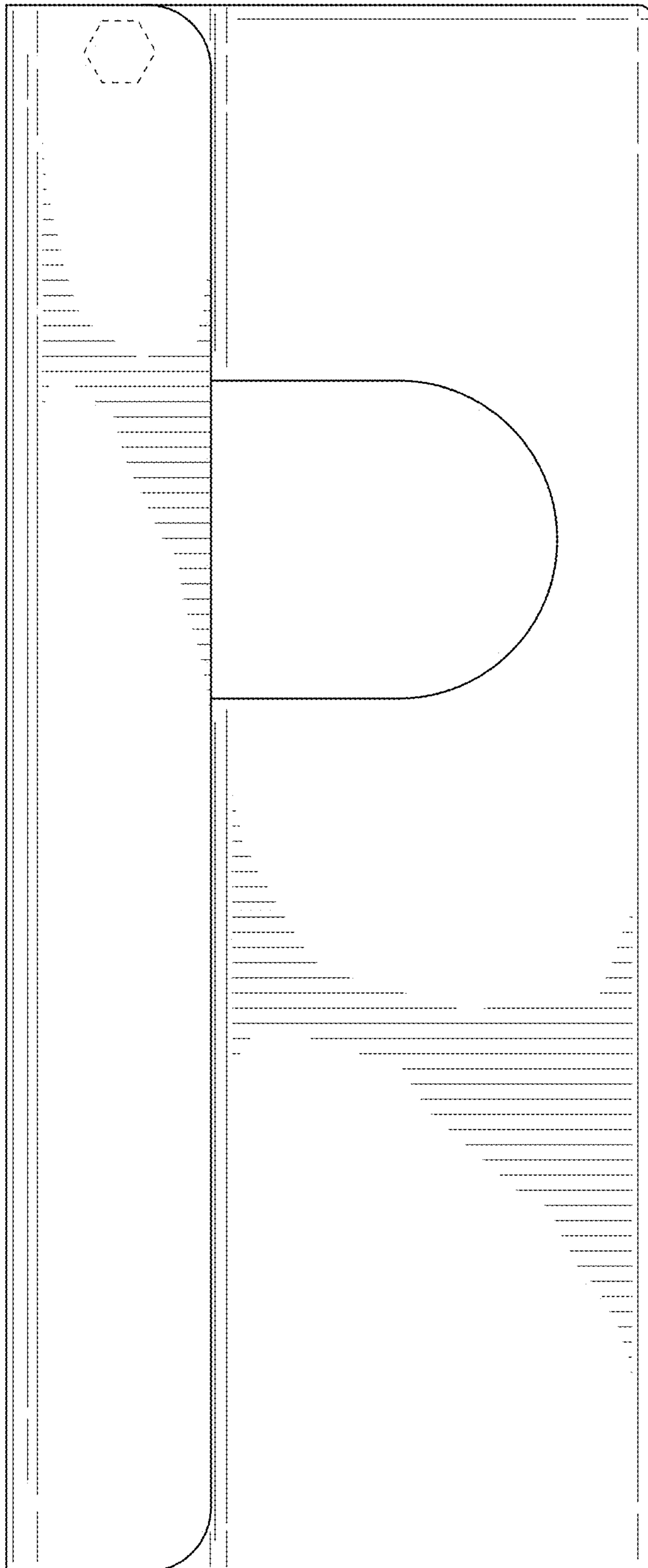


FIG. 4

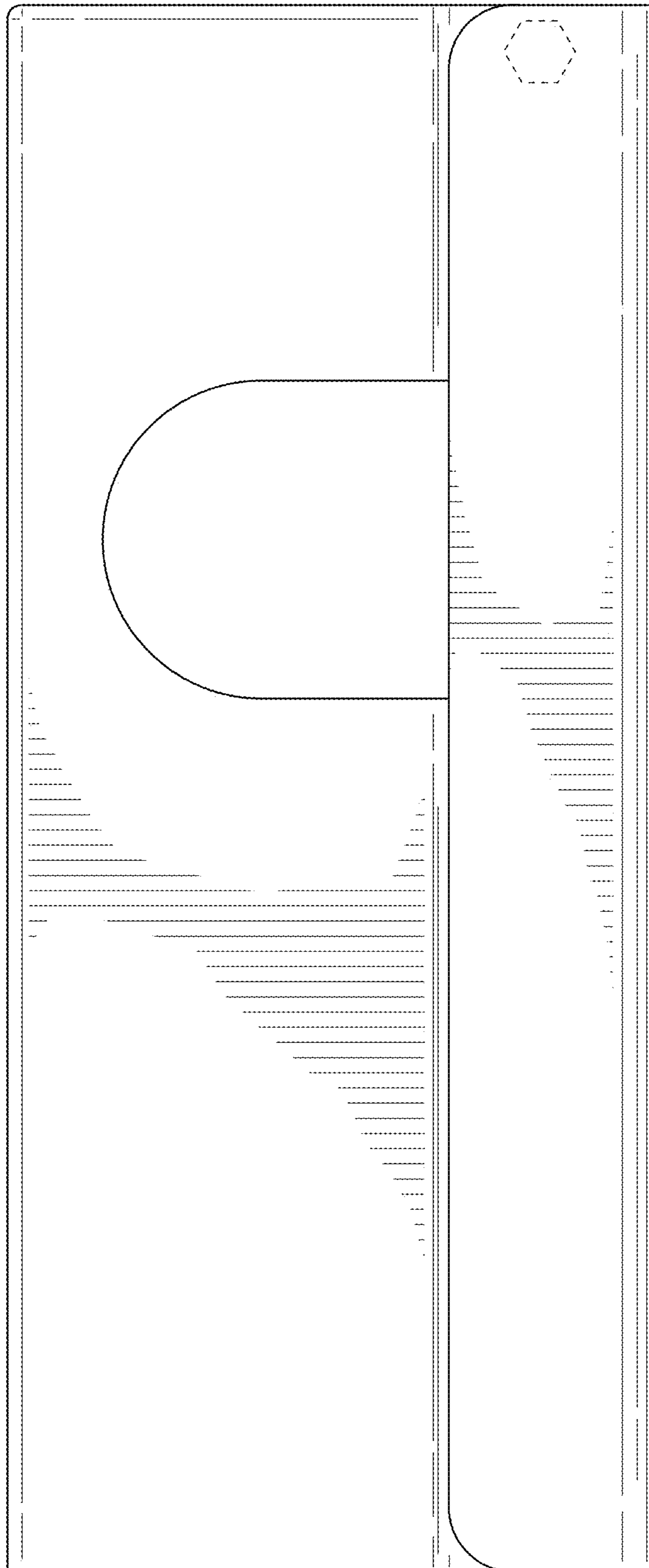


FIG. 5

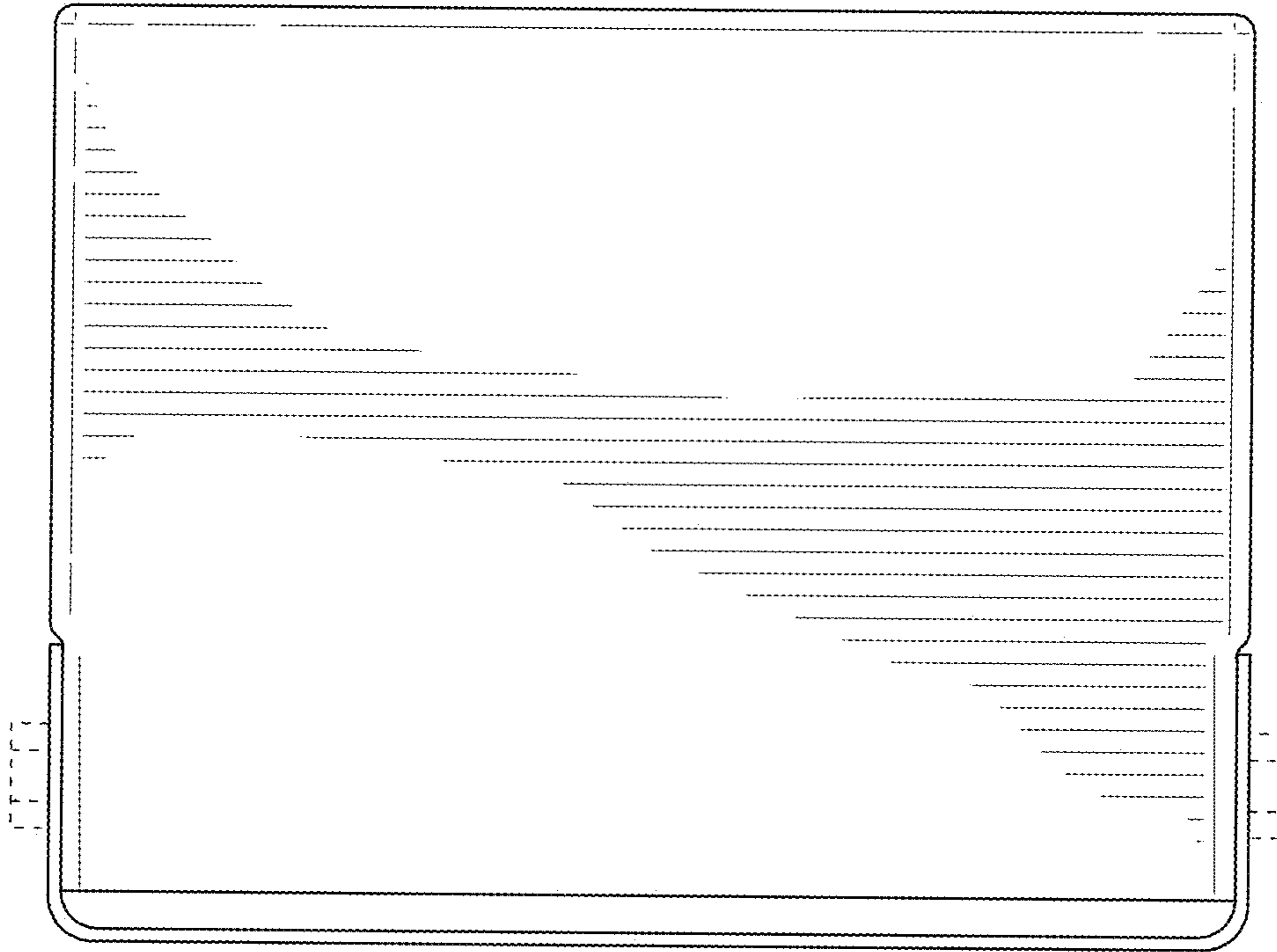


FIG. 6

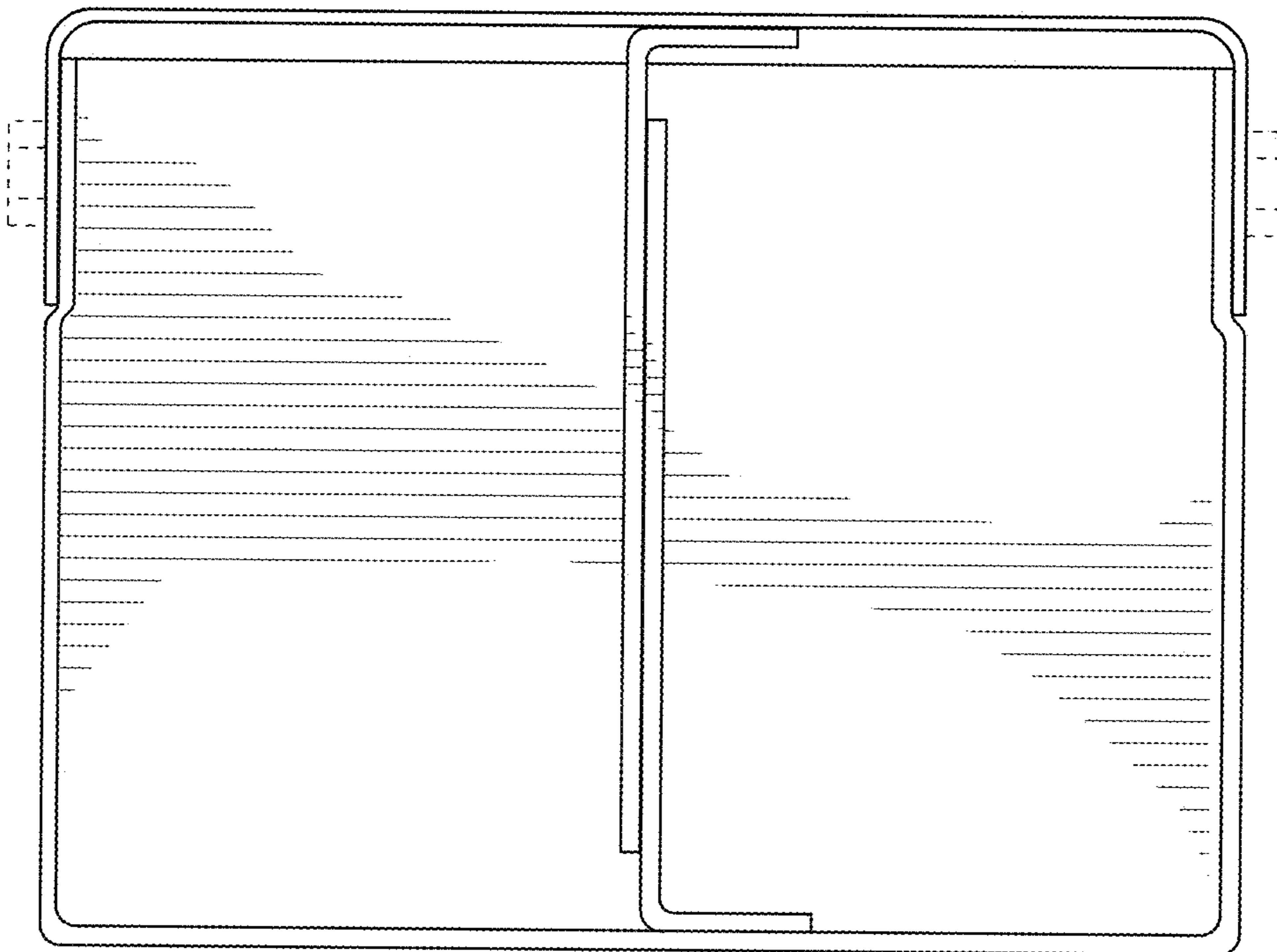


FIG. 7

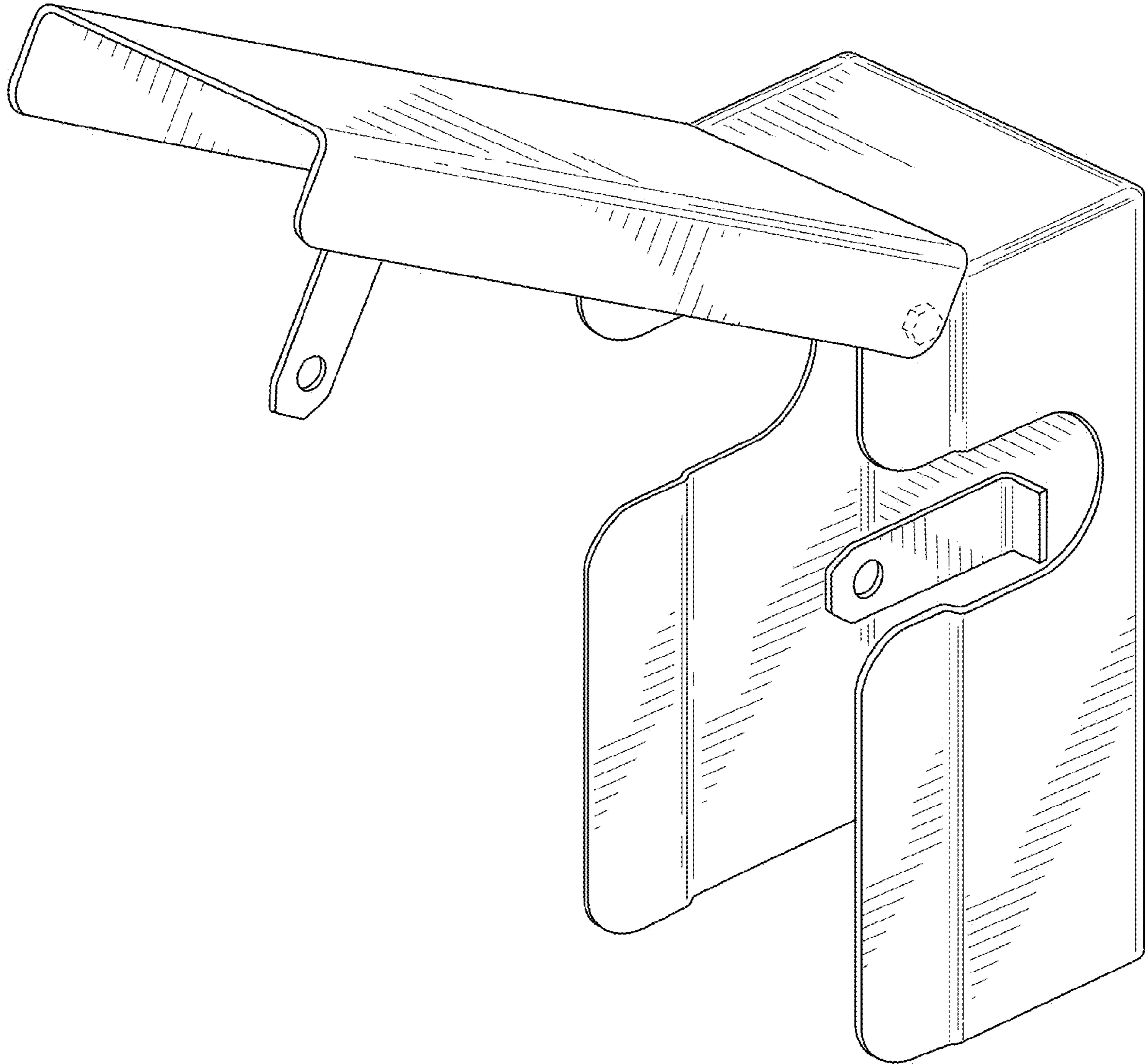


FIG. 8

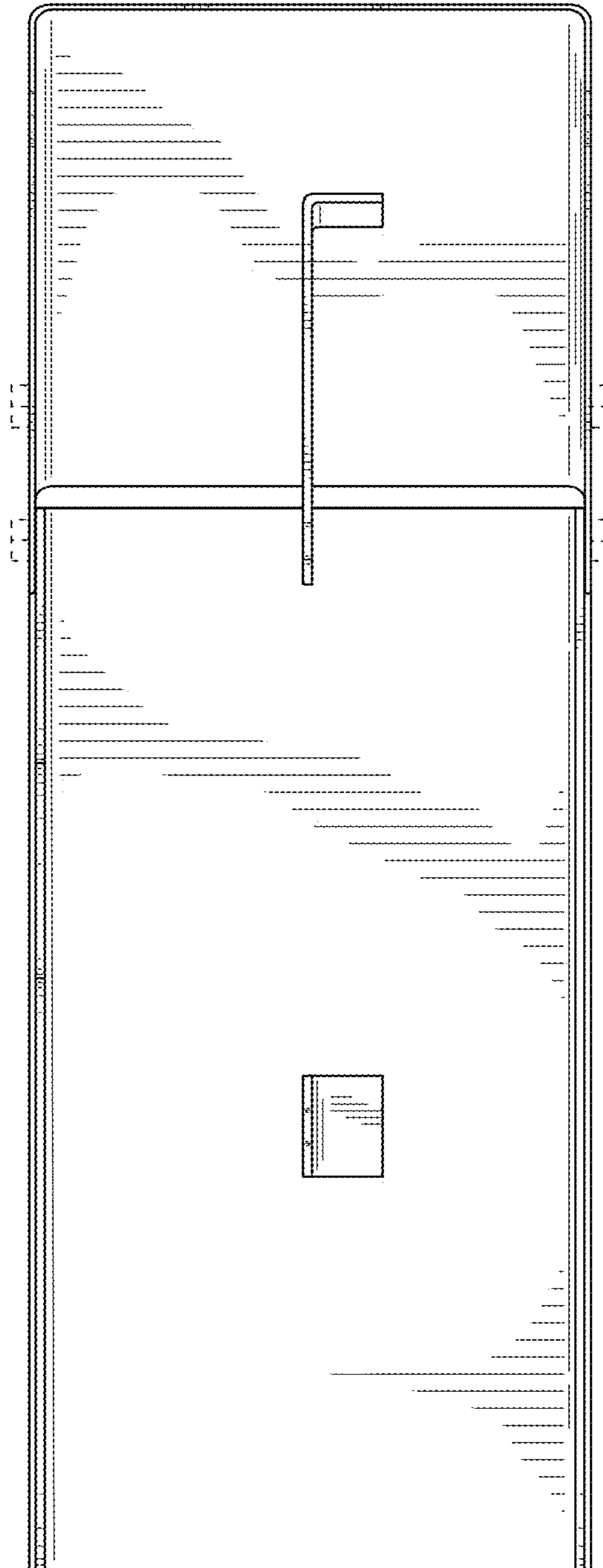


FIG. 9

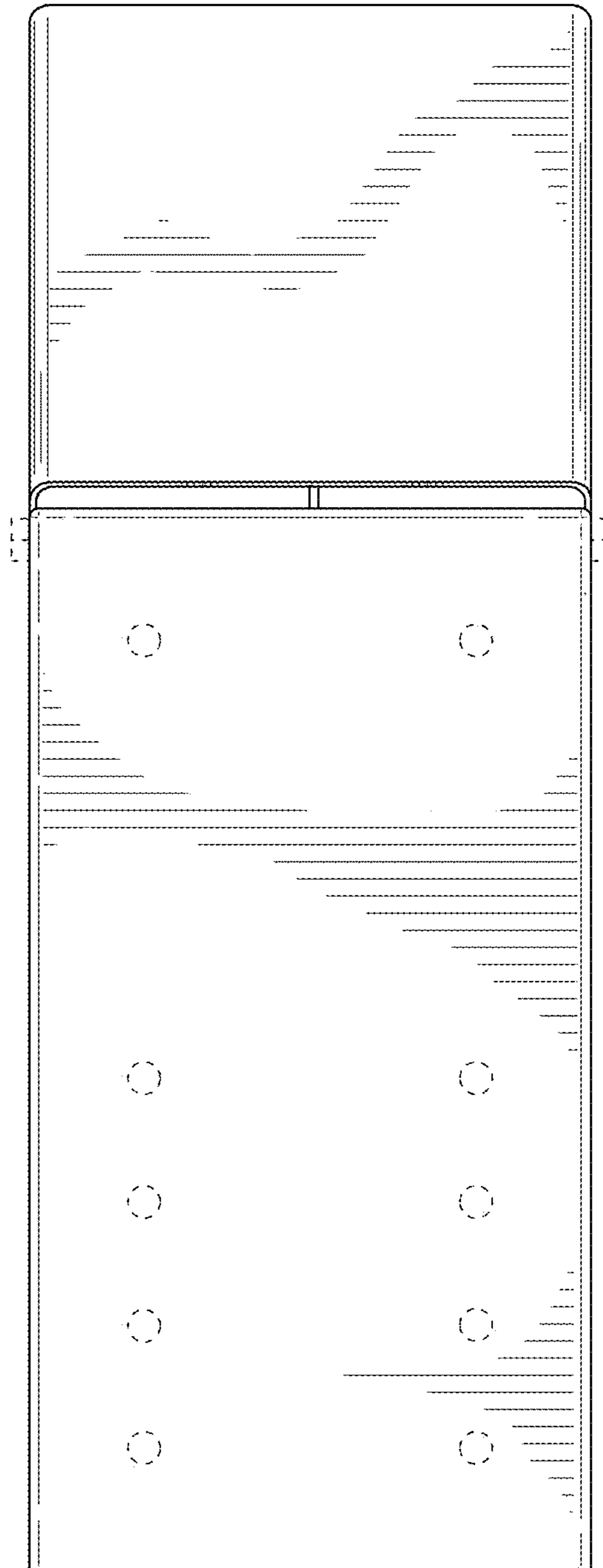


FIG. 10

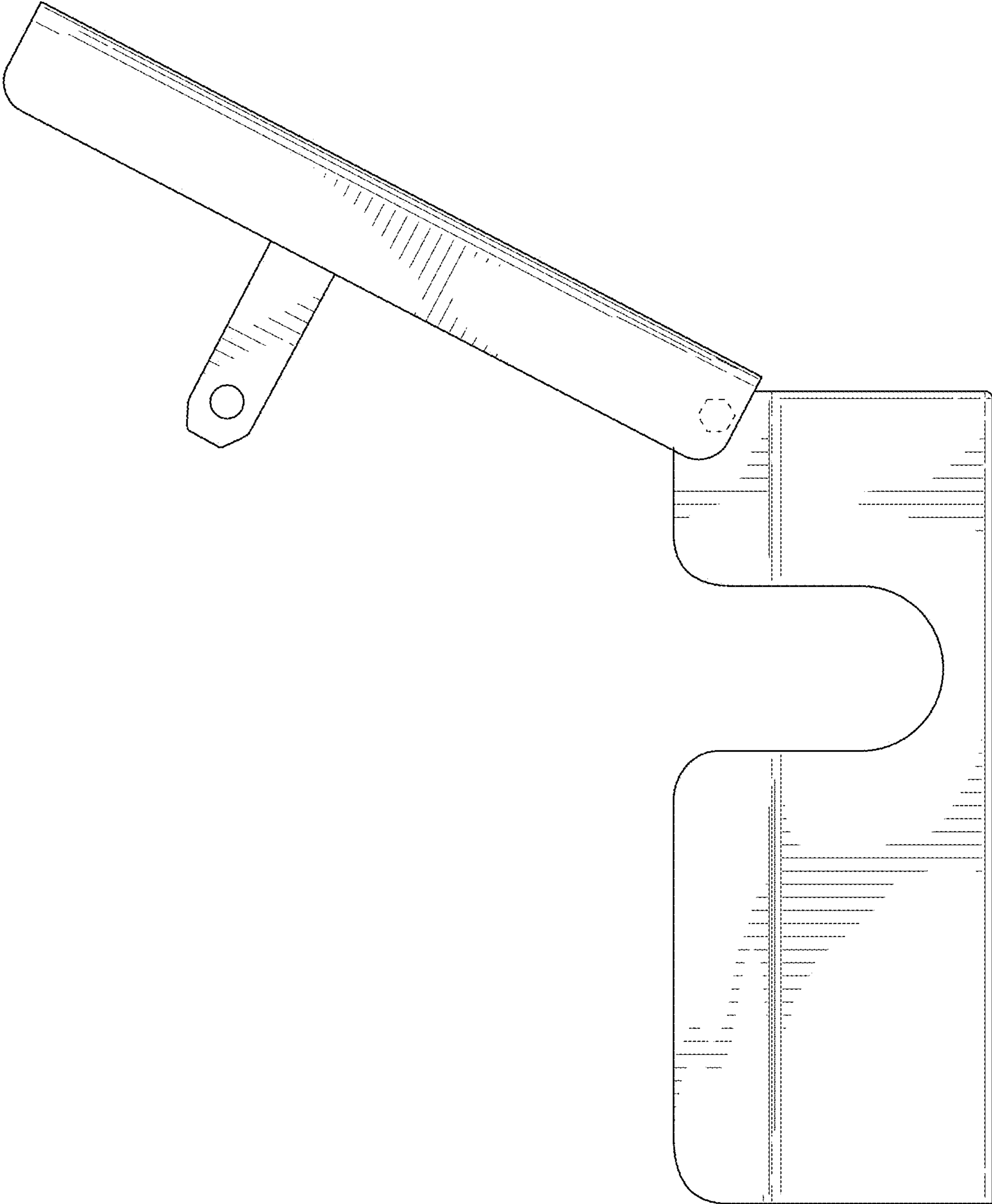


FIG. 11

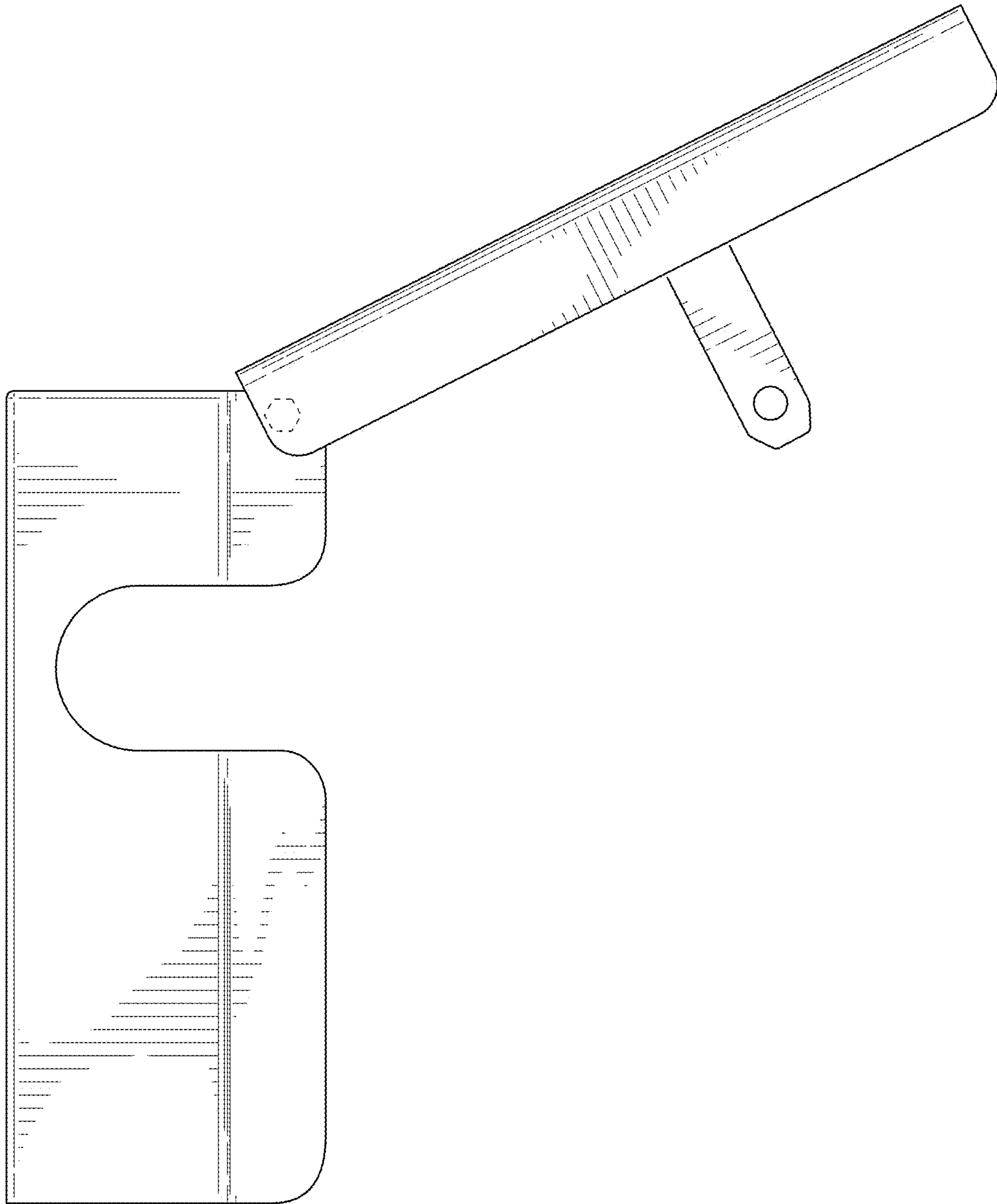


FIG. 12

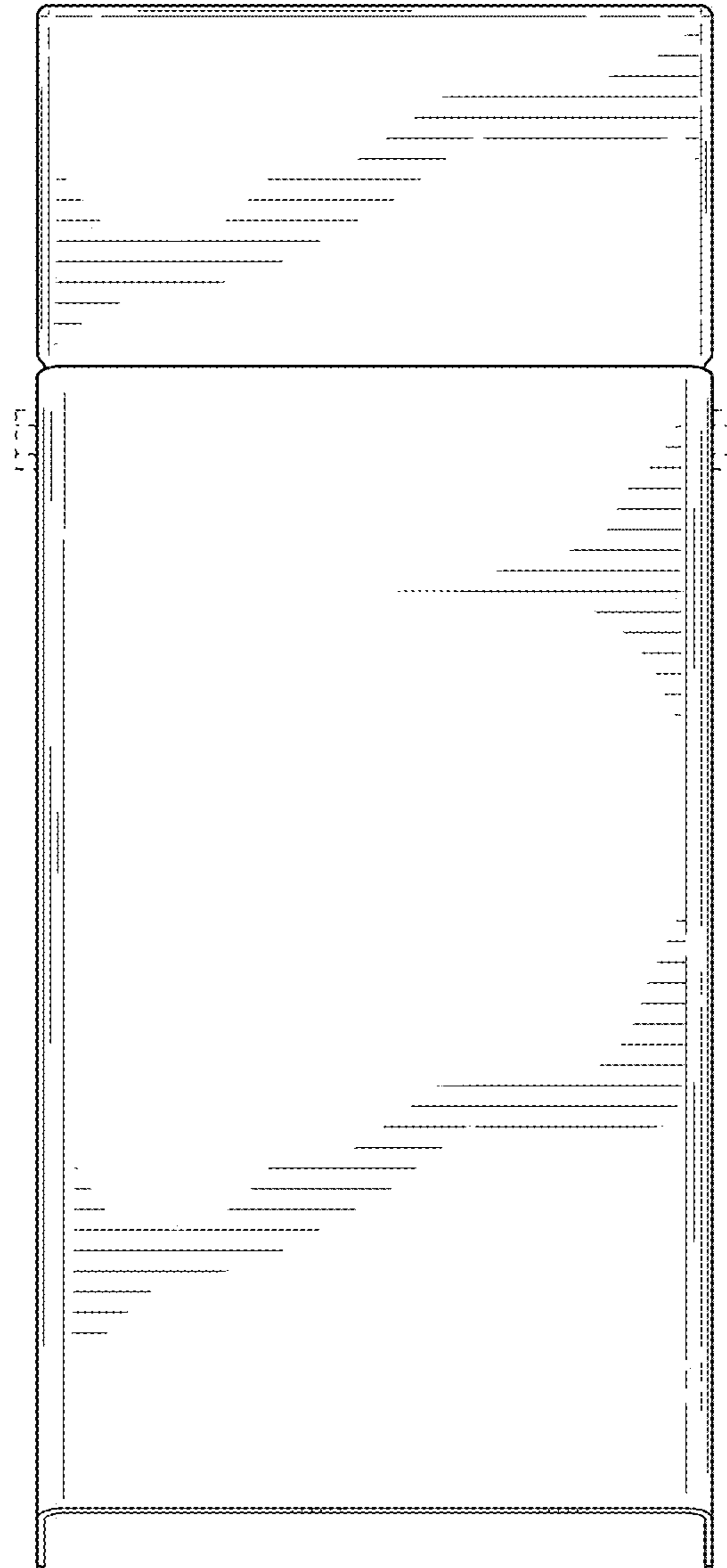


FIG. 13

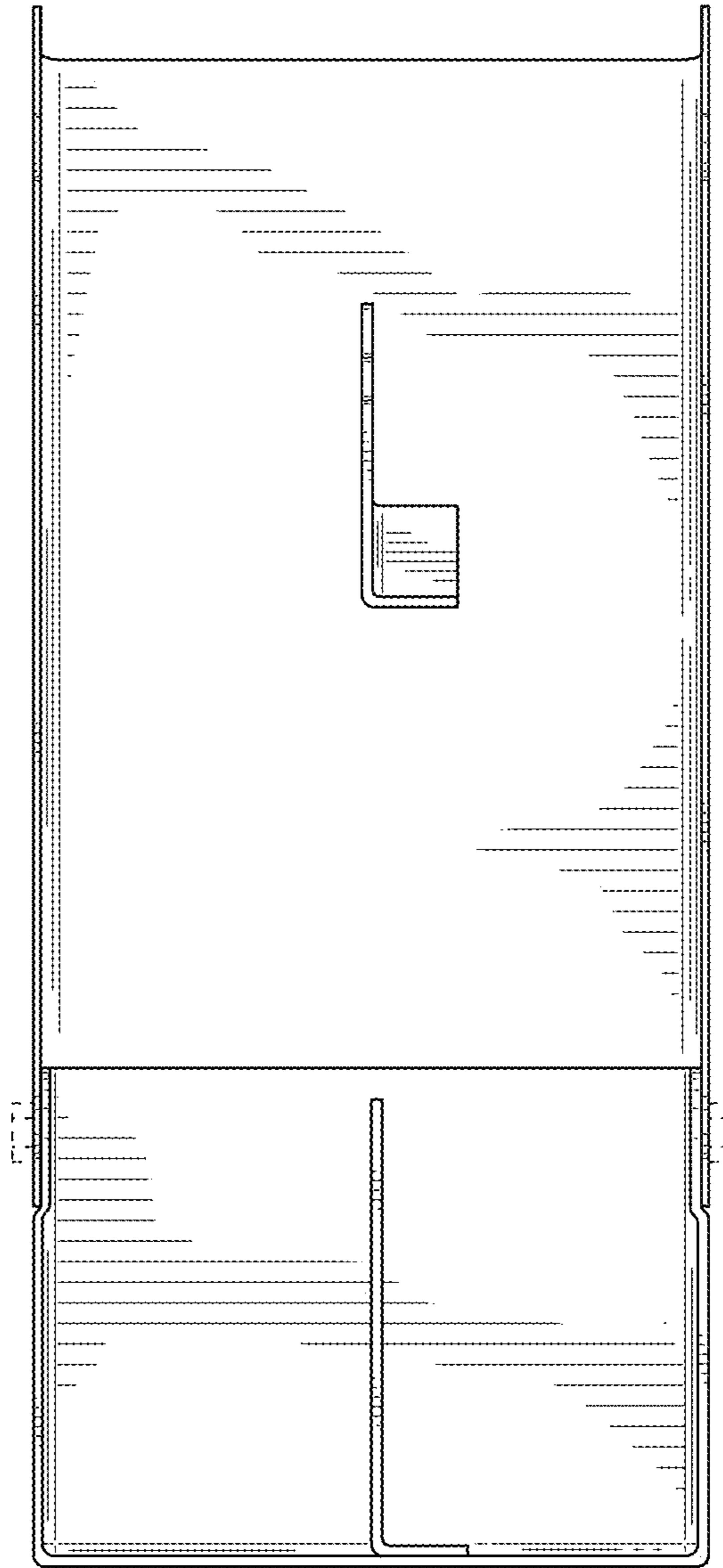


FIG. 14