



US00D984776S

(12) **United States Design Patent** (10) **Patent No.:** **US D984,776 S**
Wu et al. (45) **Date of Patent:** **** Apr. 25, 2023**

(54) **ELECTRIC VACUUM SUCTION HOLD**

OTHER PUBLICATIONS

(71) Applicant: **HANGZHOU KINTY TOOL MANUFACTURE CO., LTD,**
Hangzhou (CN)

Defusco.com Dec. 8, 2022, Grabo Electric Vacuum Suction Cup Lifter, <https://www.defusco.com/product/grabo-electric-vacuum-suction-cup-lifter/> (Year: 2022).*

(72) Inventors: **Jingchao Wu,** Hangzhou (CN); **Bo Wu,** Hangzhou (CN)

Toolsforflooring.com Dec. 8, 2022, Nemo GRABO Electric Vacuum Suction Cup Lifter, <https://www.tools4flooring.com/grabo-electric-vacuum-suction-cup-lifter.html> (Year: 2022).*

(**) Term: **15 Years**

* cited by examiner

(21) Appl. No.: **29/858,046**

Primary Examiner — Cynthia Ramirez

(22) Filed: **Oct. 27, 2022**

(74) *Attorney, Agent, or Firm* — Daniel M. Cohn;
Howard M. Cohn

(51) **LOC (14) Cl.** **12-05**

(52) **U.S. Cl.**
USPC **D34/28**

(57) **CLAIM**

(58) **Field of Classification Search**
USPC D34/28; D8/14
CPC ... B25F 1/00; B25F 1/006; A01B 1/20; A62B
3/005; B25G 1/04; B25G 3/28

The ornamental design for a electric vacuum suction hold, as shown and described.

See application file for complete search history.

DESCRIPTION

(56) **References Cited**

FIG. 1 is a perspective view of an electric vacuum suction hold showing our new design;
FIG. 2 is another perspective view thereof;
FIG. 3 is a front elevational view thereof;
FIG. 4 is a rear elevational view thereof;
FIG. 5 is a left side elevational view thereof;
FIG. 6 is a right side elevational view thereof;
FIG. 7 is a top plan view thereof; and,
FIG. 8 is a bottom plan view thereof.

U.S. PATENT DOCUMENTS

D880,966 S *	4/2020	Montoli	D8/14
D883,596 S	5/2020	Li et al.		
D893,981 S	8/2020	Livingston, Jr. et al.		
D932,726 S *	10/2021	Rotem	D34/28
D933,927 S *	10/2021	Rotem	D34/28
D934,524 S *	10/2021	Rotem	D34/28
D944,619 S *	3/2022	Rotem	D8/107
D953,681 S *	5/2022	Tsfasman	D34/28
2020/0338695 A1 *	10/2020	Rotem	B66C 1/0287

1 Claim, 8 Drawing Sheets





FIG. 1

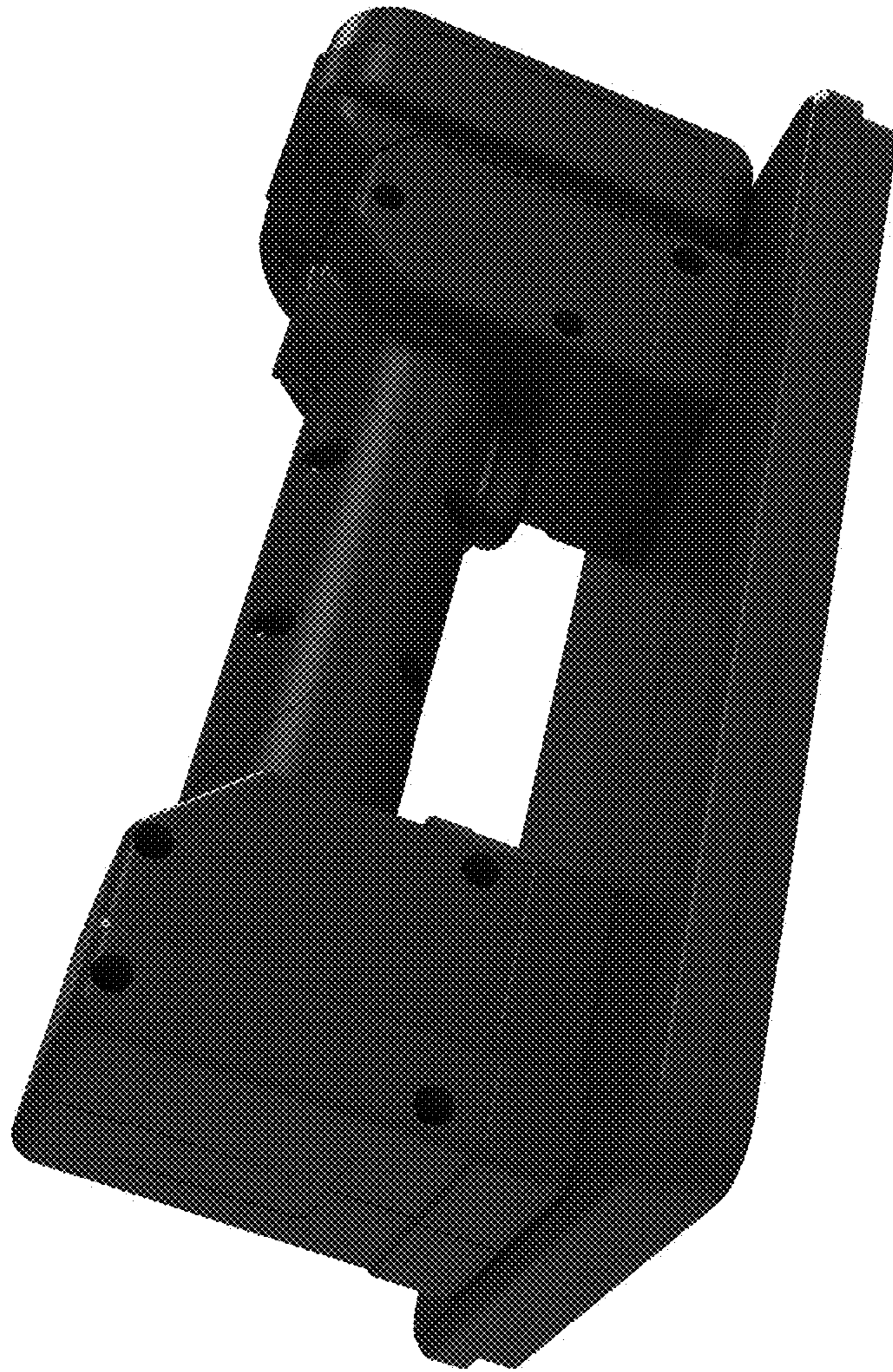


FIG. 2

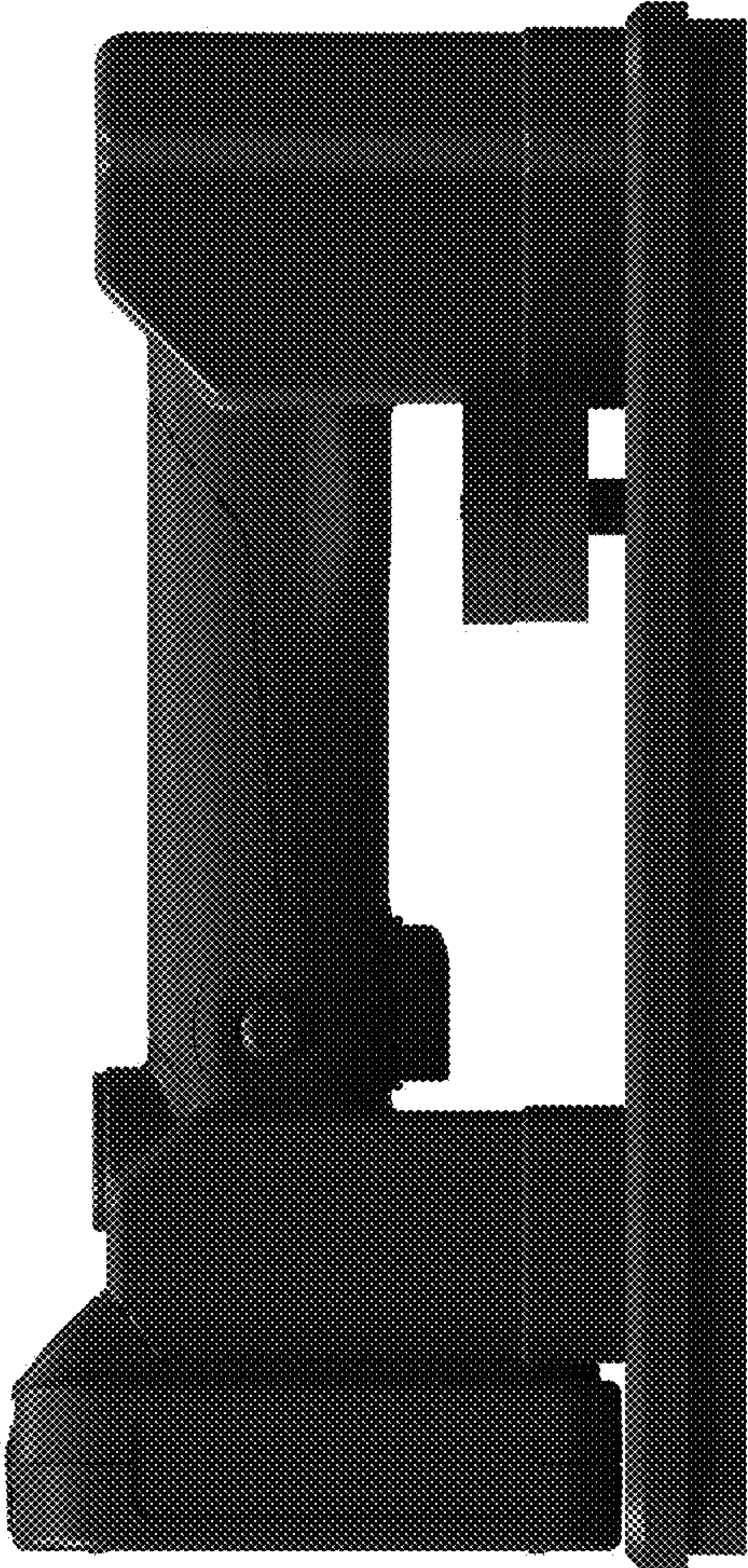


FIG. 3

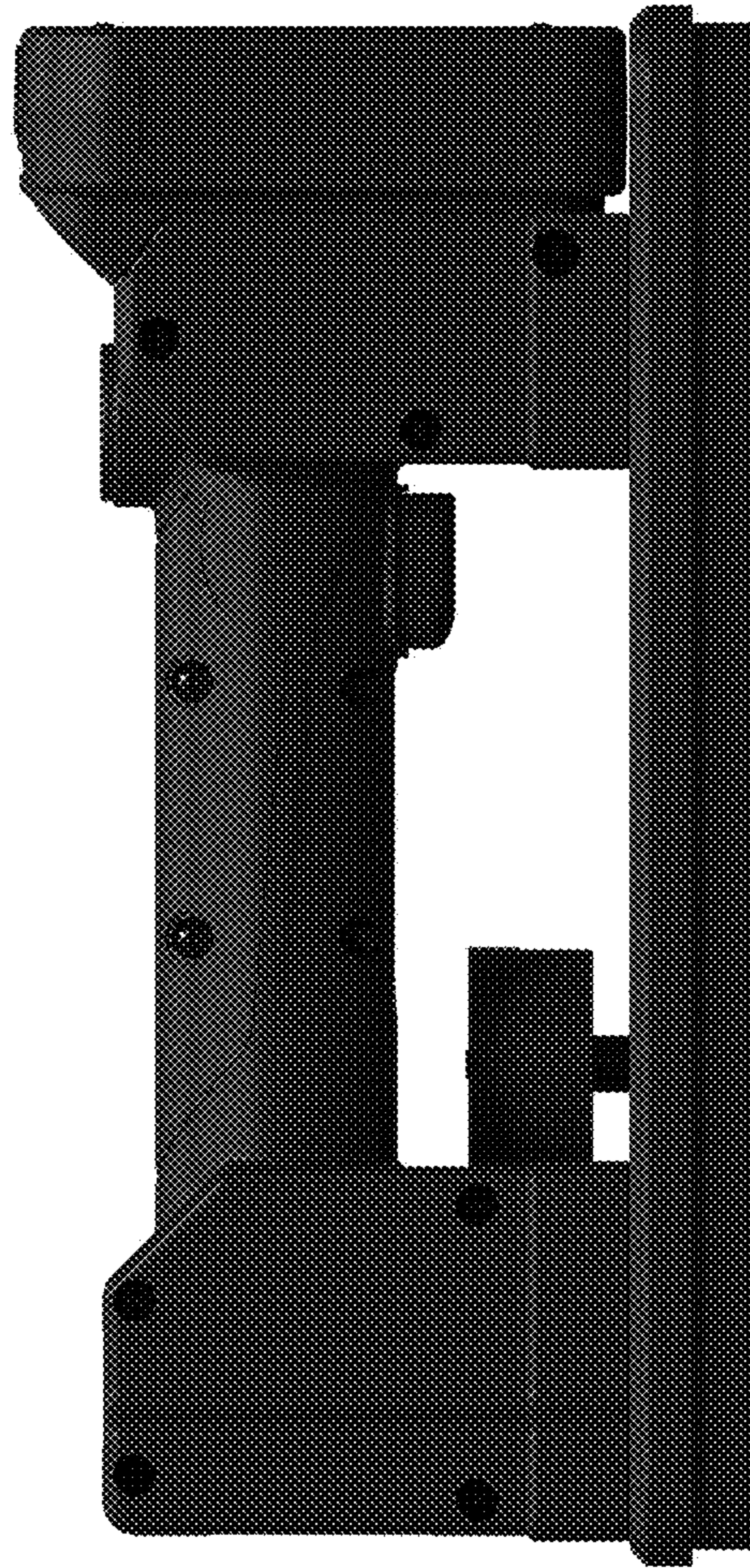


FIG. 4

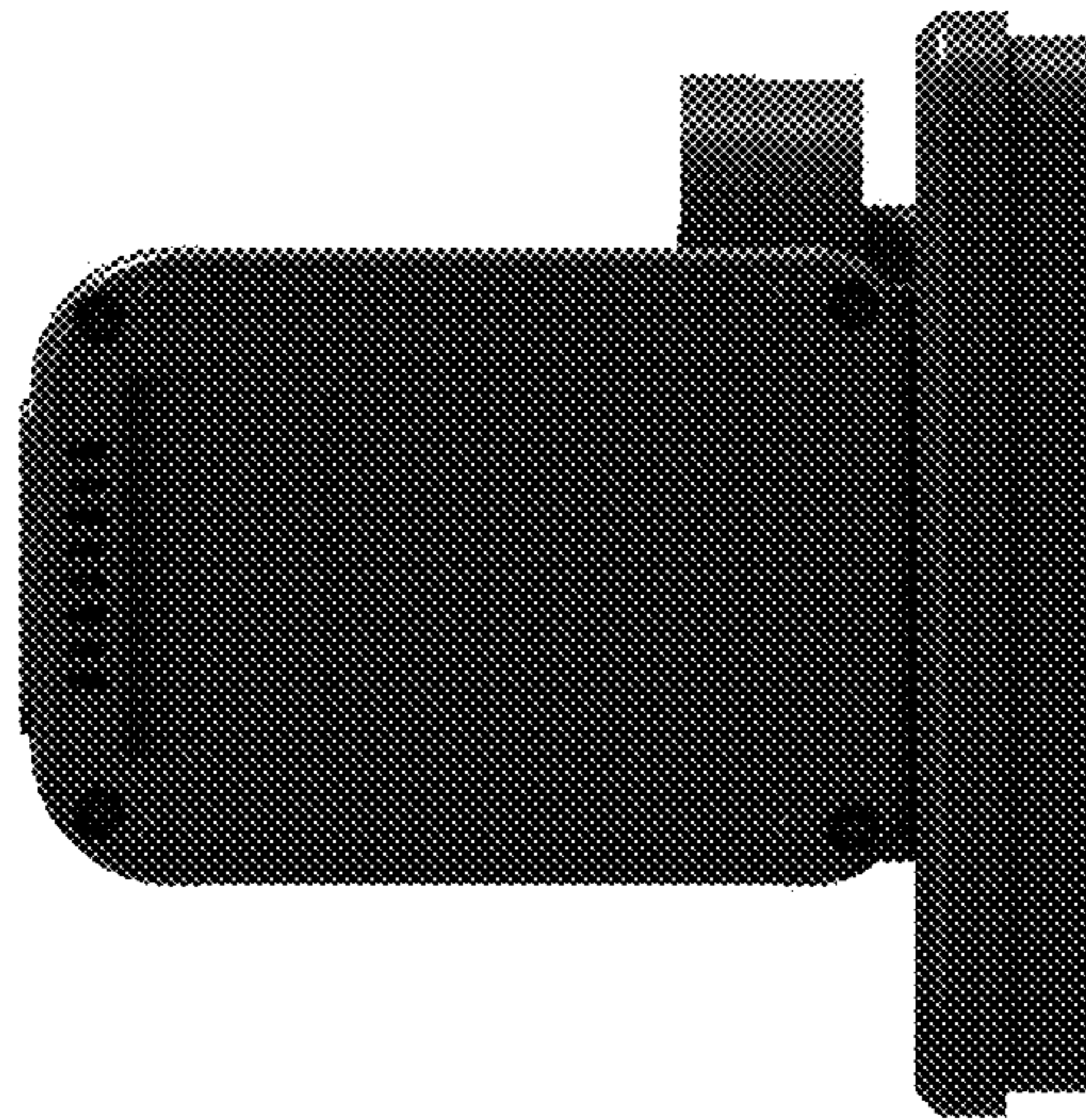


FIG. 5

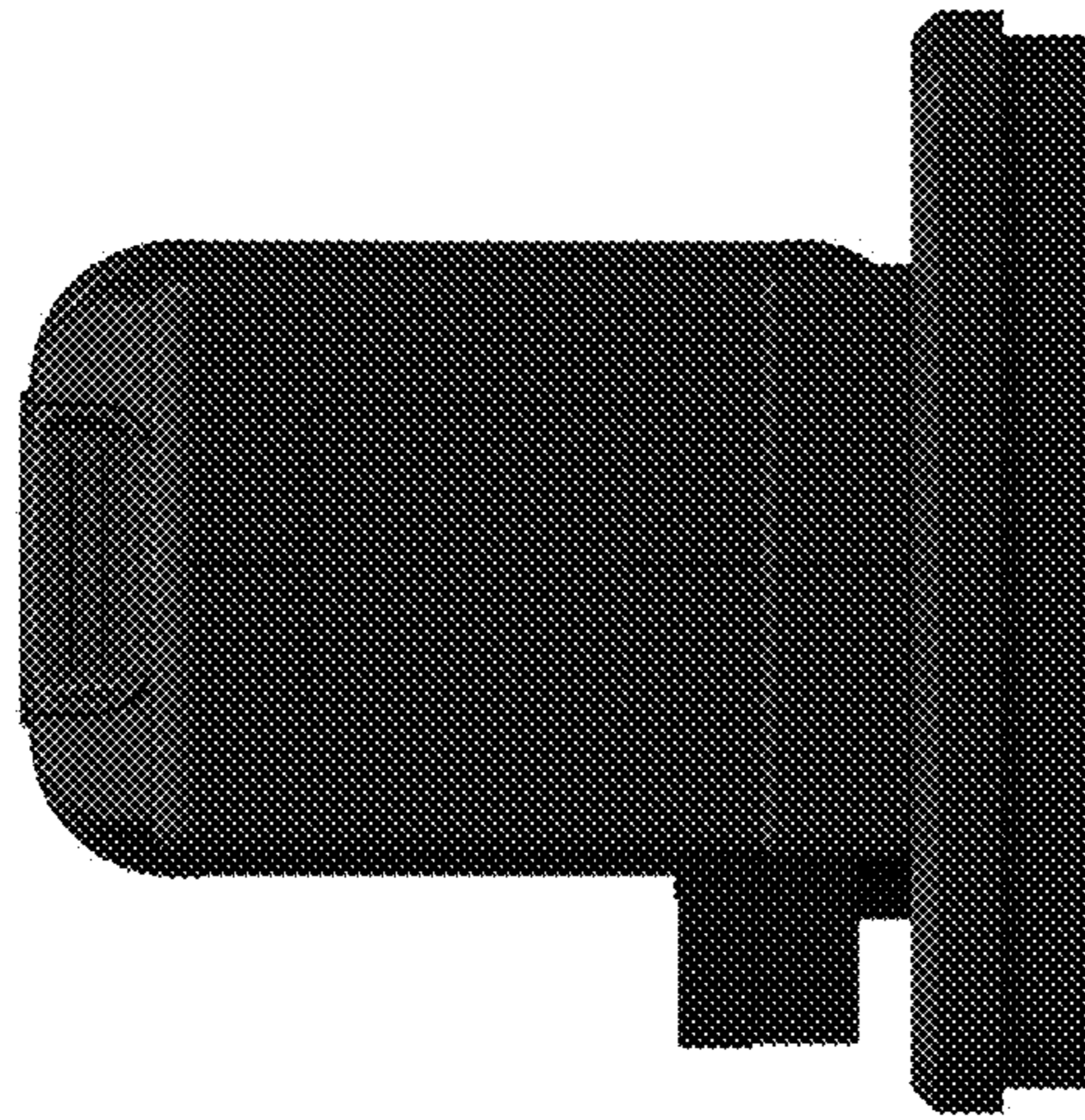


FIG. 6

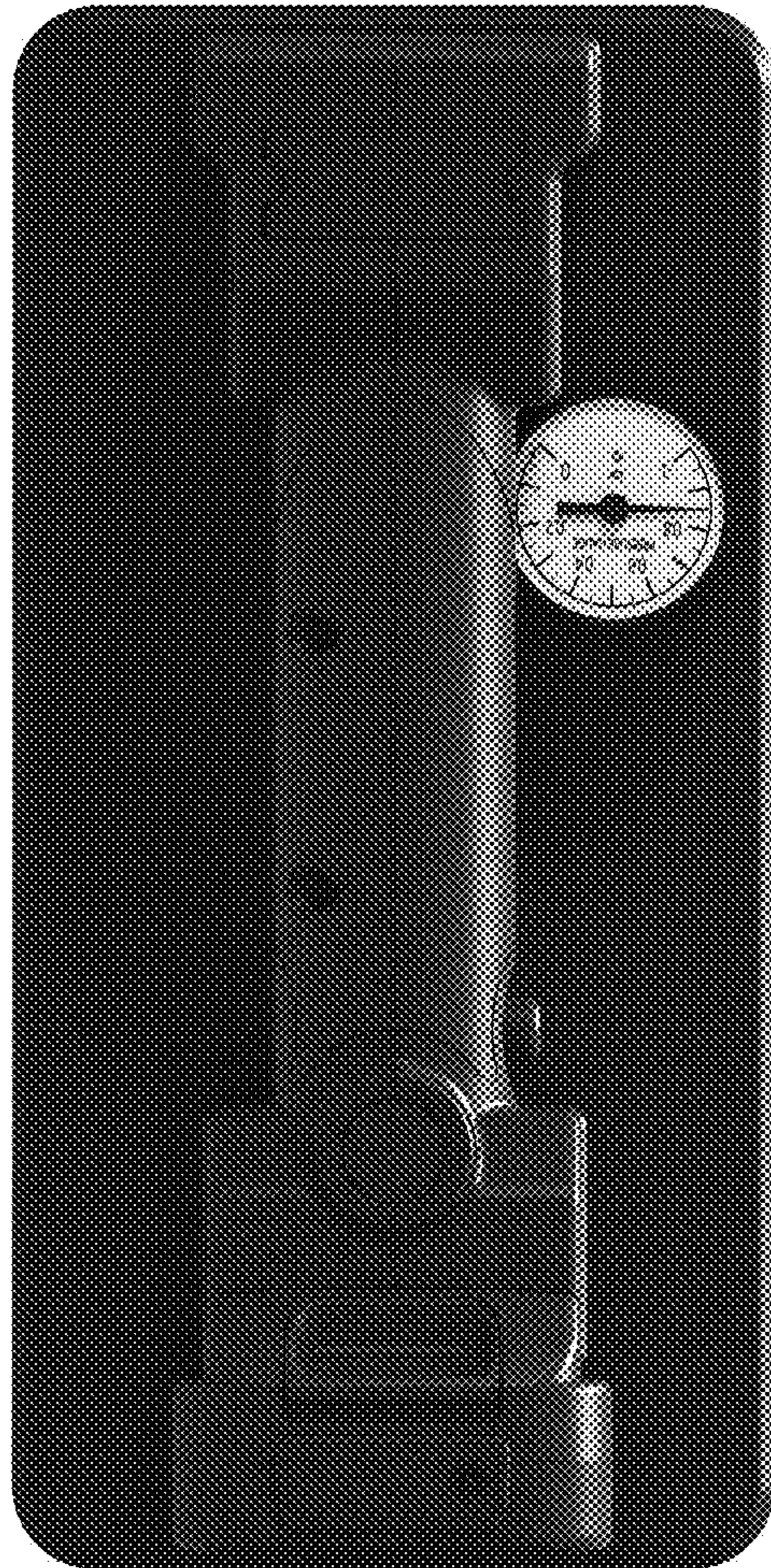


FIG. 7

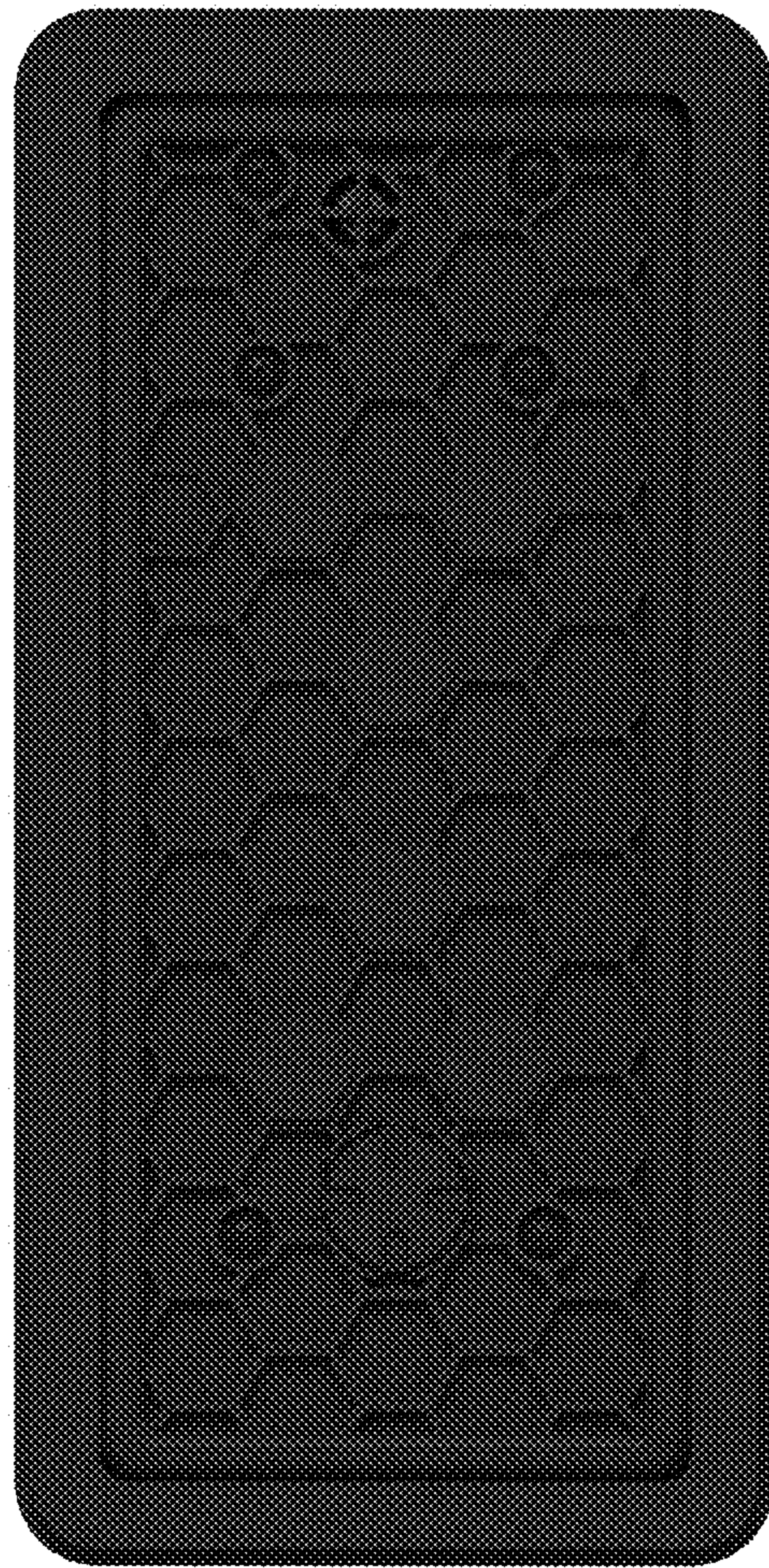


FIG. 8