



US00D984774S

(12) **United States Design Patent**
Wang et al.

(10) **Patent No.:** **US D984,774 S**
(45) **Date of Patent:** **** Apr. 25, 2023**

(54) **COMBINED LIFT VEHICLE OR CHASSIS**

- (71) Applicant: **Terex South Dakota, Inc.**, Watertown, SD (US)
- (72) Inventors: **Kai Wang**, Watertown, SD (US); **Ye Huang**, Watertown, SD (US); **Zachary Samuels Fung**, Watertown, SD (US)
- (73) Assignee: **Terex South Dakota, Inc.**, Watertown, SD (US)

(**) Term: **15 Years**

(21) Appl. No.: **29/728,507**

(22) Filed: **Mar. 19, 2020**

(51) **LOC (14) Cl.** **12-05**

(52) **U.S. Cl.**
USPC **D34/28**

(58) **Field of Classification Search**
USPC D34/28, 32, 33, 31
CPC B66F 17/006; B66F 11/04; B66F 11/044;
B66F 11/042; B66F 7/065; B66F 7/08;
B66B 5/021; B66B 5/0025; E04G 1/22;
A63G 1/44; A63G 31/00; A63G 31/02;
A63G 31/10; A63G 31/14; A63G 31/16
See application file for complete search history.

(56) **References Cited**

U.S. PATENT DOCUMENTS

4,113,065	A *	9/1978	Sikli	B66F 11/042 182/141
4,175,644	A *	11/1979	Sikli	B66F 3/22 182/141
4,375,248	A *	3/1983	Kishi	E04G 1/22 182/141
4,526,344	A *	7/1985	Oswald	B66F 7/065 254/9 C
4,930,598	A *	6/1990	Murrill	B66F 11/042 182/141

(Continued)

OTHER PUBLICATIONS

Prontoaccess.com Dec. 14, 2021, used genie 19 ft electric scissor lift, <https://prontoaccess.com.au/used-access-equipment/product/?752596> (Year: 2021).*

(Continued)

Primary Examiner — Cynthia Ramirez

(74) *Attorney, Agent, or Firm* — Brooks Kushman P.C.

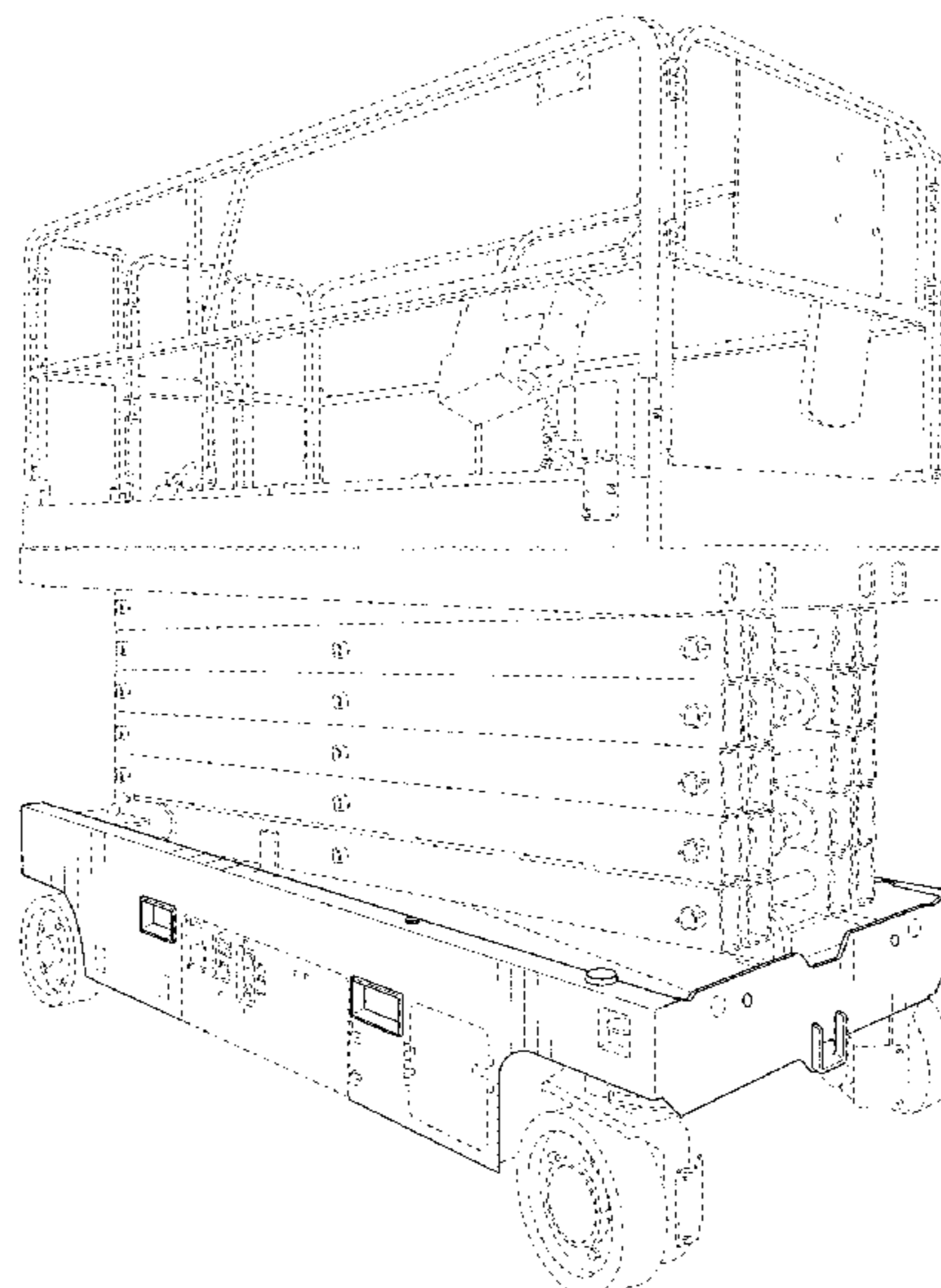
(57) **CLAIM**

The ornamental design for a combined lift vehicle or chassis, as shown and described.

DESCRIPTION

FIG. 1 is a front perspective view of a combined lift vehicle or chassis according to an embodiment;
 FIG. 2 is a rear perspective view of the combined lift vehicle or chassis of FIG. 1;
 FIG. 3 is a right side perspective view of the combined lift vehicle or chassis of FIG. 1;
 FIG. 4 is a left side perspective view of the combined lift vehicle or chassis of FIG. 1;
 FIG. 5 is a rear perspective view of the combined lift vehicle or chassis of FIG. 1;
 FIG. 6 is a front perspective view of the combined lift vehicle or chassis of FIG. 1;
 FIG. 7 is a top front perspective view of combined lift the vehicle or chassis of FIG. 1;
 FIG. 8 is a rear perspective view of the combined lift vehicle or chassis of FIG. 1 in a second position, according to an embodiment; and,
 FIG. 9 is a left perspective view of the combined lift vehicle or chassis of FIG. 1 in the second position.
 The broken lines shown in the figures are for the purpose of illustrating portions of the combined lift vehicle or chassis and form no part of the claimed design.

1 Claim, 9 Drawing Sheets



(56)

References Cited

U.S. PATENT DOCUMENTS

5,211,259 A * 5/1993 Kishi B66F 11/046
182/2.11
5,390,760 A * 2/1995 Murphy B66F 3/22
182/113
5,431,247 A * 7/1995 Kishi B66F 11/042
182/141
6,561,546 B2 * 5/2003 Puskiewicz B66F 17/003
212/196
6,571,913 B2 * 6/2003 Puskiewicz B66F 9/06
182/69.1
8,267,222 B2 * 9/2012 Cui B66F 11/042
182/69.5
8,505,684 B1 * 8/2013 Bogue B66F 11/042
182/19
D767,237 S * 9/2016 Mock D34/35
D787,771 S * 5/2017 Shugen D34/28
D844,278 S * 3/2019 Iotti D34/28
D856,623 S * 8/2019 Jilbert D34/28
D859,773 S * 9/2019 Beamish D34/28
10,946,296 B1 * 3/2021 Girlya A63G 31/14
11,215,495 B2 * 1/2022 Bafile G01G 19/083
2004/0045768 A1 * 3/2004 Puskiewicz B66F 17/006
182/69.5
2007/0187184 A1 * 8/2007 Nasuti B66F 11/042
187/269
2013/0075203 A1 * 3/2013 Sayles B66F 11/04
187/390
2014/0231733 A1 * 8/2014 Hoffman F15B 15/261
254/93 R
2015/0144426 A1 * 5/2015 Hao B66F 11/04
182/113
2017/0233232 A1 * 8/2017 Davis B66F 11/042
182/69.5
2018/0022591 A1 * 1/2018 Xu B66F 9/07568
182/69.5
2018/0057333 A1 * 3/2018 Gale B66F 17/006
2018/0162708 A1 * 6/2018 Pithoud B66F 11/042
2020/0003607 A1 * 1/2020 Bafile B66F 17/006
2020/0095105 A1 * 3/2020 Yutzy B66F 11/042

2020/0189892 A1 * 6/2020 Huddleston E06C 9/08
2020/0317489 A1 * 10/2020 Bhatia B66F 11/042
2020/0317492 A1 * 10/2020 Bhatia B66F 11/042
2020/0399107 A1 * 12/2020 Buege B66F 11/042
2021/0139303 A1 * 5/2021 Rosencrance B66F 11/042
2021/0188609 A1 * 6/2021 Donaldson H03K 17/97
2021/0276849 A1 * 9/2021 Shafer B66F 11/04
2021/0278042 A1 * 9/2021 Liang E05C 3/044
2021/0284513 A1 * 9/2021 Nuehring B66F 17/006
2021/0292148 A1 * 9/2021 Gale B66F 11/042
2022/0119237 A1 * 4/2022 Eisler B08B 15/00
2022/0136264 A1 * 5/2022 Peterson E04G 1/22
182/141
2022/0144612 A1 * 5/2022 Xu B66F 13/00
2022/0281730 A1 * 9/2022 Masuda B66F 17/006

OTHER PUBLICATIONS

Alibaba.com Dec. 14, 2021, Manlift self propelled electric battery scissor lift work platform, https://www.alibaba.com/product-detail/Manlift-self-propelled-hydraulic-Electric-Battery_62305946978.html (Year: 2021).*

WDMatthews.com Dec. 14, 2021, Genie GS-3246 Scissor lift, <https://www.wdmatthews.com/product/genie-gs-3246-scissor-lift/> (Year: 2021).*

Webstaurantstore.com Dec. 14, 2021, Ballymore DSL-32 Battery Operated drivable compact scissor lift with 36" roll-out platform, <https://www.webstaurantstore.com/ballymore-dsl-32-44-x-90-battery-powered-drivable-compact-scissor-lift-with-36-roll-out-cantilevered-platform> (Year: 2021).*

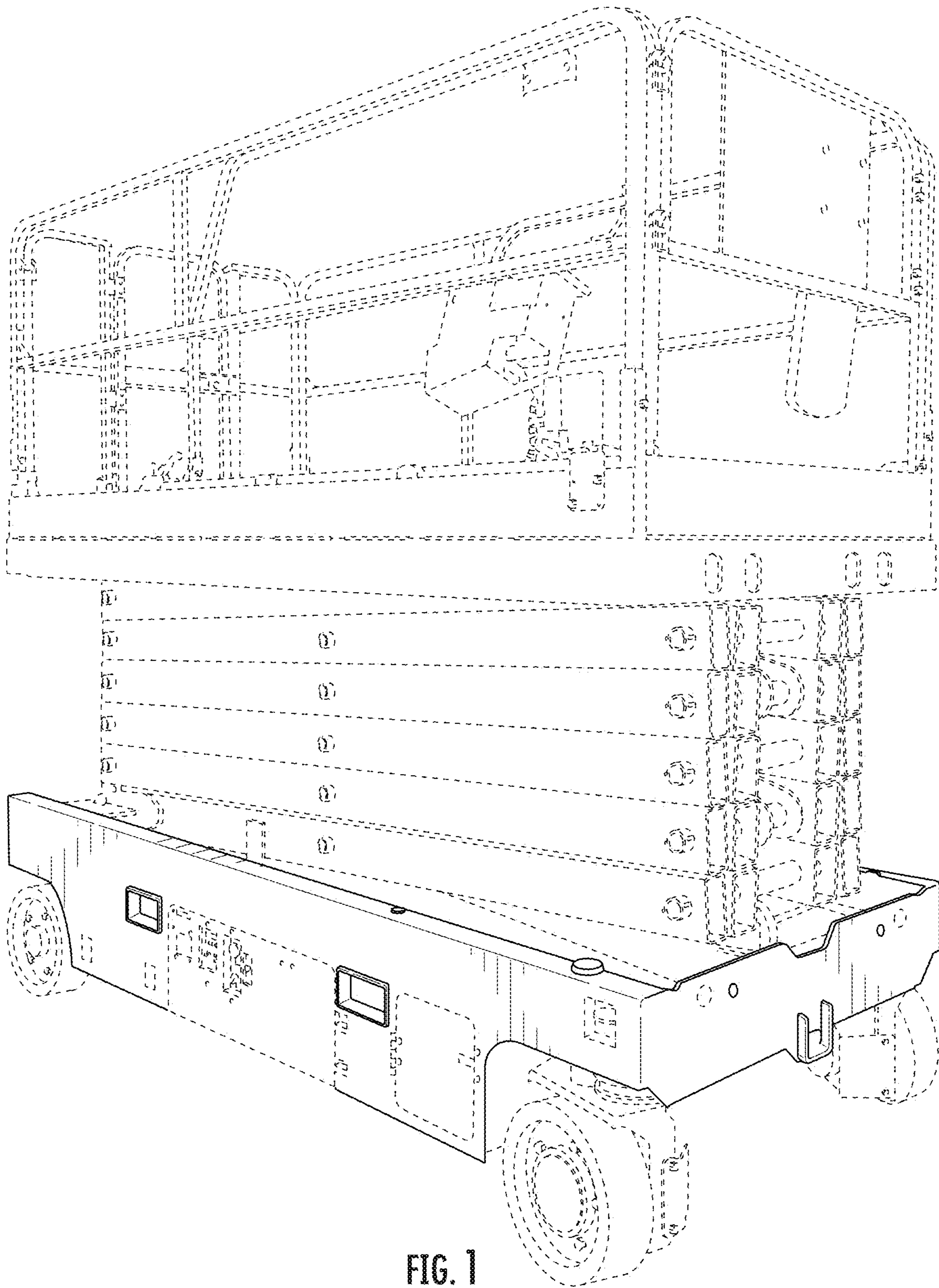
Scissorliftsmanufacturer.com Dec. 14, 2021, Scissor Man lift, <https://www.scissorliftsmanufacturer.com/scissor-man-lift/> (Year: 2021).*

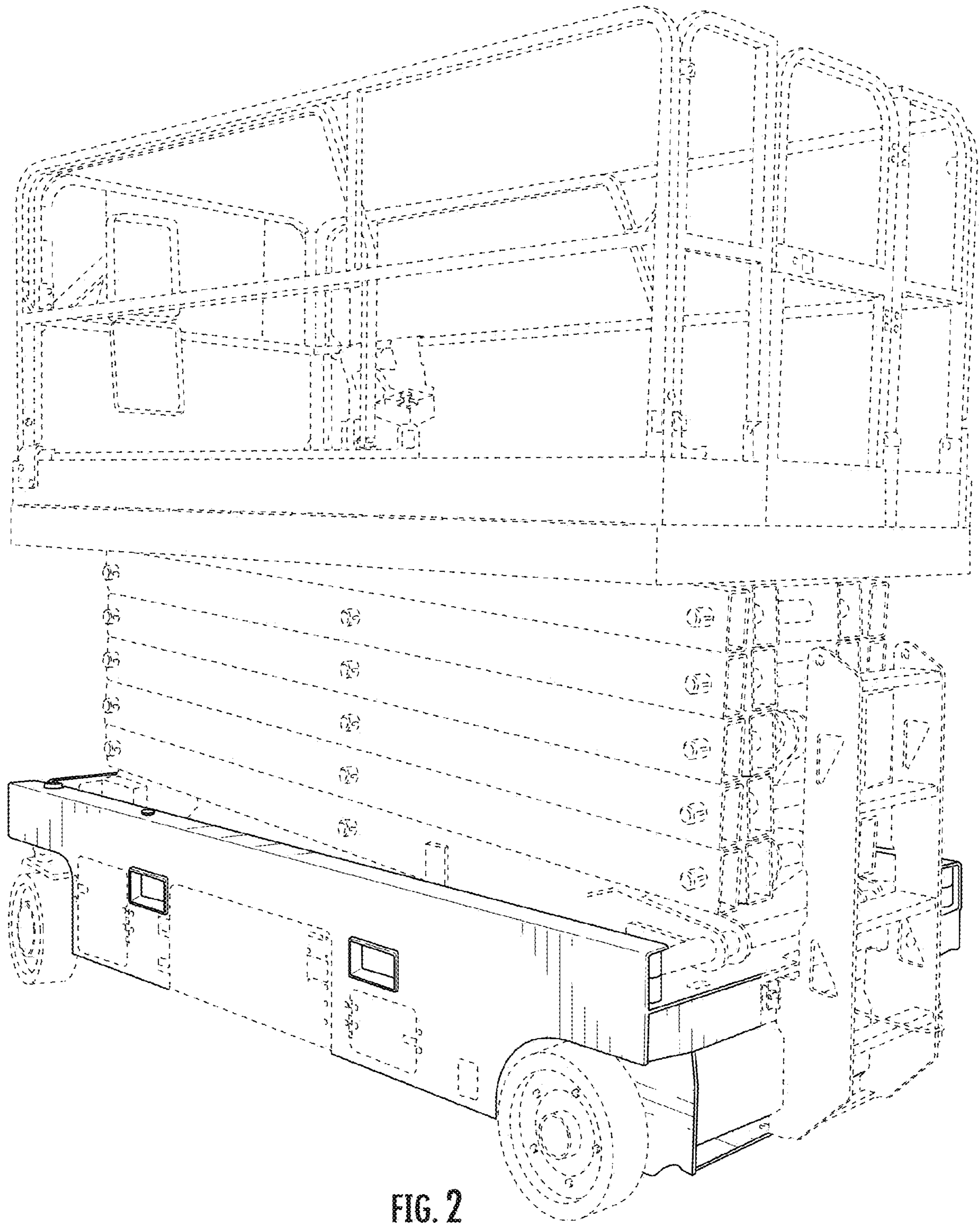
Tavolgroup.com Dec. 14, 2021, 12m Hydraulic Propelled Scissor Man lift platform, <https://www.tavolgroup.com/12m-Hydraulic-Self-Propelled-Scissor-Man-Lift-Platform-pd42057676.html> (Year: 2021).*

Images of public disclosure of LGMG AS1413E at Apex Shanghai Trade Show on or around Oct. 23, 2019, 3 pages.

Yess Release, Genie, "New High-Reach Genie® GS™-4655 Slab Scissor Lift To Launch At Bauma", Mar. 20, 2019, 2 pages.

* cited by examiner





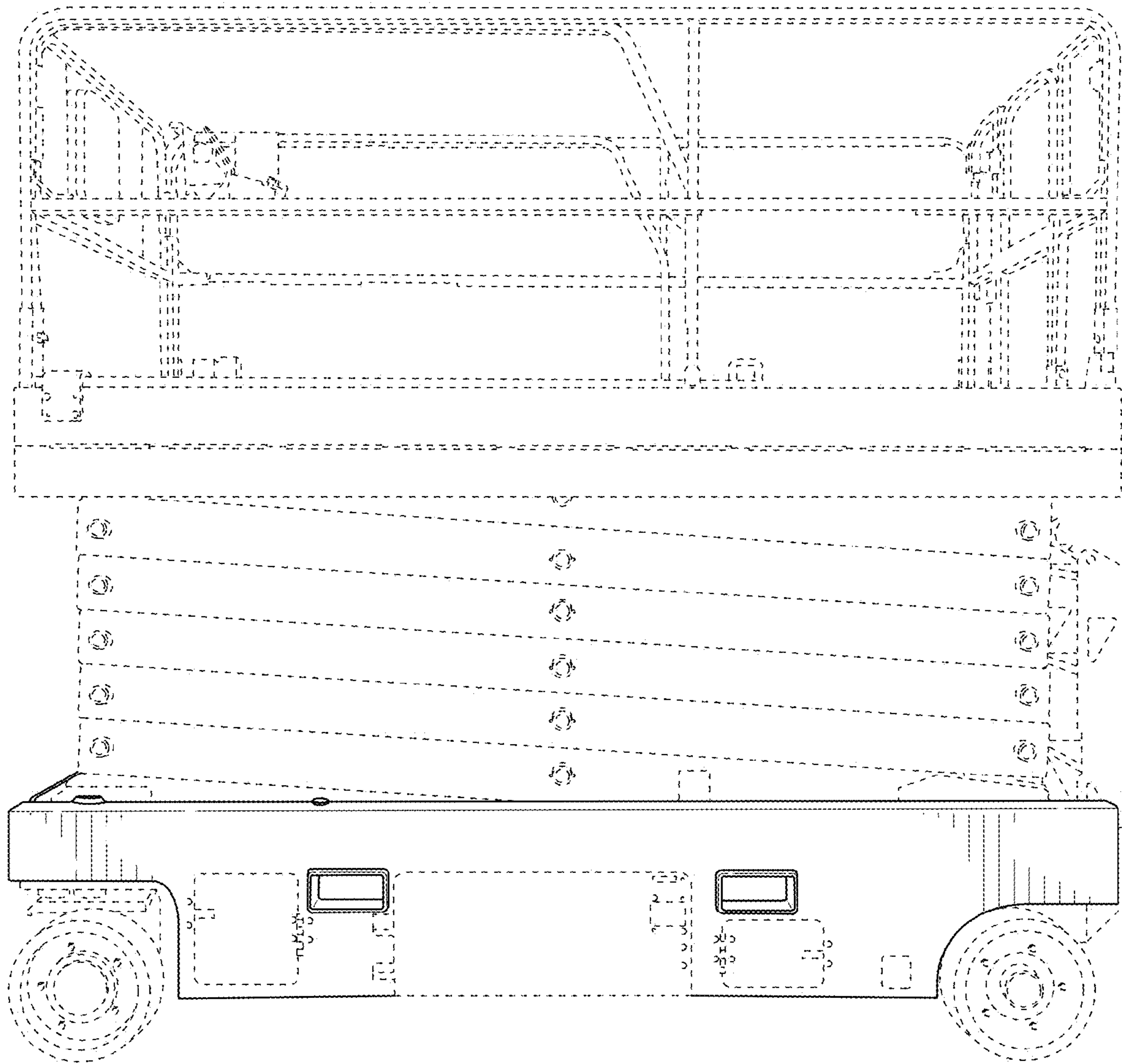


FIG. 3

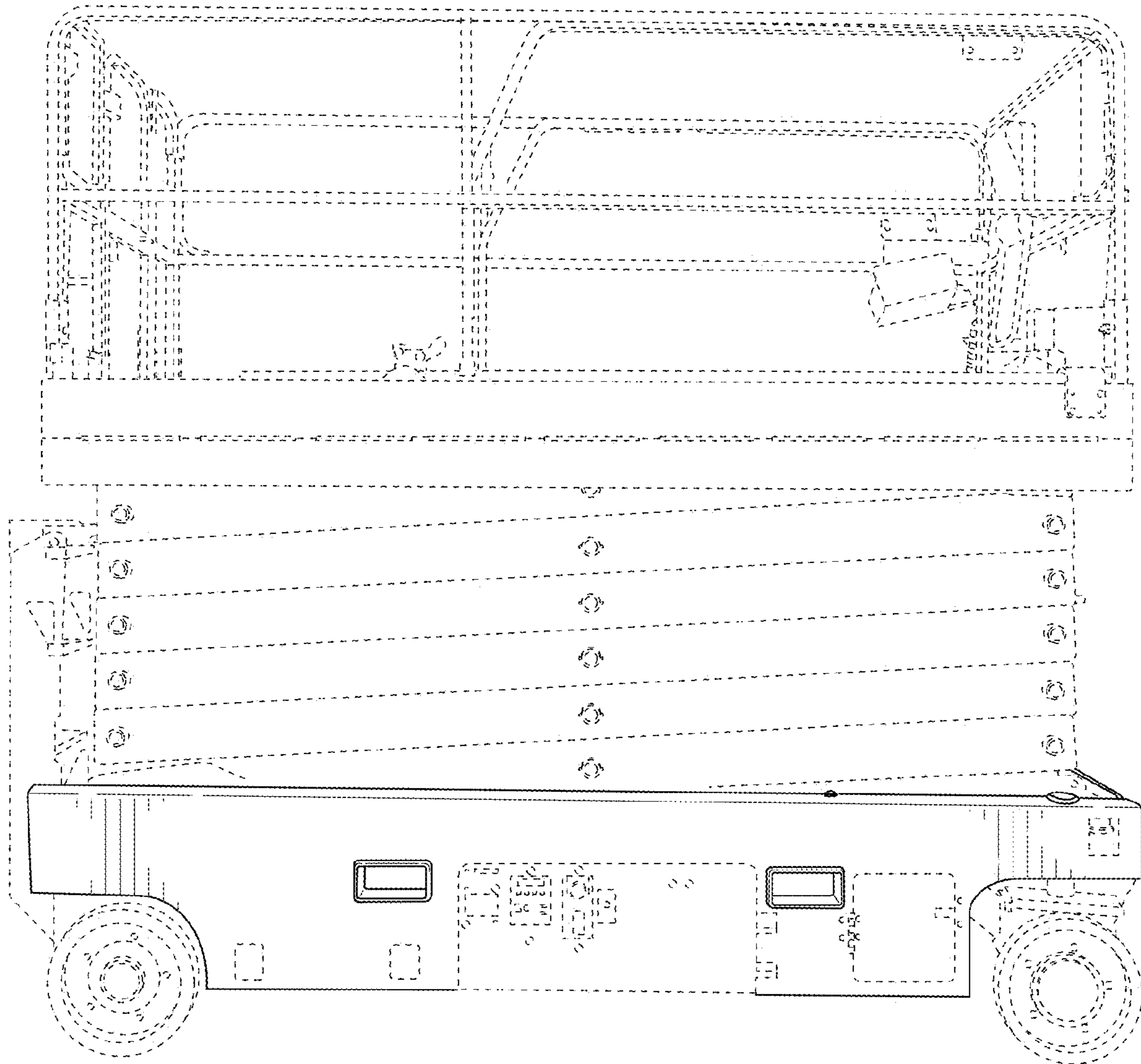


FIG. 4

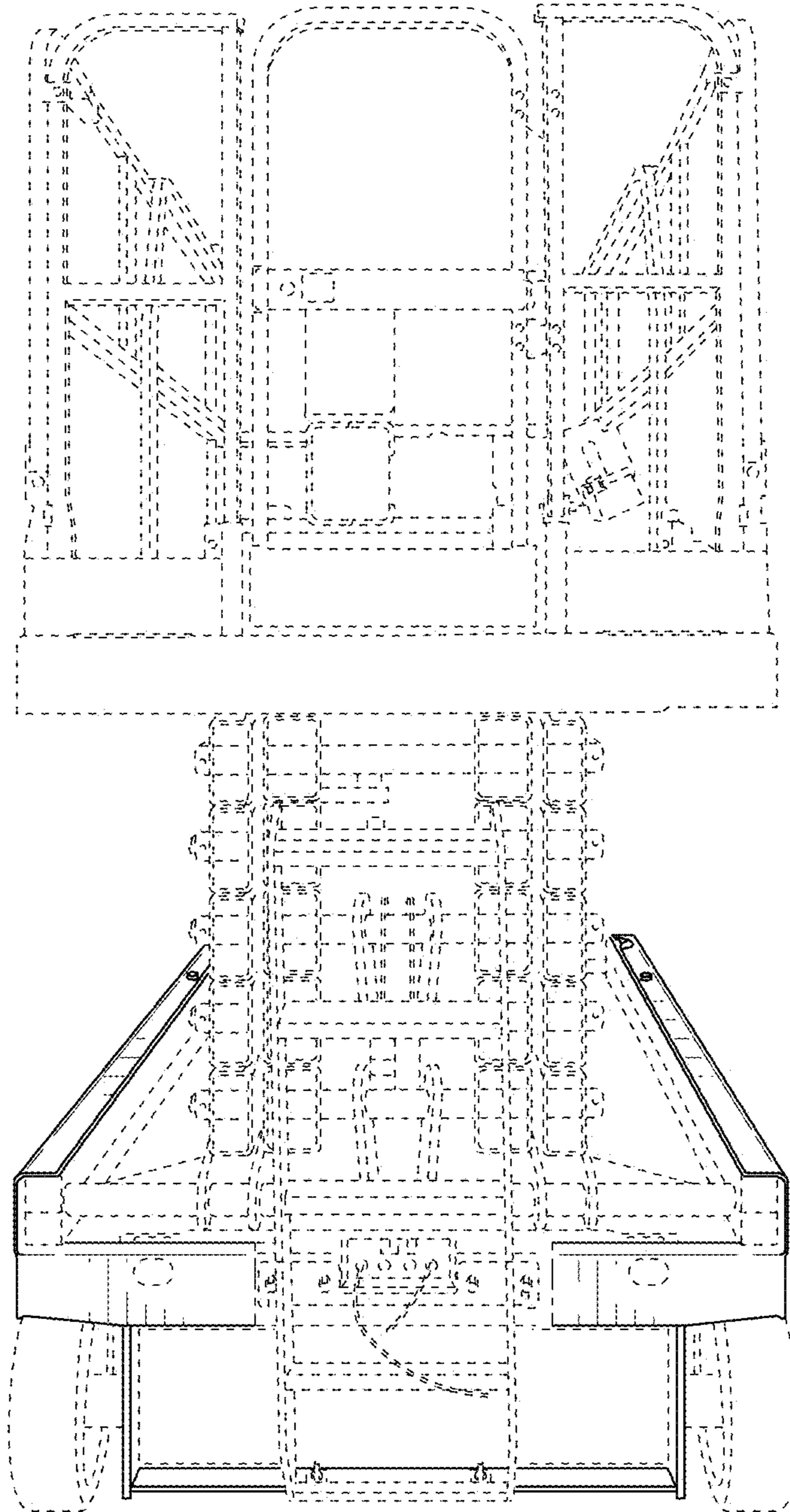


FIG. 5

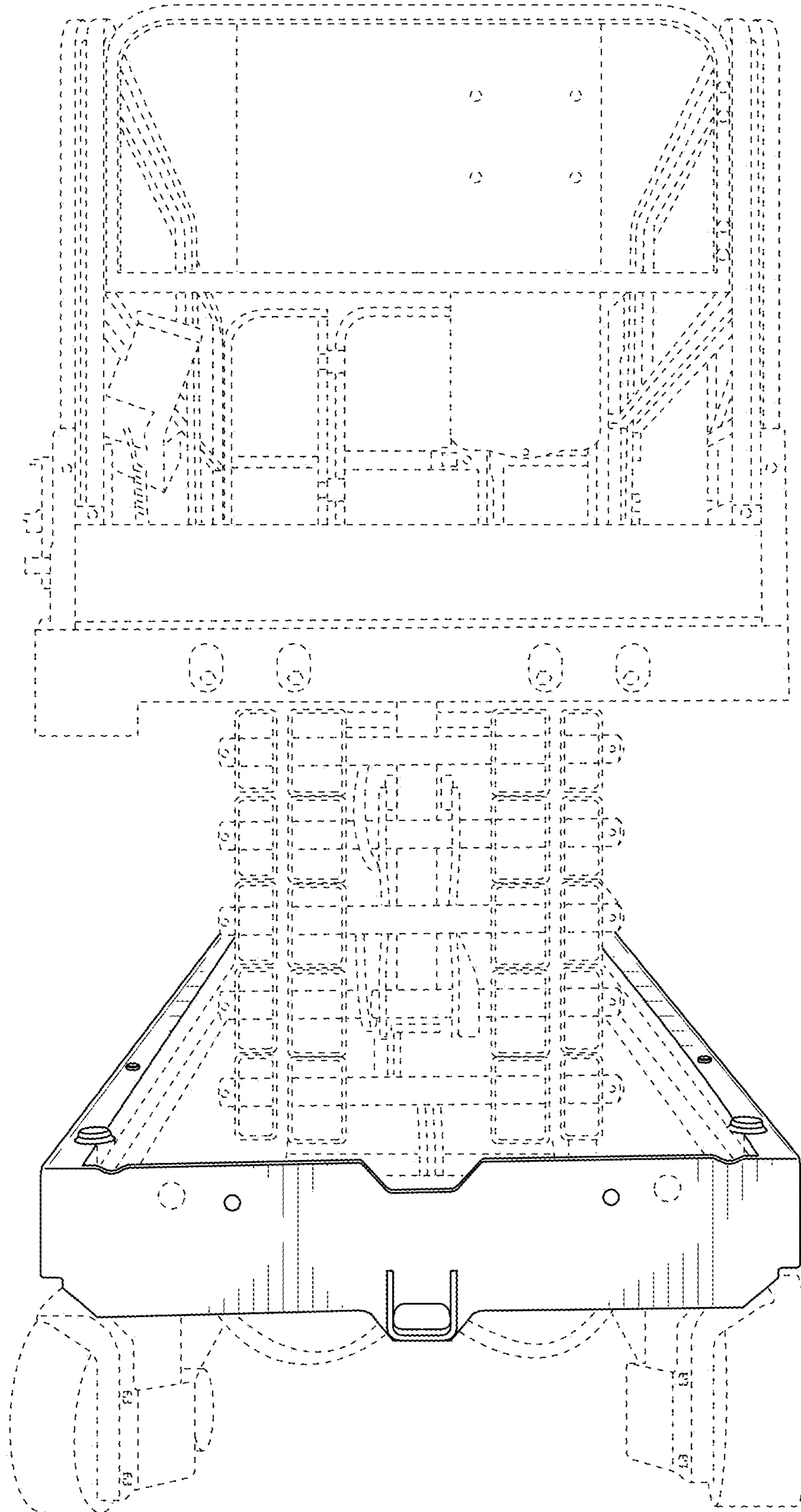


FIG. 6

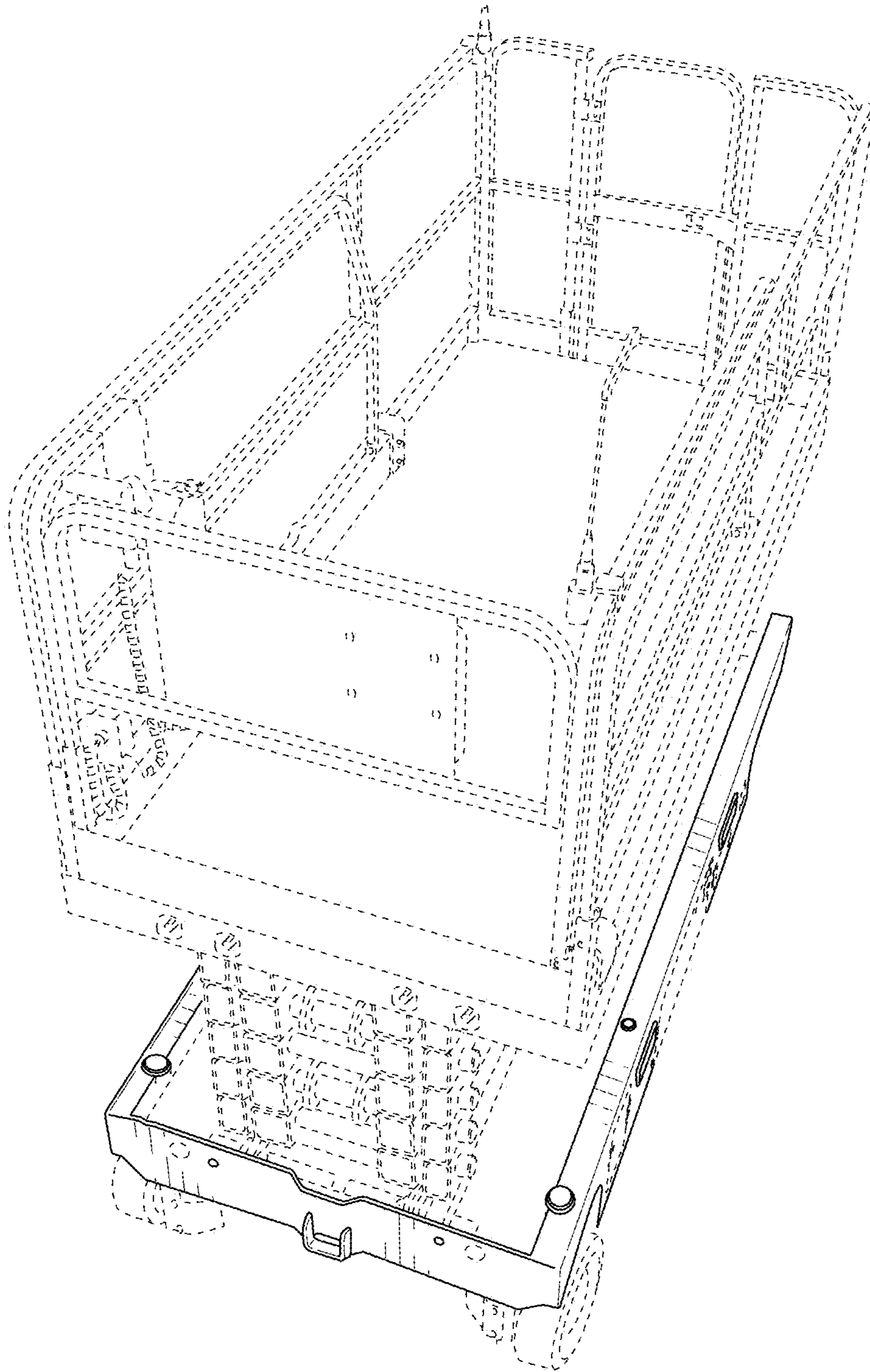


FIG. 7

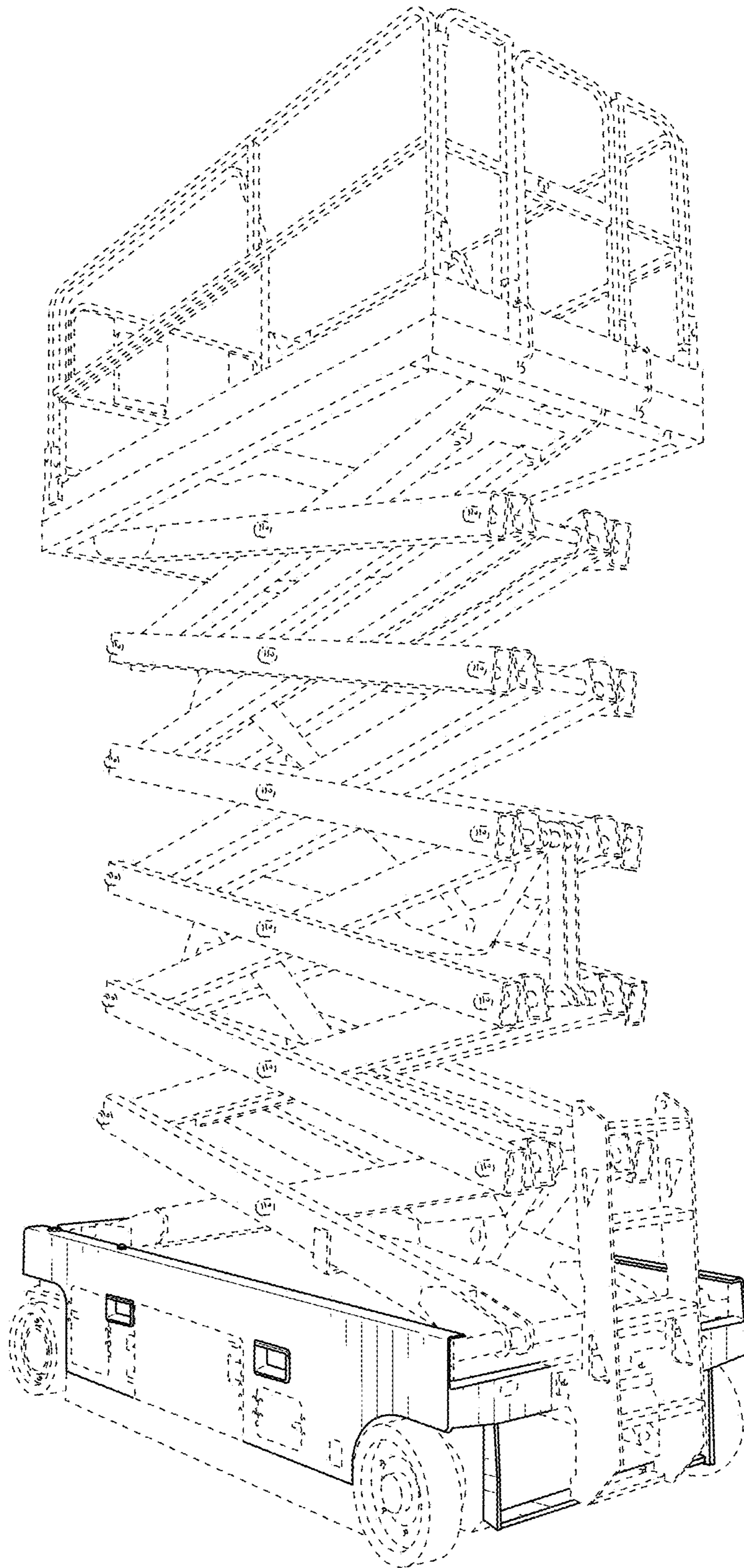


FIG. 8

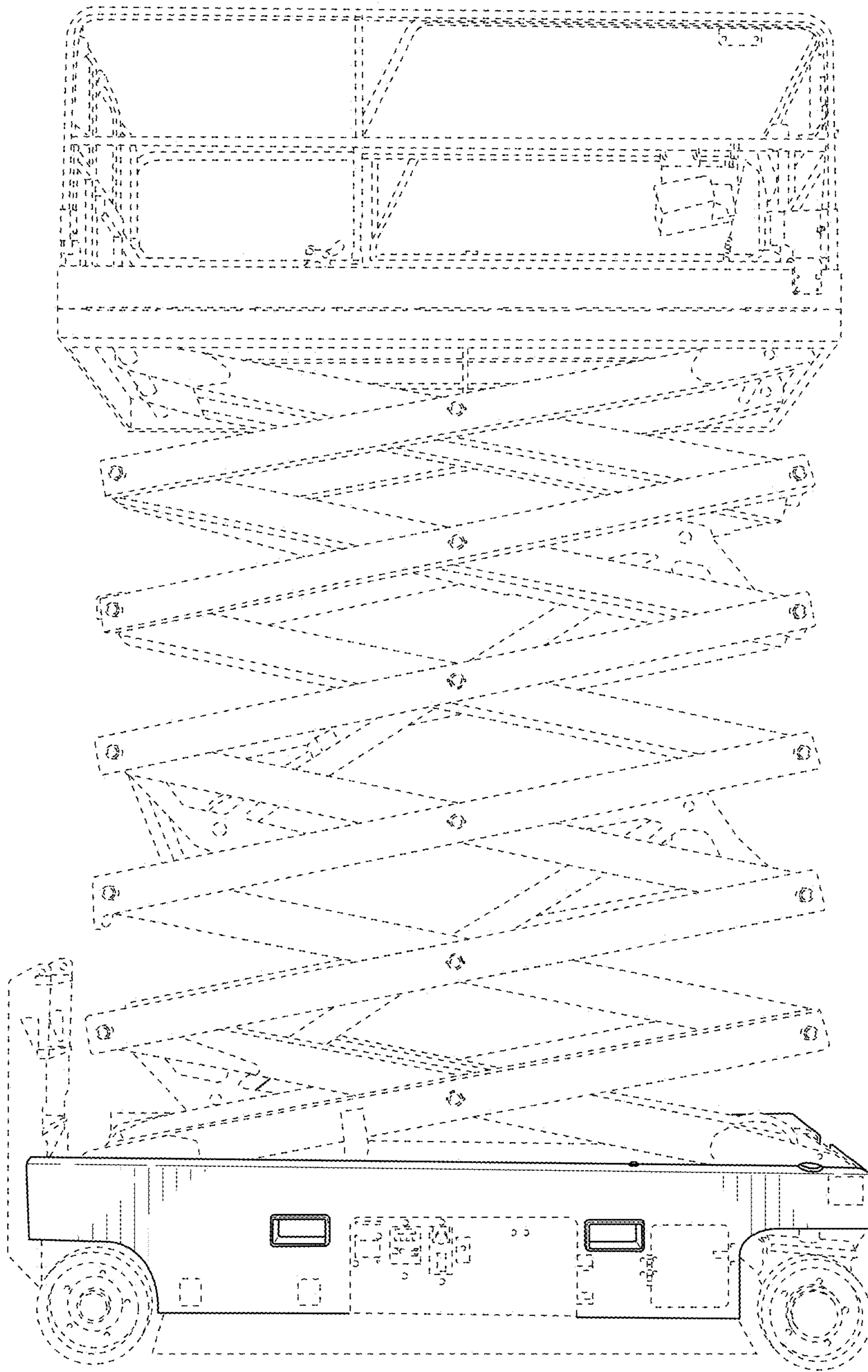


FIG. 9