



US00D984771S

(12) **United States Design Patent**  
**Gu**

(10) **Patent No.:** **US D984,771 S**  
(45) **Date of Patent:** **\*\* Apr. 25, 2023**

(54) **HOT TUB OIL ABSORBING SPONGE**

(71) Applicant: **Feifan Gu**, Jiangsu (CN)

(72) Inventor: **Feifan Gu**, Jiangsu (CN)

(\*) Notice: Patent file contains an affidavit/declaration under 37 CFR 1.130(b).

(\*\*) Term: **15 Years**

(21) Appl. No.: **29/858,793**

(22) Filed: **Nov. 3, 2022**

(51) **LOC (14) Cl.** ..... **07-05**

(52) **U.S. Cl.**  
USPC ..... **D32/40**

(58) **Field of Classification Search**  
USPC ..... D3/201, 272-274; D4/127, 130, 133, D4/199; D32/40-43  
CPC ..... A47K 7/02; A47L 13/16; A47L 13/10; B65D 43/02; A47F 7/08  
See application file for complete search history.

(56) **References Cited**

**U.S. PATENT DOCUMENTS**

D416,654 S *	11/1999	Haynes	.....	D28/63
D431,187 S *	9/2000	Davis	.....	D11/131
D449,981 S *	11/2001	Davis	.....	D9/669
D462,483 S *	9/2002	Campbell	.....	D28/63
D520,212 S *	5/2006	Jackman	.....	D1/111
D584,554 S *	1/2009	Brown	.....	D21/597
D593,323 S *	6/2009	Kaspor	.....	D21/627
D640,026 S *	6/2011	Soegaard	.....	D32/43
D650,963 S *	12/2011	Roberson	.....	D99/5
D659,325 S *	5/2012	Davis	.....	D32/43
D659,329 S *	5/2012	Davis	.....	D32/43
D690,892 S *	10/2013	Krause	.....	D32/40
D730,566 S *	5/2015	Johnson	.....	D26/98
D768,947 S	10/2016	Mantelli		

D771,899 S *	11/2016	Wehling	.....	D1/127
D822,298 S *	7/2018	Krause	.....	D32/43
D831,967 S *	10/2018	Hofer	.....	D4/124
D873,572 S *	1/2020	Hofer	.....	D4/134
D875,545 S *	2/2020	Bagramyan	.....	D28/8.2
D880,094 S *	3/2020	Romer	.....	D32/40
D922,071 S *	6/2021	Jensen	.....	D9/600
D928,440 S	8/2021	Fultano		
D930,282 S *	9/2021	Shrestha	.....	D30/160
D965,847 S *	10/2022	Ren	.....	D21/597
2014/0075699 A1 *	3/2014	Krause	.....	A47K 7/02 15/209.1
2020/0288882 A1 *	9/2020	Cook	.....	A47F 7/08

**OTHER PUBLICATIONS**

Amazon.com\_ Star Splash [https://www.amazon.com/dp/B0B4PYW3X4/ref=sspa\\_dk\\_detail\\_0](https://www.amazon.com/dp/B0B4PYW3X4/ref=sspa_dk_detail_0) (Year: 2022).\*

\* cited by examiner

*Primary Examiner* — Kevin K Rudzinski  
*Assistant Examiner* — Richard E Yenchesky

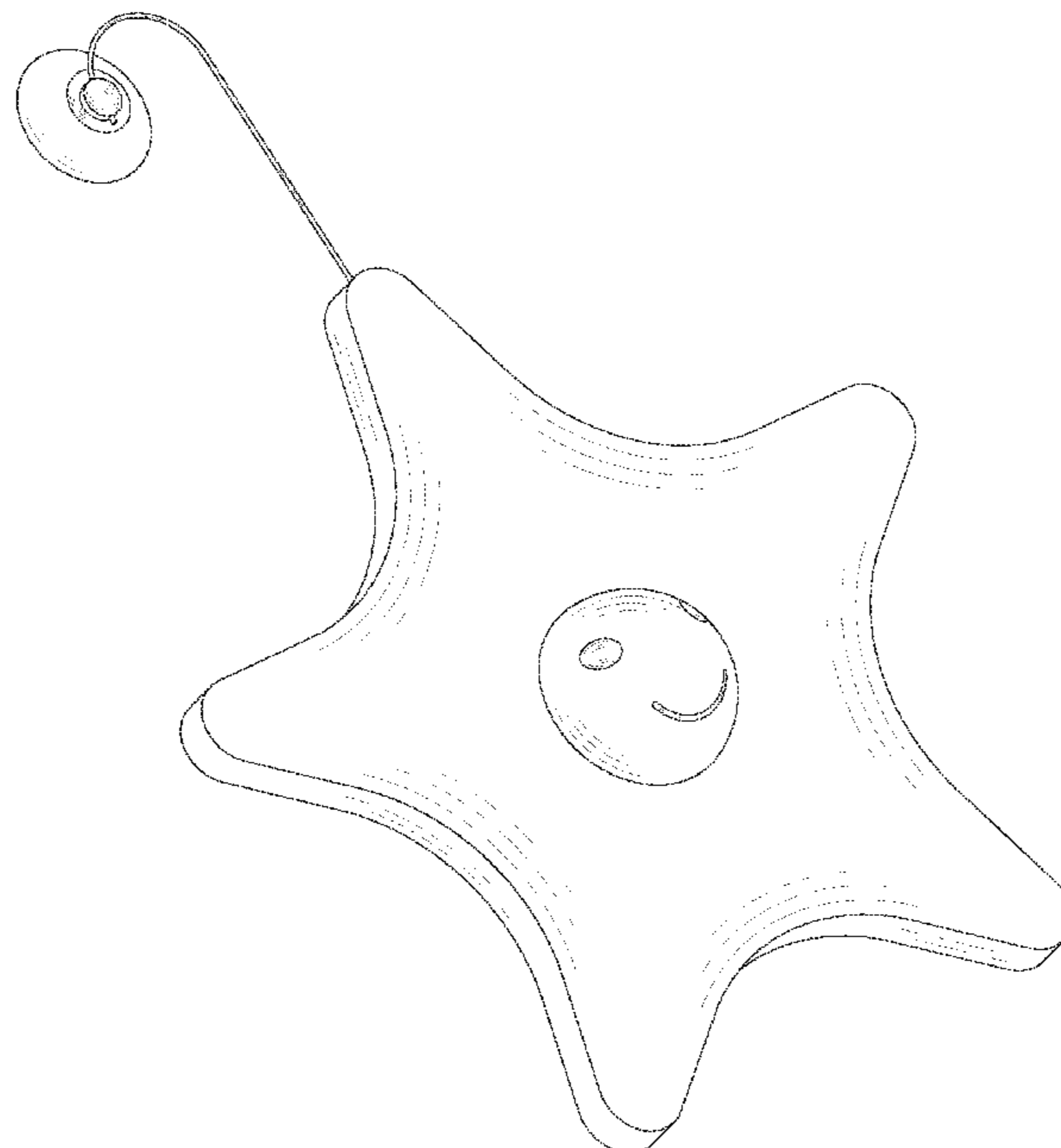
(57) **CLAIM**

The ornamental design for a hot tub oil absorbing sponge, as shown and described.

**DESCRIPTION**

FIG. 1 is a top, front and left side perspective view of a hot tub oil absorbing sponge, showing my new design; FIG. 2 is a top, back and right side perspective view thereof; FIG. 3 is a front elevational view thereof; FIG. 4 is a back elevational view thereof; FIG. 5 is a left side elevational view thereof; FIG. 6 is a right side elevational view thereof; FIG. 7 is a top plan view thereof; and, FIG. 8 is a bottom plan view thereof.

**1 Claim, 8 Drawing Sheets**



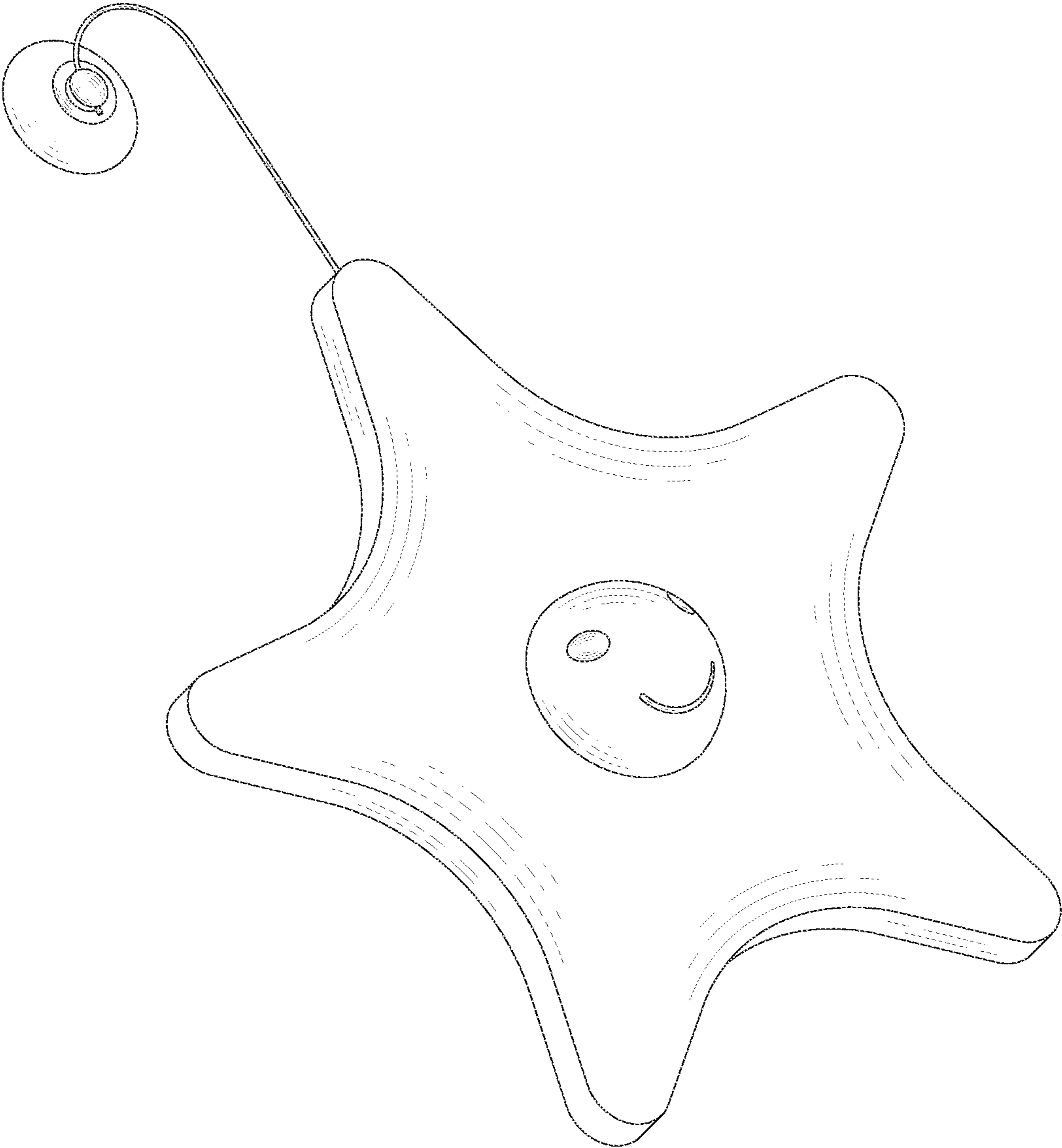


FIG. 1

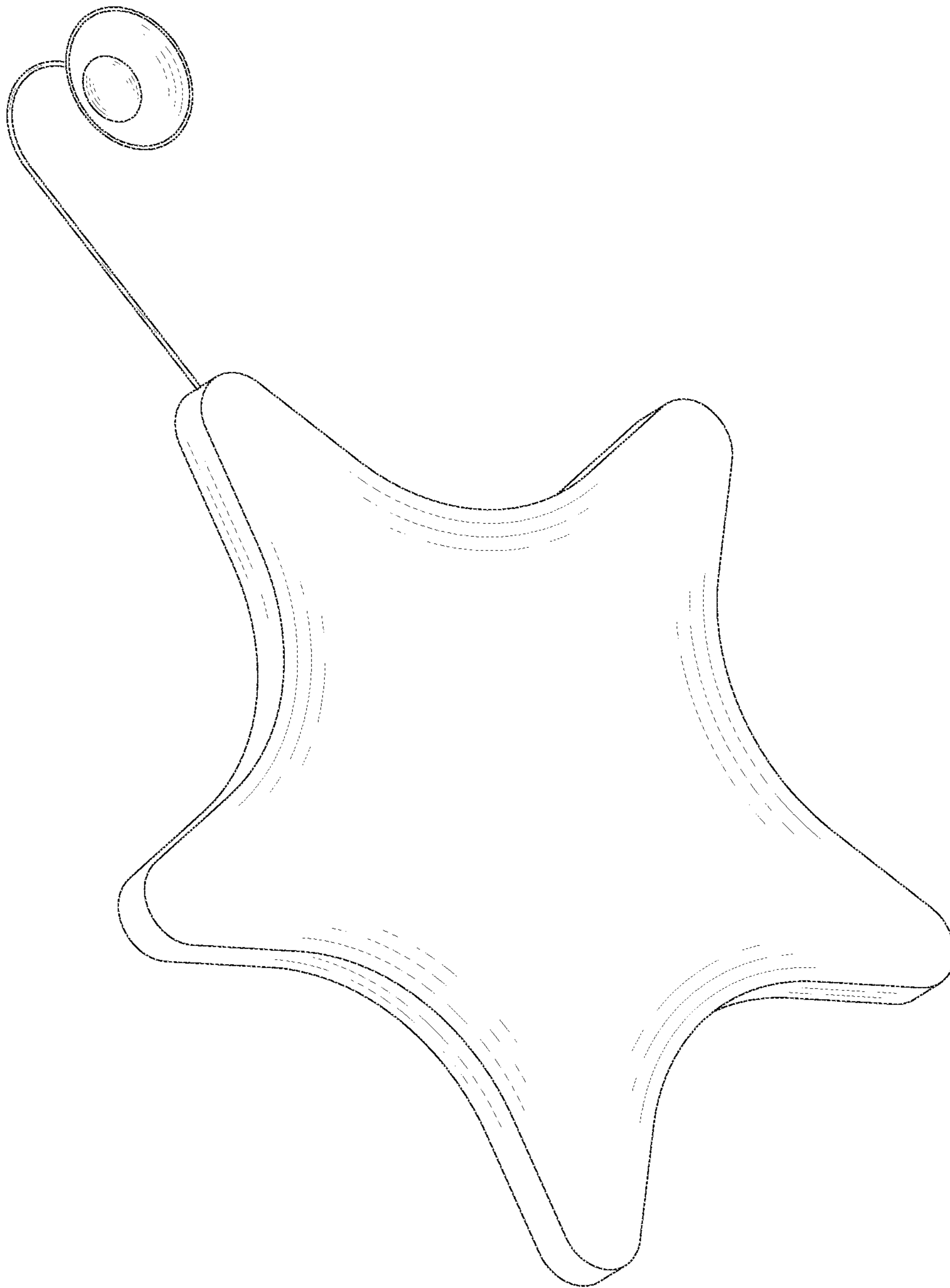


FIG. 2

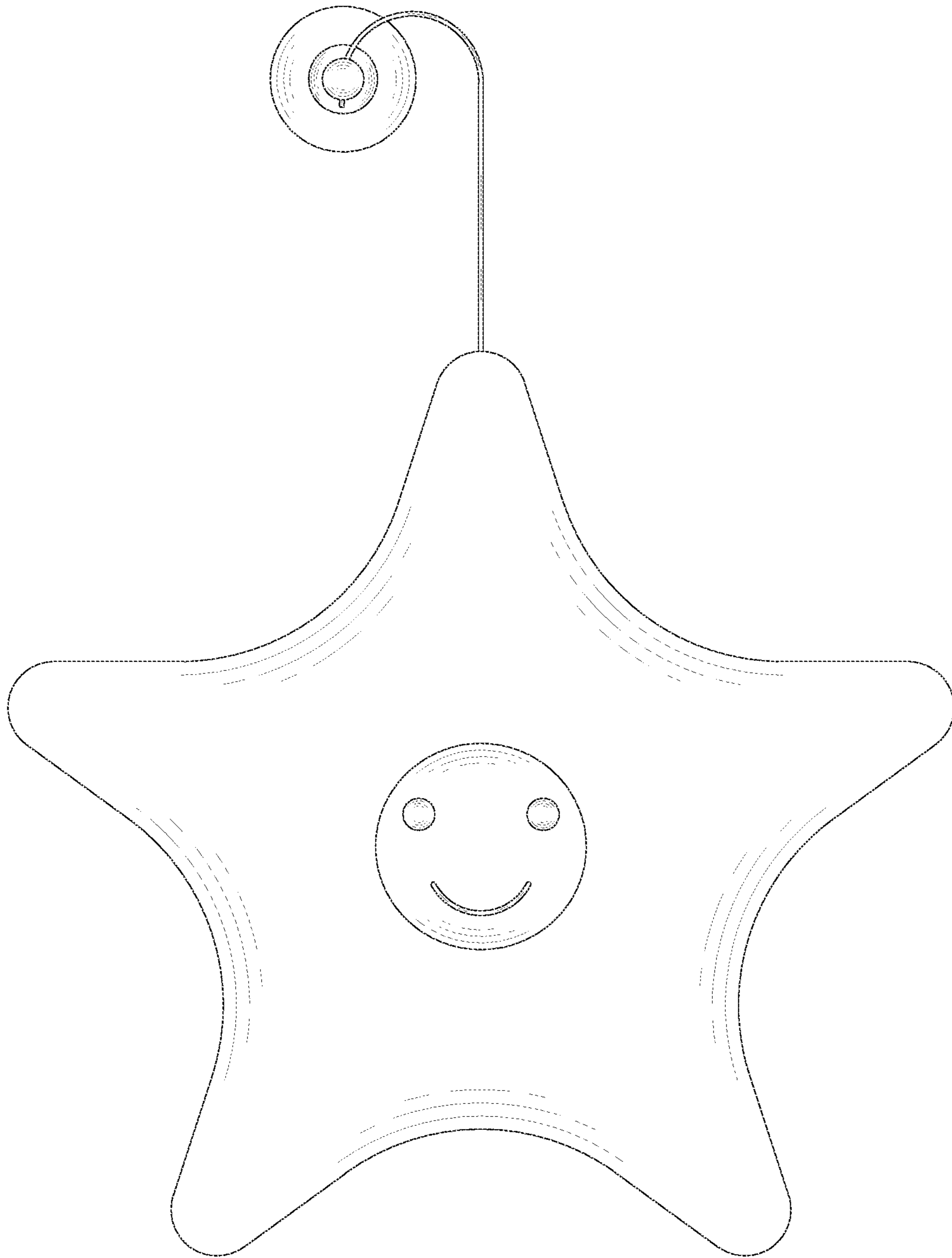


FIG. 3

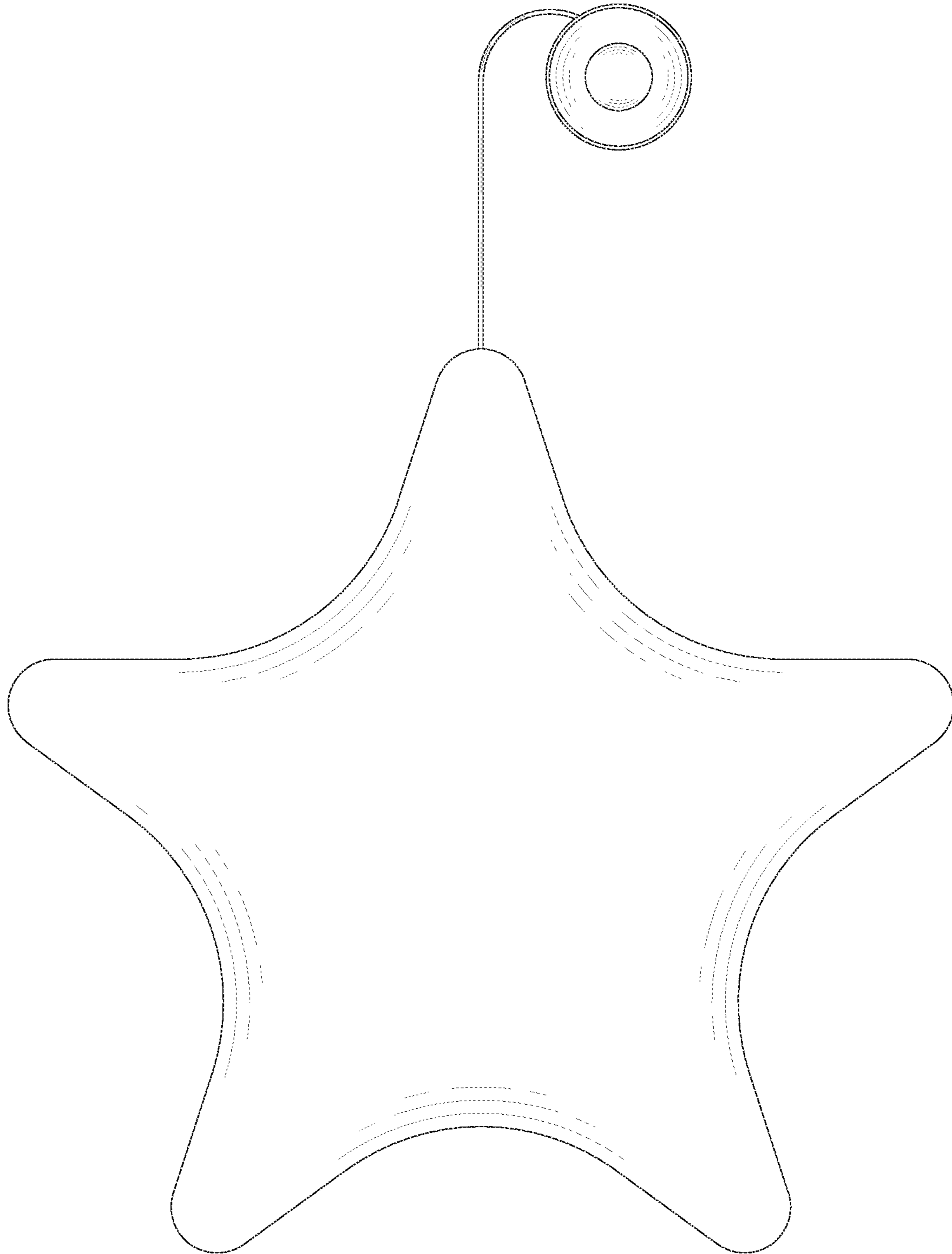


FIG. 4

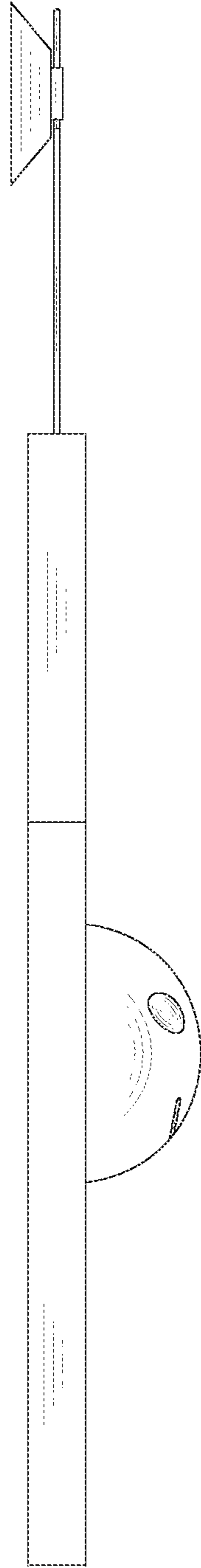


FIG. 5

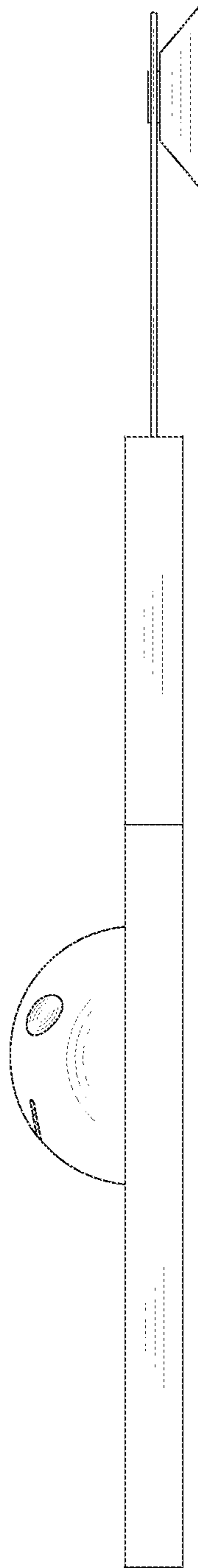


FIG. 6

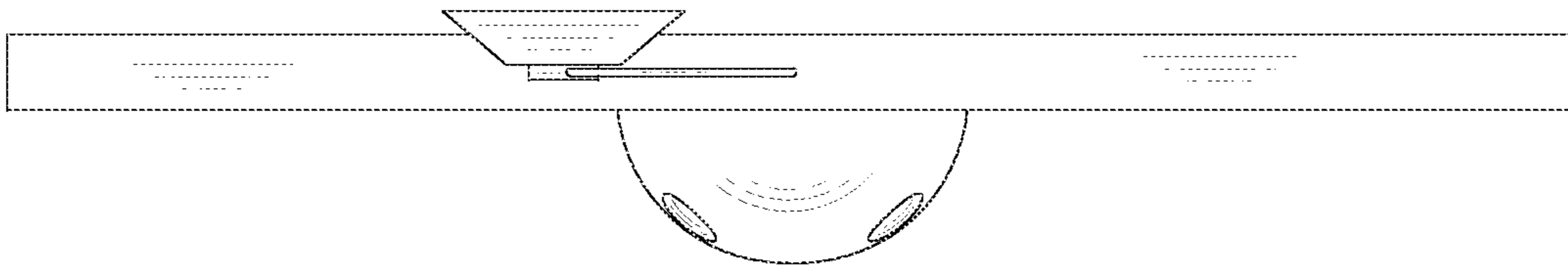


FIG. 7



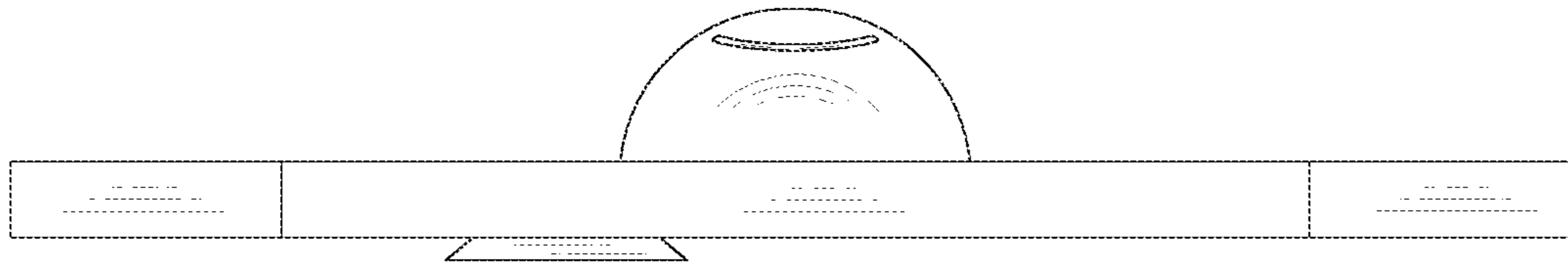


FIG. 8