



US00D984769S

(12) **United States Design Patent**
Wrobleski

(10) **Patent No.:** **US D984,769 S**
(45) **Date of Patent:** **** Apr. 25, 2023**

- (54) **BODY FOR A FLOOR CLEANER**
- (71) Applicant: **BISSELL Inc.**, Grand Rapids, MI (US)
- (72) Inventor: **Dennis J. Wrobleski**, Lowell, MI (US)
- (73) Assignee: **BISSELL Inc.**, Grand Rapids, MI (US)
- (**) Term: **15 Years**

(21) Appl. No.: **29/795,997**

(22) Filed: **Jun. 22, 2021**

(51) **LOC (14) Cl.** **15-05**

(52) **U.S. Cl.**
USPC **D32/31; D32/32; D32/22**

(58) **Field of Classification Search**
USPC D32/4, 15-19, 21-22, 24-25, 28, 30-34, D32/38-40, 45, 50-51; D21/526
CPC A47L 5/24; A47L 5/28; A47L 5/30; A47L 5/34; A47L 5/36; A47L 5/225; A47L 5/362; A47L 5/365; A47L 7/0004; A47L 7/0009; A47L 7/0095; A47L 9/106; A47L 9/32; A47L 9/102; A47L 9/246; A47L 9/322; A47L 9/325; A47L 9/2852; A47L 9/0411; A47L 9/1409; A47L 9/1481; A47L 9/16; A47L 9/1608; A47L 9/1675; A47L 9/1683; A47L 9/1691; A47L 11/10; A47L 11/18; A47L 11/04; A47L 11/08; A47L 11/20; A47L 11/24; A47L 11/26; A47L 11/28; A47L 11/30; A47L 11/34; A47L 11/302; A47L 11/4005; A47L 11/4011; A47L 11/4025; A47L 11/4036; A47L 11/4044; A47L 11/4052; A47L 11/4083; A47L 13/225; A47L 2201/00; A47L 2201/022; B01D 45/12; B04C 1/00; B04C 5/185; B08B 5/04; B23Q 11/0046; B23Q 11/0071;

(Continued)

(56) **References Cited**

U.S. PATENT DOCUMENTS

D427,397 S * 6/2000 Alford D32/31
8,943,647 B1 * 2/2015 Henderson A47L 9/325
15/328

(Continued)

FOREIGN PATENT DOCUMENTS

CA 171683 * 6/2018
CN 303102226 * 2/2015

(Continued)

OTHER PUBLICATIONS

Bissell 2852C CleanView Allergen Lift-Off Upright Vacuum Cleaner, available in Amazon.ca, date first available Oct. 28, 2020 [online], [site visited Jul. 10, 2022], Available from the internet URL: https://www.amazon.ca/2852C-CleanView-Allergen-Lift-Off-Removable/dp/B08KYK8CKP/ref=sr_1_1 (Year: 2020).*

(Continued)

Primary Examiner — Jennifer Rivard
Assistant Examiner — Jennylou M Binas
(74) *Attorney, Agent, or Firm* — Warner Norcross + Judd LLP

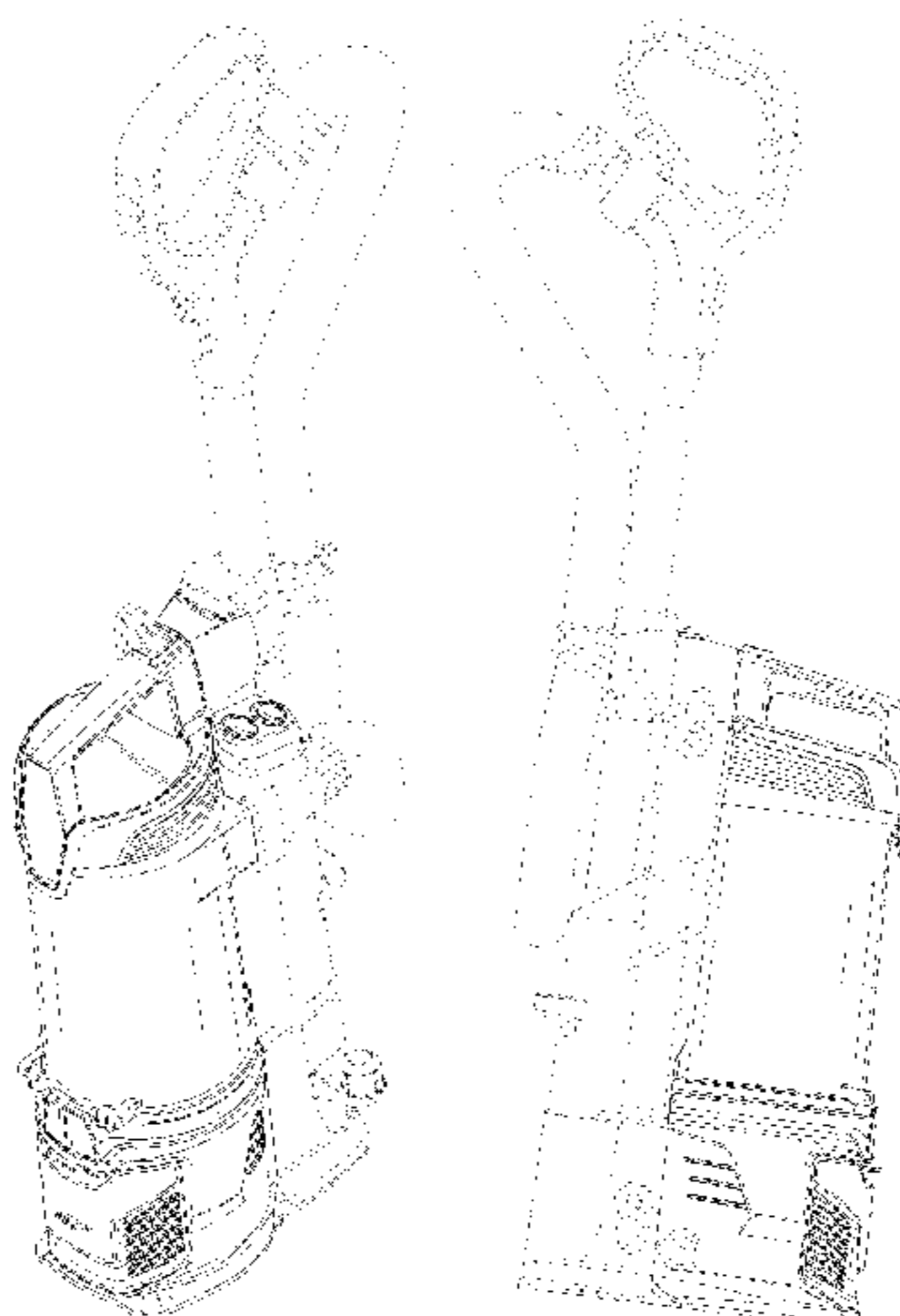
(57) **CLAIM**

The ornamental design for a body for a floor cleaner, as shown and described.

DESCRIPTION

FIG. 1 is a front perspective view of a body for a floor cleaner showing my new design;
FIG. 2 is a front view thereof;
FIG. 3 is a rear view thereof;
FIG. 4 is a right side view thereof;
FIG. 5 is a left side view thereof; and,
FIG. 6 is an enlarged top view thereof.
The broken lines shown in the drawings depict portions of the body for a floor cleaner that form no part of the claimed design.

1 Claim, 6 Drawing Sheets



(58) **Field of Classification Search**

CPC E04H 4/1636; G05D 2201/0215; Y10S
55/03

See application file for complete search history.

2018/0249871 A1* 9/2018 Rukavina A47L 5/225
2021/0330149 A1* 10/2021 Krebs A47L 11/4094
2022/0007912 A1* 1/2022 Terry A47L 9/0411

FOREIGN PATENT DOCUMENTS

CN	303387608	*	9/2015
CN	303439825	*	11/2015
CN	304211593	*	7/2017
CN	304625001	*	5/2018
CN	306210688	*	12/2020
GB	6200351	*	4/2022

(56)

References Cited

U.S. PATENT DOCUMENTS

D728,878	S	*	5/2015	Johnson	D32/31
D730,604	S	*	5/2015	Luedke	D32/31
9,149,165	B2	*	10/2015	Krebs	A47L 9/165
D759,919	S	*	6/2016	Smith	D32/31
9,392,919	B2	*	7/2016	Kasper	A47L 9/1658
D778,015	S	*	1/2017	Miller	D32/31
9,622,631	B2	*	4/2017	Cipolla	A47L 5/34
D790,142	S	*	6/2017	Carr	D32/31
D791,421	S	*	7/2017	Wu	D32/31
9,693,665	B2	*	7/2017	Khalil	A47L 9/1608
9,867,514	B2	*	1/2018	VanTongeren	A47L 9/0411
D821,047	S	*	6/2018	Wrobleski	D32/31
D824,615	S	*	7/2018	Bloemendaal	D32/22
D835,866	S	*	12/2018	Haverkamp	D32/18
D836,866	S	*	12/2018	Wrobleski	D32/31
10,154,765	B2	*	12/2018	Khalil	A47L 5/225
10,278,557	B2	*	5/2019	Rukavina	A47L 9/1683
10,638,902	B2	*	5/2020	Acker	A47L 5/36
10,791,900	B2	*	10/2020	Tran	H02G 11/02
D924,504	S	*	7/2021	Knapp	D32/21
D924,505	S	*	7/2021	Knapp	D32/21
D926,401	S	*	7/2021	Knapp	D32/22
D928,433	S	*	8/2021	Knapp	D32/22
D930,926	S	*	9/2021	Wrobleski	D32/22
D943,850	S	*	2/2022	Knapp	D32/22
D959,075	S	*	7/2022	Knapp	D32/22

OTHER PUBLICATIONS

Bissell—Upright Vacuum Cleaner—CleanView Allergen Swivel, available in Amazon.ca, date first available Oct. 28, 2020 [online], [site visited Jul. 10, 2022], Available from the internet URL: https://www.amazon.ca/dp/B08KYK4S5Z/ref=sspa_dk_detail_2 (Year: 2020).*

Bissell 2475C Pet Hair Eraser Turbo Upright Vacuum, available in Amazon.ca, date first available Feb. 11, 2019 [online], [site visited Jul. 10, 2022], Available from the internet URL: https://www.amazon.ca/Bissell-2475C-Eraser-Upright-Vacuum/dp/B07NLYF8J3/ref=sr_1_7 (Year: 2019).*

Dirt Devil Endura Max XL Upright Vacuum Cleaner, available in Amazon.ca, date first available Oct. 19, 2018 [online], [site visited Jul. 10, 2022], Available from the internet URL: https://www.amazon.ca/dp/B07G3FHHM1/ref=sspa_dk_detail_4 (Year: 2018).*

Hoover Elite Swivel Upright Vacuum, available in Amazon.ca, date first available Jul. 8, 2021 [online], [site visited Jul. 10, 2022], Available from the internet URL: https://www.amazon.ca/dp/B08Y68FQP9/ref=sspa_dk_detail_4 (Year: 2021).*

* cited by examiner

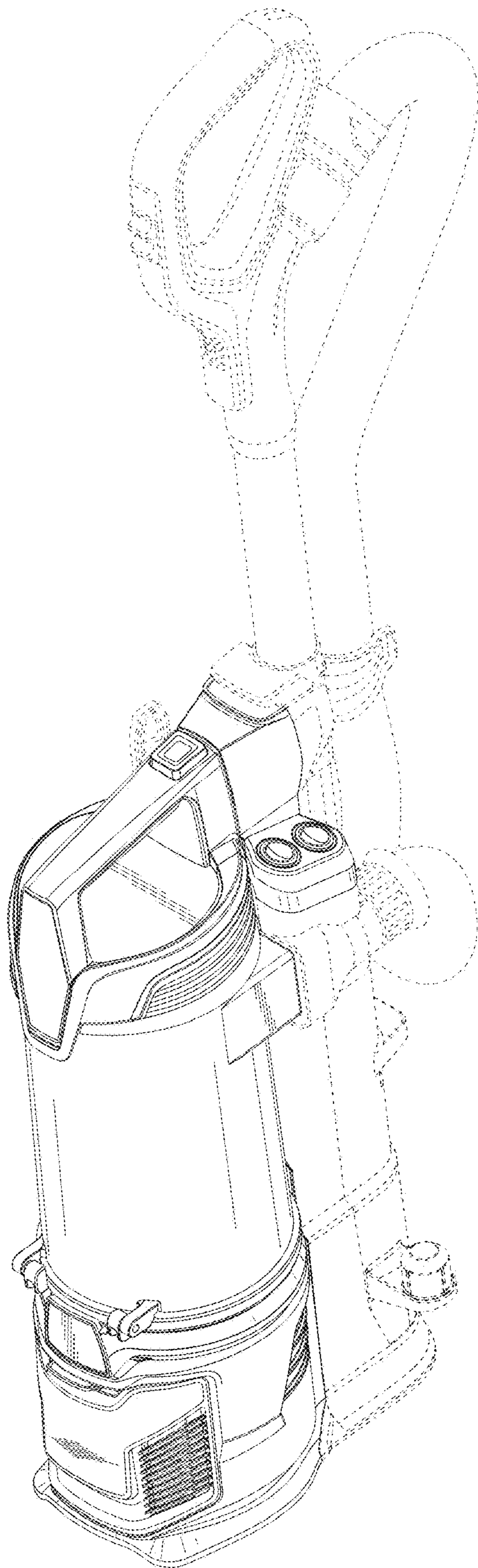


FIG. 1

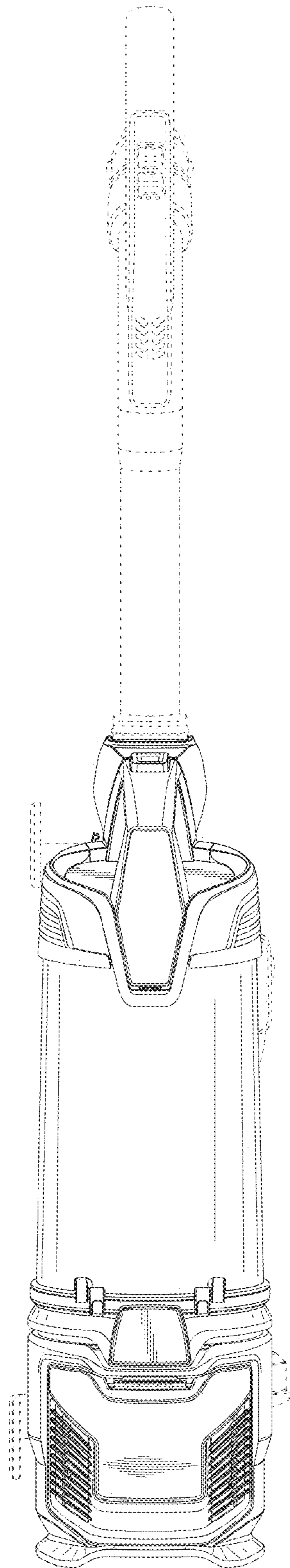


FIG. 2

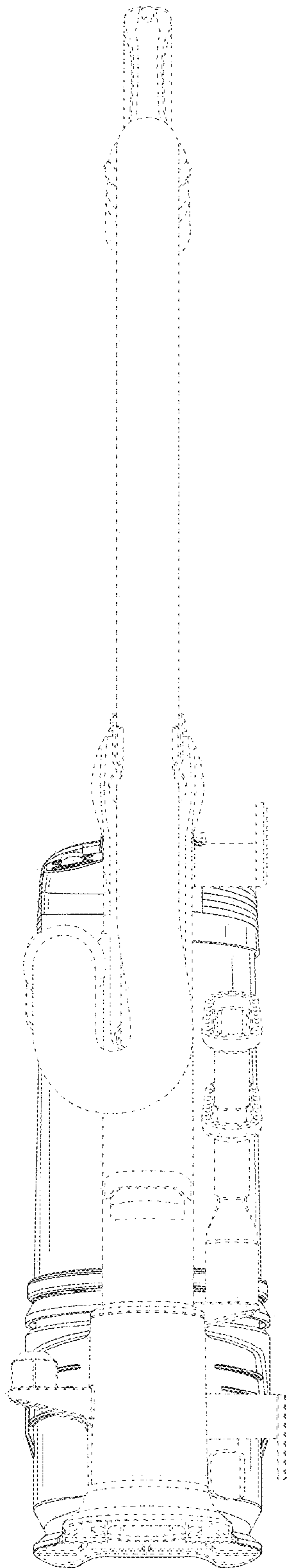


FIG. 3

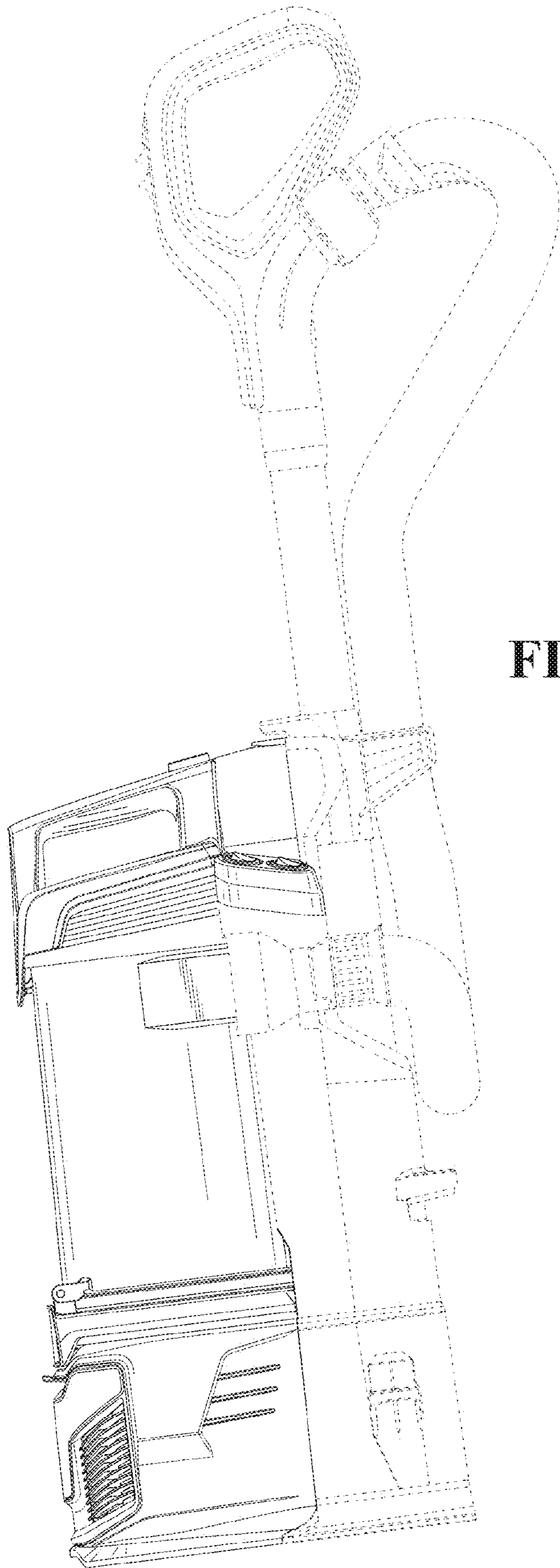
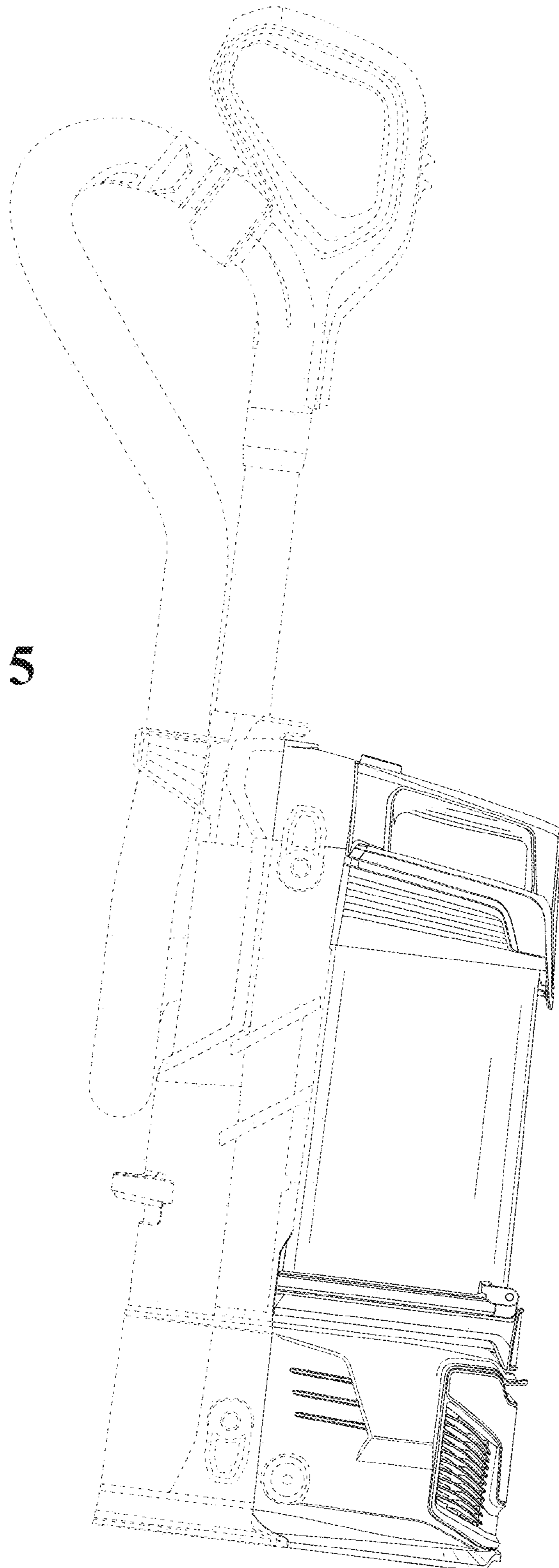


FIG. 4

FIG. 5



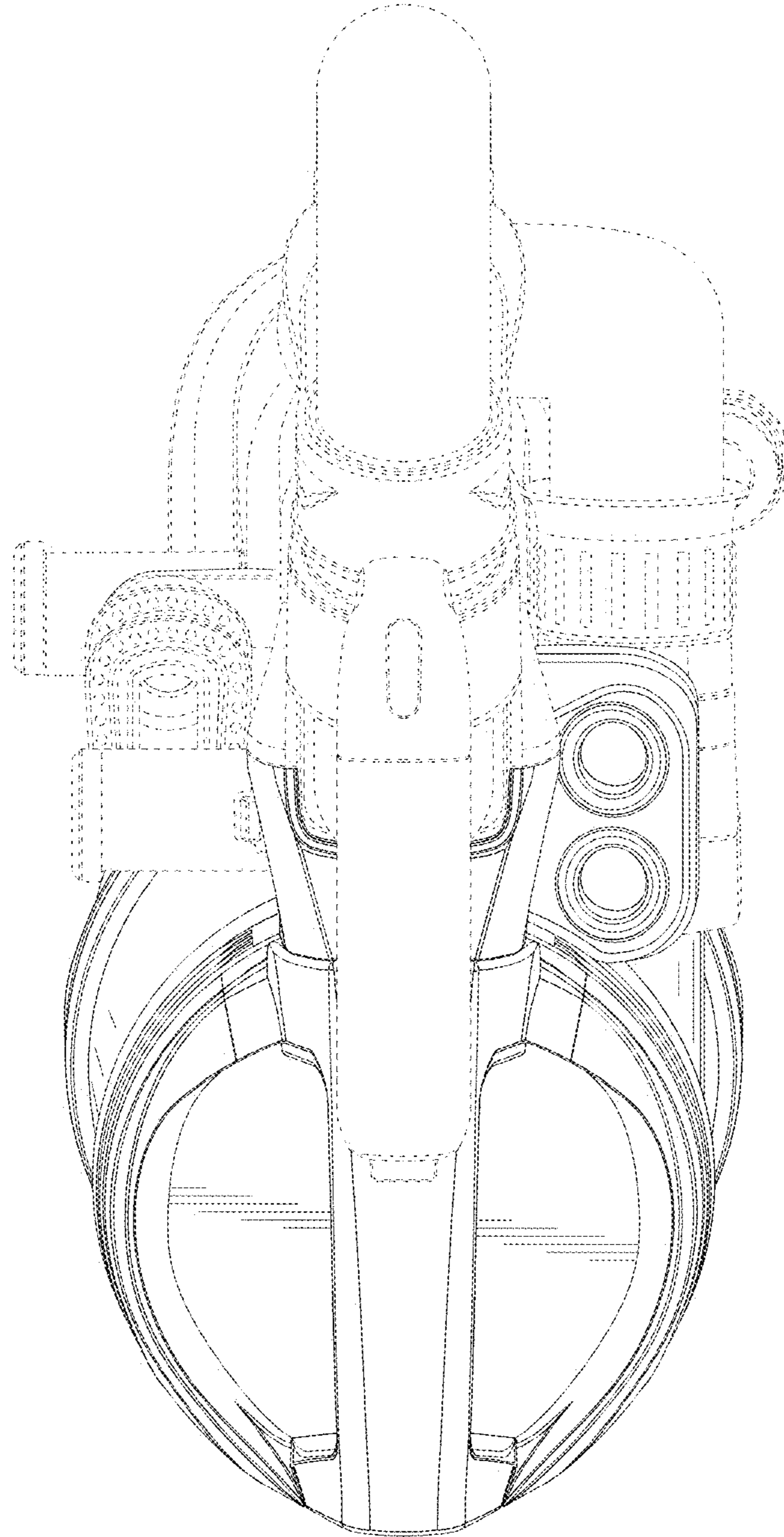


FIG. 6