



US00D984767S

(12) **United States Design Patent**
Song et al.

(10) **Patent No.:** **US D984,767 S**

(45) **Date of Patent:** **** Apr. 25, 2023**

(54) **CHARGING STATION FOR VACUUM CLEANER**

(71) Applicant: **LG ELECTRONICS INC.**, Seoul (KR)

(72) Inventors: **Seunghyun Song**, Seoul (KR); **Hoil Jeon**, Seoul (KR); **Seongmin Kim**, Seoul (KR); **Jinju Kim**, Seoul (KR)

(73) Assignee: **LG ELECTRONICS INC.**, Seoul (KR)

(**) Term: **15 Years**

(21) Appl. No.: **29/751,951**

(22) Filed: **Sep. 24, 2020**

(30) **Foreign Application Priority Data**

Apr. 20, 2020 (KR) 30-2020-0017479

(51) **LOC (14) Cl.** **15-05**

(52) **U.S. Cl.**
USPC **D32/21**

(58) **Field of Classification Search**
USPC D13/108, 184; D32/21, 25, 28, 31, 32, D32/73

CPC .. A47L 9/149; A47L 11/4025; A47L 11/4027; A47L 11/4097; B01D 46/0043; H01R 13/6675; H02J 7/0003

See application file for complete search history.

(56) **References Cited**

U.S. PATENT DOCUMENTS

D510,066 S * 9/2005 Hickey D13/108
D588,059 S * 3/2009 Fujita D13/108
D627,718 S * 11/2010 Houghton D32/31
D691,553 S * 10/2013 Deoksang D13/108
D704,628 S * 5/2014 Tajik D13/108
D709,446 S * 7/2014 Haug D13/108

D712,827 S * 9/2014 Maeda D13/108
D776,054 S * 1/2017 Cmich D15/17
D817,874 S * 5/2018 Tsai D13/108
D818,433 S * 5/2018 Ebrahimi Afrouzi D13/108
D818,950 S * 5/2018 Ebrahimi Afrouzi D32/31
D818,951 S * 5/2018 Ebrahimi Afrouzi D13/108
D821,973 S * 7/2018 Maeda D13/108
D837,150 S * 1/2019 Näslund D13/108
D840,928 S * 2/2019 Sun D13/108
D867,987 S * 11/2019 Mi D13/108
D906,236 S * 12/2020 Tat D15/17
D908,992 S * 1/2021 Jang D32/30
D921,584 S * 6/2021 Bournique D13/108
D946,519 S * 3/2022 Gao D13/108
D948,822 S * 4/2022 Kim D32/31

(Continued)

FOREIGN PATENT DOCUMENTS

CN 306979433 * 12/2021

Primary Examiner — Kevin K Rudzinski

Assistant Examiner — Richard E Yenchesky

(74) *Attorney, Agent, or Firm* — Birch, Stewart, Kolasch & Birch, LLP

(57) **CLAIM**

The ornamental design for a charging station for vacuum cleaner, as shown and described.

DESCRIPTION

FIG. 1 is a front, right side, perspective view of a charging station for vacuum cleaner showing our new design;

FIG. 2 is a front view thereof;

FIG. 3 is a rear view thereof;

FIG. 4 is a left side view thereof;

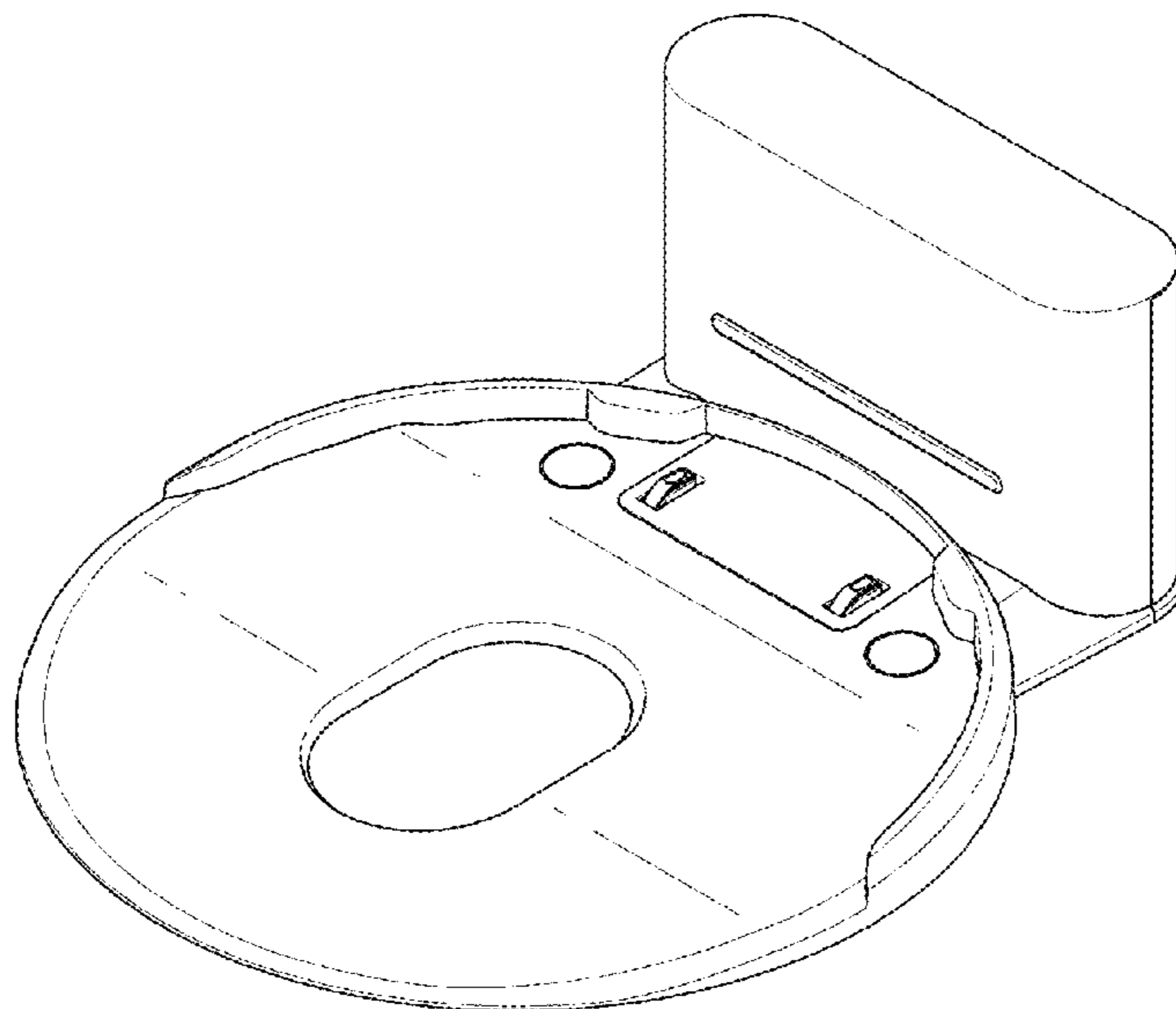
FIG. 5 is a right side view thereof;

FIG. 6 is a top view thereof; and,

FIG. 7 is a bottom view.

The broken lines indicate unclaimed portion of the article that form no part of the claimed design.

1 Claim, 5 Drawing Sheets



(56)

References Cited

U.S. PATENT DOCUMENTS

D951,859 S * 5/2022 Xie D13/102
D961,177 S * 8/2022 Jang D32/31
2018/0064023 A1* 3/2018 Song H02J 7/0042
2022/0061612 A1* 3/2022 Wolff A47L 9/1472

* cited by examiner

FIG. 1

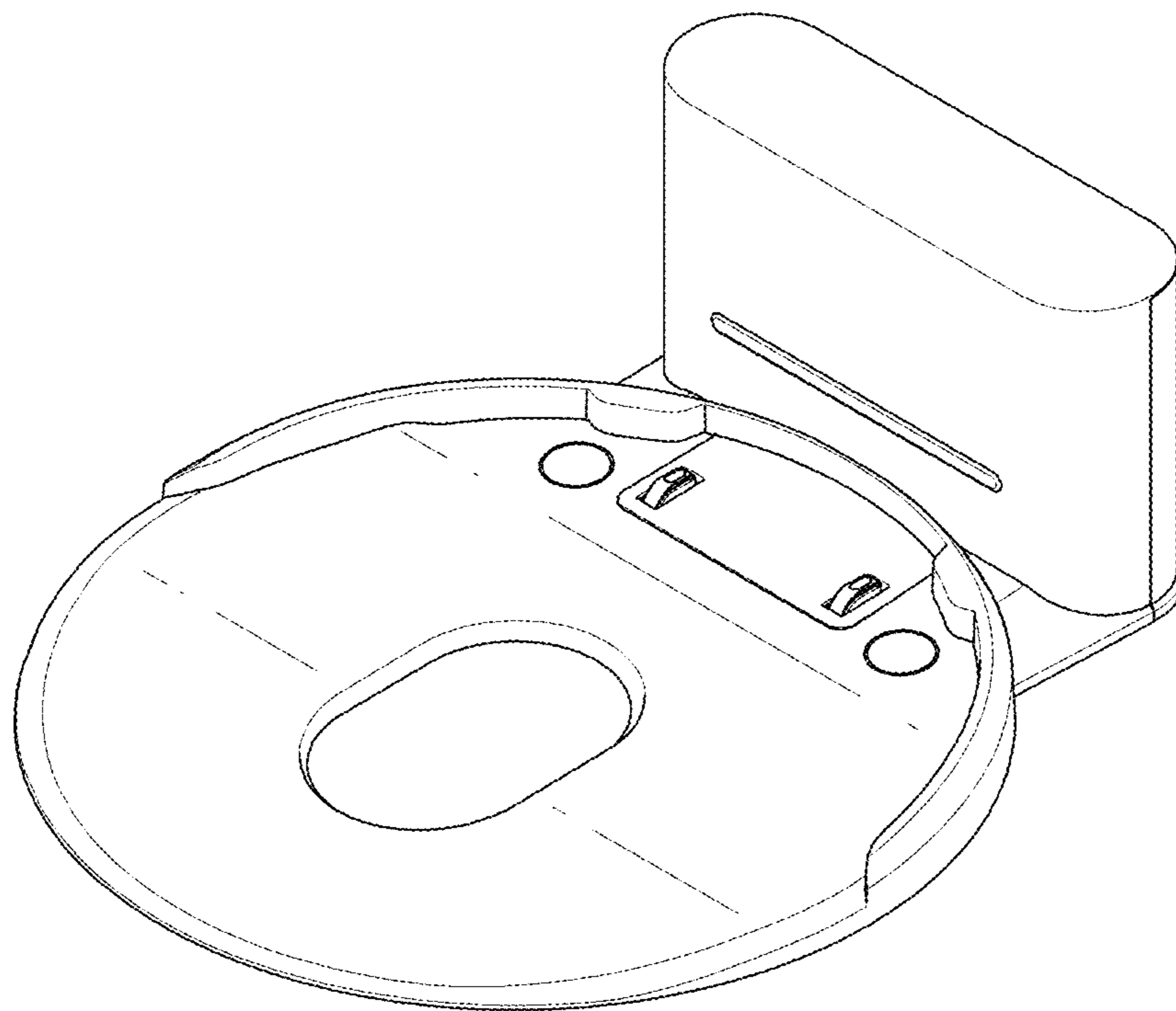


FIG. 2

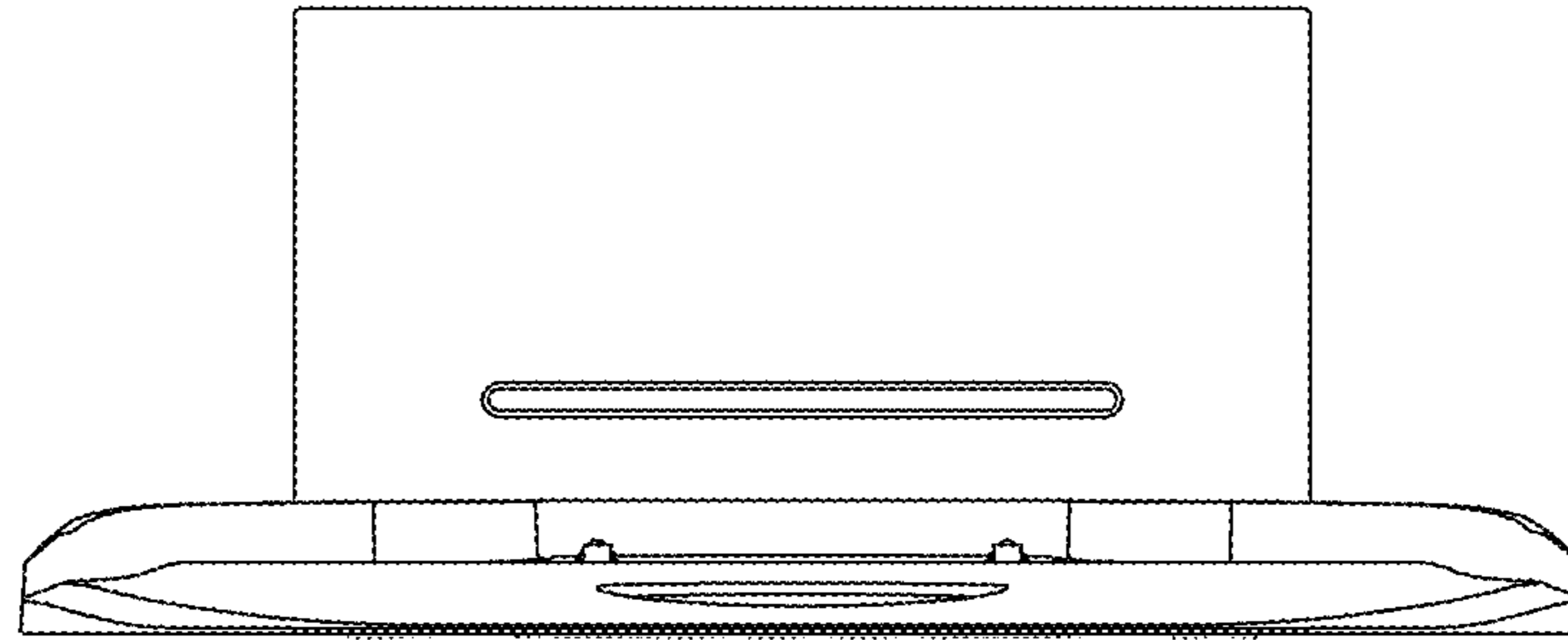


FIG. 3

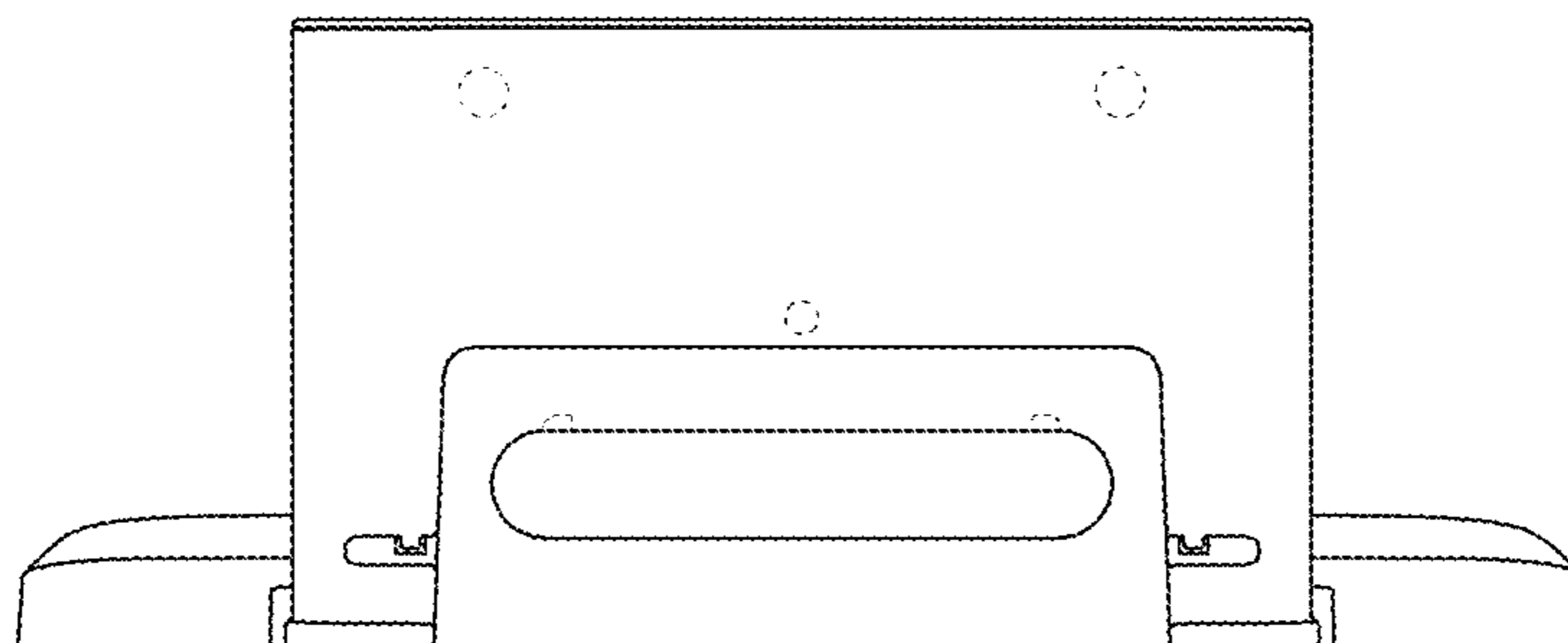


FIG. 4

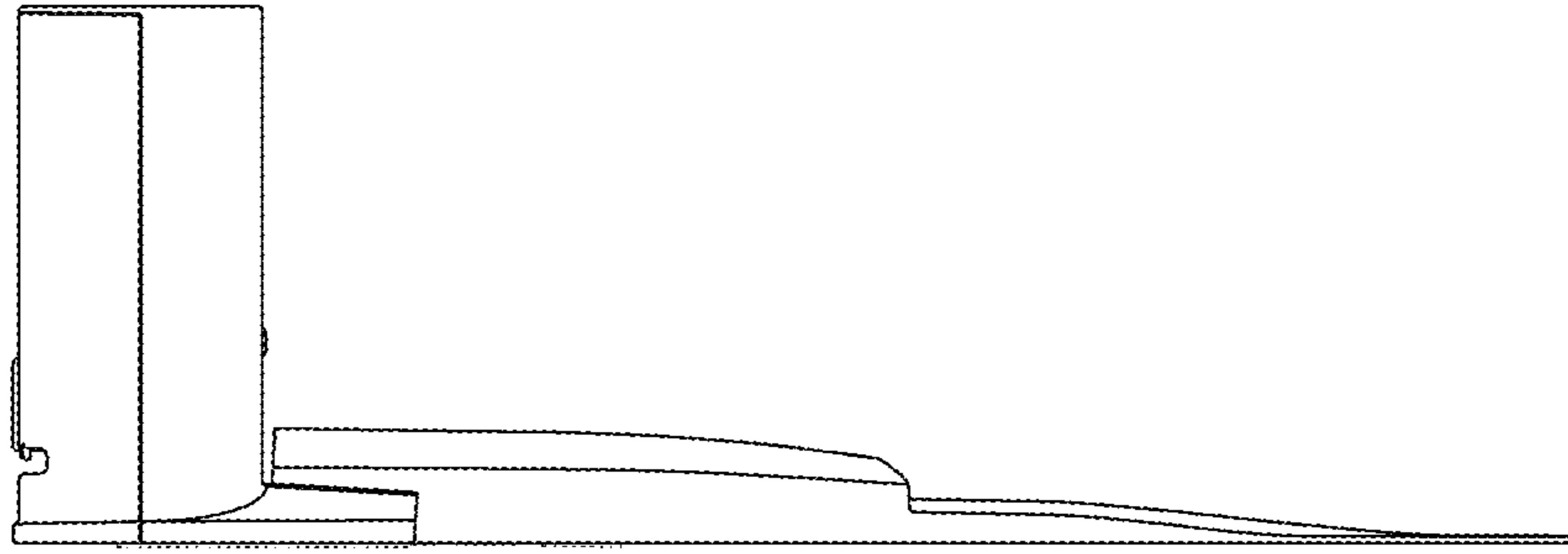


FIG. 5

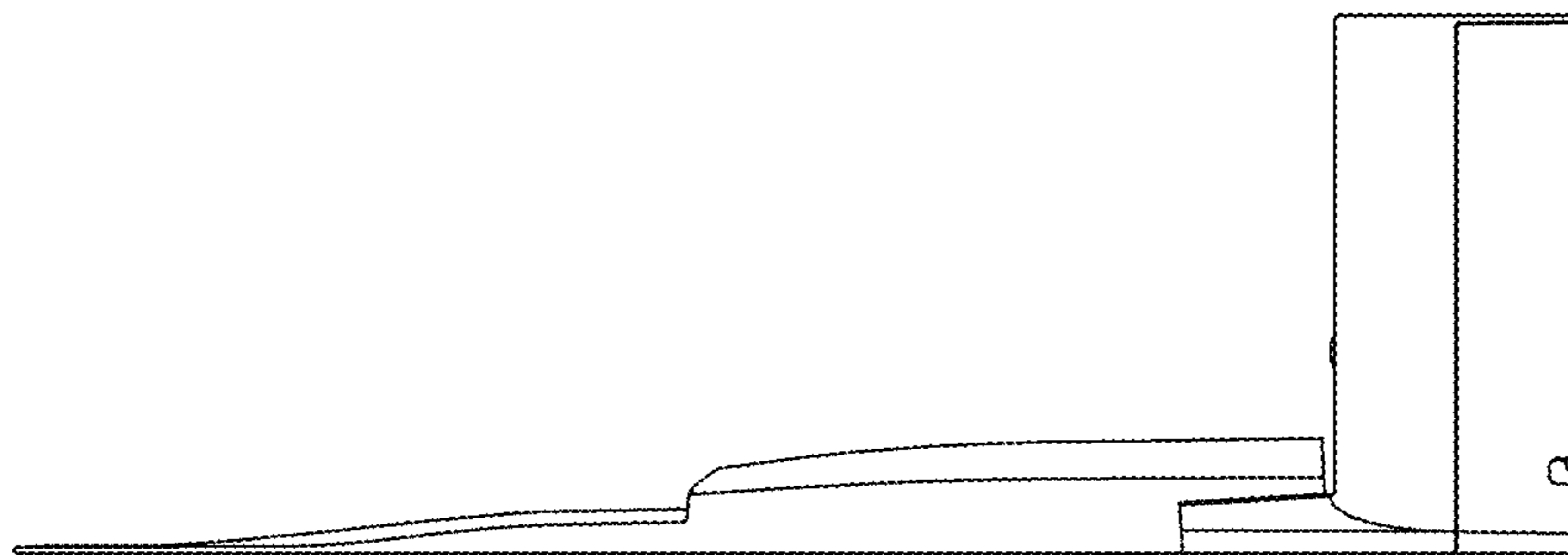


FIG. 6

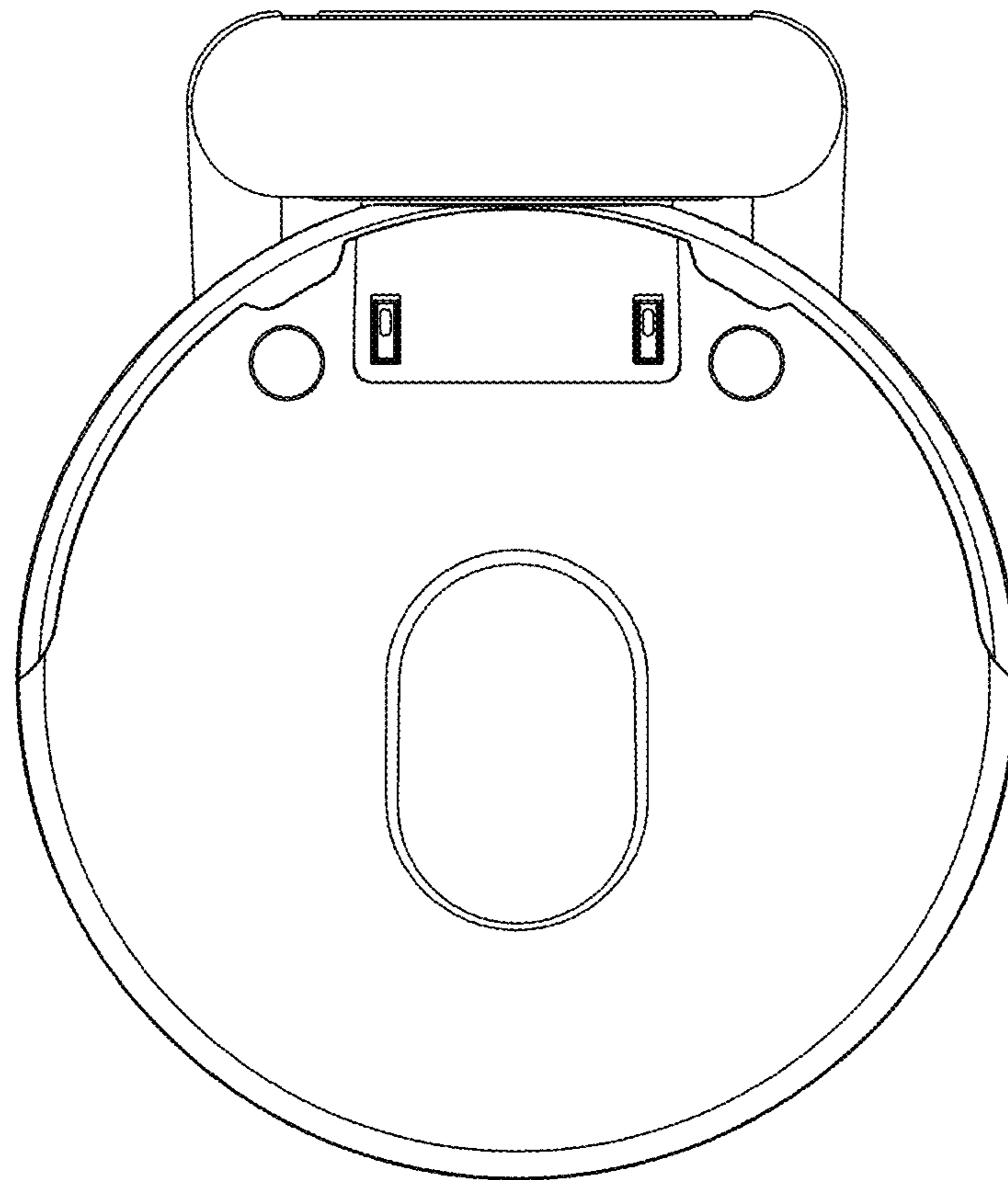


FIG. 7

