



US00D984766S

(12) **United States Design Patent**
Bloemendaal

(10) **Patent No.: US D984,766 S**
(45) **Date of Patent: ** Apr. 25, 2023**

(54) **VACUUM CLEANER**

- (71) Applicant: **BISSELL Inc.**, Grand Rapids, MI (US)
- (72) Inventor: **Colin J. Bloemendaal**, Grand Rapids, MI (US)
- (73) Assignee: **BISSELL Inc.**, Grand Rapids, MI (US)
- (**) Term: **15 Years**
- (21) Appl. No.: **29/806,509**
- (22) Filed: **Sep. 3, 2021**

Related U.S. Application Data

- (62) Division of application No. 29/690,892, filed on May 13, 2019, now Pat. No. Des. 933,320.
- (51) **LOC (14) Cl.** **15-05**
- (52) **U.S. Cl.**
USPC **D32/18; D32/22**
- (58) **Field of Classification Search**
USPC **D32/17-18, 21-22, 31; D21/526; D30/158**
CPC ... **A47L 5/24; A47L 5/28; A47L 5/225; A47L 9/2884; A47L 9/1683; A47L 9/2857; A47L 9/2842; A47L 9/322; A47L 9/165; A47L 9/1666; A47L 9/106; A47L 9/127; A47L**

(Continued)

(56) **References Cited**

U.S. PATENT DOCUMENTS

- D731,130 S 6/2015 Dyson et al.
- D771,890 S 11/2016 Kim

(Continued)

FOREIGN PATENT DOCUMENTS

- CA 191093 * 1/2022
- CN 304651523 * 5/2018

(Continued)

OTHER PUBLICATIONS

8 Best Stick Vacuums of 2021, available in goodhousekeeping.com, announced Nov. 18, 2020 [online], [site visited Feb. 25, 2022], Available from the internet URL: <https://www.goodhousekeeping.com/appliances/vacuum-cleaner-reviews/g1222/best-stick-vacuums/> (Year: 2020).*

(Continued)

Primary Examiner — Jennifer Rivard

Assistant Examiner — Jennylou M Binas

(74) *Attorney, Agent, or Firm* — Warner Norcross + Judd LLP

(57) **CLAIM**

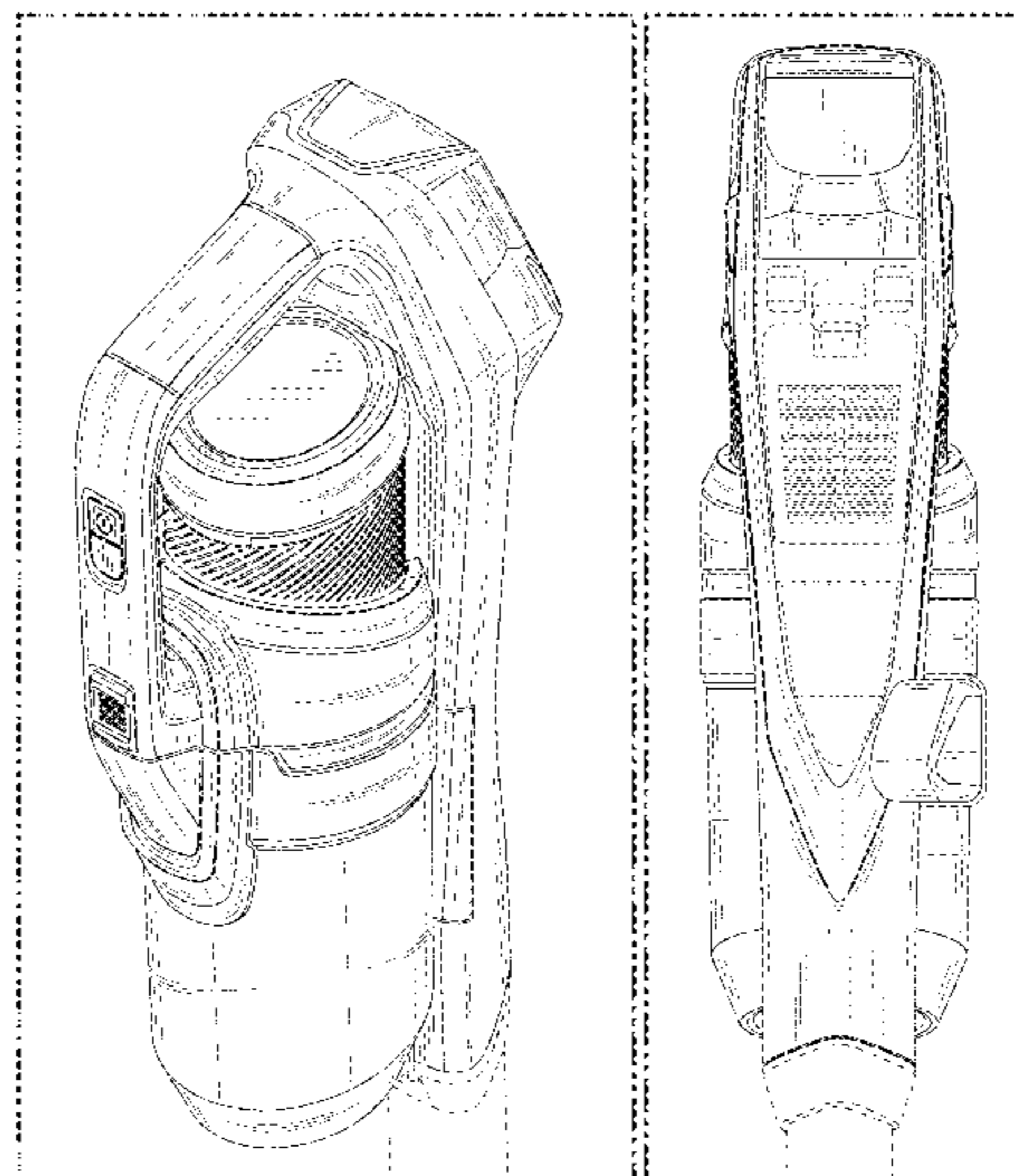
The ornamental design for a vacuum cleaner, as shown and described.

DESCRIPTION

FIG. 1 is a front perspective view of a vacuum cleaner showing my new design;
 FIG. 2 is a front view thereof;
 FIG. 3 is a rear view thereof;
 FIG. 4 is a left side view thereof;
 FIG. 5 is a right side view thereof;
 FIG. 6 is an enlarged top view of the vacuum cleaner;
 FIG. 7 is an enlarged view of the vacuum cleaner shown within the area designed as 7 in FIG. 1;
 FIG. 8 is an enlarged view of the vacuum cleaner shown within the area designed as 8 in FIG. 2;
 FIG. 9 is an enlarged view of the vacuum cleaner shown within the area designed as 9 in FIG. 3;
 FIG. 10 is an enlarged view of the vacuum cleaner shown within the area designed as 10 in FIG. 4; and,
 FIG. 11 is an enlarged view of the vacuum cleaner shown within the area designed as 11 in FIG. 5.

The broken lines shown in the drawings depict portions of the vacuum cleaner that form no part of the claimed design.

1 Claim, 11 Drawing Sheets



(58) **Field of Classification Search**

CPC 9/1691; A47L 9/102; A47L 9/32; A47L 9/2873; A47L 9/327; A47L 11/30; A47L 11/4005; A47L 11/4008; A47L 2201/02; A47L 2201/022; B01D 2279/55; B01D 50/20; B04C 5/185; B08B 5/04; B23Q 11/0046; B23Q 11/0071; B60S 1/64; E04H 4/1636; G05D 2201/0215; Y10S 55/03; Y10S 292/63

See application file for complete search history.

FOREIGN PATENT DOCUMENTS

CN	305131641	*	4/2019
CN	305767032		5/2020
CN	305928716	*	7/2020
GB	6162926	*	9/2021
IN	314297-001-0001		11/2019
JP	D1567160	*	1/2017
JP	D1567165	*	1/2017
JP	D1657413		4/2020
JP	D1681729	*	3/2021
JP	D1693981	*	8/2021
KR	301085156.0000		12/2020

(56) **References Cited**

U.S. PATENT DOCUMENTS

9,675,218	B2	6/2017	Kim et al.	
D800,980	S	10/2017	Carter et al.	
D819,282	S	5/2018	Kim et al.	
9,986,880	B2	6/2018	Conrad	
D861,268	S	9/2019	Meyer et al.	
D862,011	S	10/2019	Kim et al.	
D868,400	S *	11/2019	Niedzwecki	D32/18
D901,109	S *	11/2020	Chen	D32/18
D902,510	S	11/2020	Knight Adams	
D905,360	S	12/2020	Ma	
D905,919	S	12/2020	Niedzwecki et al.	
D907,315	S *	1/2021	Tokoi	D32/22
D908,990	S	1/2021	Chen et al.	
D912,344	S	3/2021	Choi et al.	
D922,008	S	6/2021	Cole et al.	
D922,010	S	6/2021	Lin	
D924,503	S	7/2021	Xu	
D932,122	S *	9/2021	Xu	D32/18
D933,320	S *	10/2021	Bloemendaal	D32/18
D939,793	S *	12/2021	Liu	D32/18
D959,071	S *	7/2022	Kim	D32/18
D973,105	S *	12/2022	Granatelli	D15/7
D977,211	S *	1/2023	Chen	D32/18
2010/0229325	A1 *	9/2010	Conrad	A47L 5/24 15/347
2016/0174789	A1	6/2016	Han et al.	
2018/0289227	A1 *	10/2018	Takano	A47L 5/24
2019/0208974	A1	7/2019	Oka et al.	
2021/0045605	A1 *	2/2021	Conrad	A47L 9/16

OTHER PUBLICATIONS

Eureka Stylus Lightweight Cordless Vacuum Cleaner, available in Amazon.ca, date first available May 20, 2020 [online], [site visited Jun. 2, 2021], Available from the internet URL: https://www.amazon.ca/dp/B0867GC2SB/ref=cm_sw_em_r_mt_imm_awdb_M3QMDJX6XV941V9HZT3W (Year: 2020).*

Midea Cordless Vacuum Cleaner MCS1825GB Pro, available in Amazon.co.uk, date first available Mar. 9, 2021 [online], [site visited Oct. 22, 2021], Available from the internet URL: https://www.amazon.co.uk/Midea-MCS1825GB-Pro-Lightweight-Headlights/dp/B08YFYSRSZ/ref=psdc_770072031_t2_B08YFQ1R6X (Year: 2021).*

P7 Flex Handheld Cordless Vacuum Cleaner, available in ifworld-designguide.com, launched Year 2020 [online], [site visited Oct. 22, 2021], Internet URL: <https://ifworlddesignguide.com/entry/317765-p7-flex-handheld-cordless-vacuum-cleaner> (Year: 2020).*

Iris Ohyama IC-SLDCP10-R Cordless, available in Amazon.co.jp, date first available Feb. 26, 2020 [online], [site visited Feb. 22, 2021], Available from the internet URL: https://www.amazon.co.jp/dp/B0856B39L9/ref=cm_sw_em_r_mt_imm_awdb_NRDC6NE4VDN965J2F08R (Year: 2020).

Eureka Rapid Clean, available in Amazon.com, customer review oldest date Feb. 16, 2019 [online], [site visited Feb. 22, 2021], Available from the internet URL: https://www.amazon.com/dp/B07SMJJTL7/ref=cm_sw_r_em_apa_fabc_6E27GFNGZ3AAVVYD6394?_encoding=UTF8&psc=1 (Year: 2019).

* cited by examiner

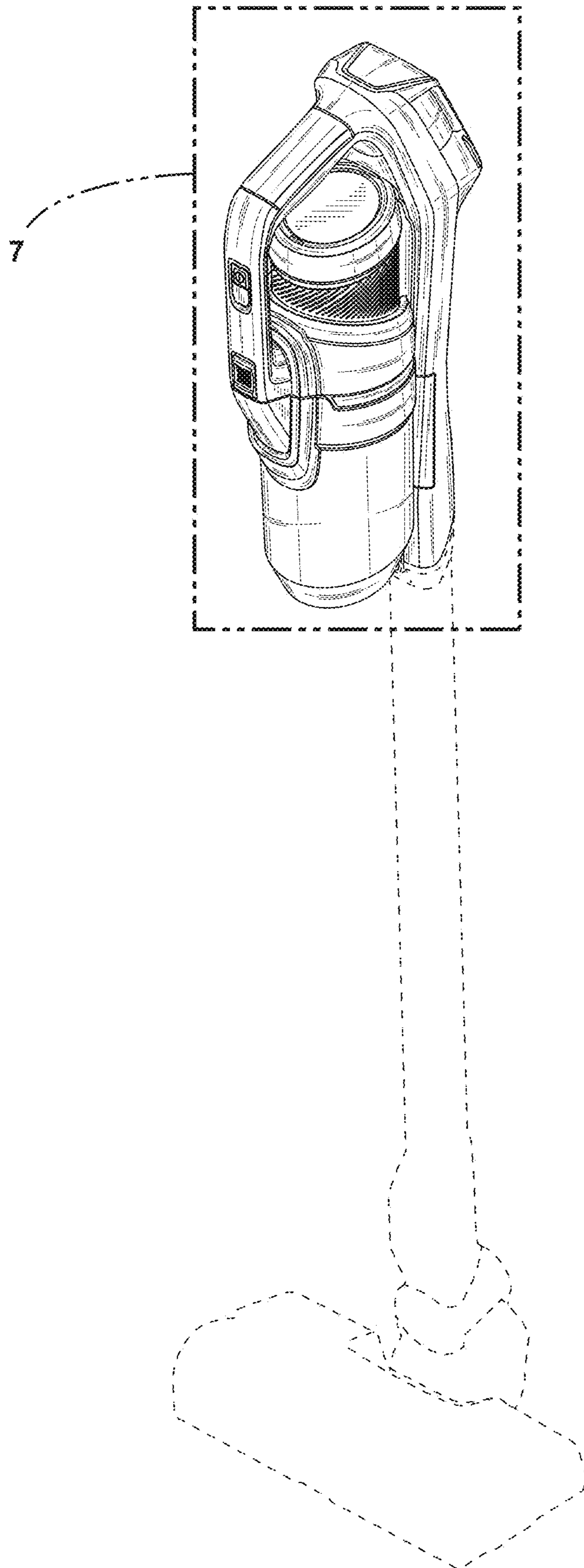


FIG. 1

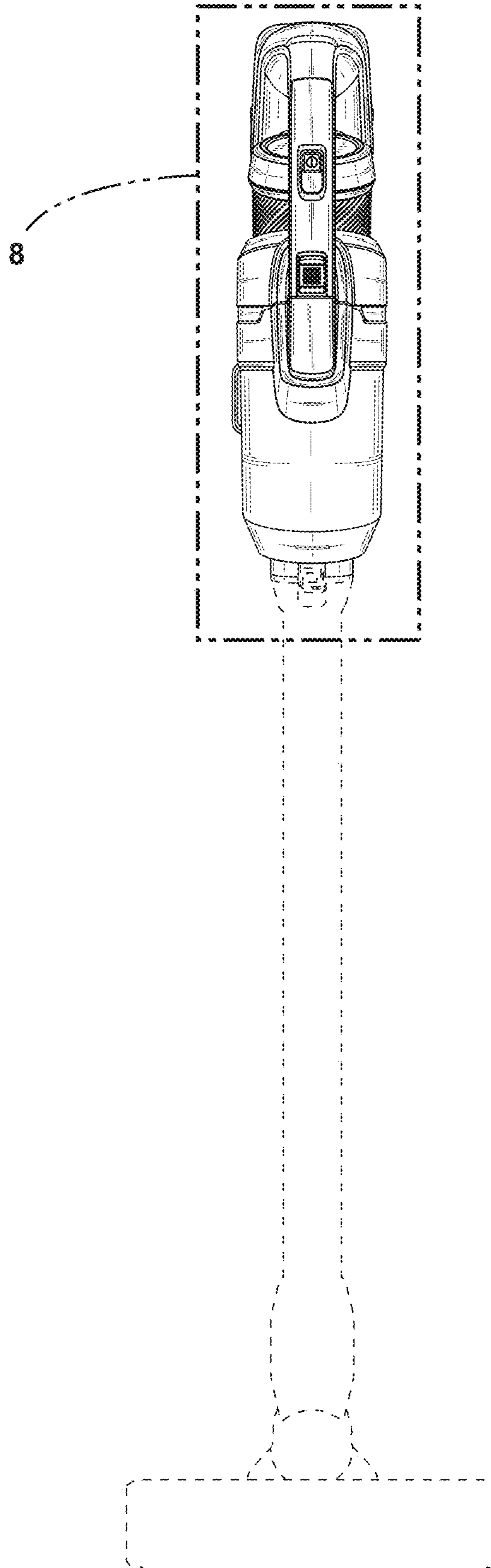


FIG. 2

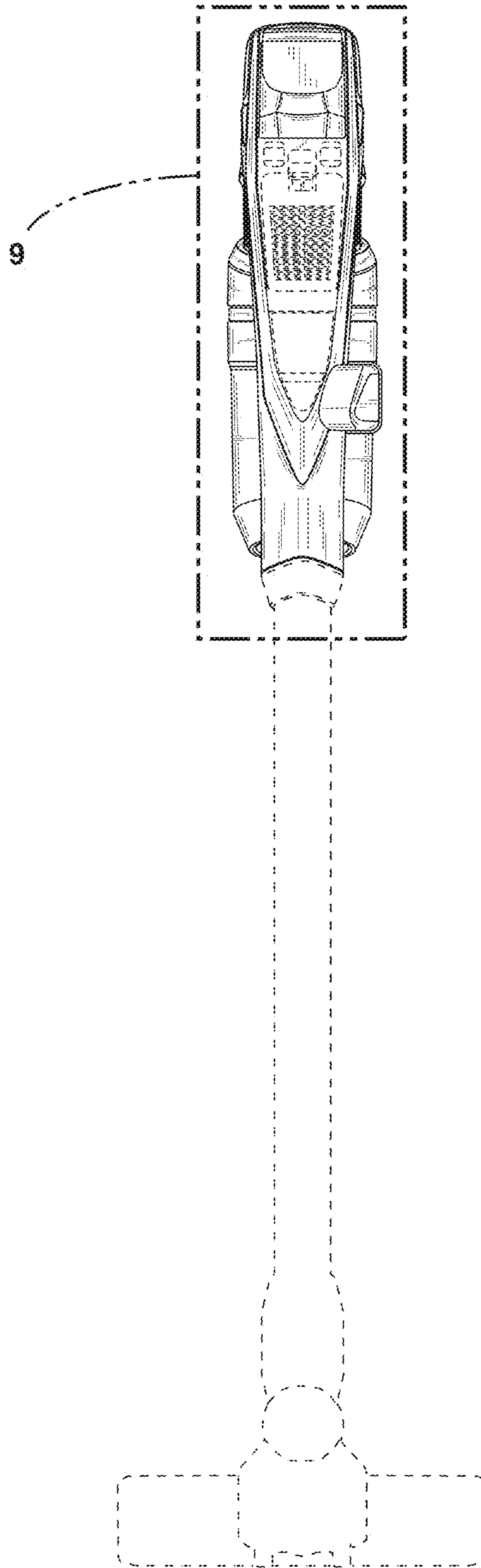


FIG. 3

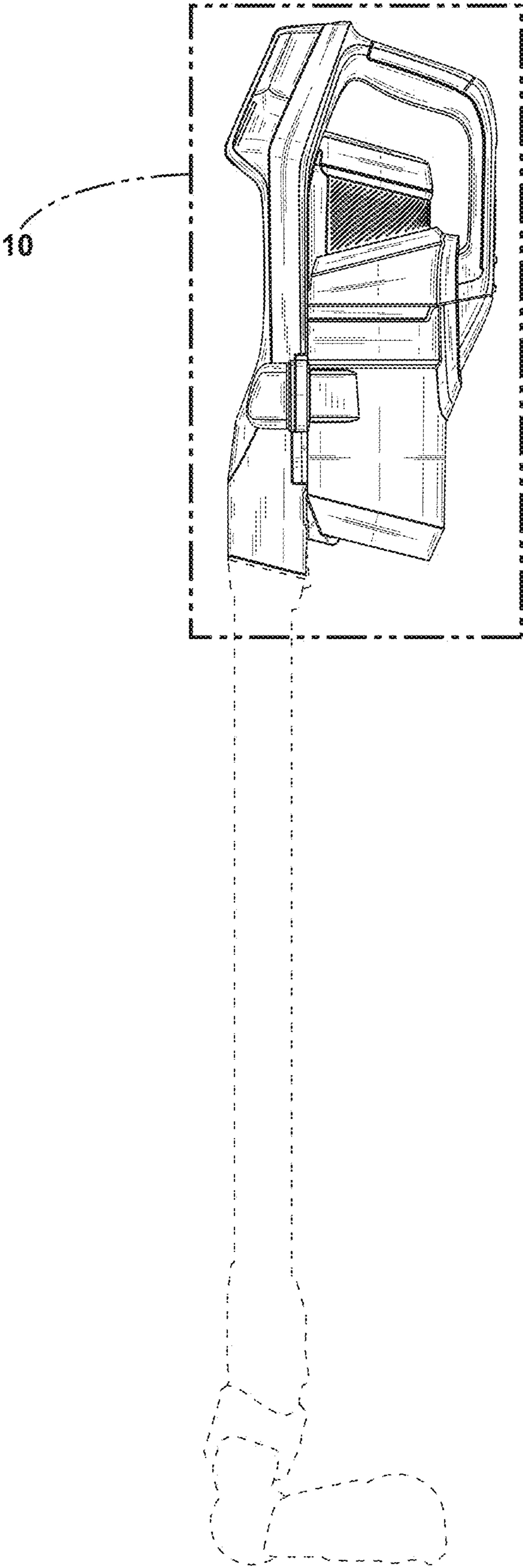


FIG. 4

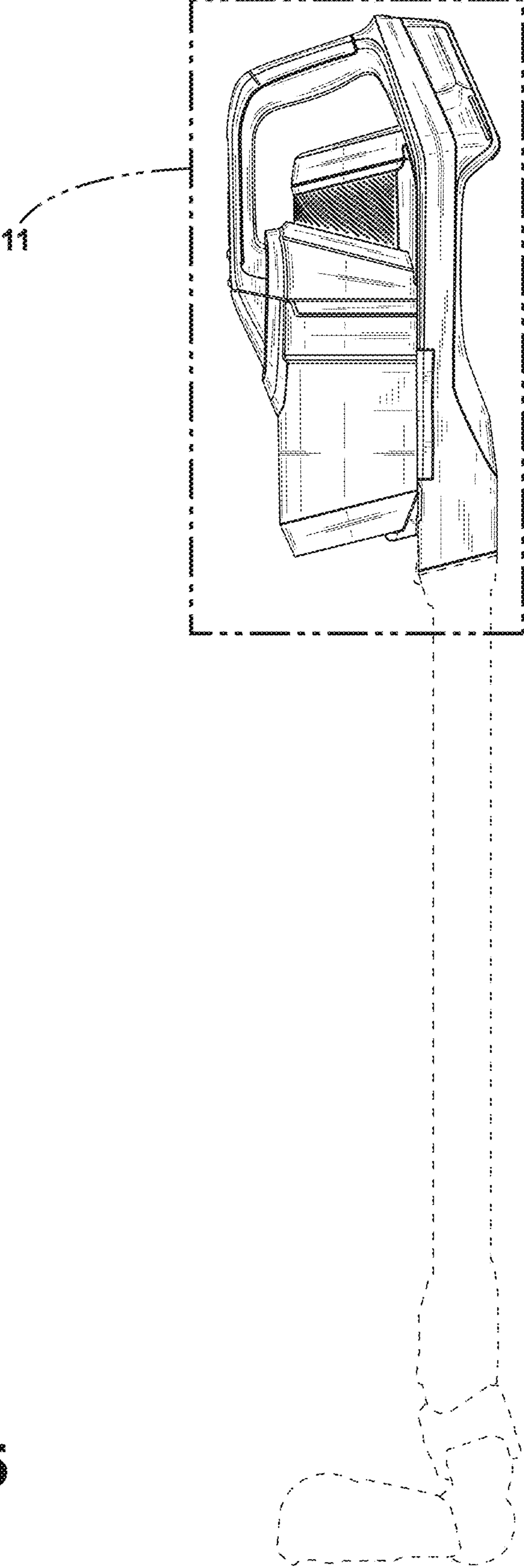


FIG. 5

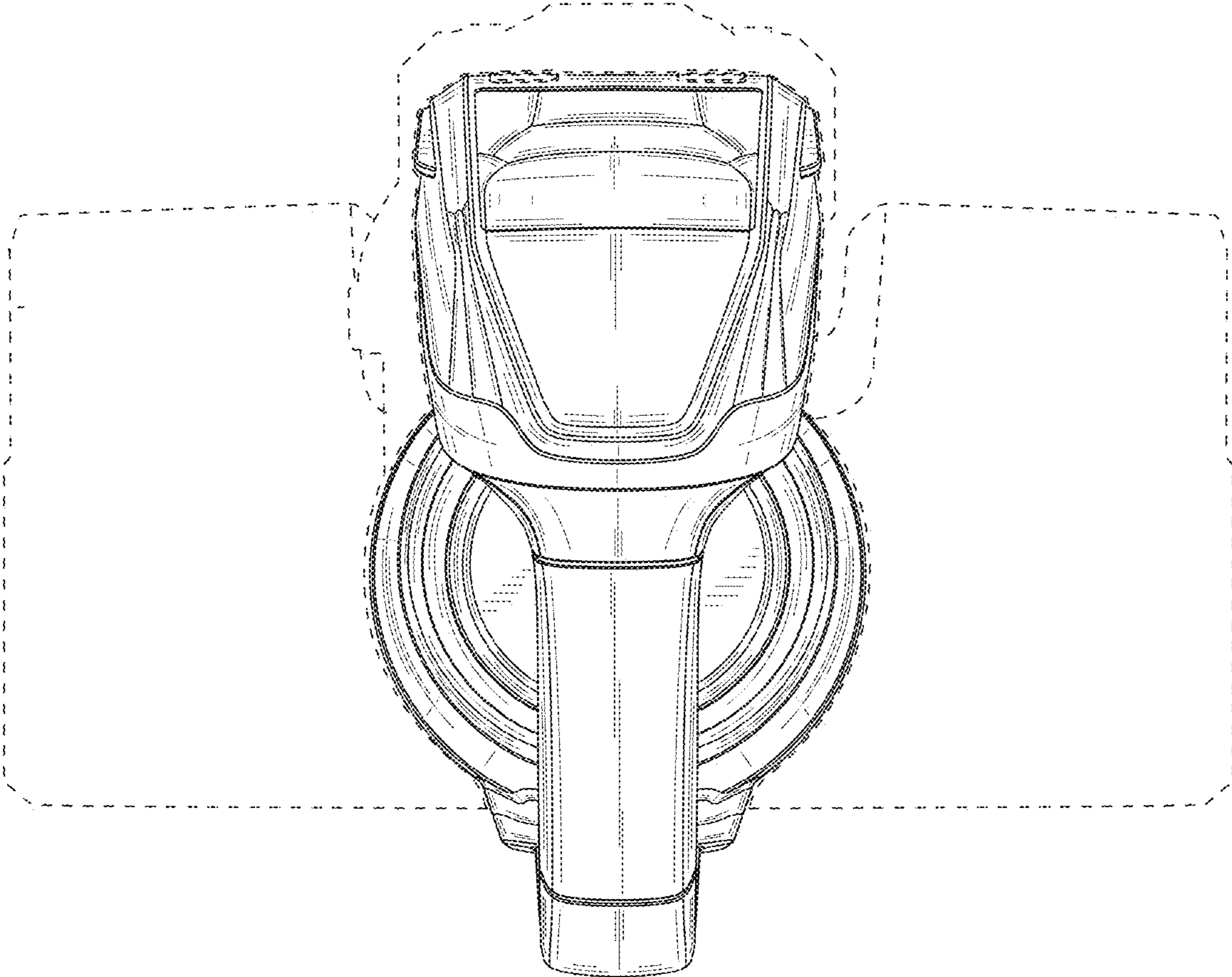


FIG. 6

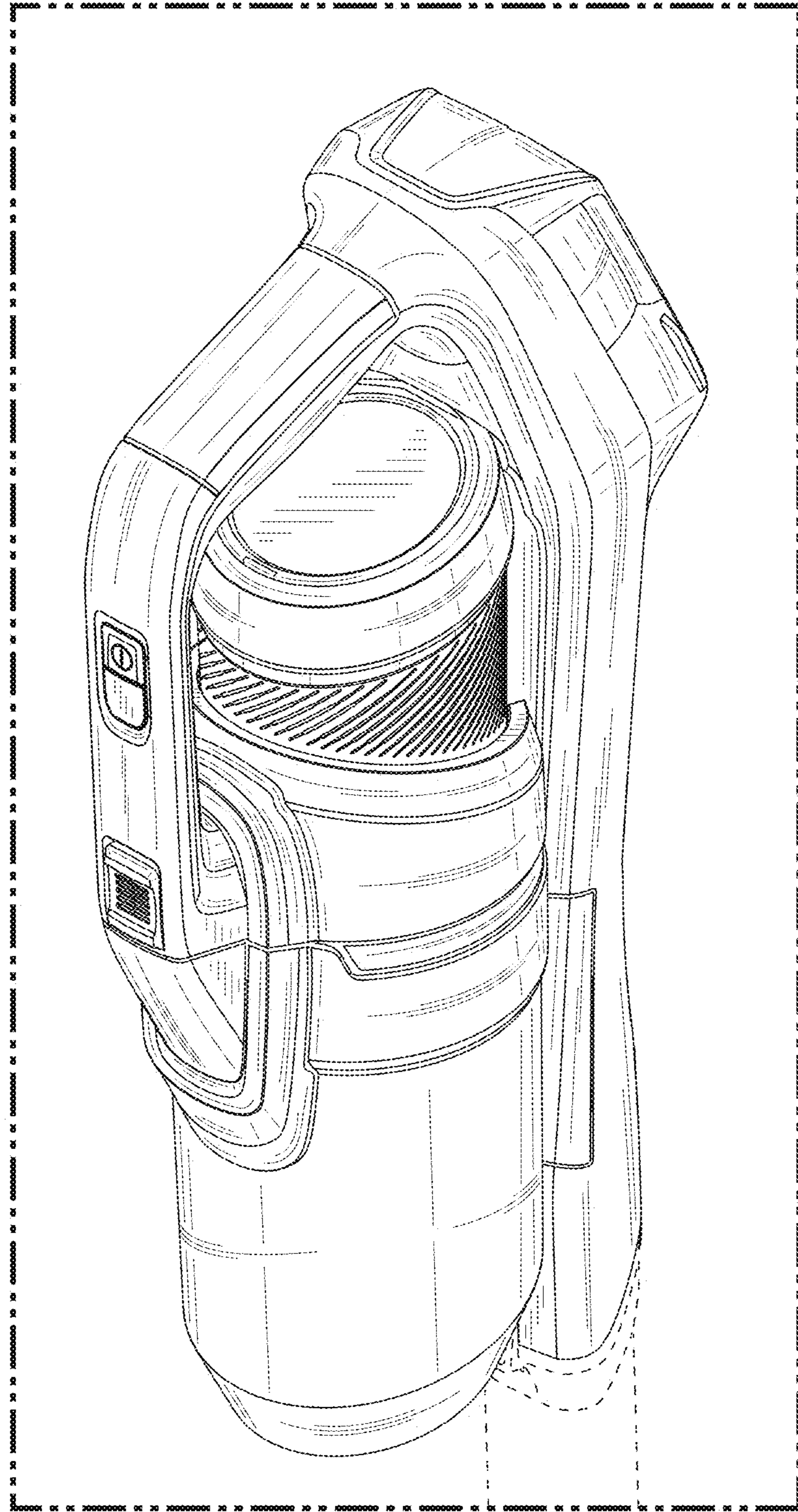


FIG. 7

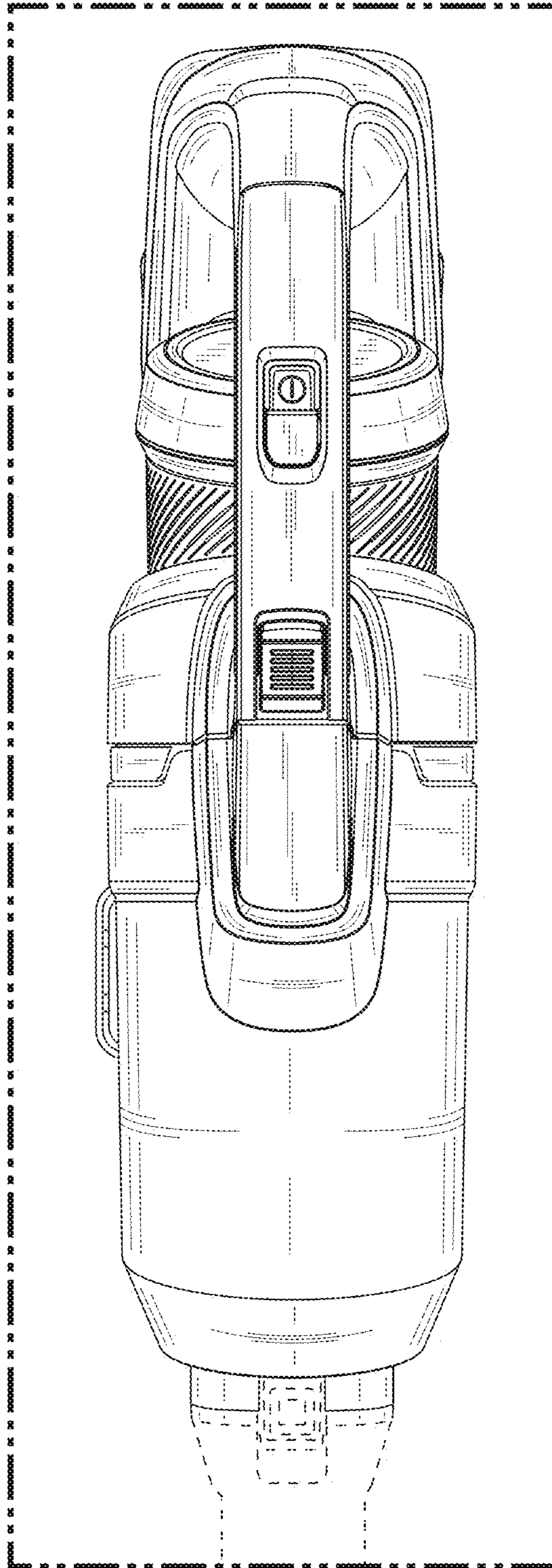


FIG. 8

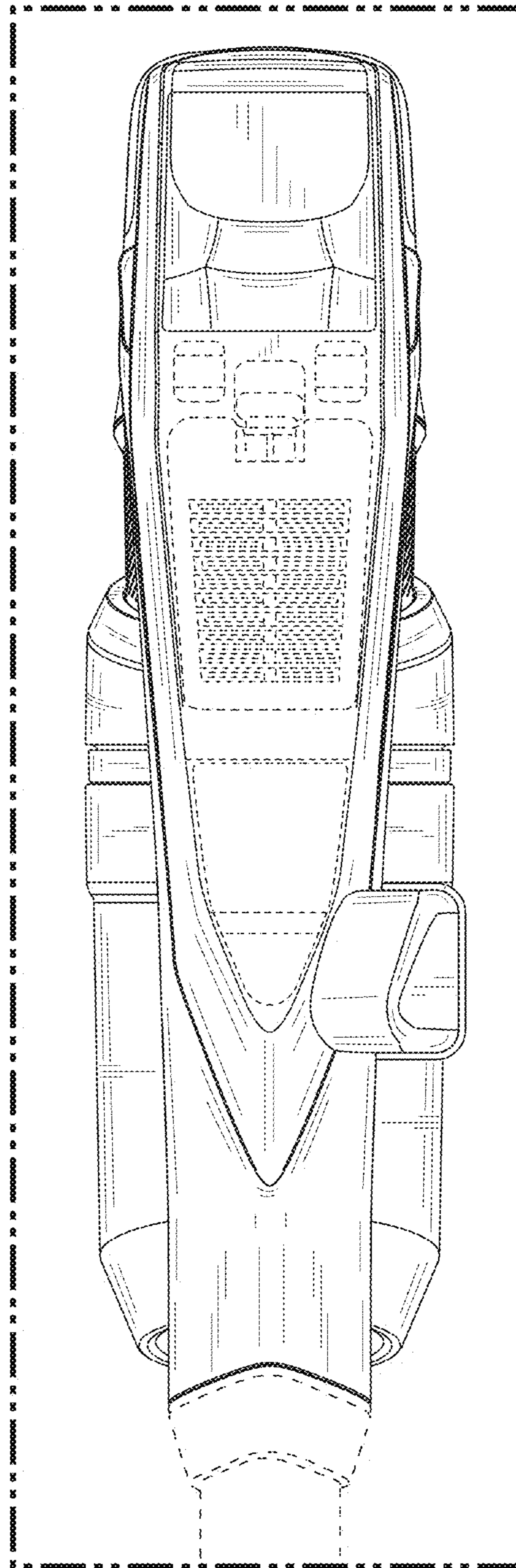


FIG. 9

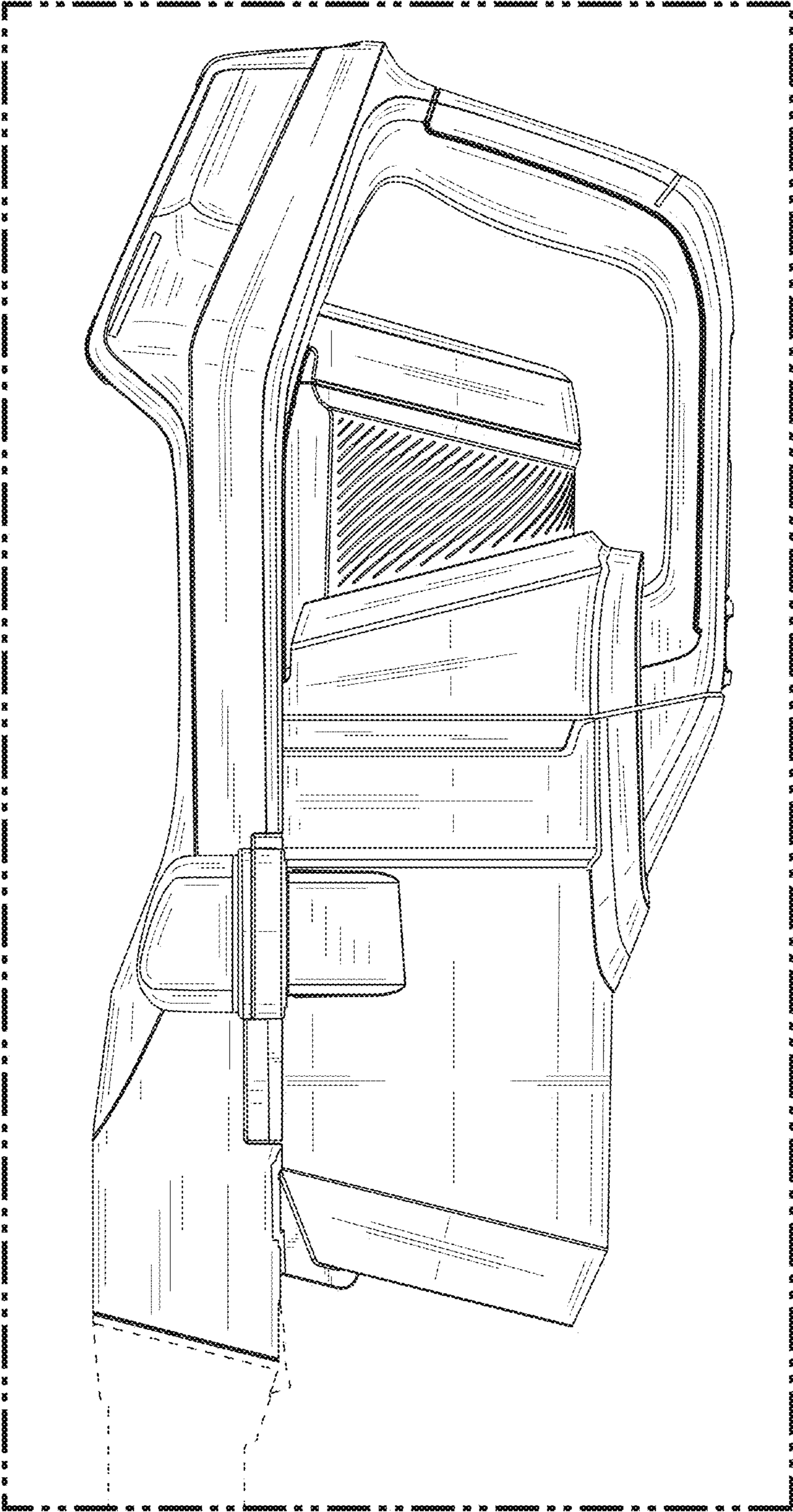


FIG. 10

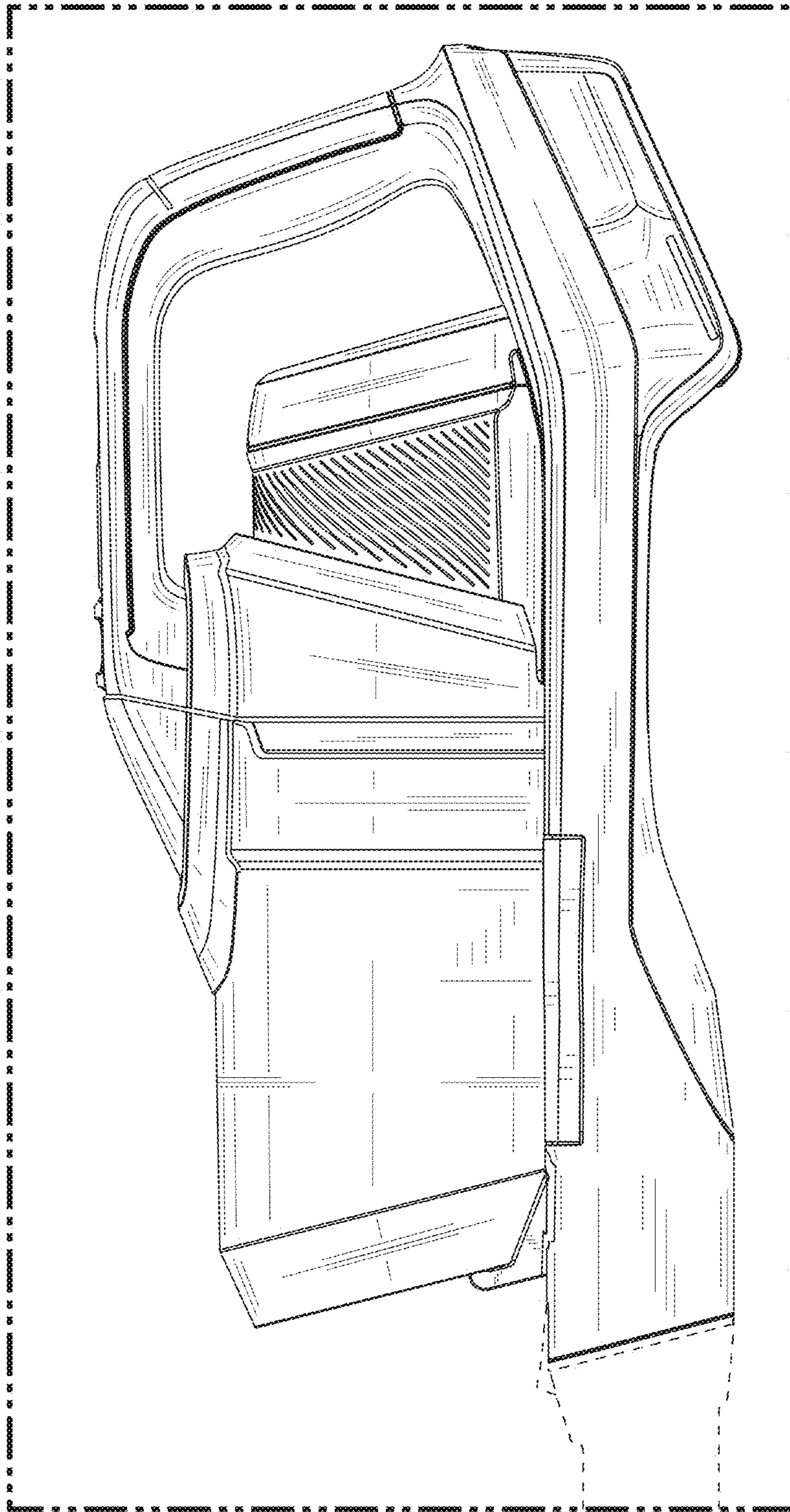


FIG. 11