



US00D984765S

(12) **United States Design Patent**
Shao

(10) **Patent No.:** **US D984,765 S**
(45) **Date of Patent:** **** Apr. 25, 2023**

(54) **PRESSURE WASHER**

(71) Applicant: **Jian Shao**, Zhejiang (CN)

(72) Inventor: **Jian Shao**, Zhejiang (CN)

(**) Term: **15 Years**

(21) Appl. No.: **29/751,876**

(22) Filed: **Sep. 23, 2020**

(51) **LOC (14) Cl.** **15-05**

(52) **U.S. Cl.**
USPC **D32/15**

(58) **Field of Classification Search**
USPC D23/213, 223, 224, 225, 226, 229;
D32/15, 16

CPC B05B 1/16; B05B 1/1618; B05B 7/0018;
B05B 7/0093; B05B 9/01; B05B 12/002

See application file for complete search history.

(56) **References Cited**

U.S. PATENT DOCUMENTS

D576,703	S	*	9/2008	Nathan	D32/15
D630,390	S	*	1/2011	Meyer	D32/15
D660,525	S	*	5/2012	Alexander	D32/15
D711,603	S	*	8/2014	Alexander	D32/16
D728,872	S	*	5/2015	Alexander	D32/15
D739,100	S	*	9/2015	Tatic	D32/15
D743,643	S	*	11/2015	Casey	D32/15
D841,906	S	*	2/2019	Weinberg	D32/15
D894,505	S	*	8/2020	Yang	D32/15
D903,960	S	*	12/2020	Yang	D32/15
D918,499	S	*	5/2021	Xu	D32/15
D931,560	S	*	9/2021	Xu	D32/16
D932,120	S	*	9/2021	Xu	D32/15
D932,717	S	*	10/2021	Xu	D32/15
D938,113	S	*	12/2021	Wang	D32/15

D938,672	S	*	12/2021	Shao	D32/15
D947,471	S	*	3/2022	Yang	D32/16
2017/0225203	A1	*	8/2017	Kloepfer	B08B 3/003
2019/0210074	A1	*	7/2019	Chen	B05B 12/00
2021/0170453	A1	*	6/2021	Kohler Fernandez	..	F04B 17/06
2022/0126329	A1	*	4/2022	Kaupp	F04B 49/225
2022/0280983	A1	*	9/2022	Friederich	B08B 3/028

OTHER PUBLICATIONS

Sun Joe SPX3000, Dec. 23, 2013, Amazon, site visited Nov. 16, 2022: <https://www.amazon.ca/dp/B00CPGMUXW/> (Year: 2013).*
Homdox HD3000 Pressure Washer, Sep. 2, 2020, Amazon, site visited Nov. 16, 2022: <https://www.amazon.ca/dp/B08G1FK59Q/> (Year: 2020).*
Suyncll Pressure Washer, Dec. 23, 2020, Amazon, site visited Nov. 16, 2022: <https://www.amazon.ca/dp/B08P54C45F/> (Year: 2020).*

* cited by examiner

Primary Examiner — Jack Reickel

Assistant Examiner — Bobby W Jones, II

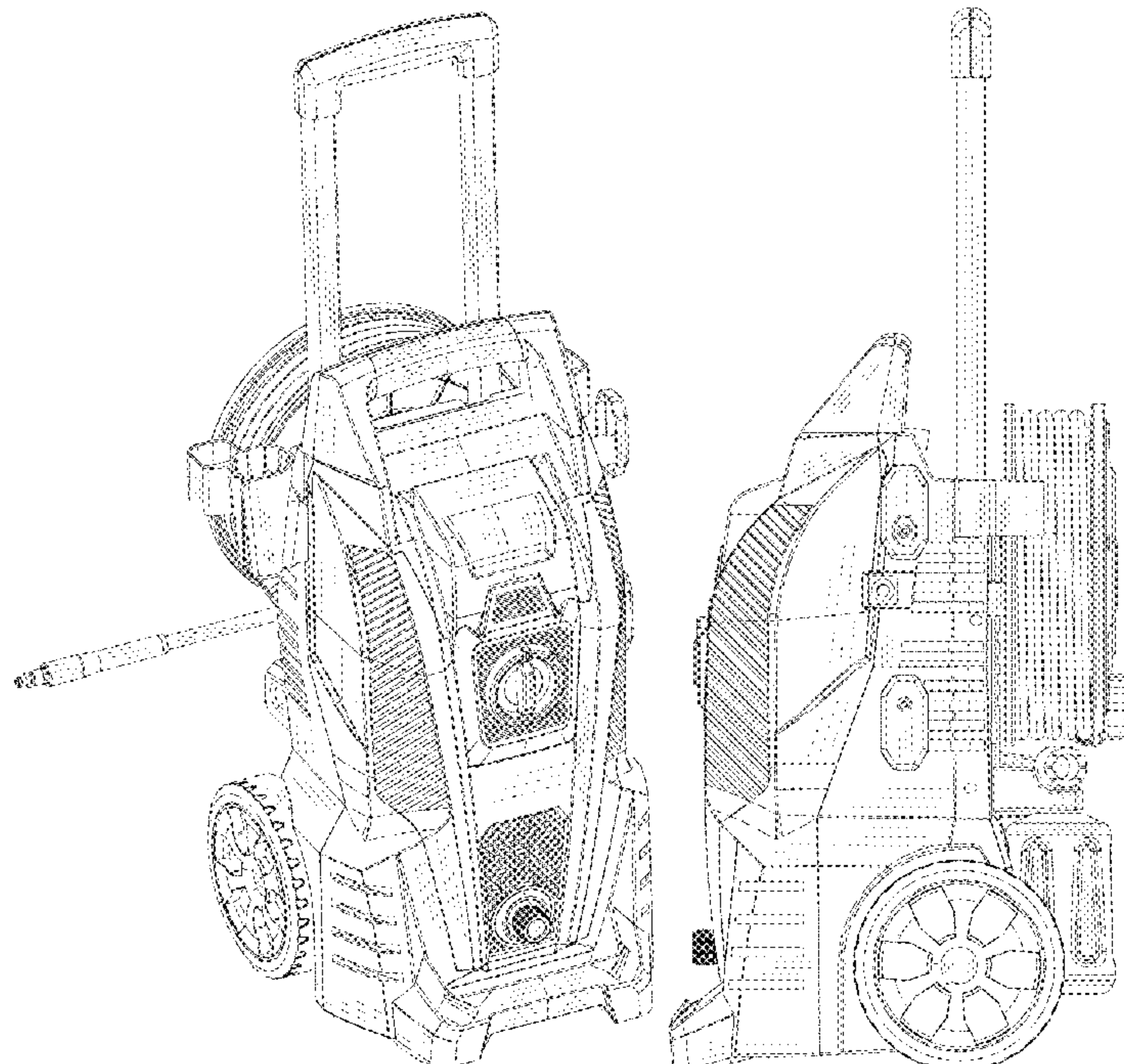
(57) **CLAIM**

The ornamental design for a pressure washer, as shown and described.

DESCRIPTION

FIG. 1 is a front perspective view of a pressure washer showing my new design;
FIG. 2 is a rear and bottom perspective view thereof;
FIG. 3 is a front elevation view thereof;
FIG. 4 is a rear elevation view thereof;
FIG. 5 is a left side elevation view thereof;
FIG. 6 is a right side elevation view thereof;
FIG. 7 is a top plan view thereof; and,
FIG. 8 is a bottom plan view thereof.

1 Claim, 8 Drawing Sheets



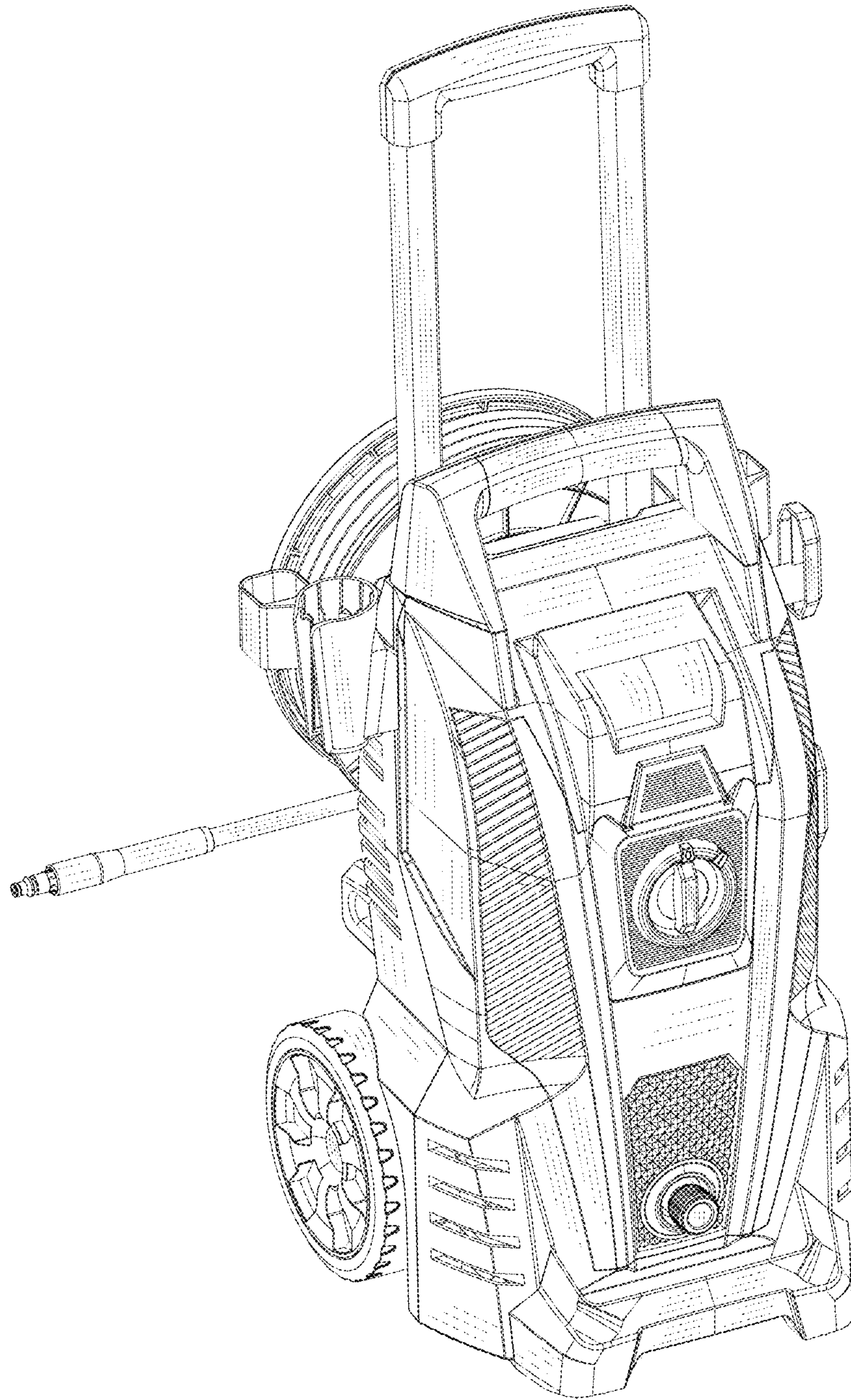


FIG.1

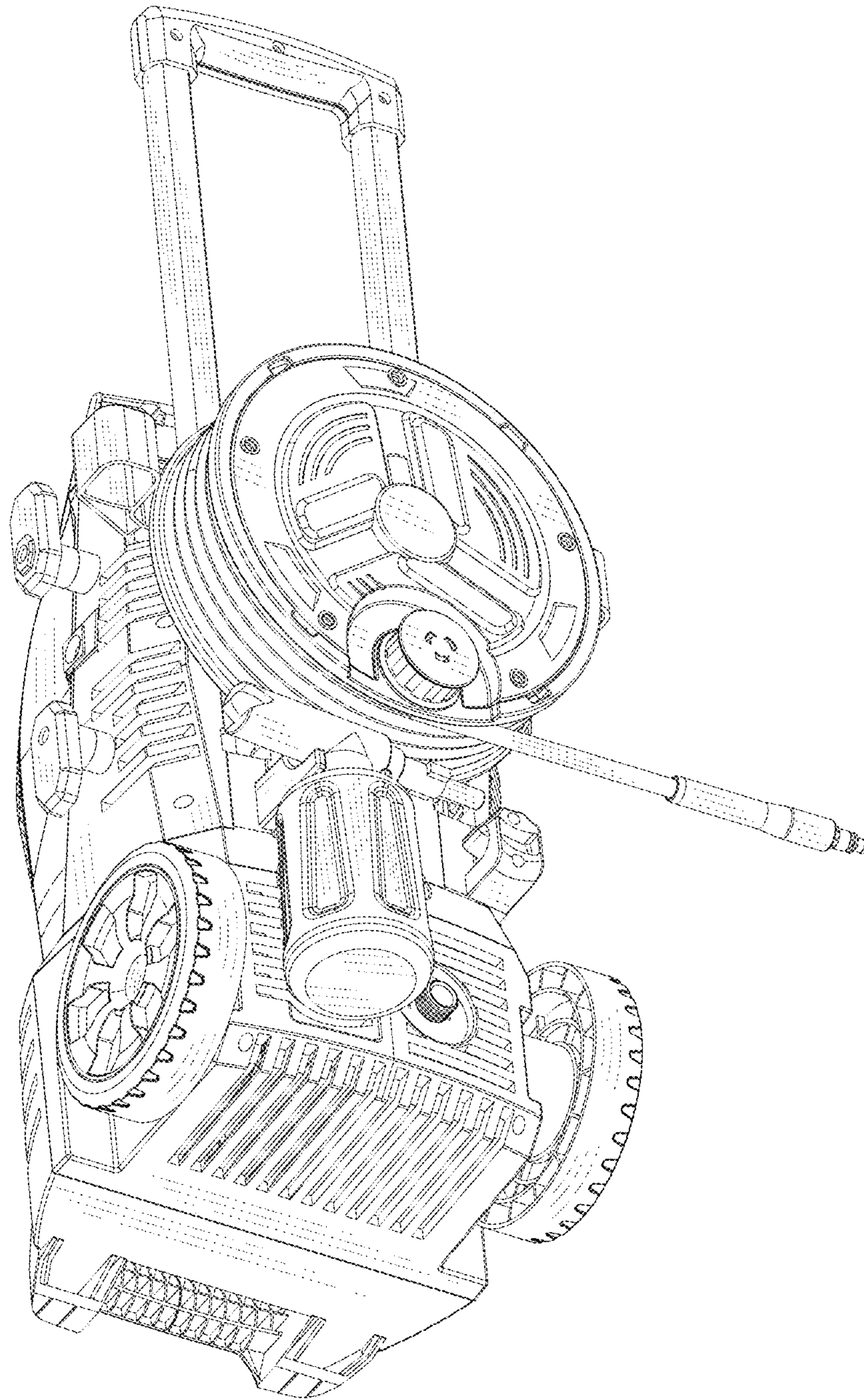


FIG.2

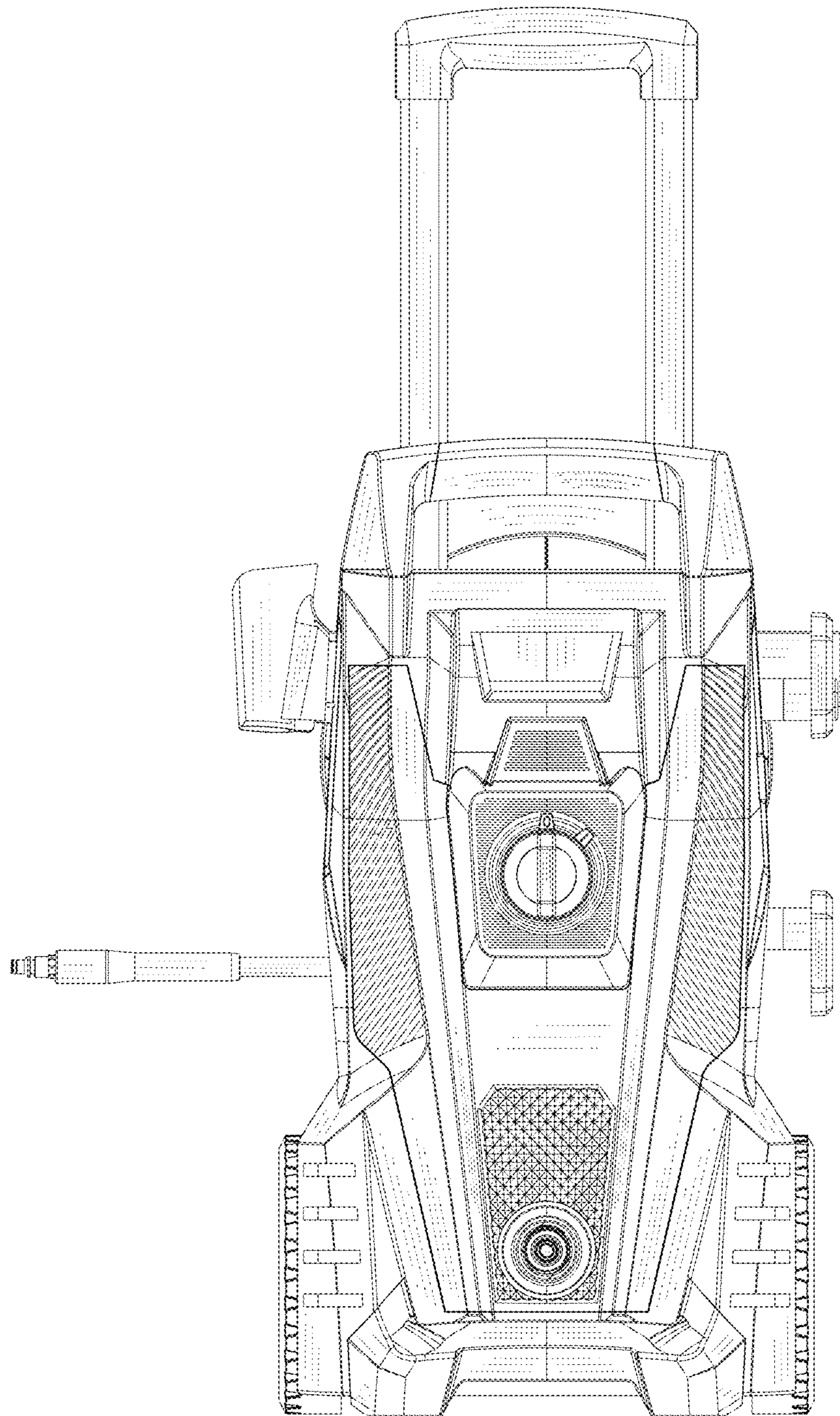


FIG.3

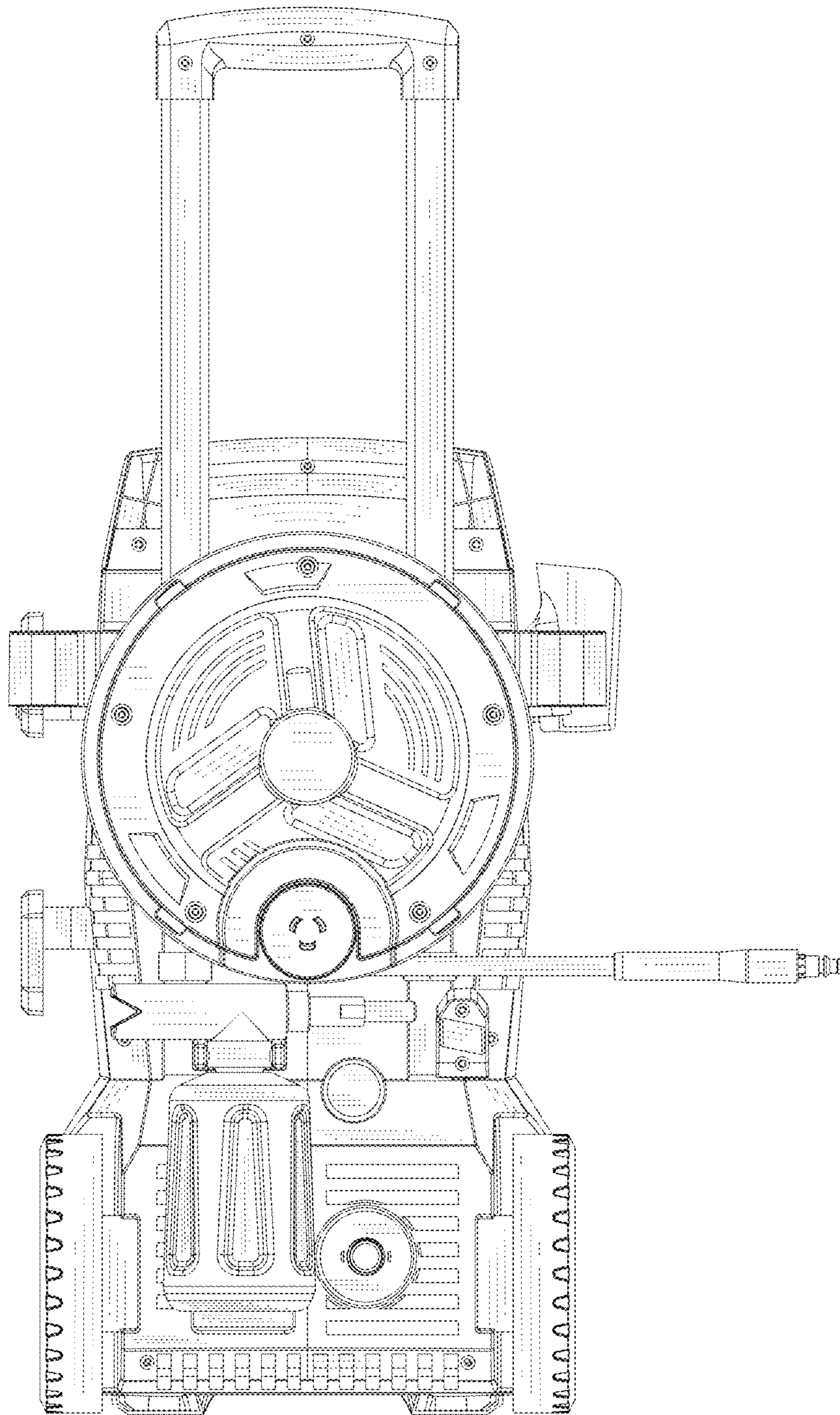


FIG.4

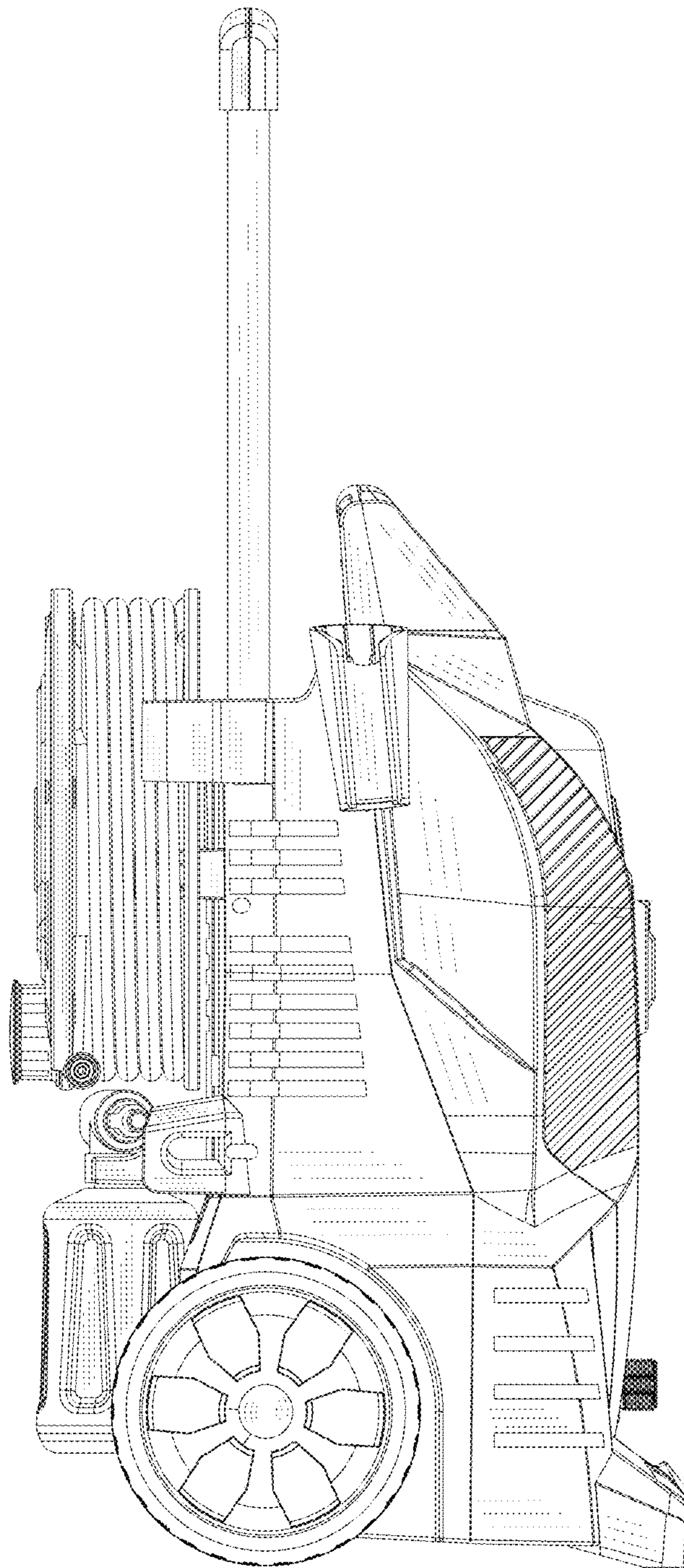


FIG.5

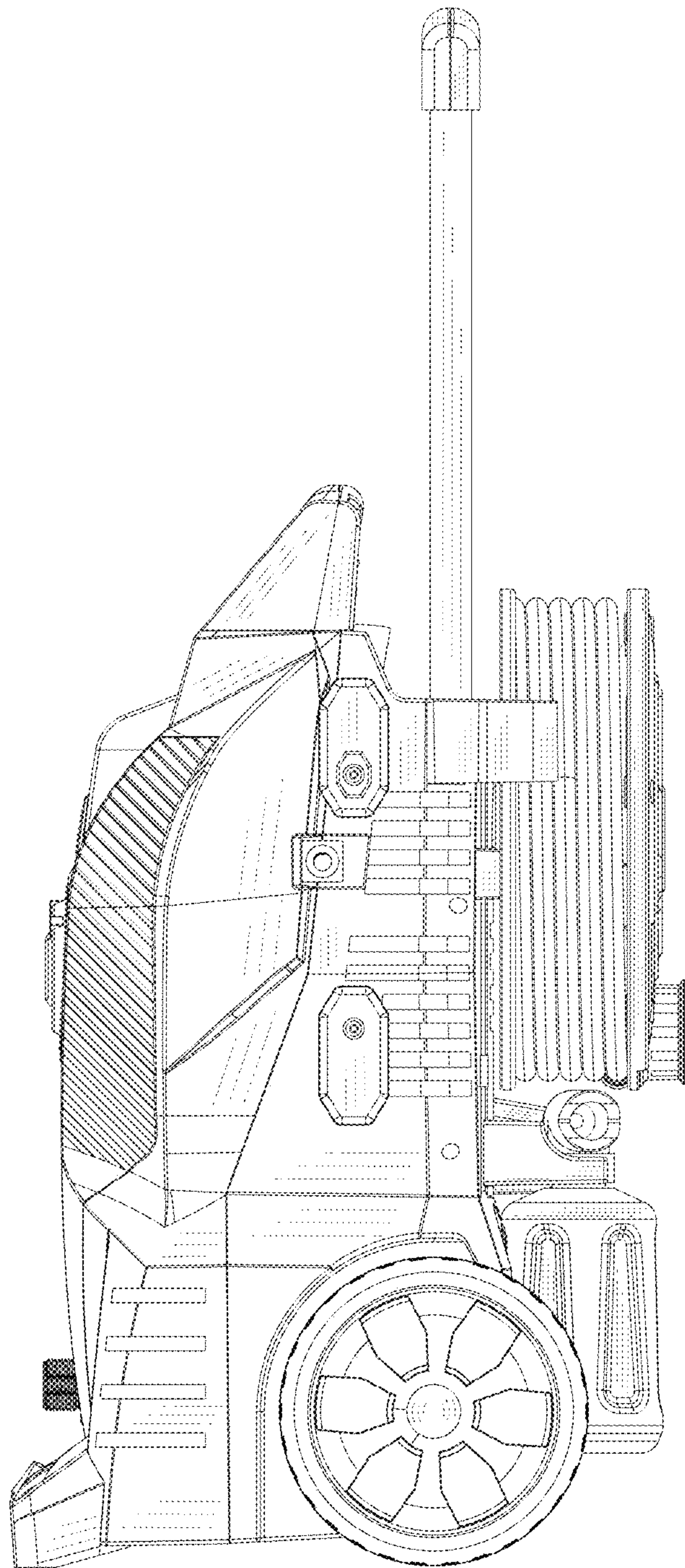


FIG.6

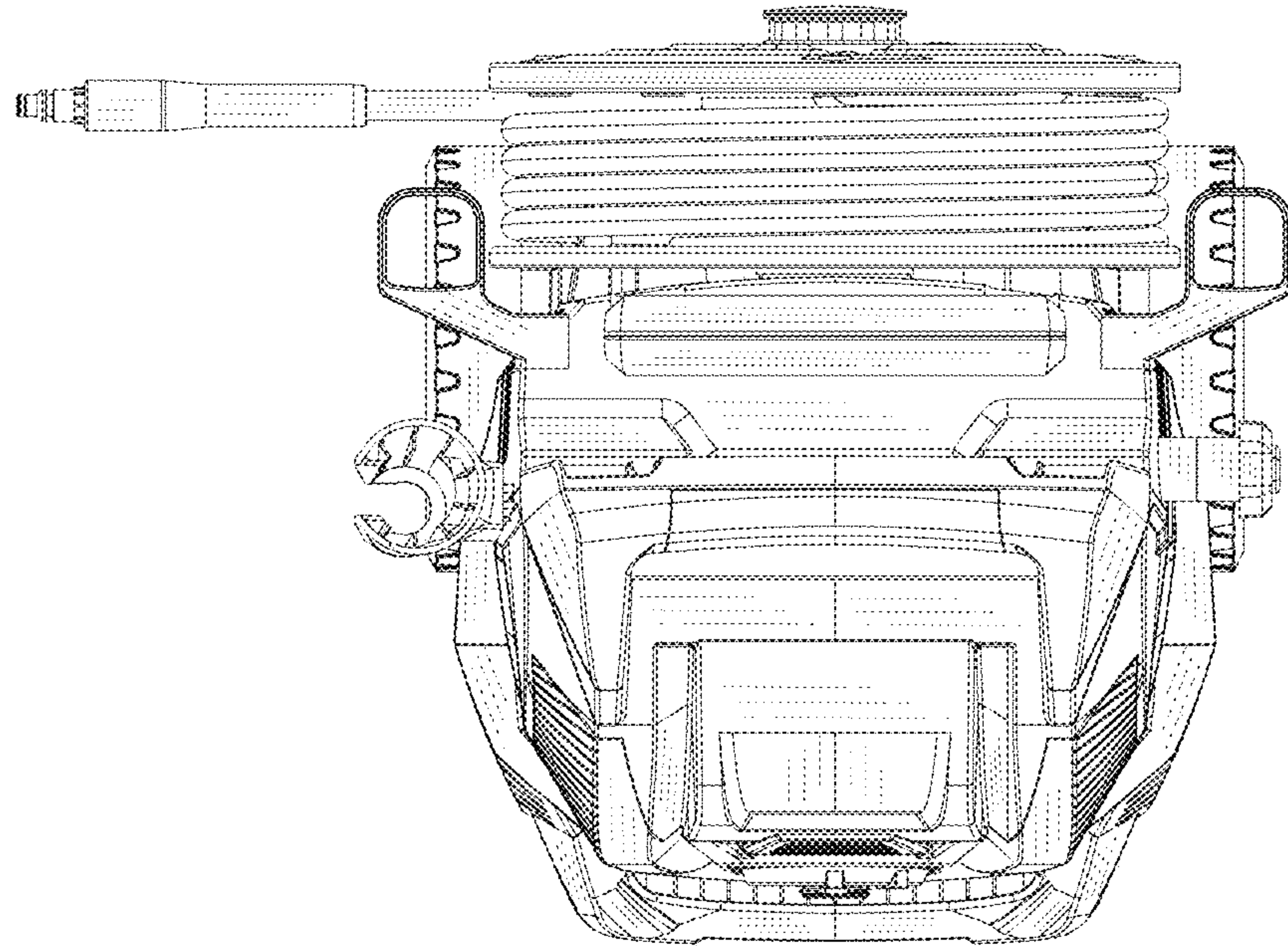


FIG. 7

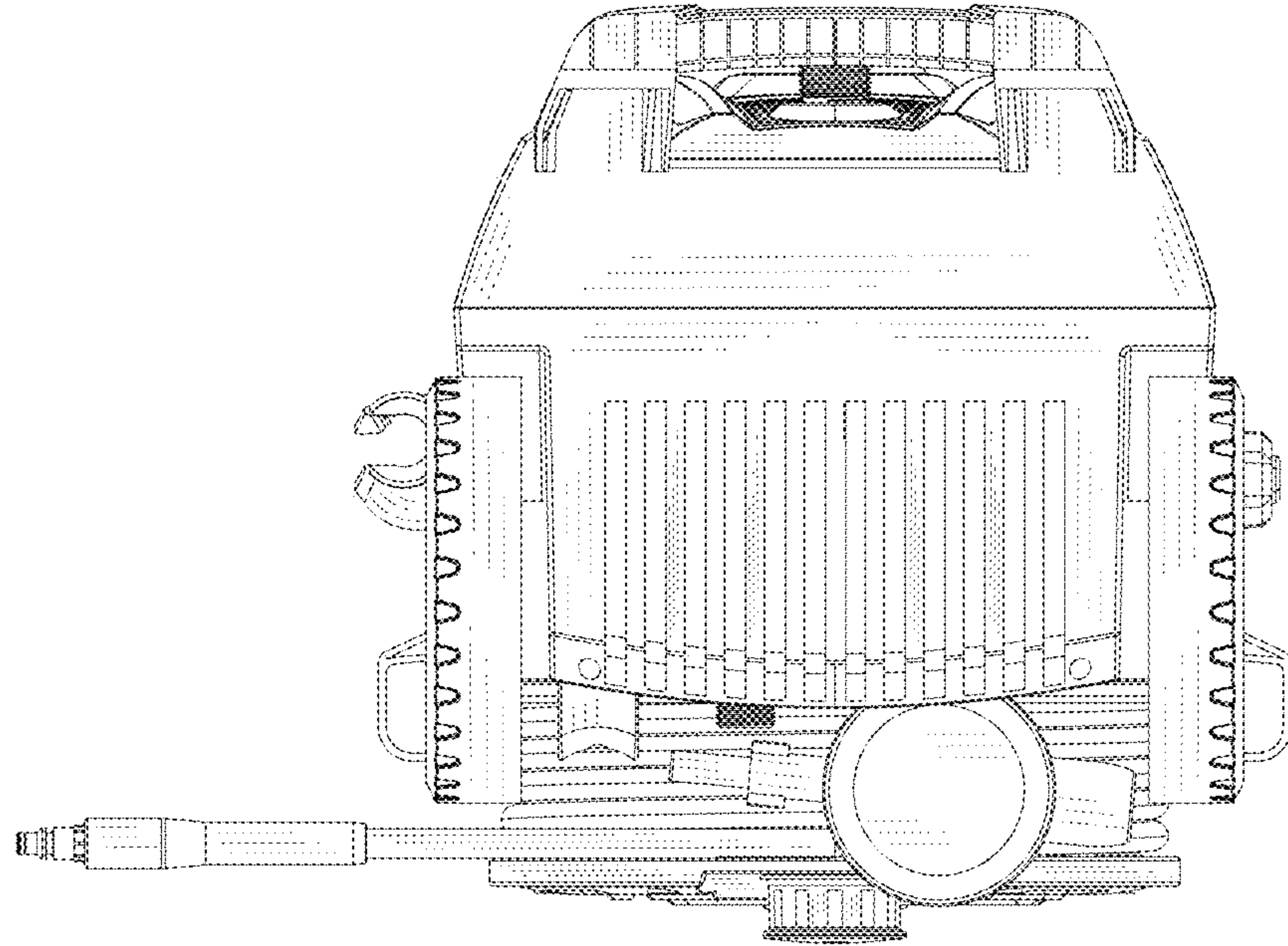


FIG. 8