



US00D984764S

(12) **United States Design Patent**  
**Dai**

(10) **Patent No.:** **US D984,764 S**

(45) **Date of Patent:** **\*\* Apr. 25, 2023**

(54) **SHOE DRYER**

(71) Applicant: **Chunmei Dai**, Shaoyang (CN)

(72) Inventor: **Chunmei Dai**, Shaoyang (CN)

(\*\*) Term: **15 Years**

(21) Appl. No.: **29/881,964**

(22) Filed: **Jan. 9, 2023**

(51) **LOC (14) Cl.** ..... **15-05**

(52) **U.S. Cl.**  
USPC ..... **D32/8**

(58) **Field of Classification Search**  
USPC ..... D32/1, 8, 14.1, 25, 35, 55, 58, 59;  
D2/979; D15/199; D23/366  
CPC ..... A47L 23/205; A47L 23/20; A47L 23/18;  
D06F 2105/32; D06F 29/005; D06F  
58/38; D06F 60/00  
See application file for complete search history.

(56) **References Cited**

**U.S. PATENT DOCUMENTS**

- D224,309 S \* 7/1972 Wolff ..... D32/9
- 4,787,153 A \* 11/1988 Chen ..... A47L 23/205  
34/239
- 5,287,636 A \* 2/1994 Lafleur ..... F26B 21/006  
34/239
- D349,788 S \* 8/1994 Laferriere ..... D32/59
- D417,727 S \* 12/1999 Christianson ..... D23/366
- 6,085,436 A \* 7/2000 Peet ..... D06F 59/04  
34/106
- 6,766,594 B2 \* 7/2004 DuRapau ..... D06F 59/04  
34/104
- D541,493 S \* 4/2007 Peet ..... D32/8
- D565,260 S \* 3/2008 Lam ..... D32/8
- D576,773 S \* 9/2008 Beckett ..... D32/58
- D641,528 S \* 7/2011 Wai ..... D32/58
- 10,197,330 B2 \* 2/2019 Stewart ..... A61L 2/10
- D869,106 S \* 12/2019 Schmidt ..... D32/58
- D872,393 S 1/2020 Xiao
- D943,224 S 2/2022 Zhang

- D967,572 S 10/2022 Zhang
- 2005/0097768 A1 \* 5/2005 Burns, Sr. .... D06F 59/04  
34/90
- 2011/0131827 A1 \* 6/2011 John ..... D06F 59/04  
34/72

(Continued)

**FOREIGN PATENT DOCUMENTS**

CA 203935 \* 11/2022

**OTHER PUBLICATIONS**

DryGuy 2207 Force Dry Boot Dryer, available in Amazon.com, date first available Oct. 5, 2016 [online], [site visited Mar. 9, 2023], Available from the internet URL: [https://www.amazon.com/DryGuy-Force-Dryer-Glove-Articulating/dp/B01LZE505J/ref=sr\\_1\\_1](https://www.amazon.com/DryGuy-Force-Dryer-Glove-Articulating/dp/B01LZE505J/ref=sr_1_1) (Year: 2016).\*

(Continued)

*Primary Examiner* — Jennifer Rivard  
*Assistant Examiner* — Jennylou M Binas  
(74) *Attorney, Agent, or Firm* — Jeenam Park

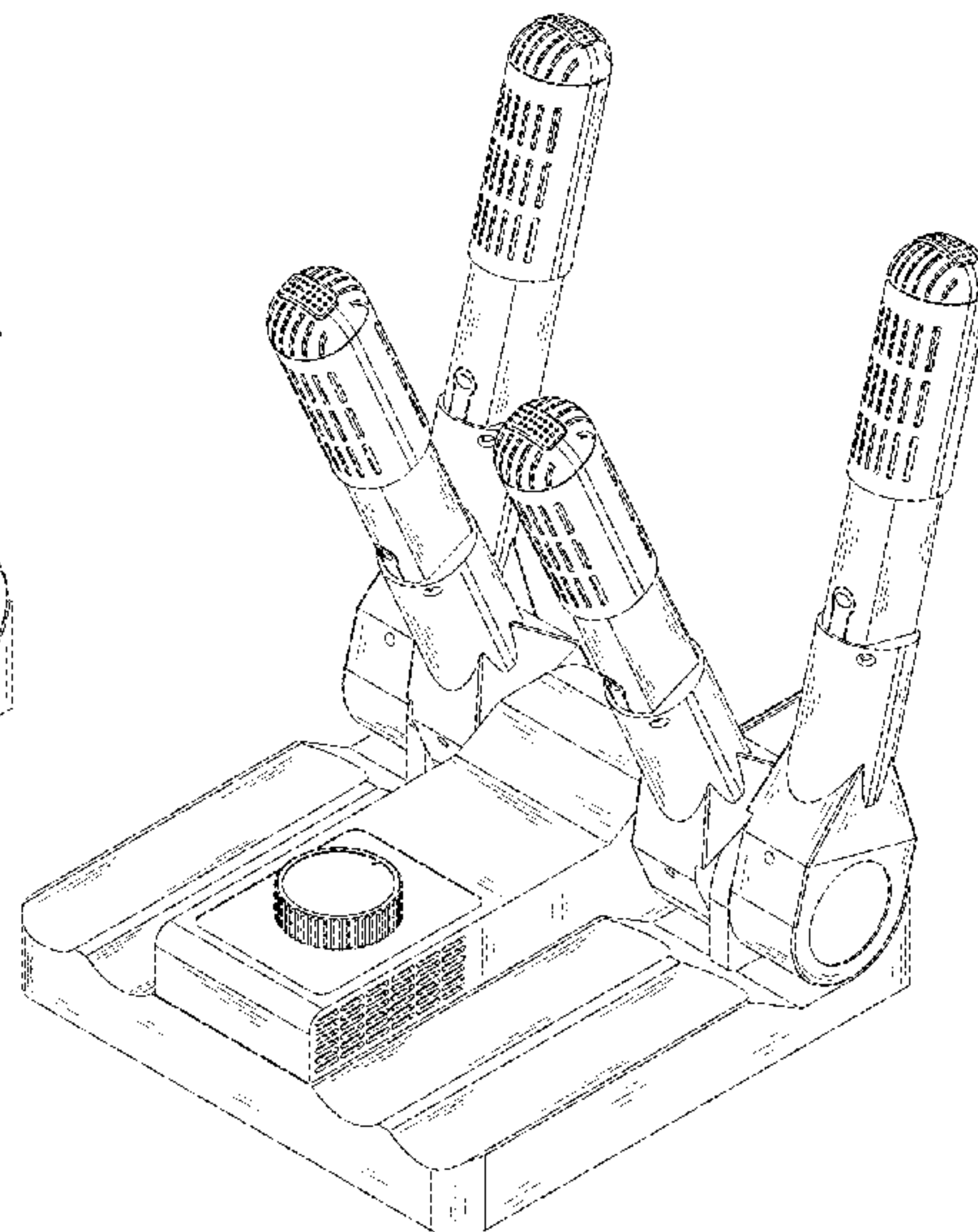
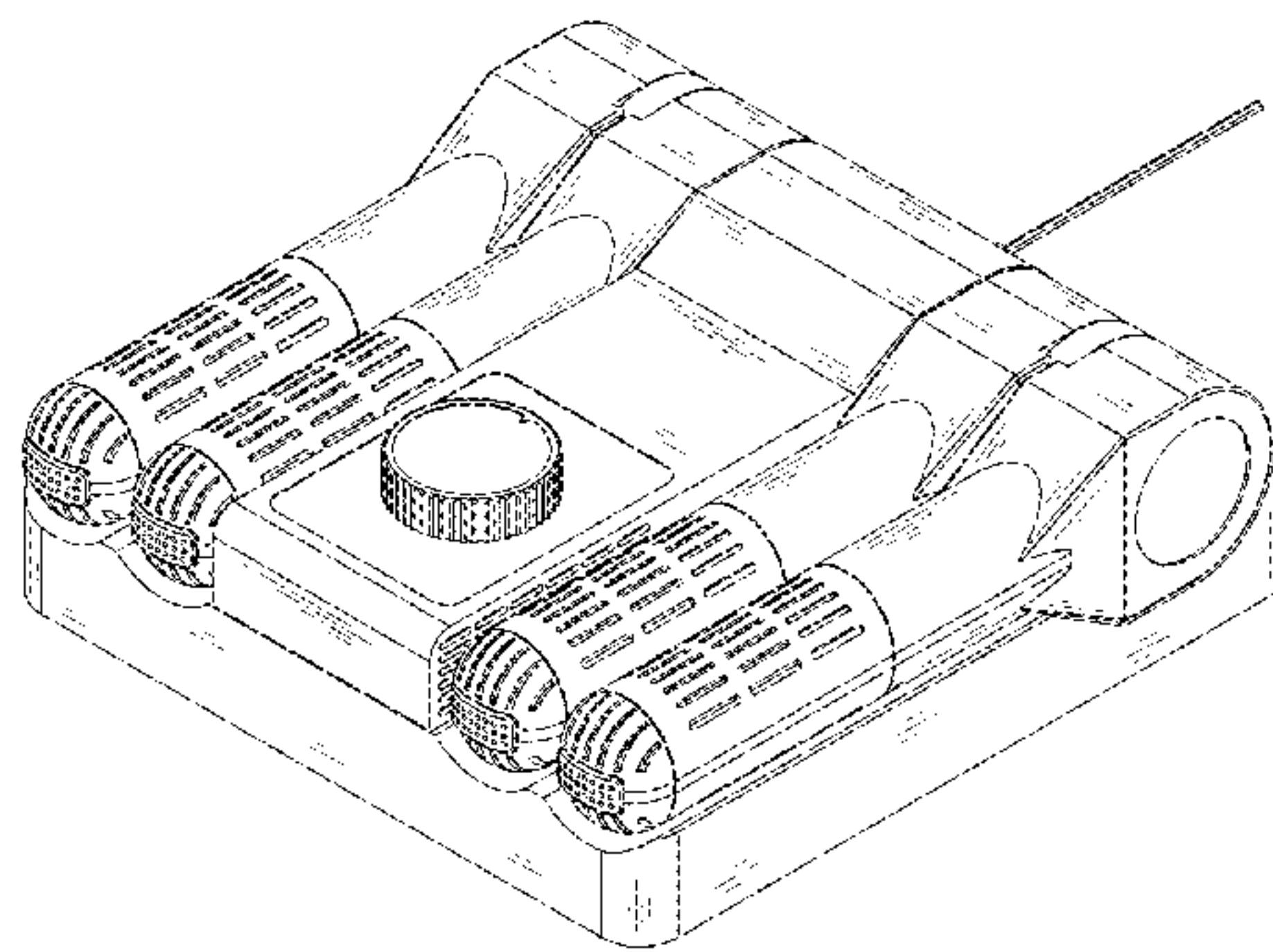
(57) **CLAIM**

The ornamental design for a shoe dryer, as shown and described.

**DESCRIPTION**

FIG. 1 is a front, right and top perspective view of a shoe dryer, showing my new design;  
FIG. 2 is a perspective view showing an open configuration of the shoe dryer;  
FIG. 3 is a front view of FIG. 1;  
FIG. 4 is a rear view thereof;  
FIG. 5 is a left side view thereof;  
Fig. 6 is a right side view thereof;  
FIG. 7 is a top plan view thereof; and,  
FIG. 8 is a bottom plan view thereof.

**1 Claim, 8 Drawing Sheets**



(56)

**References Cited**

U.S. PATENT DOCUMENTS

2021/0121043 A1\* 4/2021 Lin ..... A47L 23/205  
2021/0145247 A1\* 5/2021 Lin ..... A47L 23/205

OTHER PUBLICATIONS

DryGuy DX Forced Air Boot Dryer and Garment Dryer, available in Amazon.com, date first available Jun. 23, 2015 [online], [site visited Mar. 9, 2023], Available from the internet URL: [https://www.amazon.com/DryGuy-Forced-Boot-Dryer-Garment/dp/B010A5J5FU/ref=pd\\_rhf\\_d\\_dp\\_s\\_pd\\_crd\\_scl\\_2\\_4/135-3738711-4883332](https://www.amazon.com/DryGuy-Forced-Boot-Dryer-Garment/dp/B010A5J5FU/ref=pd_rhf_d_dp_s_pd_crd_scl_2_4/135-3738711-4883332) (Year: 2015).\*

\* cited by examiner

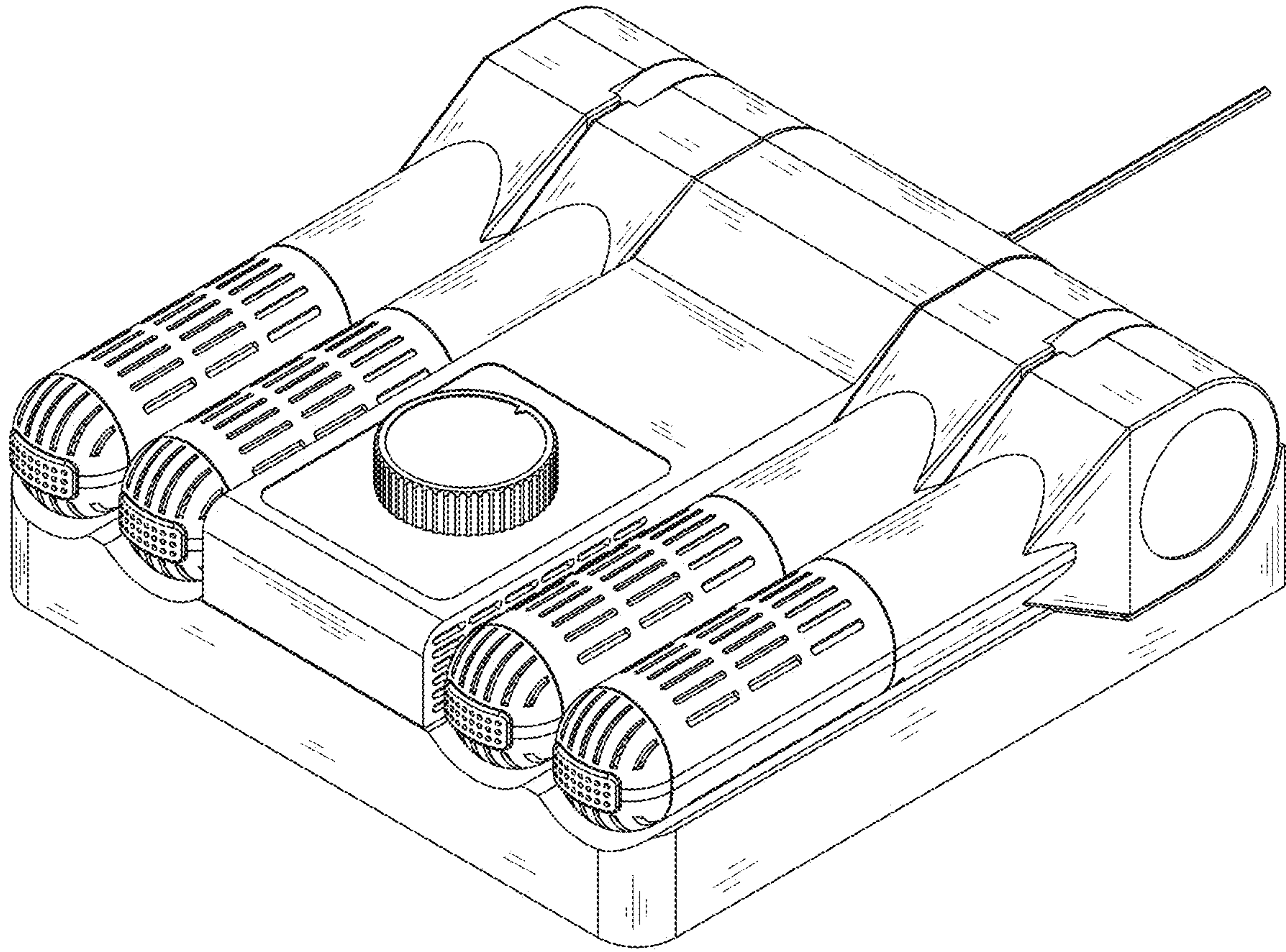


FIG. 1



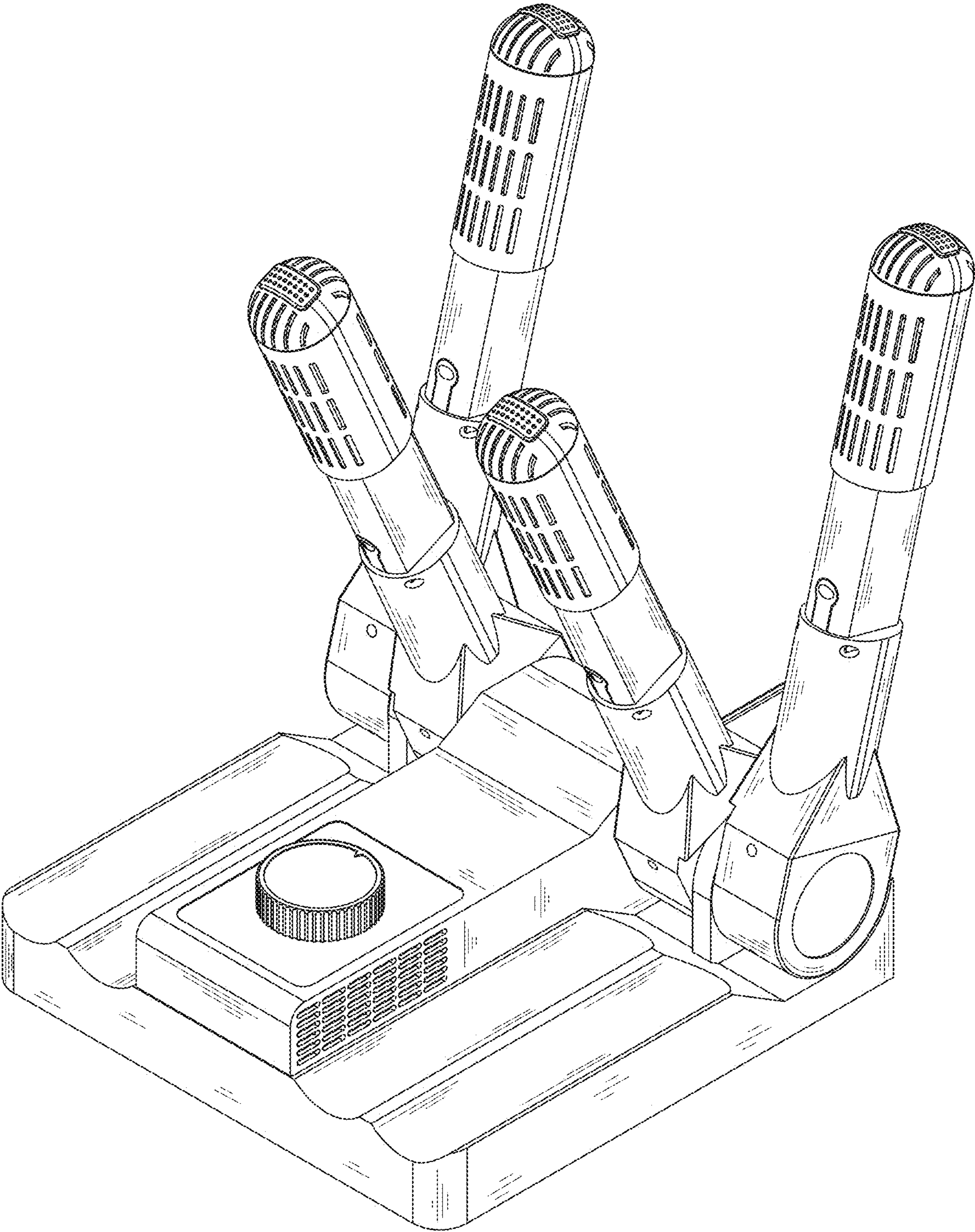


FIG. 2

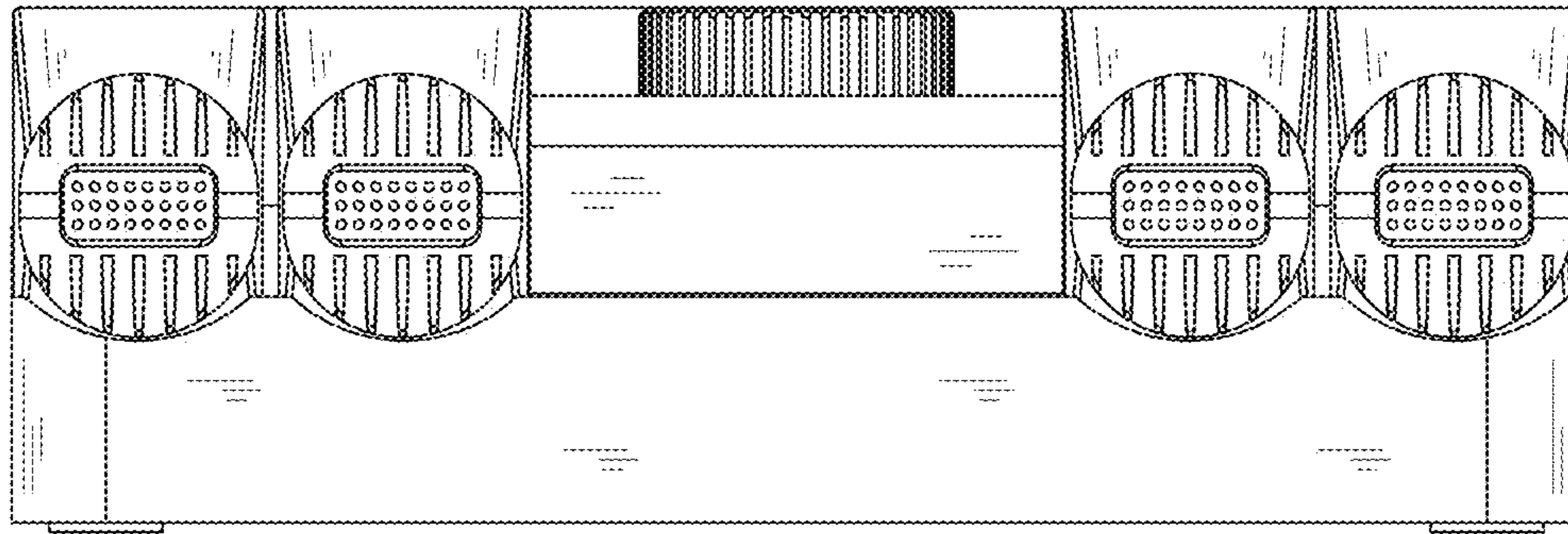


FIG. 3

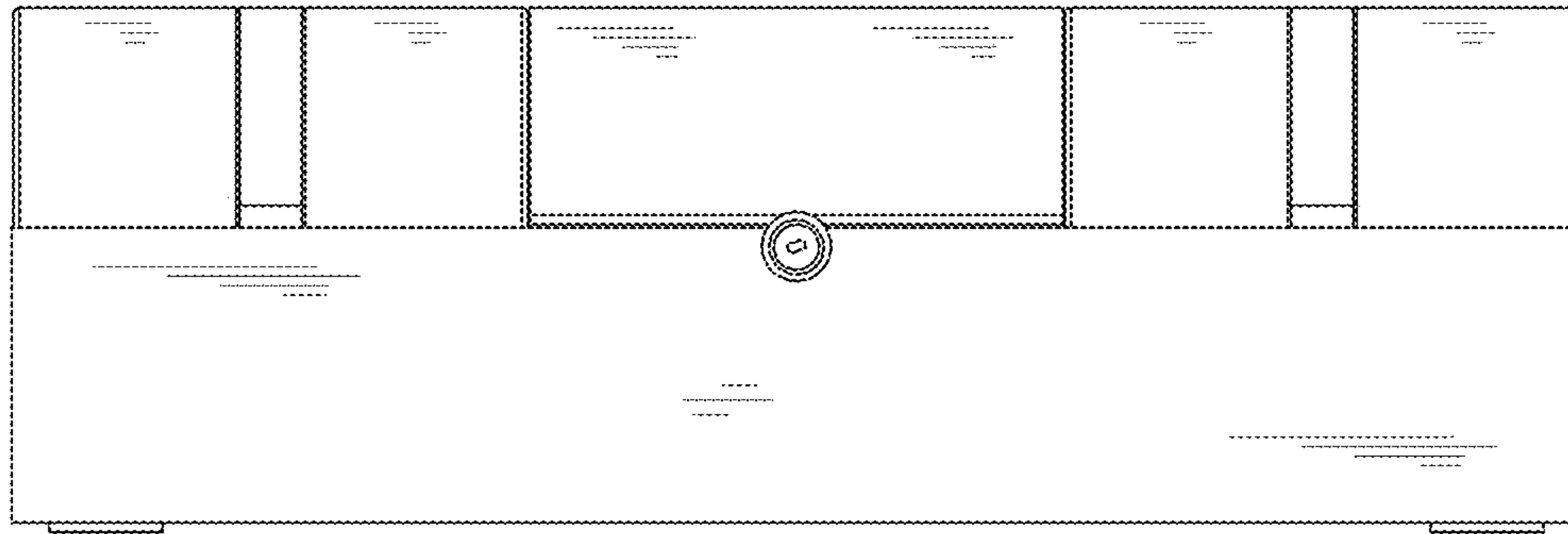


FIG. 4

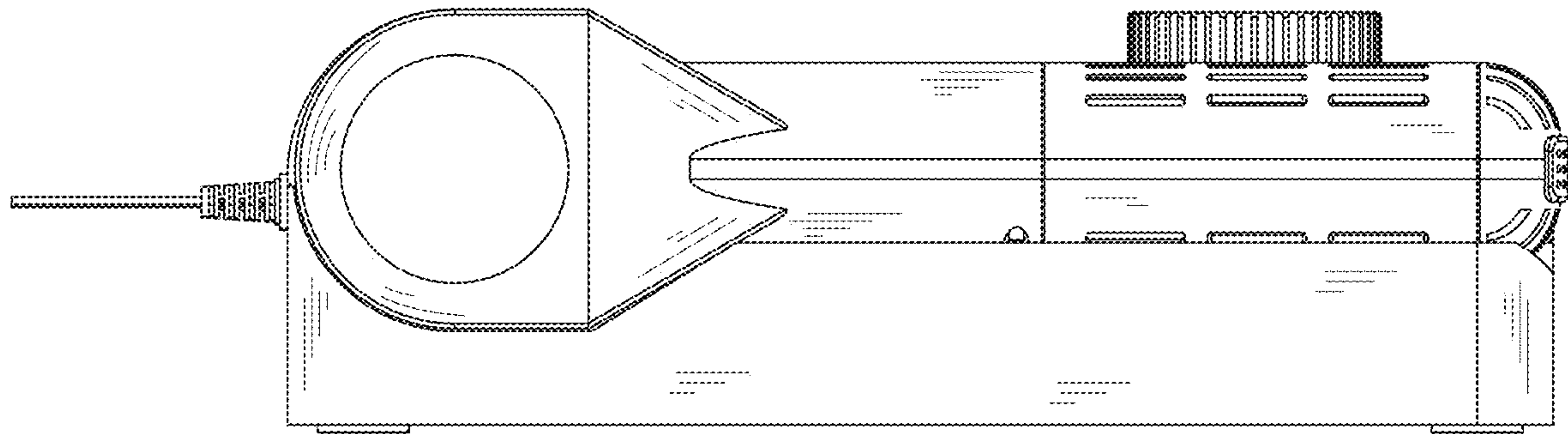


FIG. 5

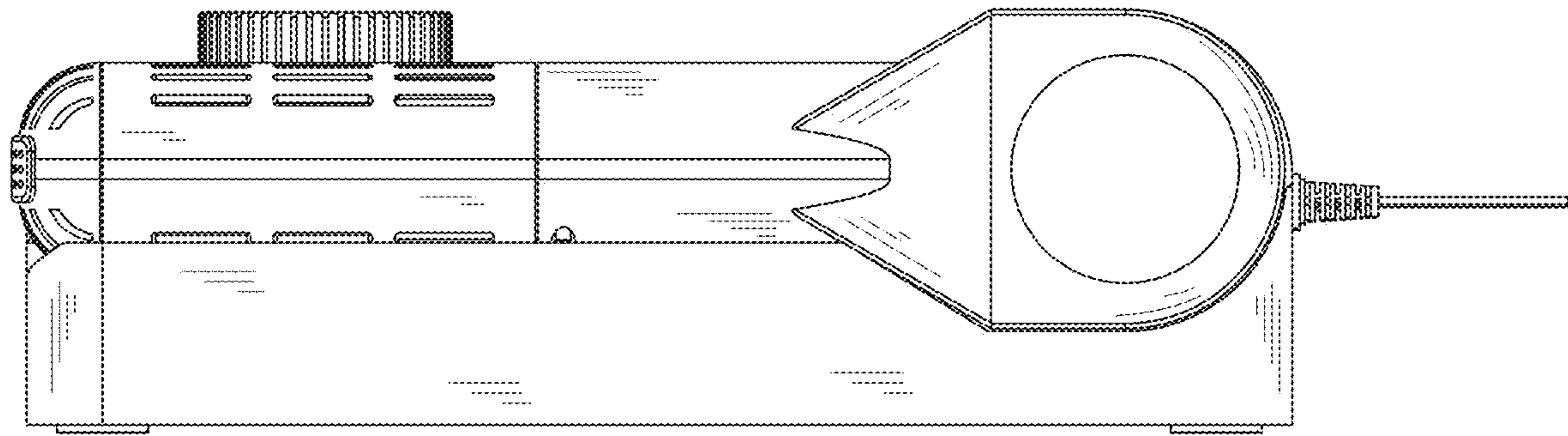


FIG. 6



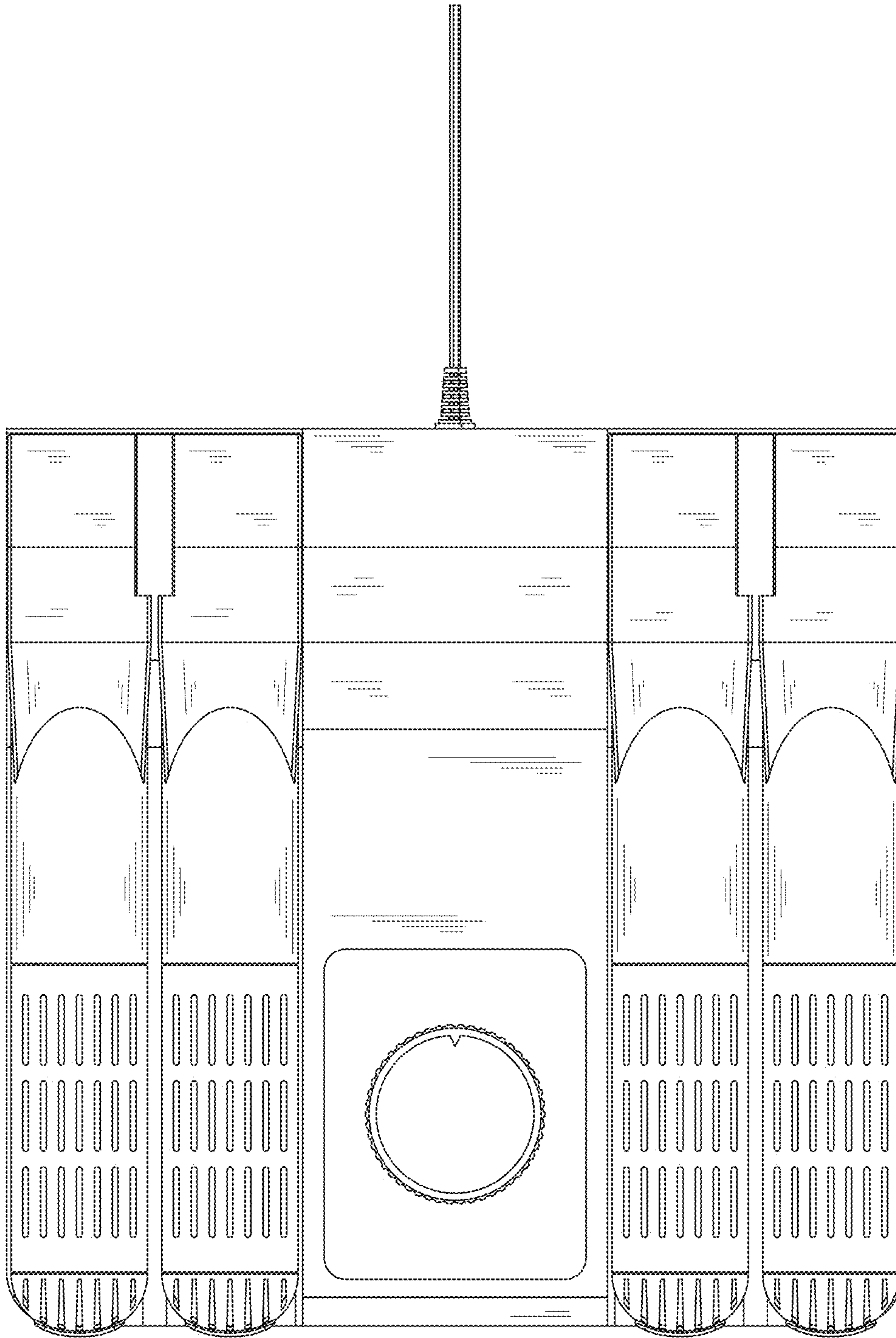


FIG. 7

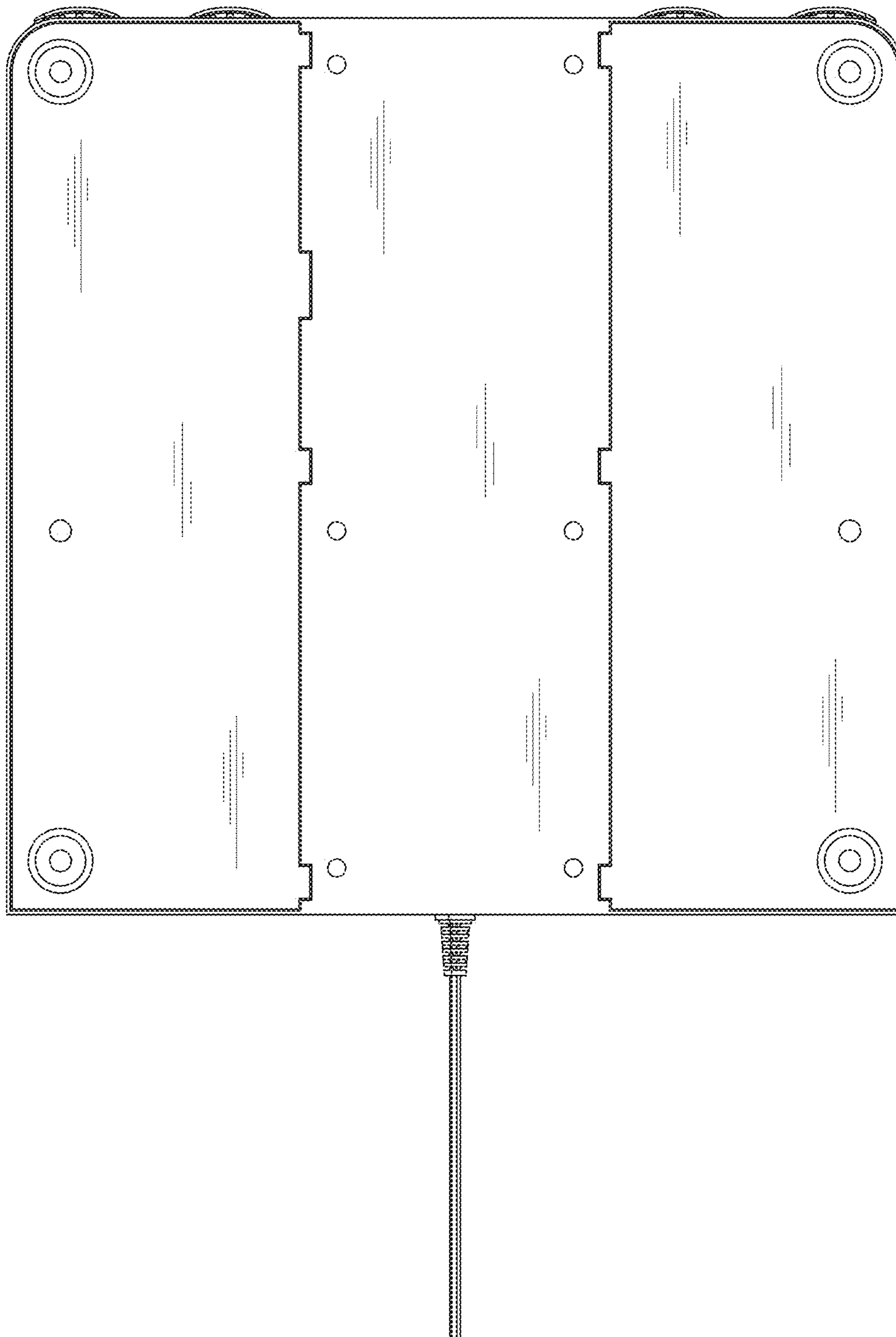


FIG. 8