



US00D984763S

(12) **United States Design Patent**  
**Yang**

(10) **Patent No.:** **US D984,763 S**  
(45) **Date of Patent:** **\*\* Apr. 25, 2023**

(54) **DOG TRAINER REMOTE CONTROL**

(71) Applicant: **Ting Yang**, Xiangyang (CN)

(72) Inventor: **Ting Yang**, Xiangyang (CN)

(\*\*) Term: **15 Years**

(21) Appl. No.: **29/859,125**

(22) Filed: **Nov. 7, 2022**

(51) **LOC (14) Cl.** ..... **30-99**

(52) **U.S. Cl.**

USPC ..... **D30/199**; D10/104.1

(58) **Field of Classification Search**

USPC ..... D30/151-155, 144, 199, 160;  
119/792-798, 850, 855-859, 863-865,  
119/654, 905, 907, 815, 712, 802, 784,  
119/769, 760, 776, 862, 908, 860,  
119/719-721; 242/381.1-381.2, 385.4,  
242/378.3, 376.1, 385.1, 916, 601, 570,  
242/405, 404, 371, 223, 170, 388.1,  
242/405.2, 377, 381.3, 381.6, 405.3,  
242/388.6, 384.7, 382, 396.1, 404.1, 380;  
362/108; 33/767, 769, 414; D12/400;  
D3/229, 230, 207, 208, 215; 40/1.5, 455,  
40/640, 303; 206/63.3, 459.5, 702, 408;  
D6/515; D8/358, 360, 347, 360.1, 359,  
D8/356, DIG. 1; D24/145, 167, 186, 146,  
D24/169; D10/57, 72, 106.1, 104.1,  
D10/104.2, 109.2, 70, 97, 98, 78, 65;  
D20/28; 224/666, 678; 16/445; 283/74,  
283/70; D11/232, 200, 216, 1, 2, 86, 87,  
D11/201, 206-210, 212-215, 218;  
24/163 K, 122.3, 323, 702, 600.4-600.7,  
24/163 R, 169-171, 173, 177-179, 191,  
24/194, 195, 197, 200, 303, 616, 635,  
24/313, 615, 3, 6, 3 K, 599.2, 96, 221,  
24/237, 311, 312, 314, 321, 338, 339,  
24/309; 428/3, 4; 54/76, 1, 71; 63/29.1,  
63/3; 191/12.2 R, 12.4; D13/154, 153,

D13/137.4, 155, 103, 168; D19/69, 67;  
379/438; 446/26; 473/576; D22/140;  
174/135; 439/504, 13, 501; D34/33;  
188/83, 82.1, 65.1; 254/134.3 FT;  
D29/124; D2/627, 624, 633, 625;  
132/145, 146, 148; 2/314; 59/79.1;  
340/573.3, 573.1, 573, 573.4,  
340/539.13-539.19; 343/895;  
278/8 AES; 231/7; 361/232; D14/344,  
D14/341, 137, 155, 496, 203.5, 203.3,  
D14/144, 218, 188, 216, 192;

(Continued)

(56)

**References Cited**

U.S. PATENT DOCUMENTS

D395,882 S \* 7/1998 Oross ..... D14/137  
D482,630 S \* 11/2003 So ..... D30/199

(Continued)

*Primary Examiner* — Susan Moon Lee

(57)

**CLAIM**

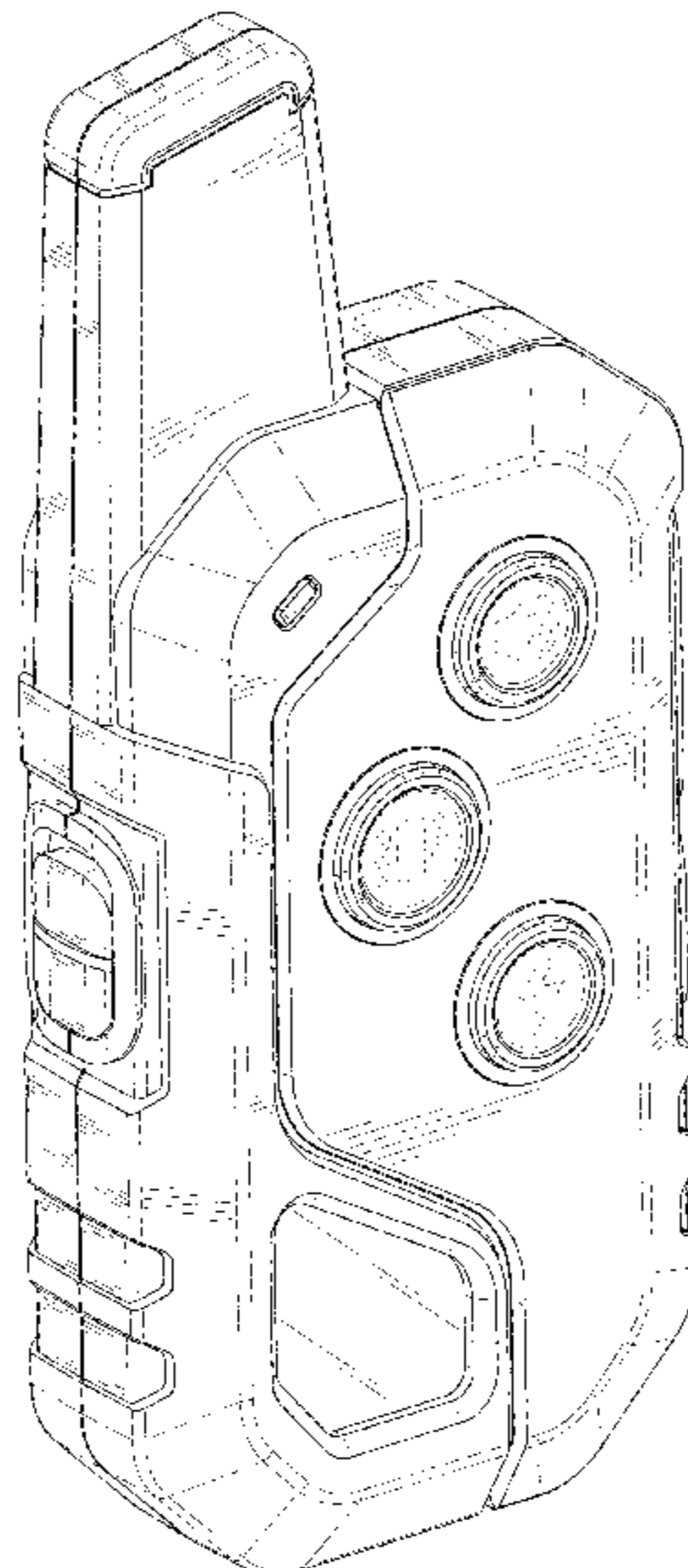
The ornamental design for a dog trainer remote control, as shown and described.

**DESCRIPTION**

FIG. 1 is a front, left and top perspective view of a dog trainer remote control showing my new design;  
FIG. 2 is a rear, right and bottom perspective view thereof;  
FIG. 3 is a front view thereof;  
FIG. 4 is a rear view thereof;  
FIG. 5 is a left side view thereof;  
FIG. 6 is a right side view thereof;  
FIG. 7 is a top plan view thereof; and,  
FIG. 8 is a bottom plan view thereof.

The broken lines in the figures illustrate portions of the dog trainer remote control that form no part of the claimed design.

**1 Claim, 8 Drawing Sheets**



(58) **Field of Classification Search**

USPC ..... 342/357.51, 357.57, 357.52, 357.55;  
 455/100, 352, 456.1, 550.1; 315/291  
 CPC .... A01K 15/021; A01K 15/02; A01K 15/022;  
 A01K 15/023; A01K 15/029; A01K  
 15/04; A01K 15/00; A01K 15/006; A01K  
 12/022; A01K 27/009; A01K 27/00;  
 A01K 27/001; A01K 27/006-008; A01K  
 29/005; A01K 29/00; A61B 5/0002-0028;  
 A61B 5/681; A61B 5/6822; A61B  
 5/6824; A61B 5/6829; G01S 5/0294

See application file for complete search history.

(56) **References Cited**

U.S. PATENT DOCUMENTS

D514,527 S \* 2/2006 DiPasquale ..... D13/168  
 D685,757 S \* 7/2013 Liu ..... D14/155  
 D711,848 S \* 8/2014 Liu ..... D14/155  
 D737,004 S \* 8/2015 Russell ..... D30/199

D835,861 S \* 12/2018 Li ..... D30/199  
 D879,390 S \* 3/2020 Cai ..... D10/104.1  
 D883,829 S \* 5/2020 Nytko ..... D10/104.1  
 D897,057 S \* 9/2020 Jia ..... D10/104.1  
 D899,016 S \* 10/2020 Jia ..... D10/104.1  
 D915,319 S \* 4/2021 Tschopp ..... D14/137  
 D924,826 S \* 7/2021 Tschopp ..... D14/137  
 D925,485 S \* 7/2021 Wang ..... D14/137  
 D927,442 S \* 8/2021 Hong ..... D14/137  
 D944,471 S \* 2/2022 Li ..... D10/104.1  
 D948,467 S \* 4/2022 Wang ..... D14/137  
 D949,493 S \* 4/2022 Luo ..... D10/104.1  
 D951,894 S \* 5/2022 Xiao ..... D14/137  
 D952,967 S \* 5/2022 Li ..... D10/104.1  
 D961,863 S \* 8/2022 Zhu ..... D10/104.1  
 D963,967 S \* 9/2022 Jia ..... D10/104.1  
 D968,728 S \* 11/2022 Ye ..... D10/104.1  
 D970,129 S \* 11/2022 Zhang ..... D10/104.1  
 2014/0261233 A1 \* 9/2014 So ..... A01K 27/009  
 119/720  
 2020/0015456 A1 \* 1/2020 Van Curen ..... A01K 15/022

\* cited by examiner

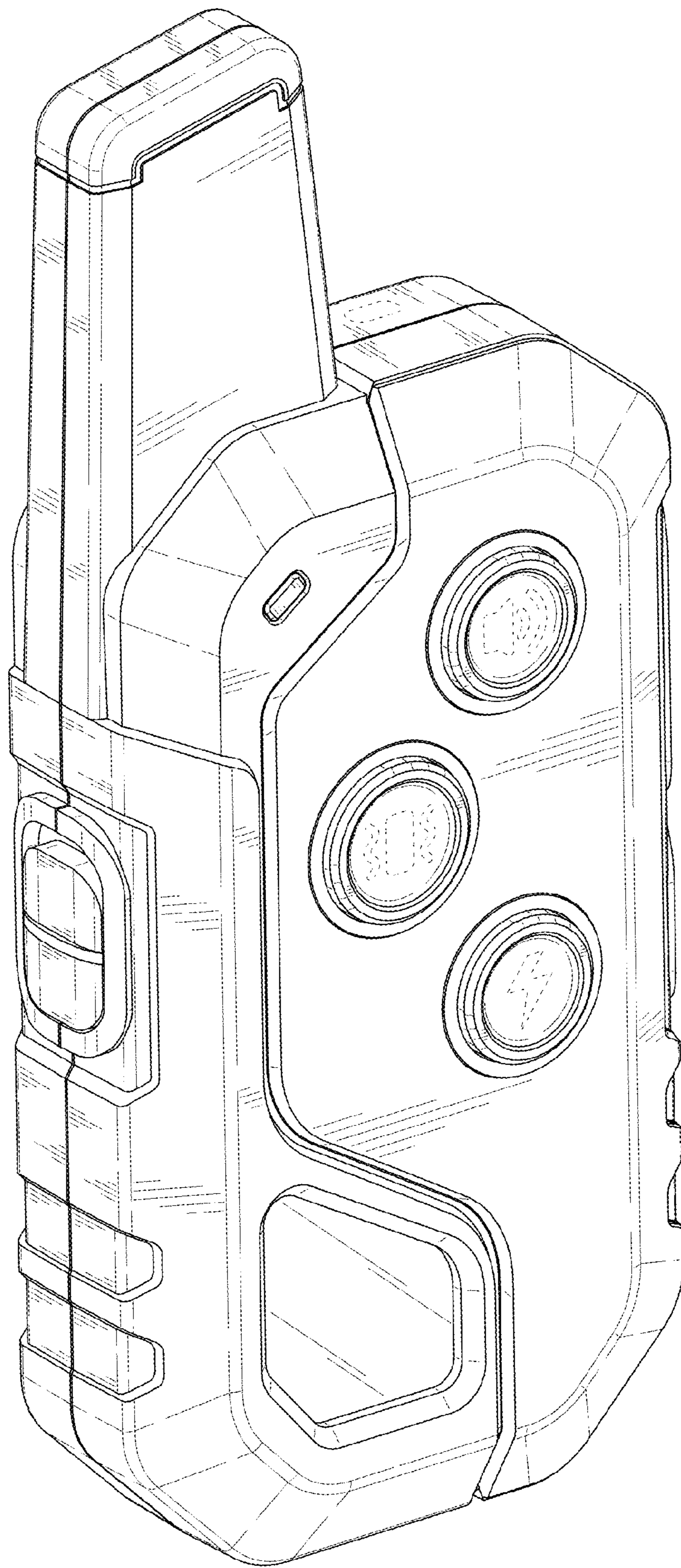


FIG. 1

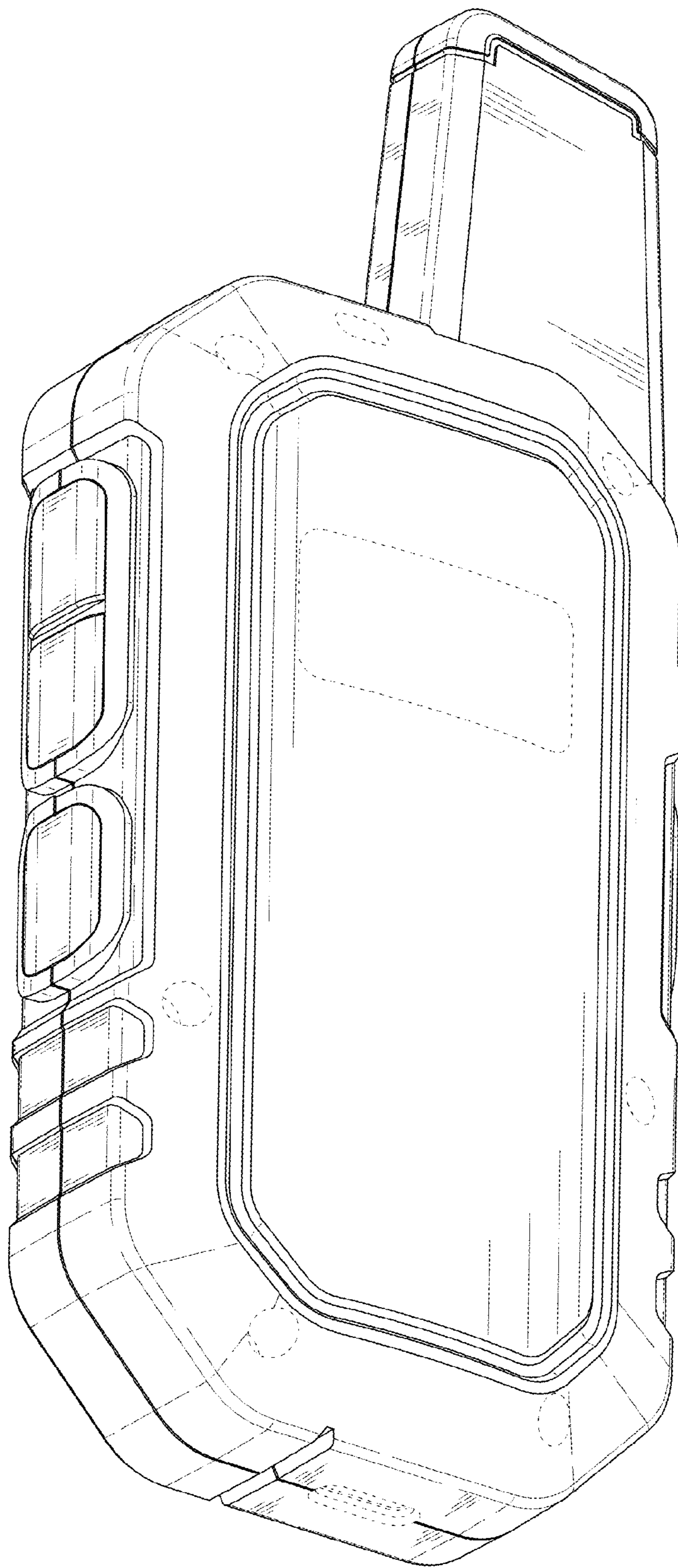


FIG. 2

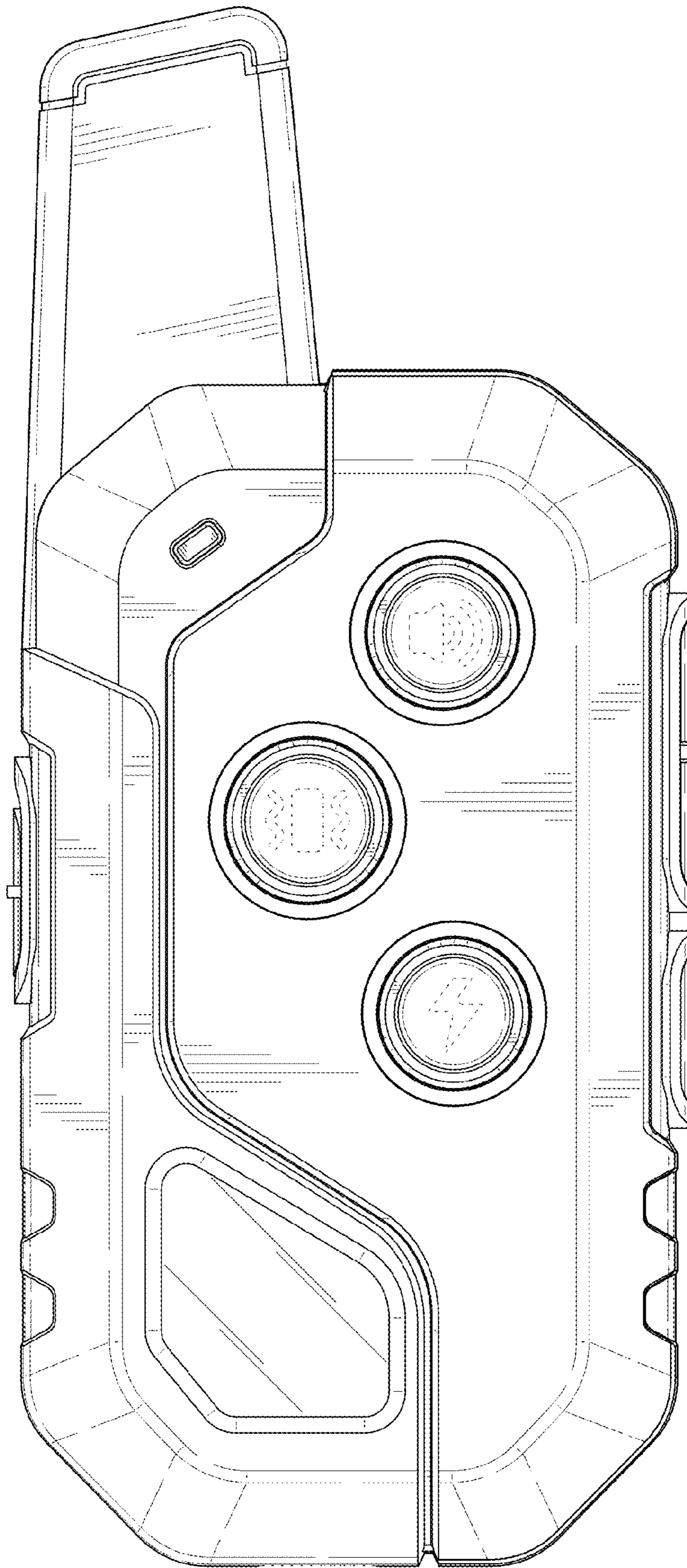


FIG. 3

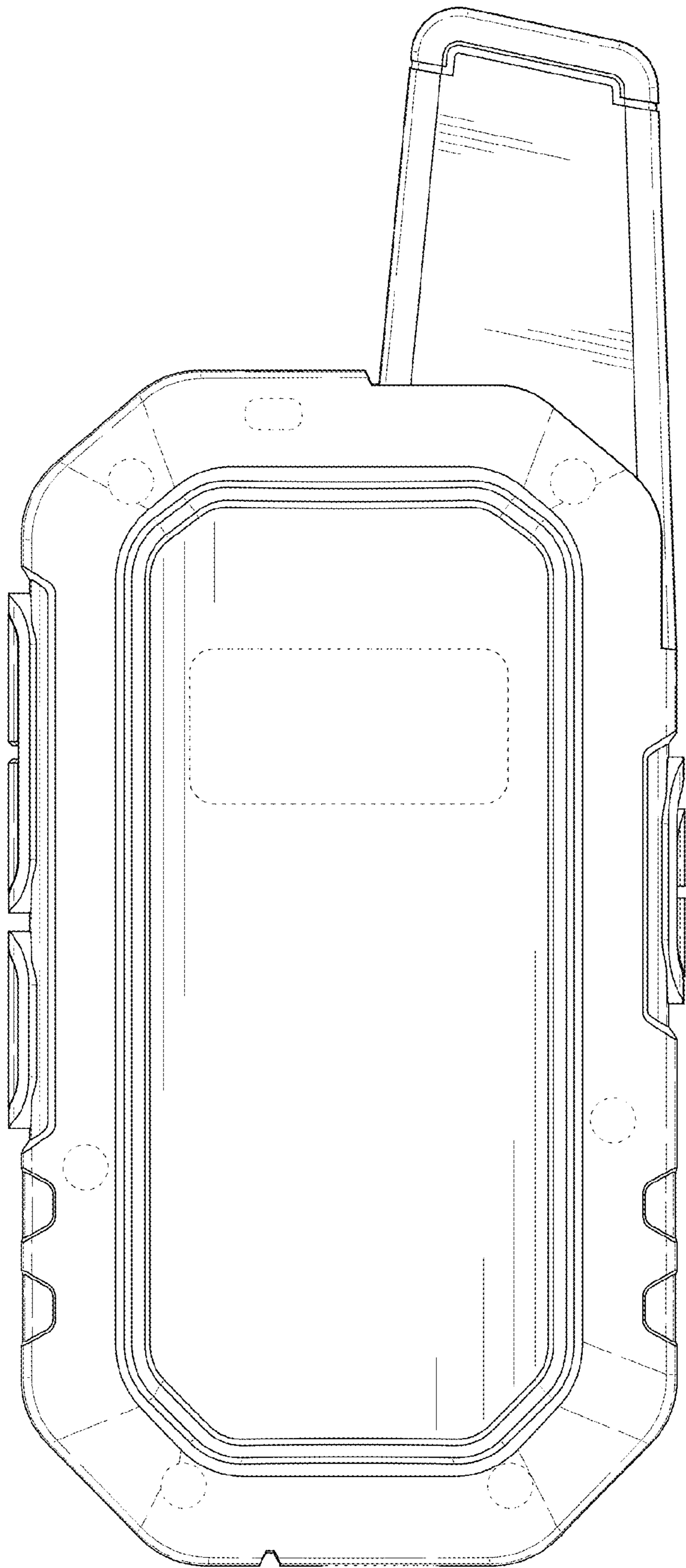


FIG. 4

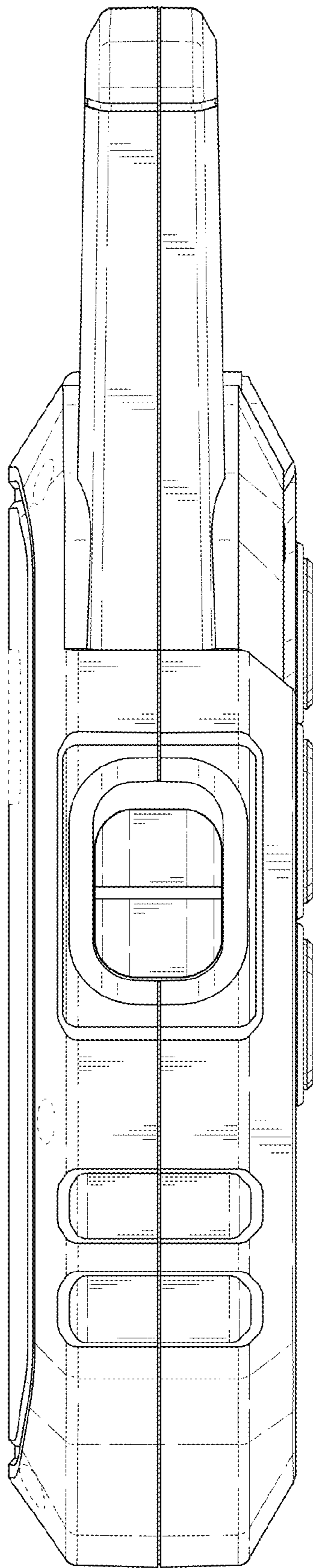


FIG. 5

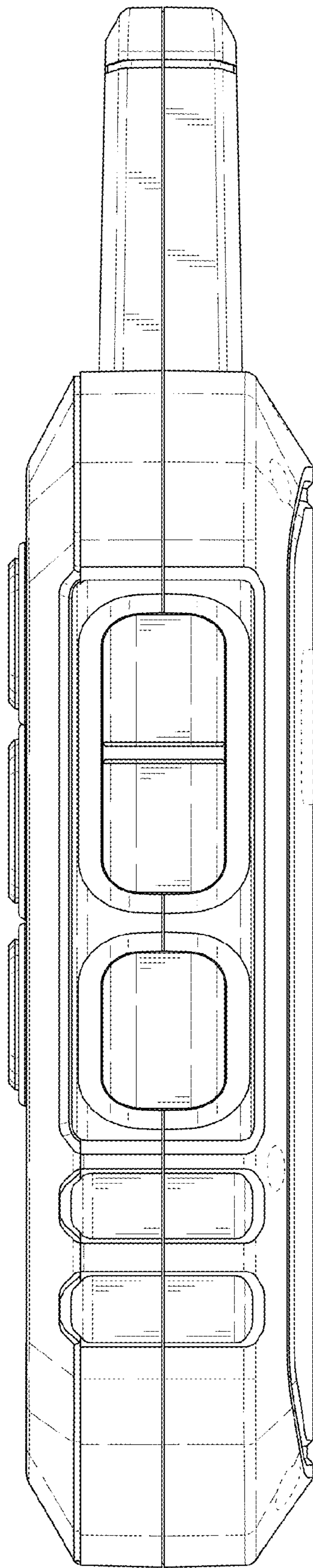


FIG. 6



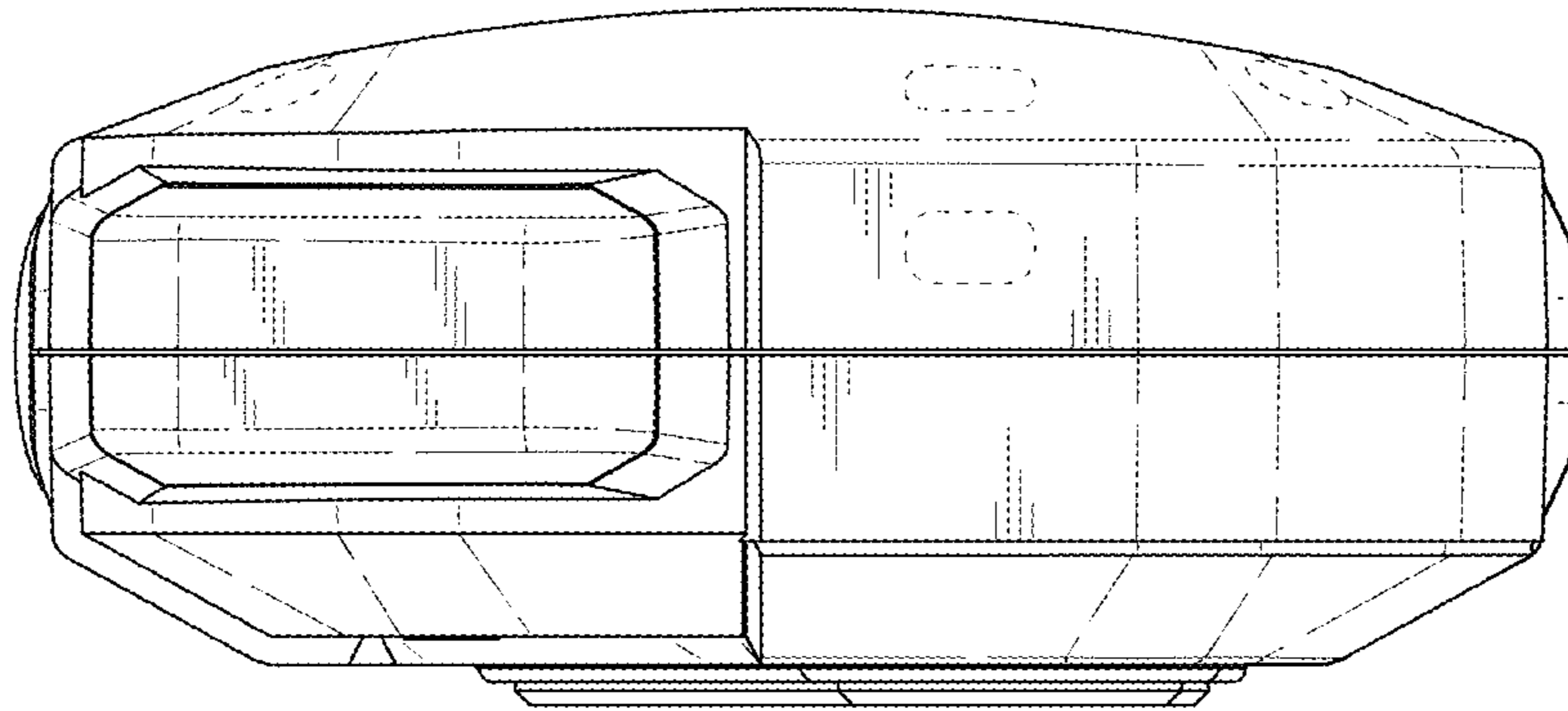


FIG. 7

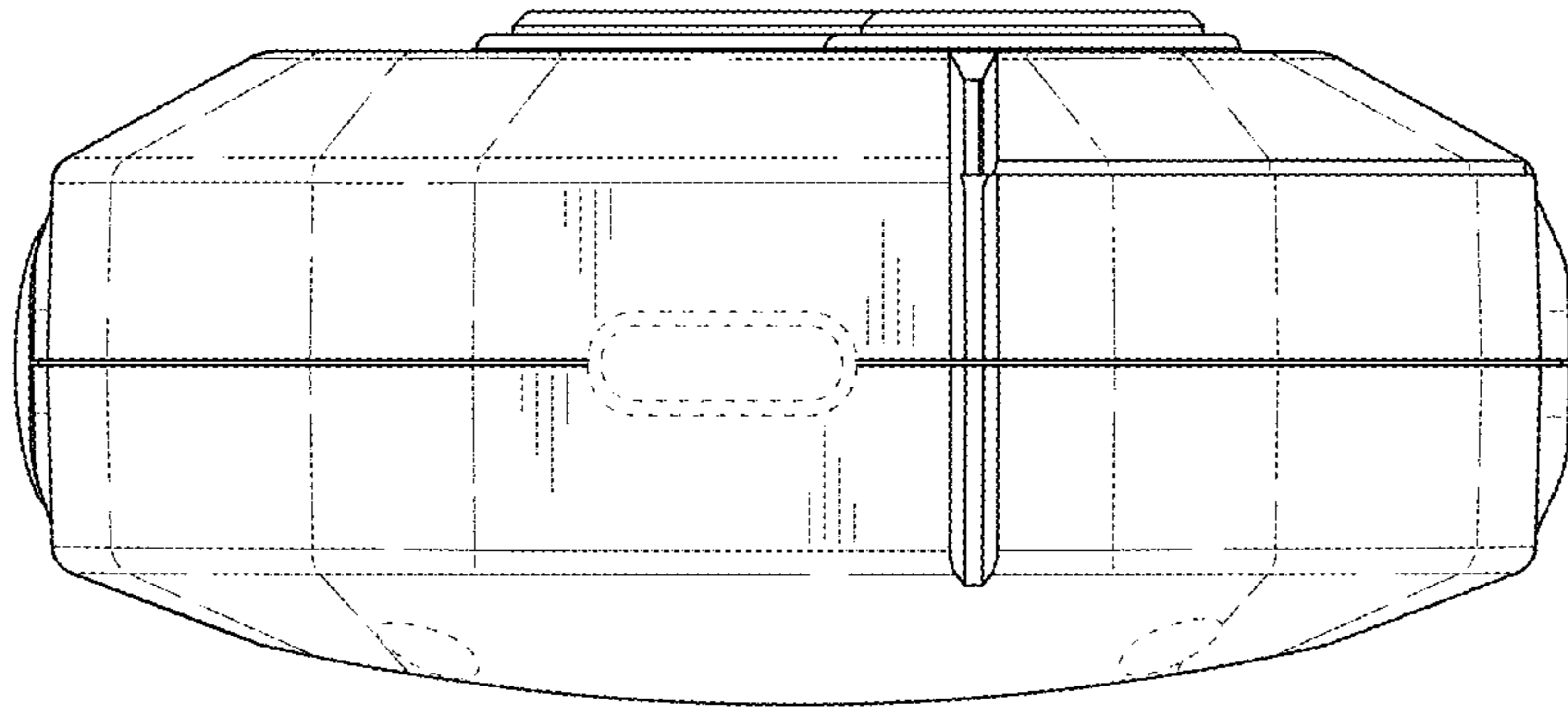


FIG. 8