



US00D984761S

(12) **United States Design Patent**
Yang et al.

(10) **Patent No.:** **US D984,761 S**
(45) **Date of Patent:** **** Apr. 25, 2023**

(54) **CAT LITTER SCOOP BASE**

FOREIGN PATENT DOCUMENTS

(71) Applicant: **KIND PET PRODUCTS CO., LTD,**
Guangdong (CN)

CN 306317308 * 2/2021
EM 008423917-0001 * 3/2021

(72) Inventors: **Tianle Yang,** Guangdong (CN); **Yibao Zeng,** Guangdong (CN)

OTHER PUBLICATIONS

(73) Assignee: **KIND PET PRODUCTS CO., LTD,**
Zhongshan (CN)

Navaris Cat Litter Scoop with Holder, posted Jun. 1, 2022 [online], [retrieved Oct. 7, 2022]. Retrieved from internet <https://www.amazon.co.uk/Navaris-Cat-Litter-Scoop-Holder/dp/B09WHRKYVF/> (Year: 2022).*

(**) Term: **15 Years**

Primary Examiner — Sheryl Lane
Assistant Examiner — Emily A Caven

(21) Appl. No.: **29/770,037**

(22) Filed: **Feb. 9, 2021**

(57) **CLAIM**

(30) **Foreign Application Priority Data**

The ornamental design for a cat litter scoop base, as shown and described.

Sep. 7, 2020 (CN) 202030525160.4

(51) **LOC (14) Cl.** **30-99**

DESCRIPTION

(52) **U.S. Cl.**
USPC **D30/162; D30/161**

(58) **Field of Classification Search**
USPC D30/108, 109, 133, 161, 162, 199;
D6/512, 513, 551, 552, 554, 556;
D7/505, 544, 545, 603, 607
CPC . E01H 1/1206; E01H 2001/128; B65D 5/061;
A01K 1/0107; A01K 1/0114
See application file for complete search history.

FIG. 1 is a top perspective view of a cat litter scoop base showing our new design;
FIG. 2 is a bottom, front and right side perspective view thereof;
FIG. 3 is a front elevational view thereof;
FIG. 4 is a rear elevational view thereof;
FIG. 5 is a left side view thereof;
FIG. 6 is a right side view thereof;
FIG. 7 is a top plan view thereof;
FIG. 8 is a bottom plan view thereof;
FIG. 9 is a cross-sectional view taken along line 9-9 of FIG. 7;
FIG. 10 is an enlarged view of portion 10 in FIG. 2; and,
FIG. 11 is a bottom, front and right side perspective view showing the cat litter scoop base in an alternate orientation. The dashed broken lines in the drawings illustrate portions of the cat litter scoop base which form no part of the claimed design, and the dashed-dot-dashed broken lines define the bounds an enlarged view and form no part thereof.

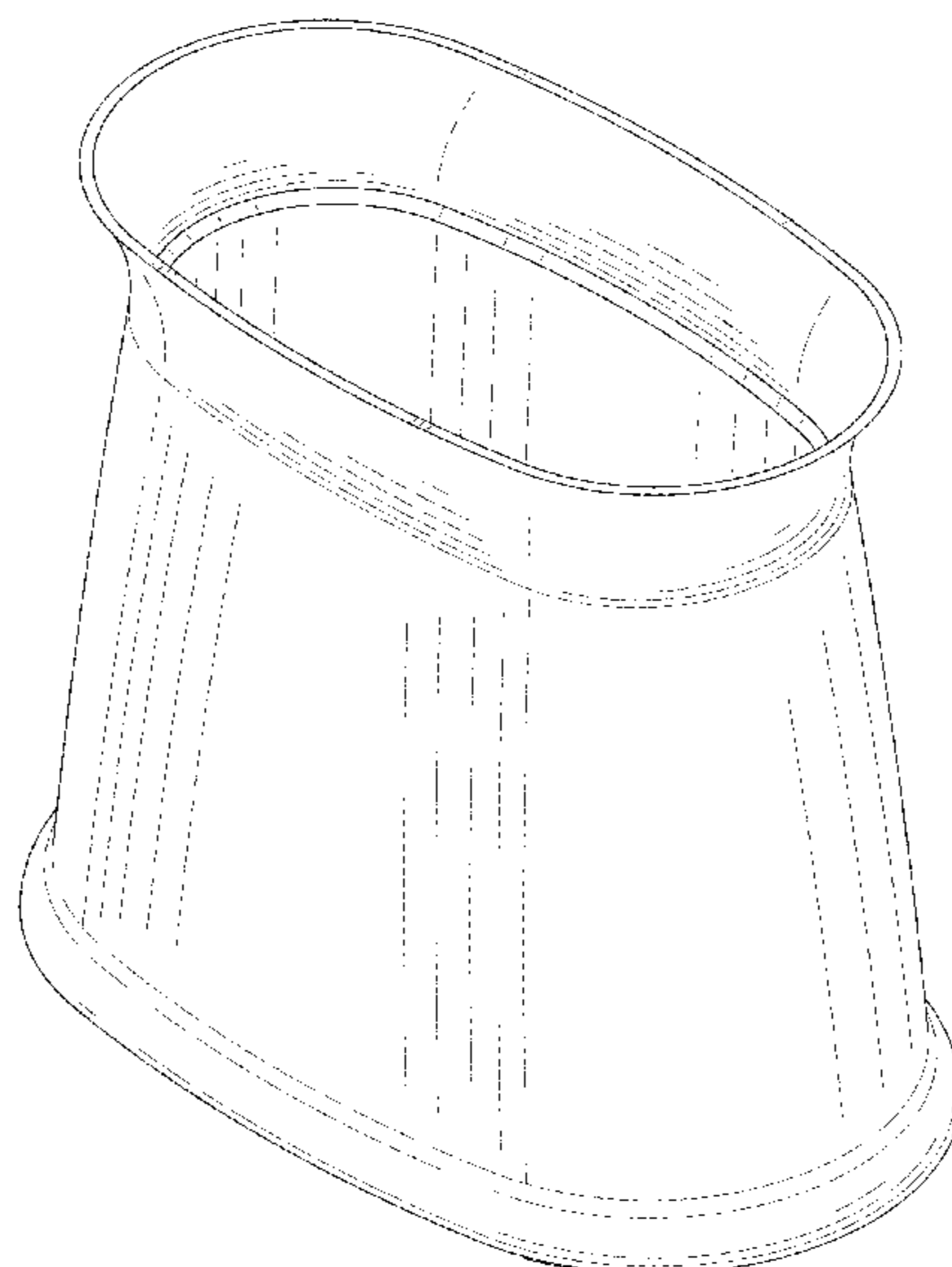
(56) **References Cited**

U.S. PATENT DOCUMENTS

D311,869 S * 11/1990 Carlson D7/603
D351,969 S * 11/1994 Daenen A01K 1/0114
D7/629
6,039,368 A * 3/2000 Kowalczyk A01K 1/0114
294/1.3
D429,853 S * 8/2000 Hammond A01K 1/0114
D30/162
D464,224 S * 10/2002 Moore D30/162

(Continued)

1 Claim, 11 Drawing Sheets



(56)

References Cited

U.S. PATENT DOCUMENTS

D467,112 S *	12/2002	Lin	B65F 1/06	D749,279 S *	2/2016	Garvey	D30/199
				D6/551	D775,465 S *	1/2017	Aller	D3/304
D467,800 S *	12/2002	Chen	D9/429	D805,816 S *	12/2017	Gale	D6/683
6,578,807 B1 *	6/2003	Lipscomb	A01K 1/0114	D830,010 S *	10/2018	Kerr	D30/161
				248/314	D846,207 S *	4/2019	Baker	A01K 1/0114
D493,994 S *	8/2004	Belt	D6/551					D30/161
D500,618 S *	1/2005	Nagoya	A01K 1/011	D936,918 S *	11/2021	Wendling	A01K 1/0114
				D6/551					D30/121
6,976,661 B2 *	12/2005	Lipscomb	A01K 1/0114	2006/0196438 A1 *	9/2006	Caputa	A01K 1/0114
				248/314					119/165
D602,740 S *	10/2009	Urquiola	D7/602	2013/0277509 A1 *	10/2013	Cheek	A01K 1/0114
D623,817 S *	9/2010	Yang	D34/7					294/1.4
D665,207 S *	8/2012	Pendleton	D6/519	2014/0076756 A1 *	3/2014	Sweetman	A01K 1/011
D702,457 S *	4/2014	Williams	D6/524					206/349
D704,949 S *	5/2014	Rodriguez	A01K 1/0114	2014/0183886 A1 *	7/2014	Hollett	A01K 1/0114
				D6/513					294/1.3
					2014/0283753 A1 *	9/2014	Dawn	A01K 1/0114
									119/166
					2019/0152694 A1 *	5/2019	McConnell	B65F 1/06

* cited by examiner

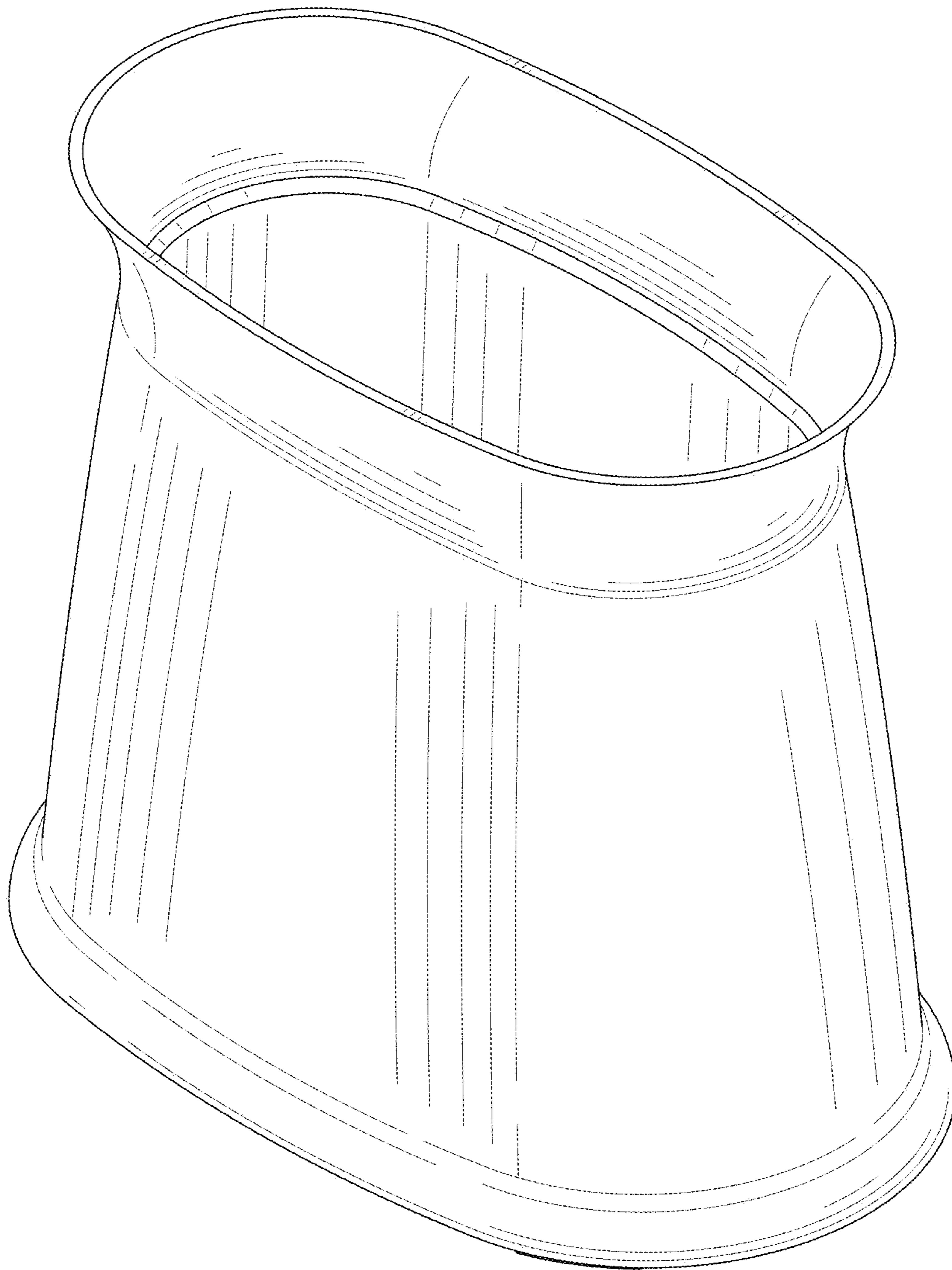


FIG. 1

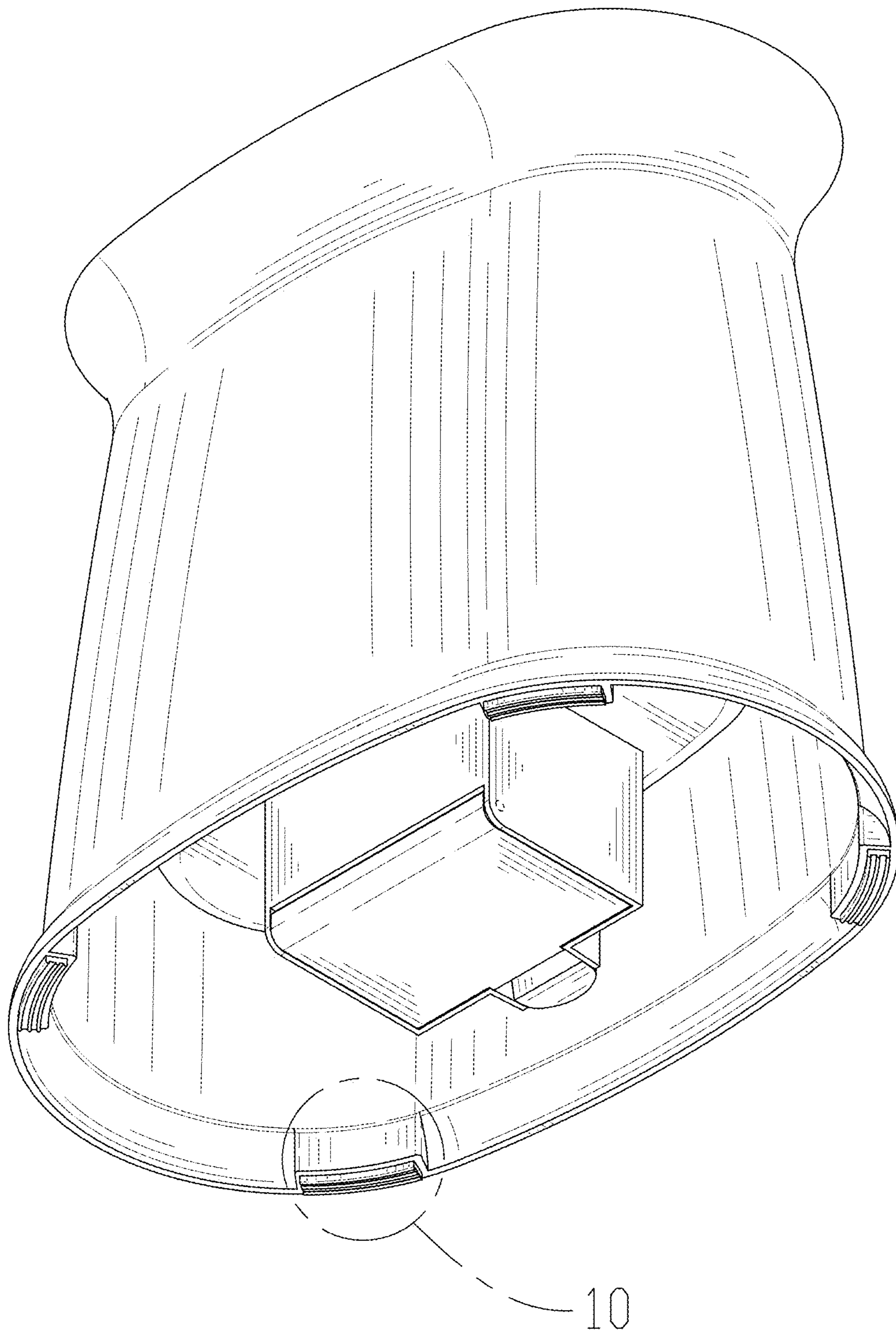


FIG. 2

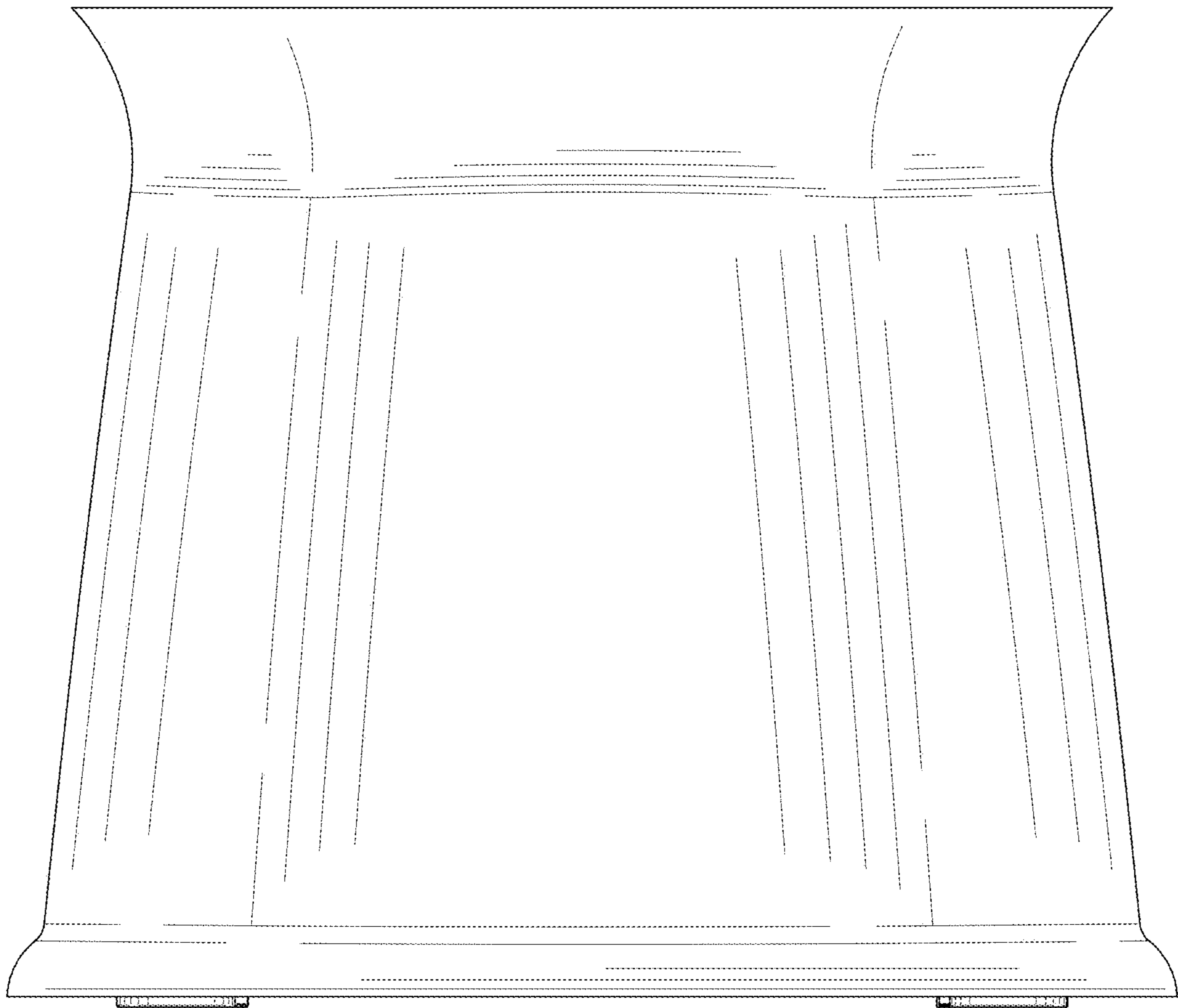


FIG. 3

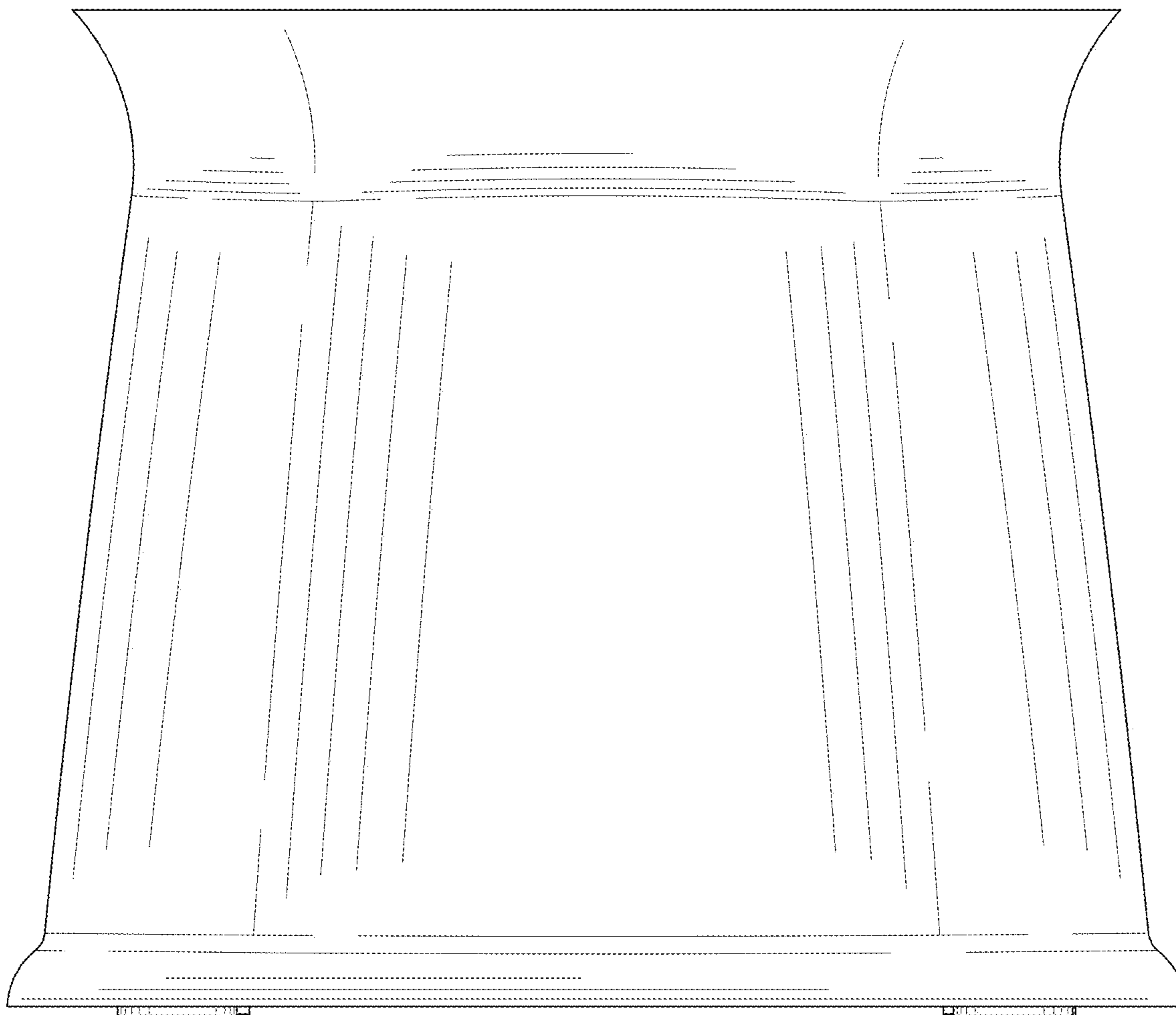


FIG. 4

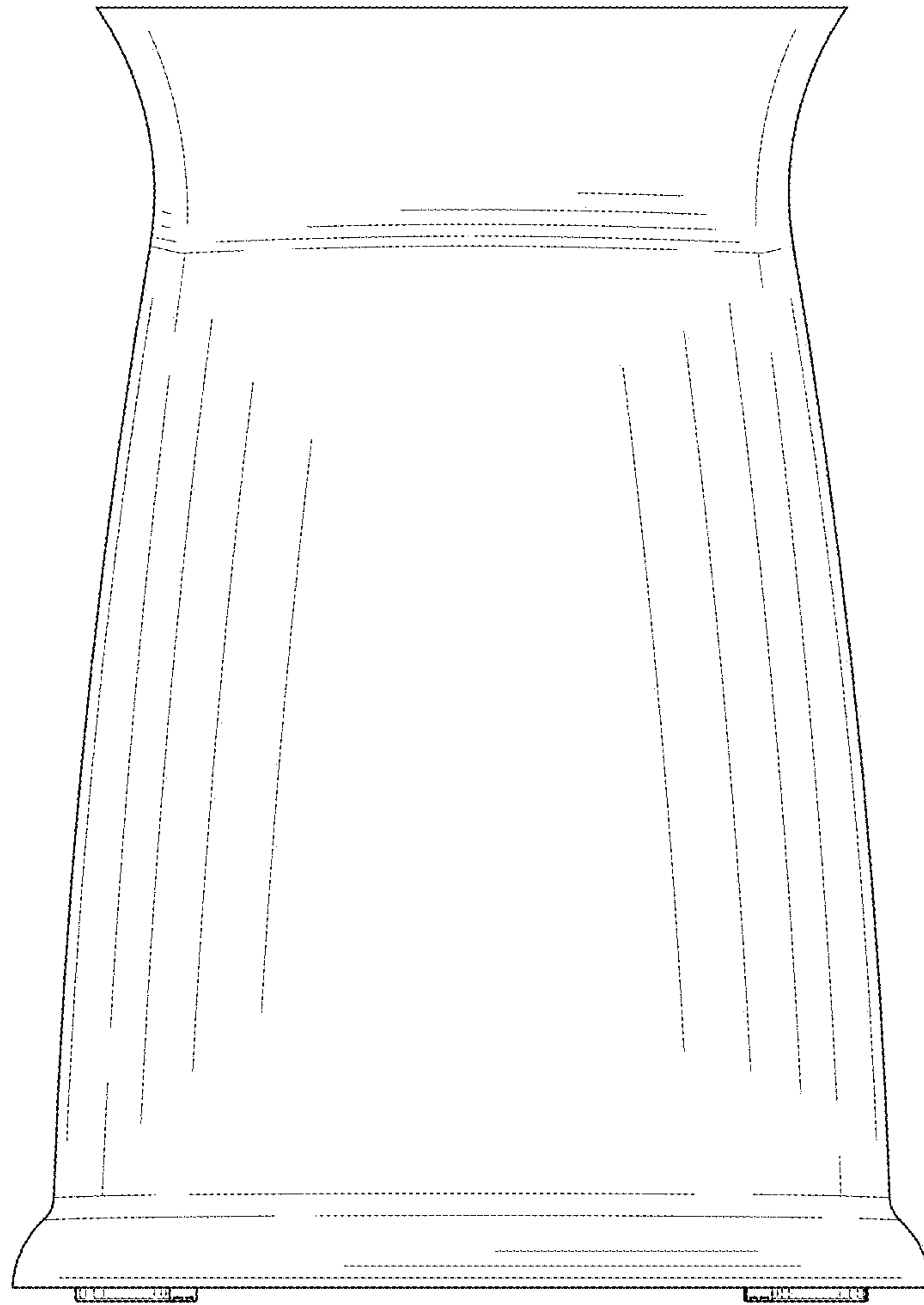


FIG. 5

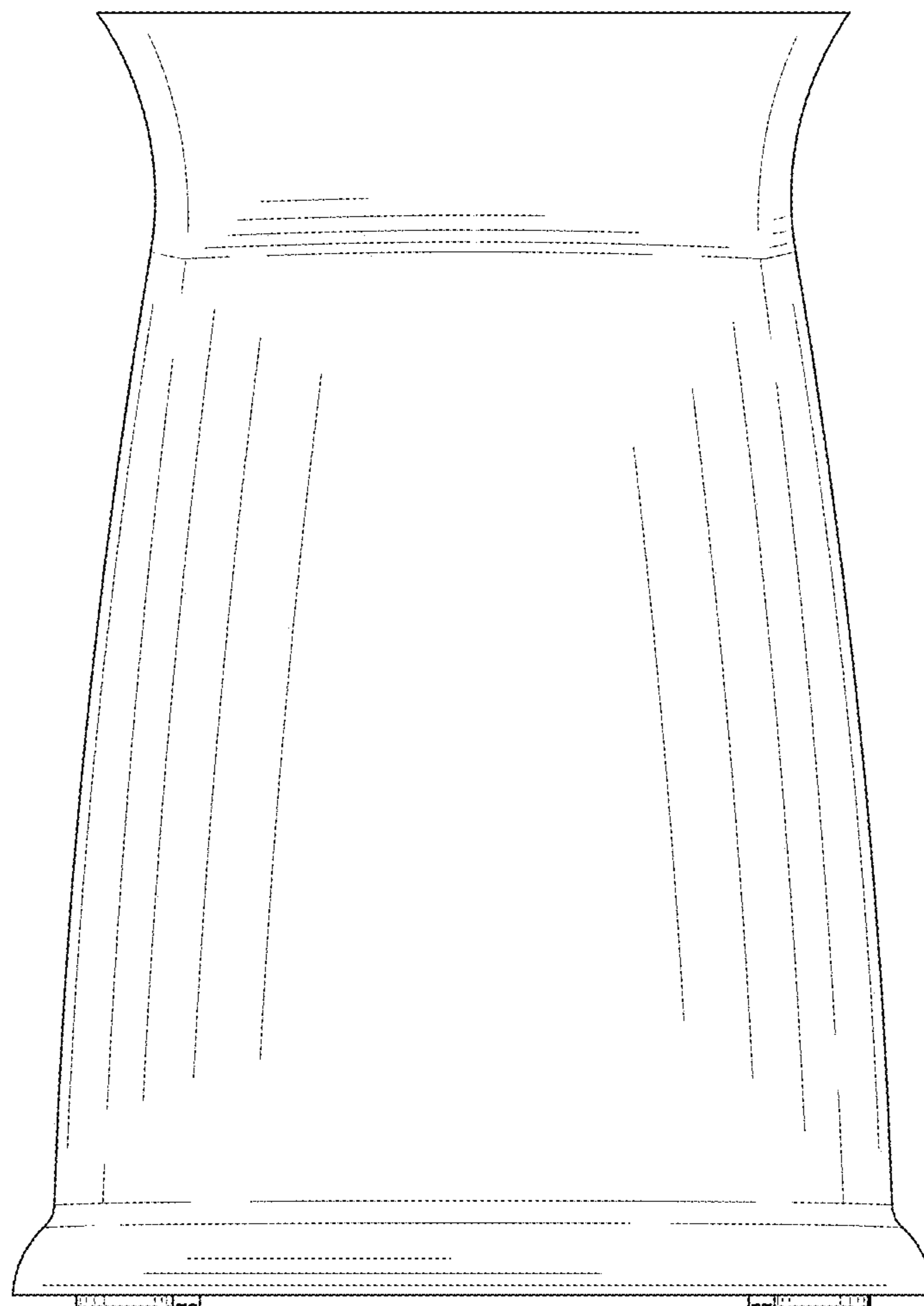


FIG. 6

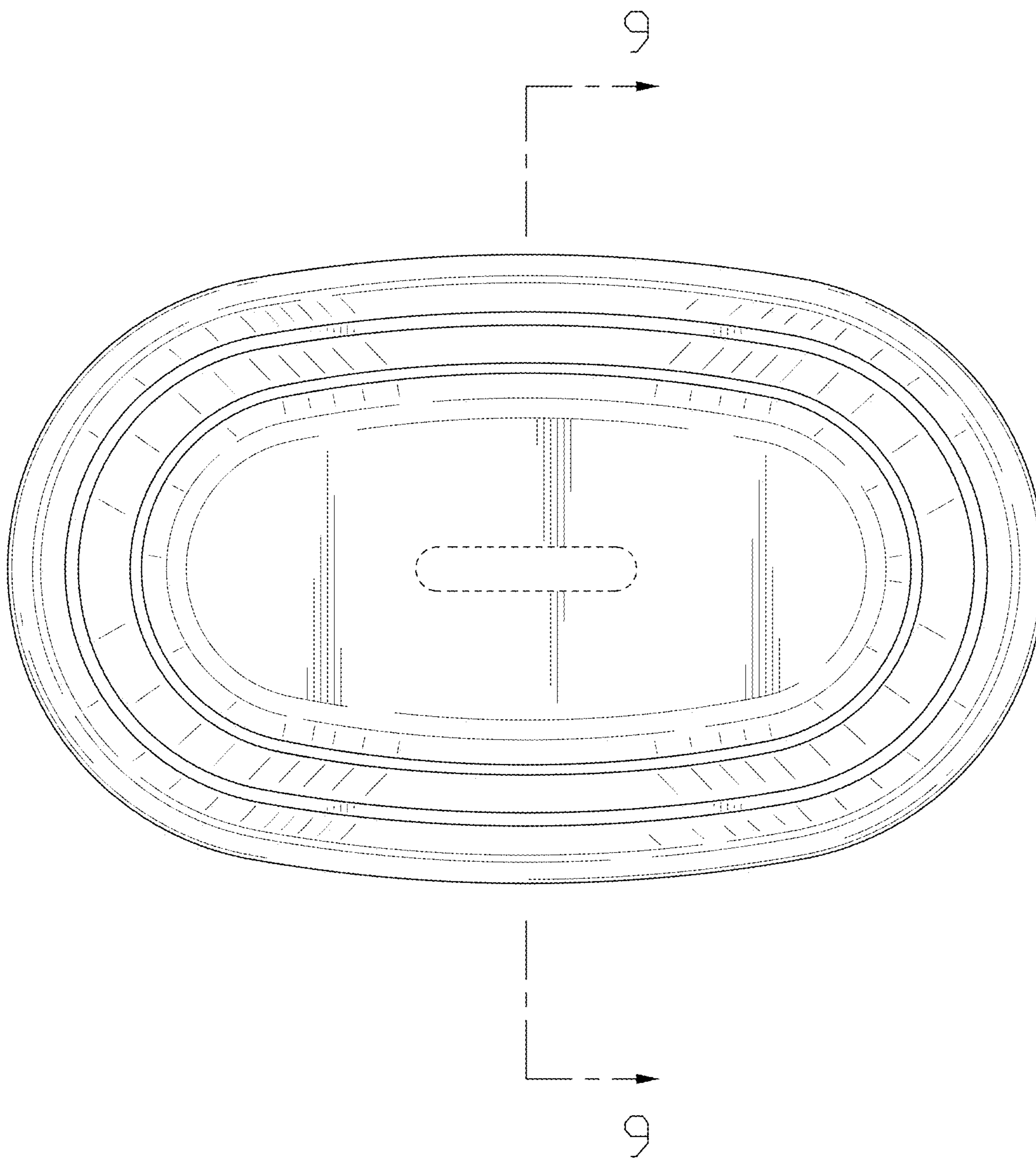


FIG. 7

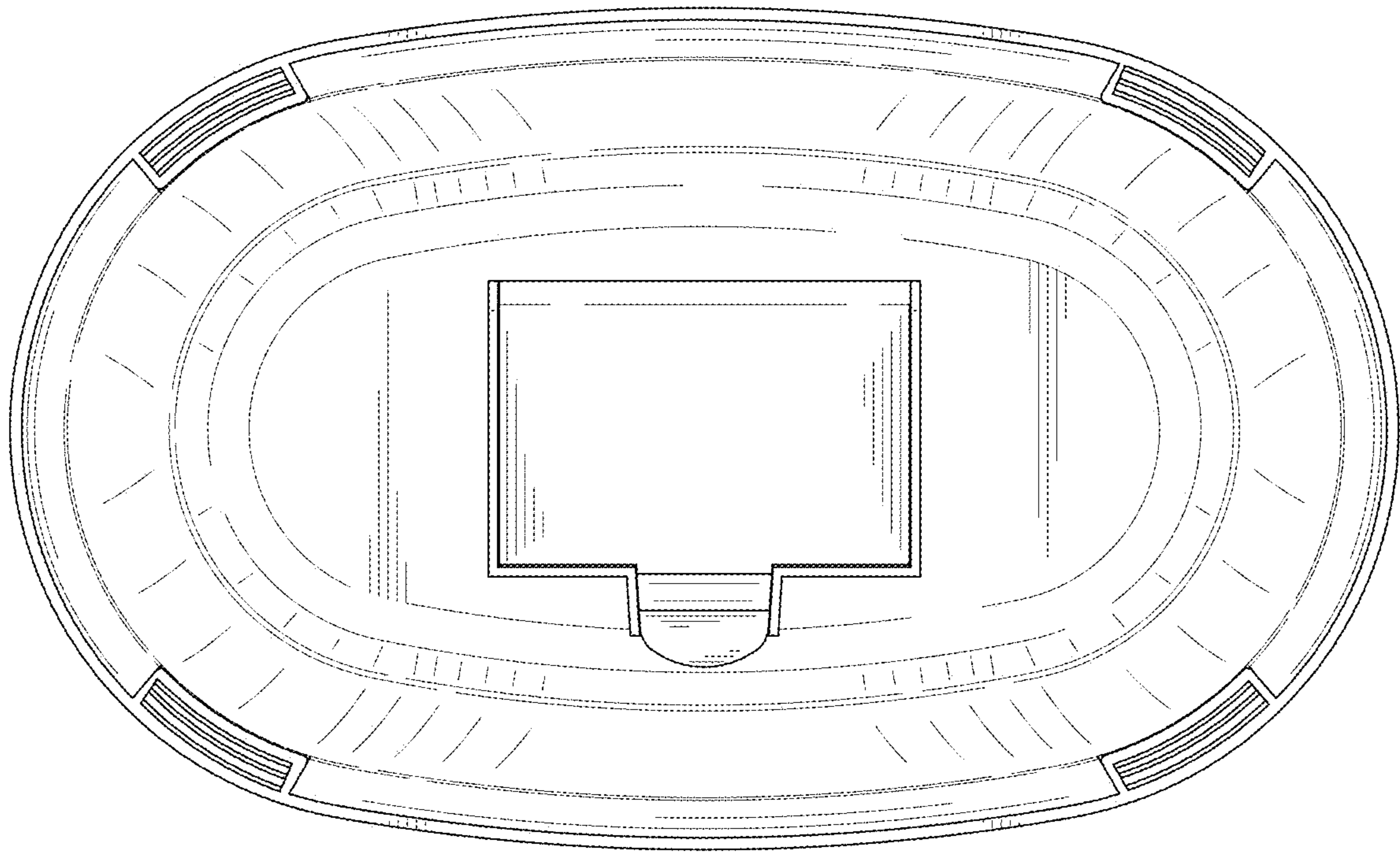


FIG. 8

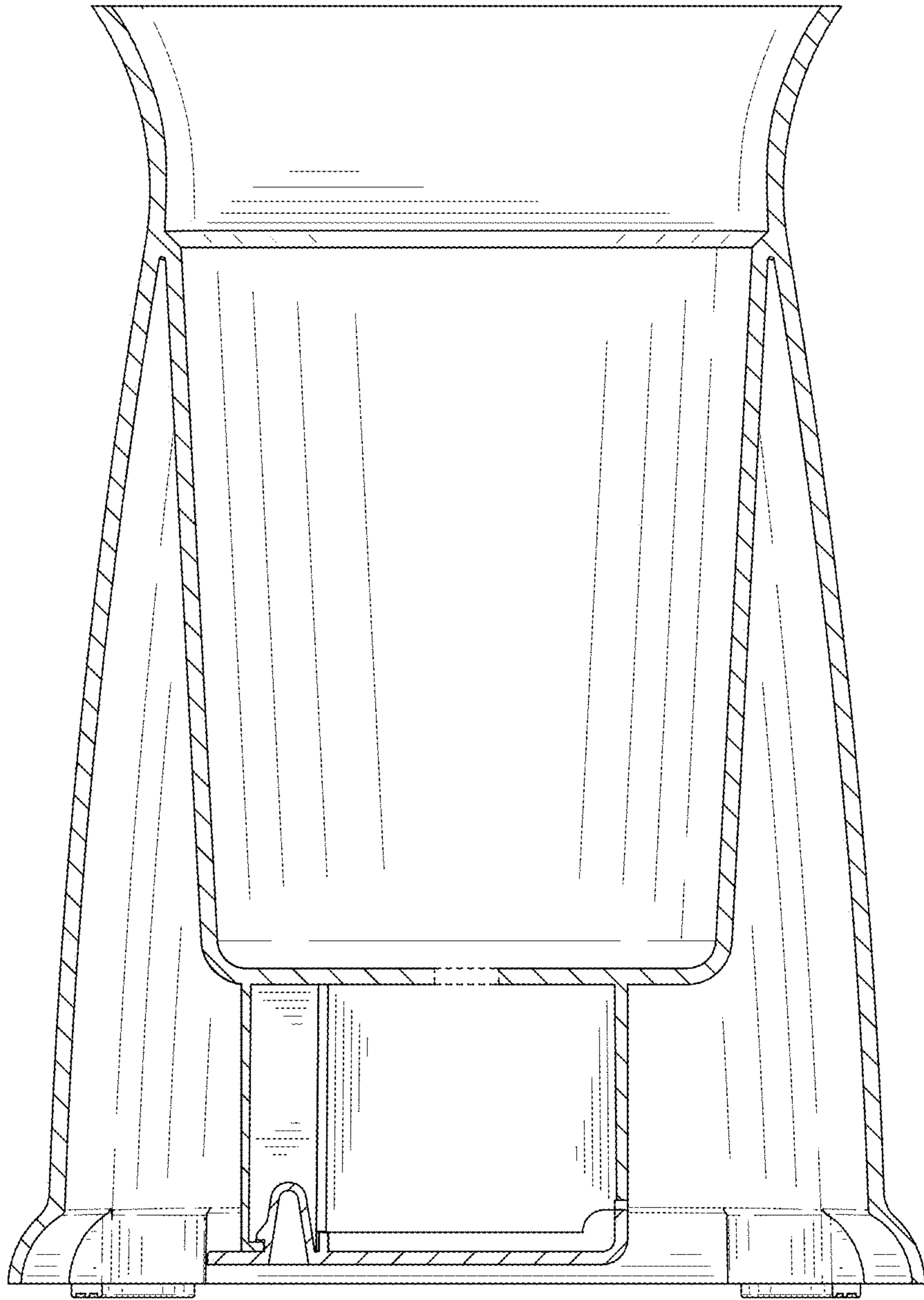


FIG. 9

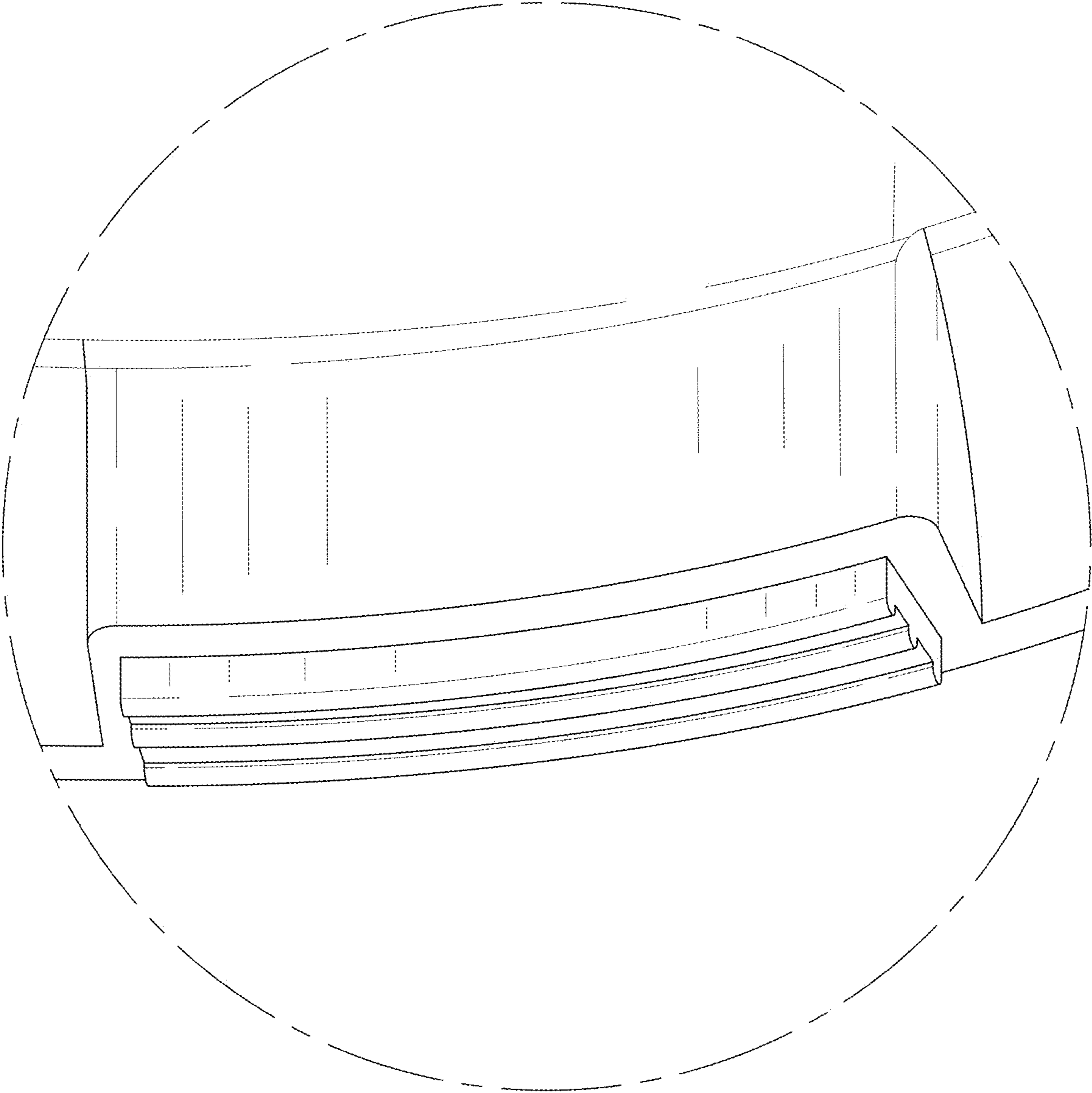


FIG. 10

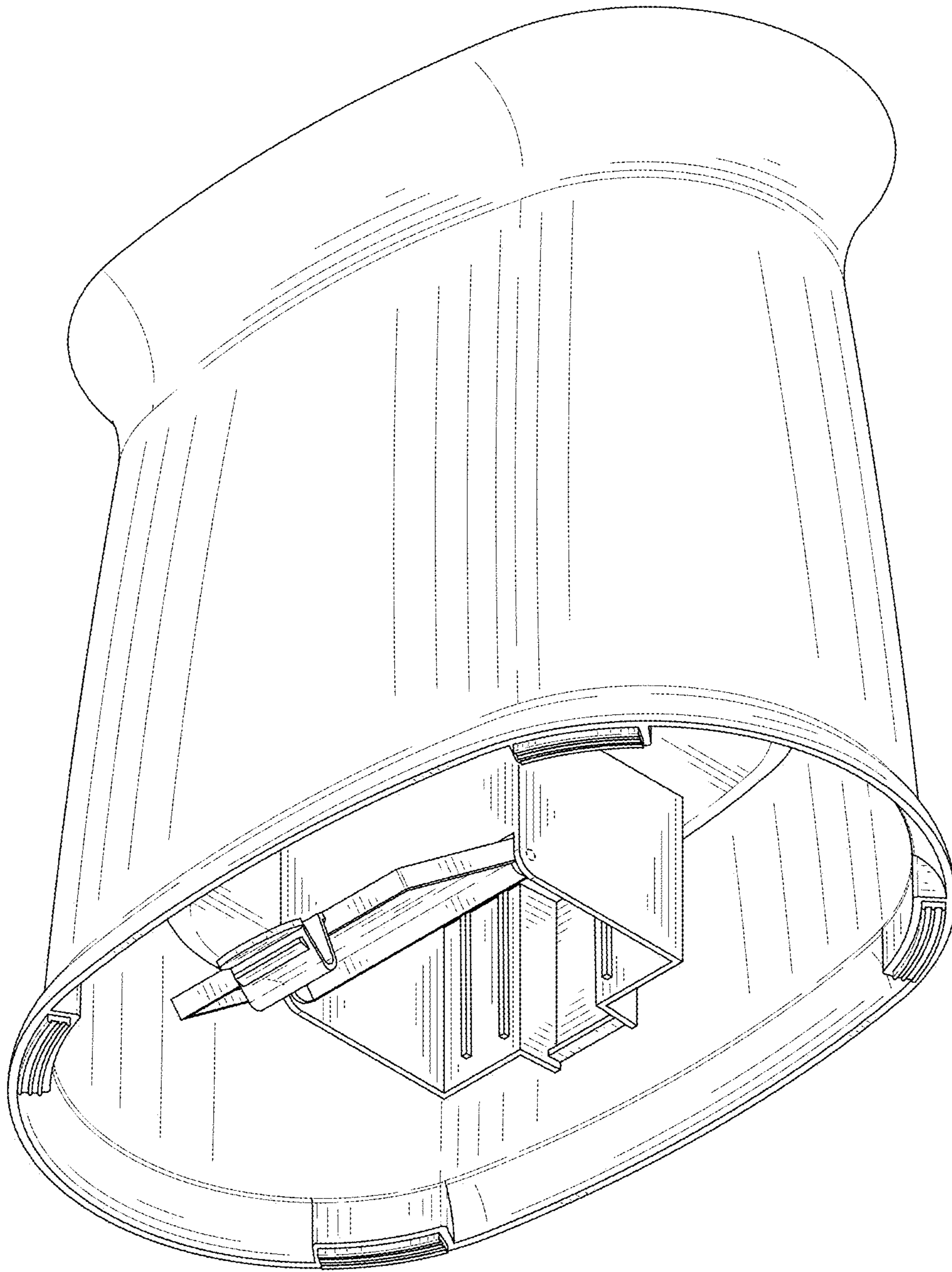


FIG. 11