



US00D984755S

(12) **United States Design Patent**
Fortino

(10) **Patent No.:** **US D984,755 S**
(45) **Date of Patent:** **** Apr. 25, 2023**

- (54) **ANIMAL TOY**
- (71) Applicant: **Joe Fortino**, Laguna Niguel, CA (US)
- (72) Inventor: **Joe Fortino**, Laguna Niguel, CA (US)
- (**) Term: **15 Years**
- (21) Appl. No.: **29/757,966**
- (22) Filed: **Nov. 11, 2020**

Related U.S. Application Data

- (63) Continuation of application No. 29/745,829, filed on Aug. 10, 2020.
- (51) **LOC (14) Cl.** **30-99**
- (52) **U.S. Cl.**
USPC **D30/160**
- (58) **Field of Classification Search**
USPC D30/160, 112, 119; D21/386, 398, 484,
D21/707, 712, 713, 719; D24/193, 194,
D24/195, 211, 212, 214; D1/125, 126,
D1/127
CPC A01K 15/025; A01K 15/026; A63B
69/0079; A63B 69/0002; A63B 69/0086;
A63B 69/0088; A63F 2007/4087; A63F
9/02
See application file for complete search history.

(56) **References Cited**

U.S. PATENT DOCUMENTS

- 729,473 A * 5/1903 Wilson A63H 33/00
473/576
- 1,531,162 A * 3/1925 Valero A63B 37/12
473/600
- 1,563,912 A * 12/1925 Miller A63B 43/007
473/575
- 3,348,333 A * 10/1967 Cascioli A63B 19/00
473/576
- 3,454,275 A * 7/1969 Pontone A01K 15/025
248/224.7

- 3,782,727 A * 1/1974 Chirnomas A63B 67/10
473/576
- 3,843,126 A * 10/1974 Bandy A63B 67/10
473/576
- 4,127,268 A * 11/1978 Lindgren A63B 43/007
473/576
- 4,867,451 A * 9/1989 Mitchell A63B 43/02
473/576
- 5,045,014 A * 9/1991 Harkins A01K 15/025
446/236

(Continued)

Primary Examiner — Sheryl Lane
Assistant Examiner — Aula Soroush

(57) **CLAIM**

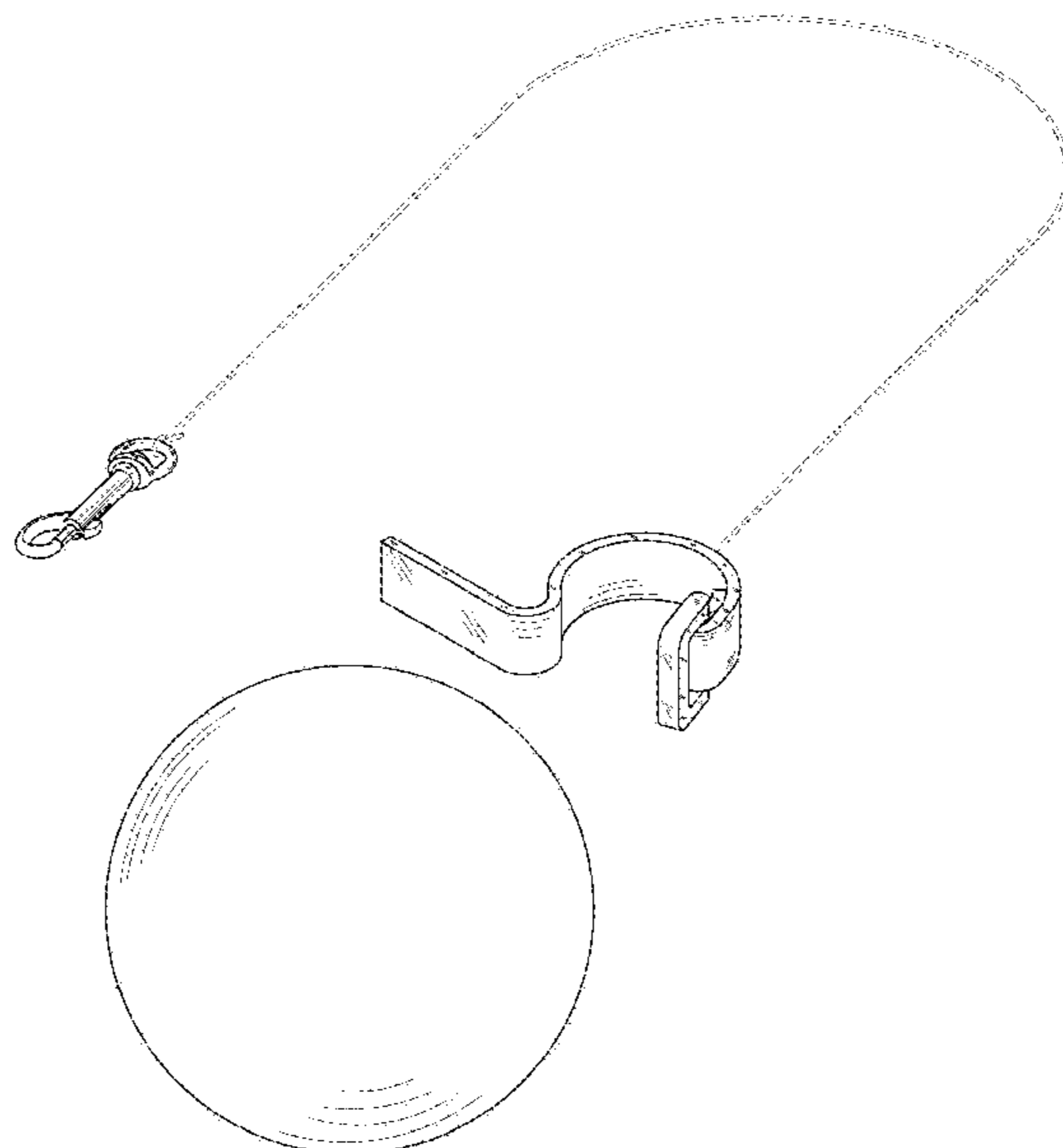
I claim the ornamental design for an animal toy, substantially as shown and described.

DESCRIPTION

FIG. 1 is a top, perspective view of the animal toy showing my new design;
 FIG. 2 is a front elevation view thereof;
 FIG. 3 is a right side elevation view thereof;
 FIG. 4 is a left side elevation view thereof;
 FIG. 5 is a rear elevation view thereof;
 FIG. 6 is a top view thereof;
 FIG. 7 is a bottom view thereof;
 FIG. 8 is an enlarged perspective view of the clasp of the animal toy thereof;
 FIG. 9 is an enlarged perspective view of the strap of the animal toy thereof; and,
 FIG. 10 is another enlarged perspective view of the strap of the animal toy thereof.

A description of the appearance of the article is as follows:
 An animal toy. The broken lines in the drawings illustrate portions of the animal toy that form no part of the claimed design. Additionally, the diagonal lines shown in FIGS. 4, 6 and 10 represent contrasting material to the adjacent surface.

1 Claim, 9 Drawing Sheets



(56)

References Cited

U.S. PATENT DOCUMENTS

5,054,786 A * 10/1991 Solomon A63B 69/0079
473/147
D340,267 S * 10/1993 Robles D21/466
5,443,576 A * 8/1995 Hauter A63B 69/0086
473/424
5,566,949 A * 10/1996 Gorden A63B 69/0086
473/576
5,588,648 A * 12/1996 Stebbins A63B 37/02
473/451
5,611,540 A * 3/1997 Williams A63B 69/0079
473/573
5,961,406 A * 10/1999 Hass A01K 15/025
119/707
5,976,041 A * 11/1999 Banker, Sr. A63B 43/007
473/424
6,030,303 A * 2/2000 Wallace, Jr. A63B 43/007
473/600
6,368,241 B1 * 4/2002 Abel A63B 69/0086
473/576
6,971,963 B2 * 12/2005 Abel A63B 69/0086
473/576
D516,145 S * 2/2006 Oblack D21/713

7,364,518 B2 * 4/2008 Abel A63B 43/007
473/576
D577,396 S * 9/2008 Burger D21/713
7,976,414 B2 * 7/2011 McKay A63B 69/0002
473/458
D656,281 S * 3/2012 Morton D30/160
8,257,203 B2 * 9/2012 Rasmussen A63B 69/0095
473/423
D672,099 S * 12/2012 Simms D21/440
D672,514 S * 12/2012 Dyer D30/160
8,876,636 B2 * 11/2014 Rubel A63B 67/22
473/425
8,926,331 B1 * 1/2015 Schlapik A63B 43/007
434/219
D794,132 S * 8/2017 Capozzi D21/398
D817,562 S * 5/2018 Markham D30/160
D840,116 S * 2/2019 Steinkraus D30/160
D848,683 S * 5/2019 Pinto D30/160
D848,684 S * 5/2019 Renforth D30/160
D914,122 S * 3/2021 Pan D21/466
2006/0266299 A1 * 11/2006 DiAntonio A01K 15/025
119/708
2014/0329622 A1 * 11/2014 Marshall A63B 69/002
473/424
2022/0142123 A1 * 5/2022 Fortino A01K 15/025

* cited by examiner



FIG. 1

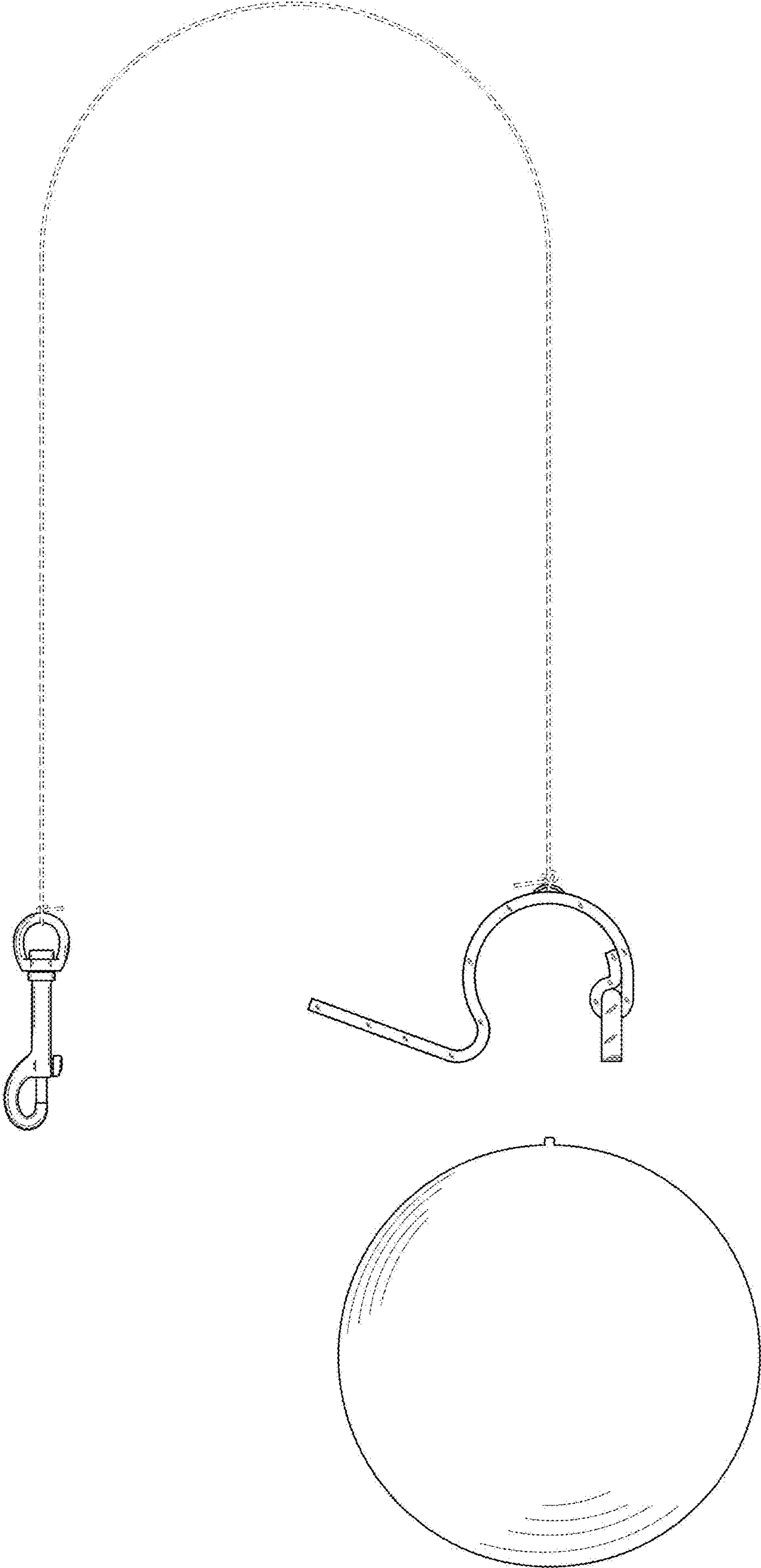


FIG. 2

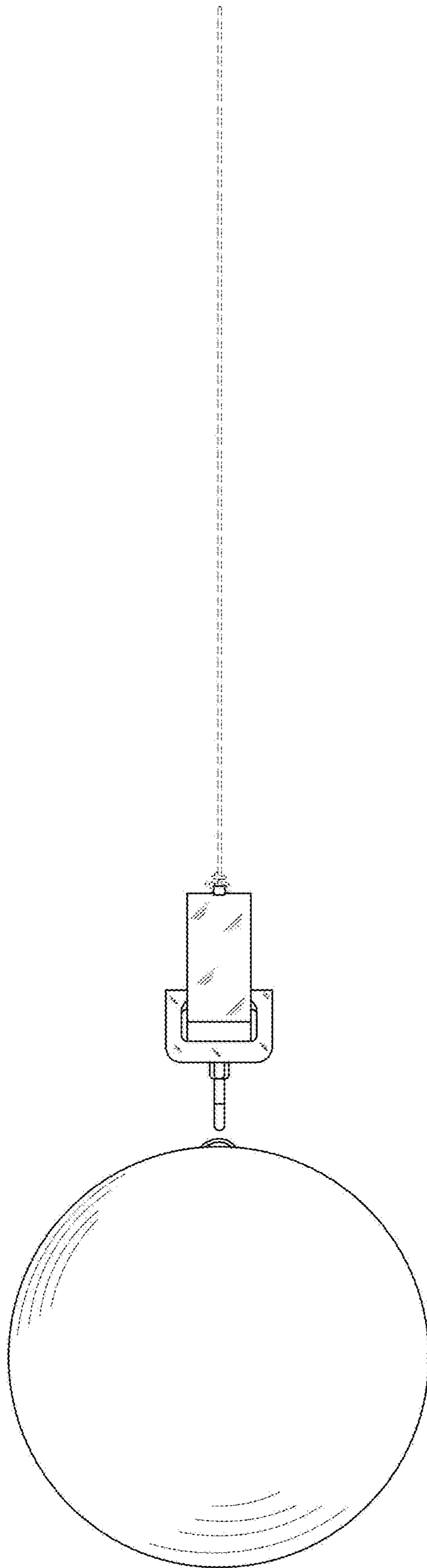


FIG. 3

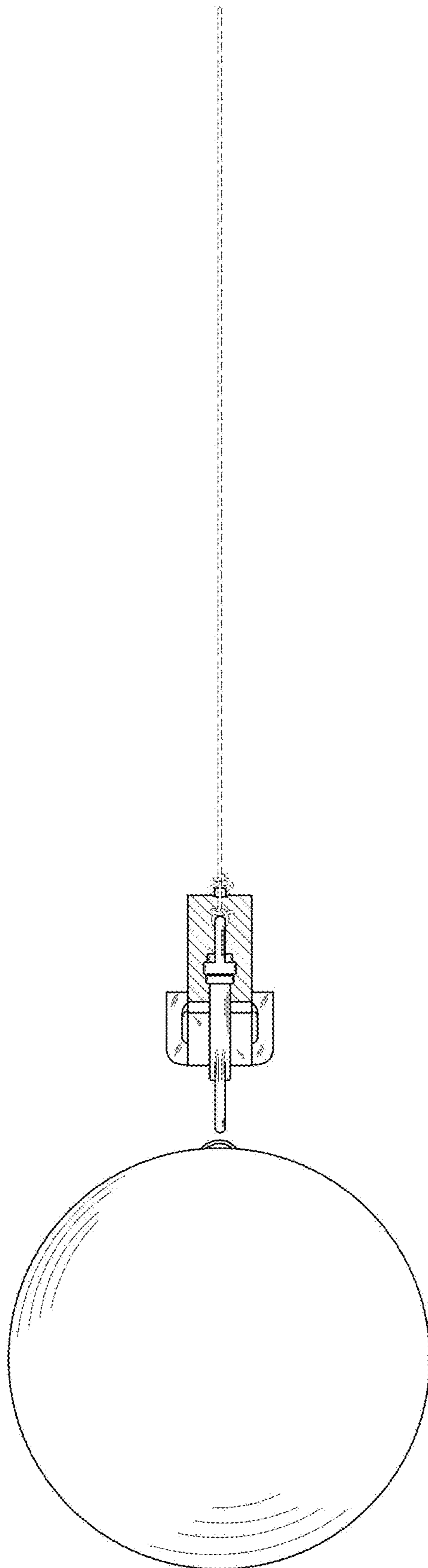


FIG. 4

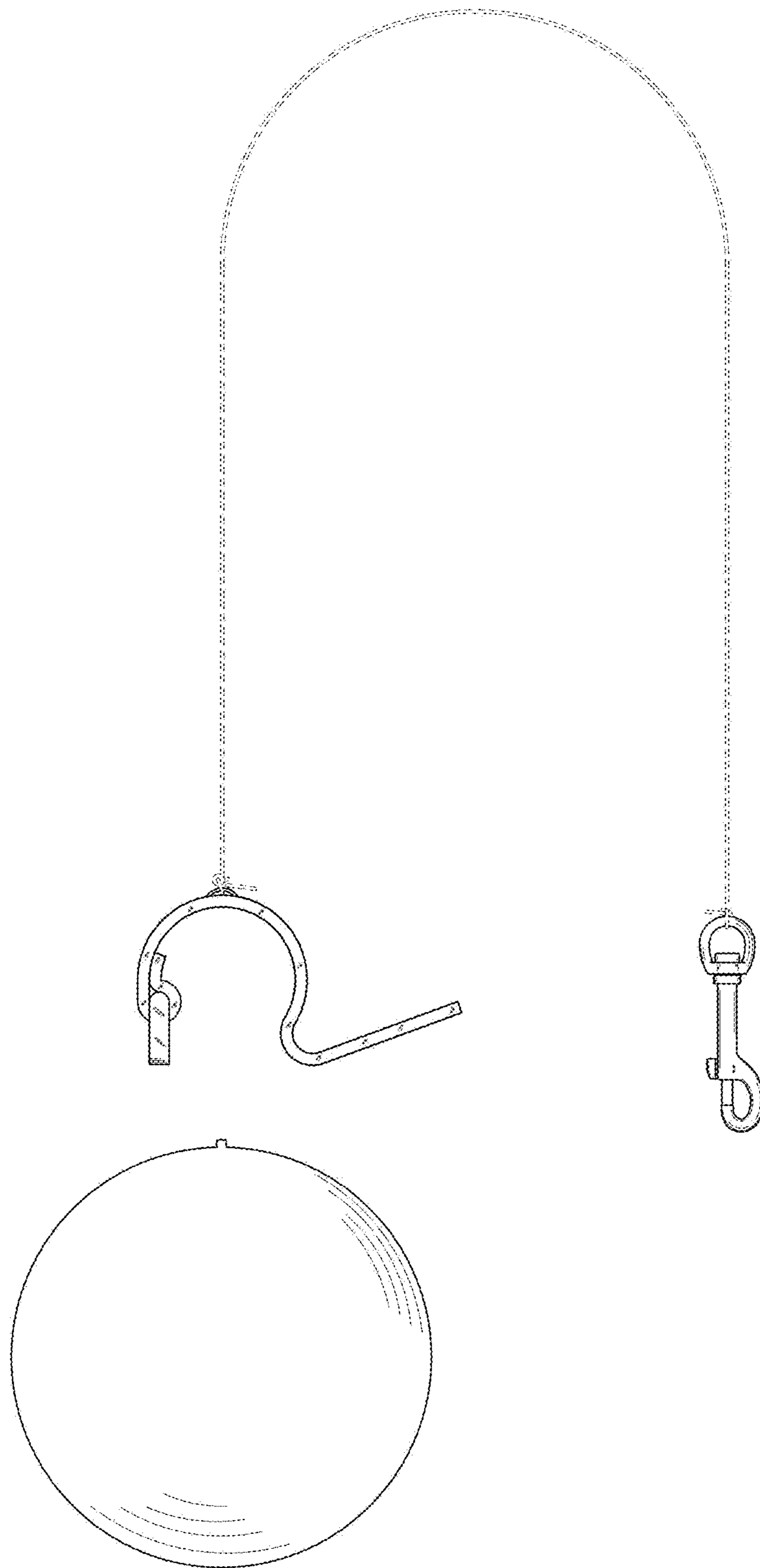


FIG. 5

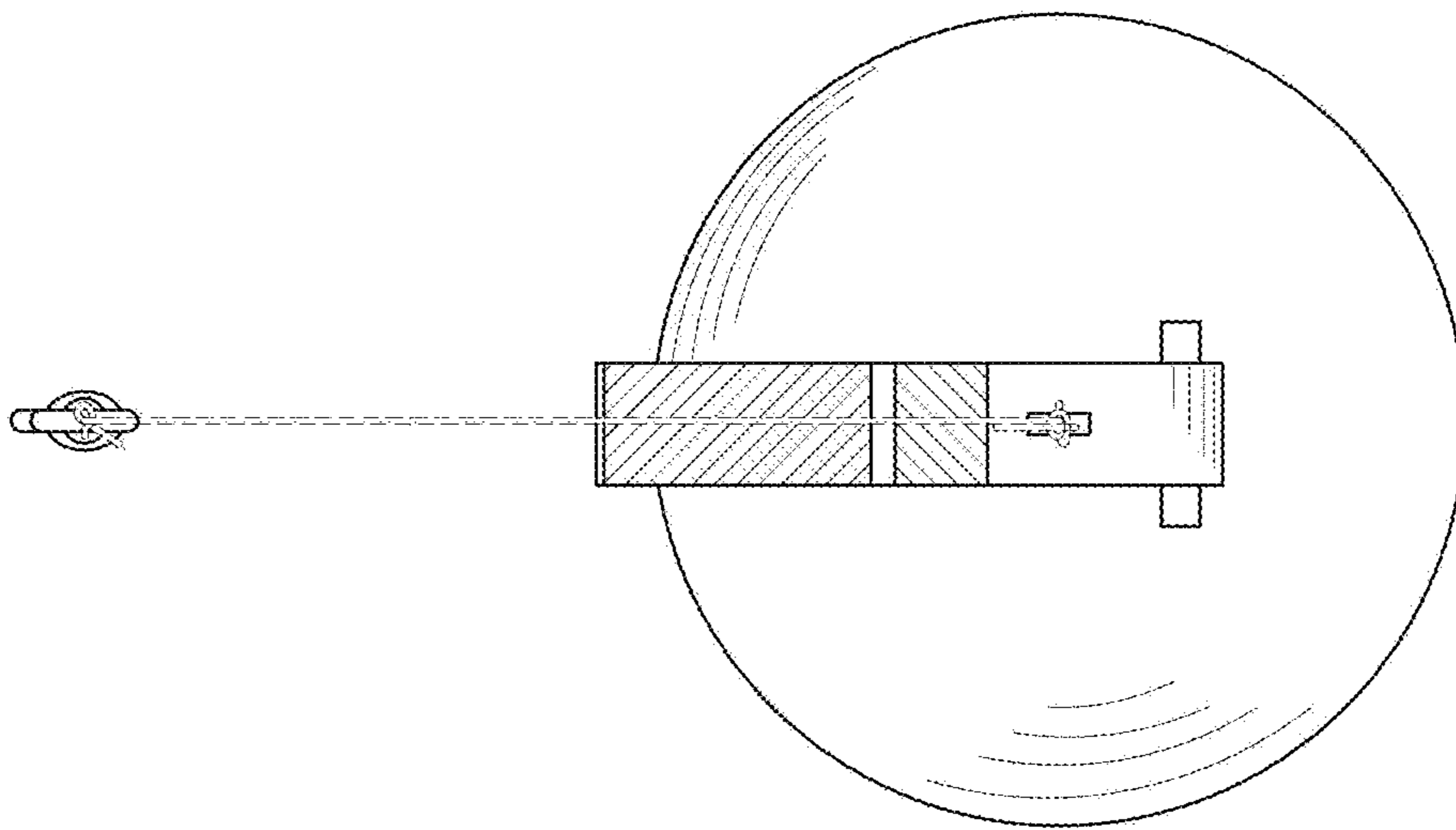


FIG. 6

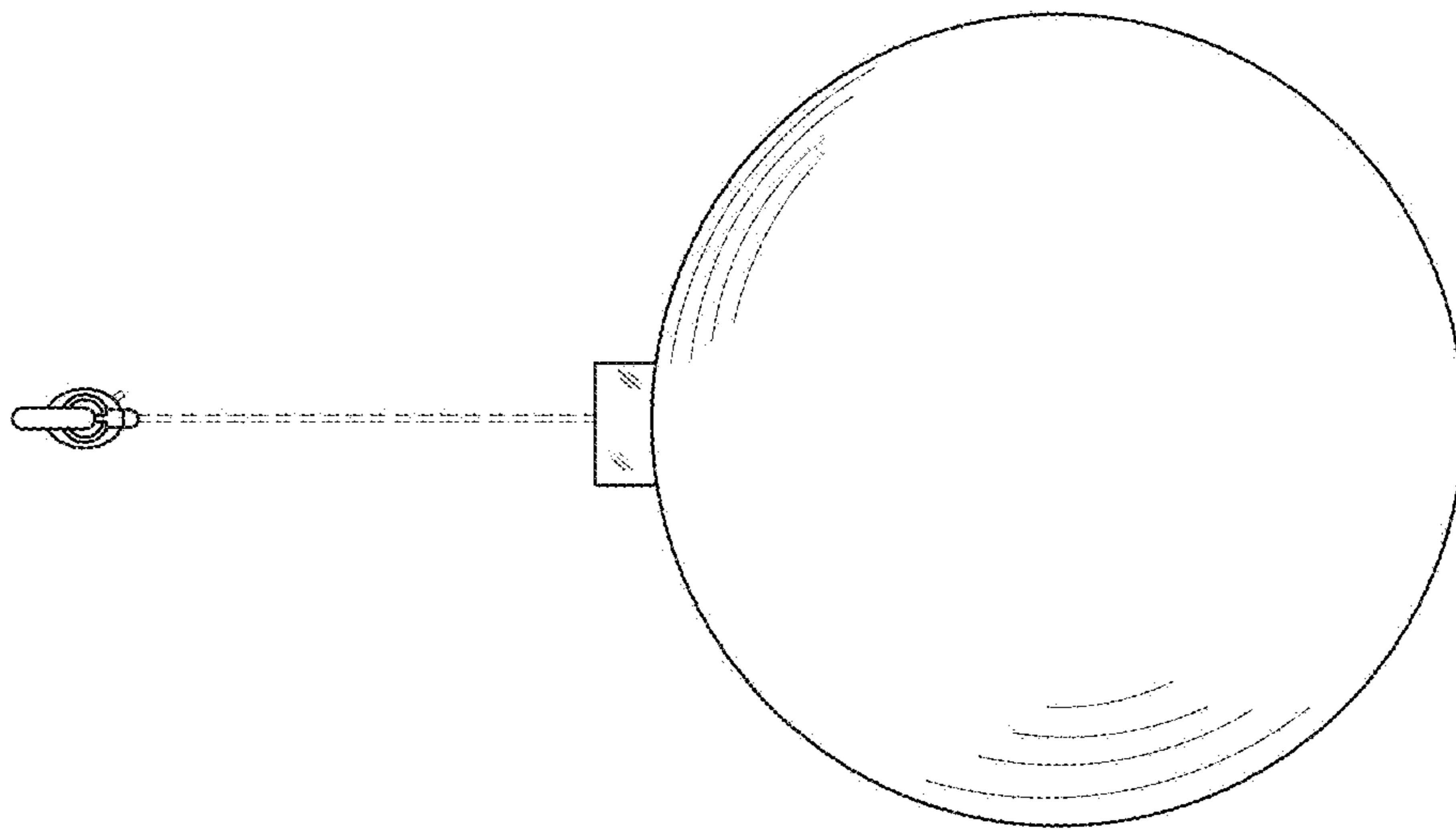


FIG. 7

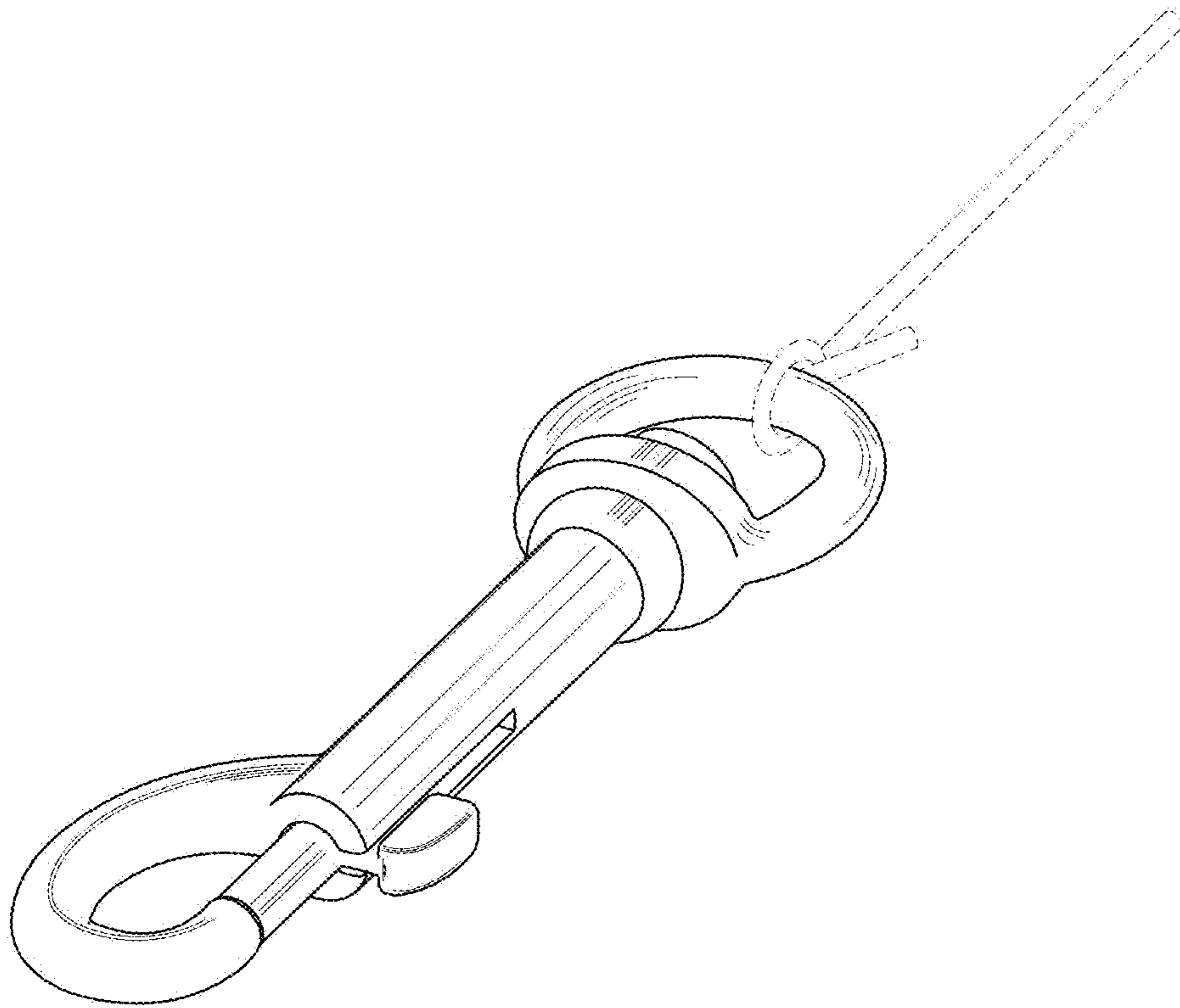


FIG. 8

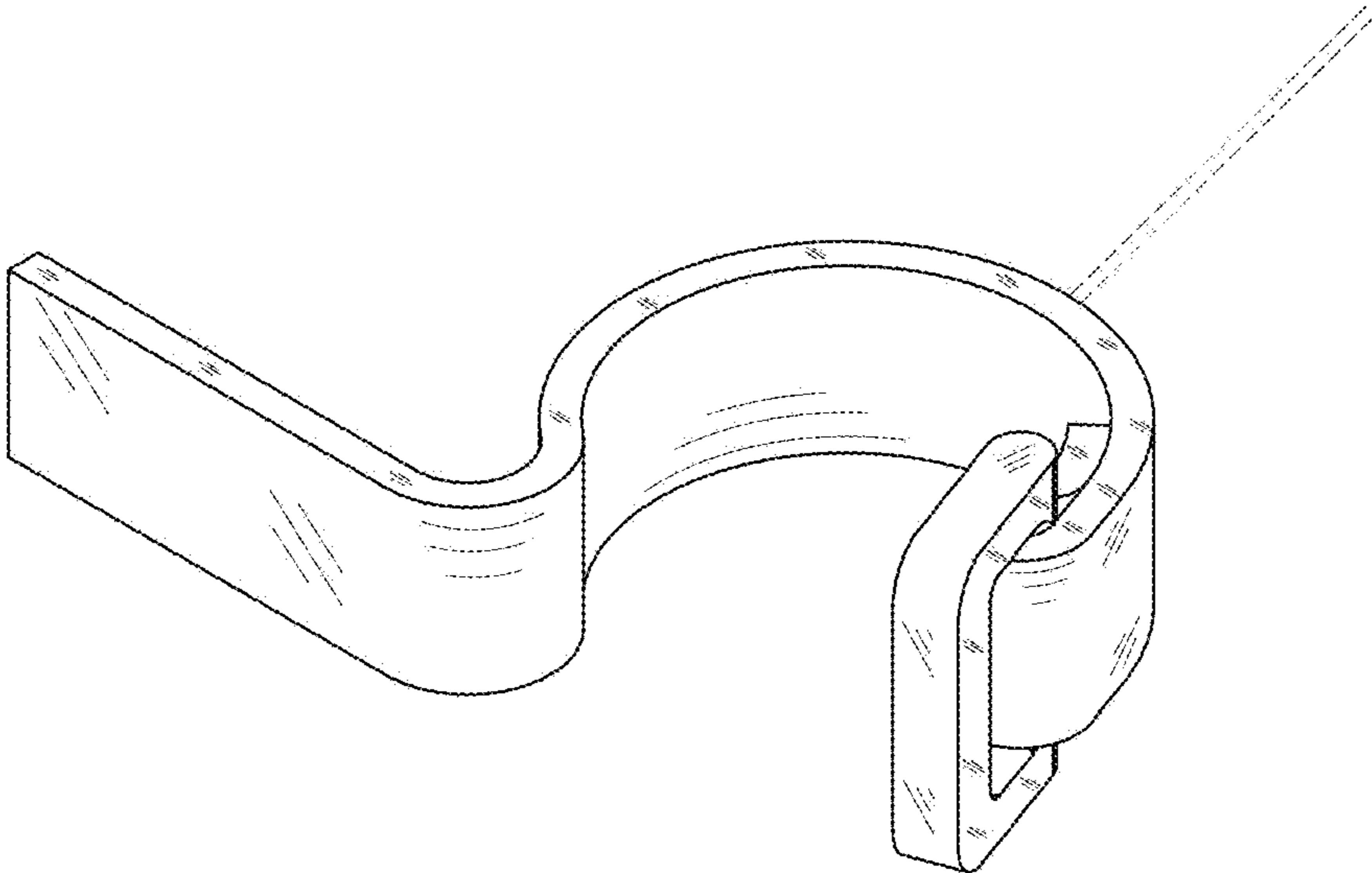


FIG. 9

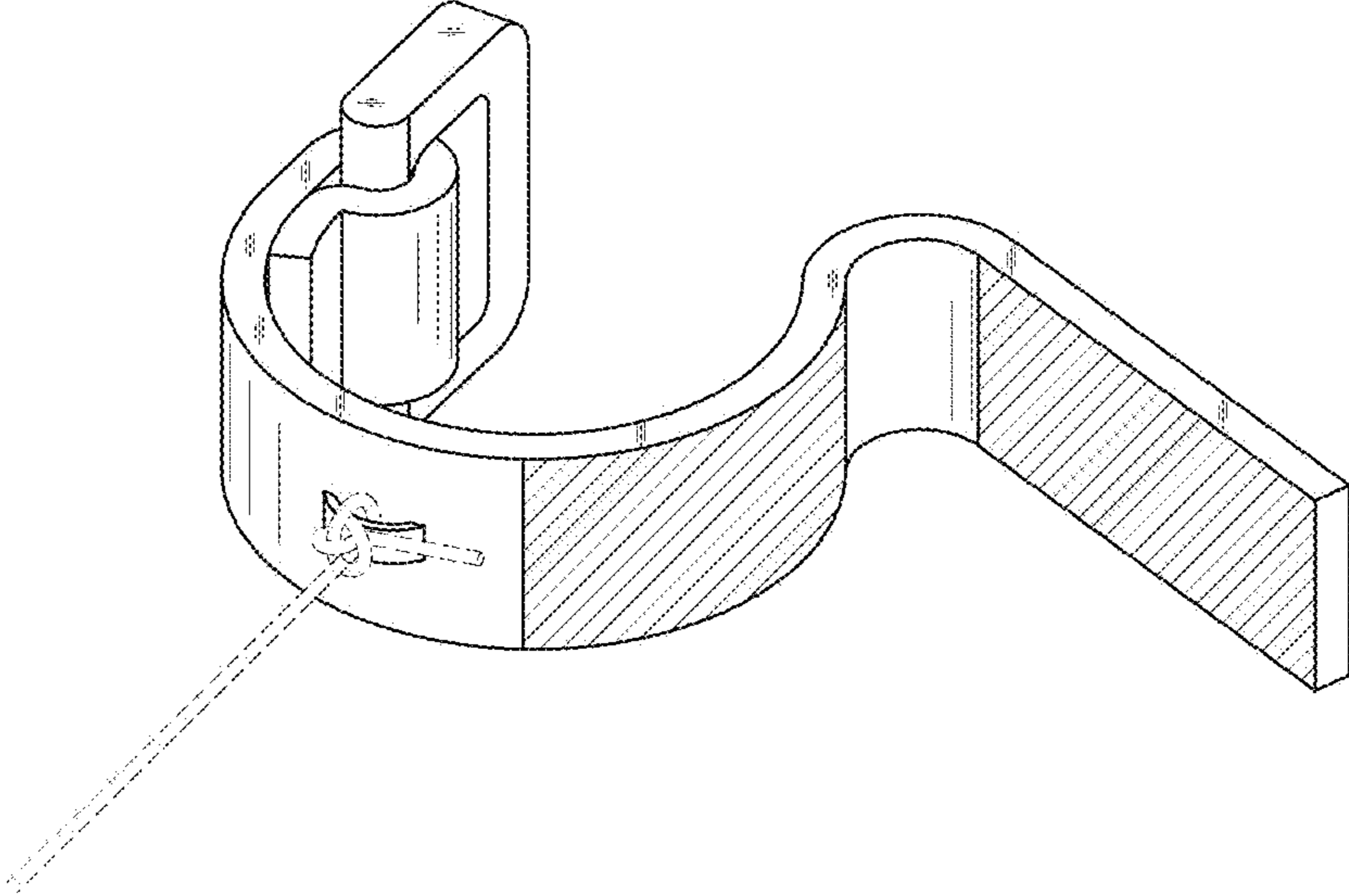


FIG. 10