



US00D984754S

(12) **United States Design Patent**
Lim

(10) **Patent No.:** **US D984,754 S**

(45) **Date of Patent:** **** Apr. 25, 2023**

(54) **DOG LEASH HANDLE**

(71) Applicant: **Inafiction U.S.A., Inc.**, Los Angeles, CA (US)

(72) Inventor: **Doyoung Lim**, Los Angeles, CA (US)

(73) Assignee: **Inafiction U.S.A., Inc.**, Los Angeles, CA (US)

(**) Term: **15 Years**

(21) Appl. No.: **29/712,254**

(22) Filed: **Nov. 6, 2019**

(51) **LOC (14) Cl.** **30-04**

(52) **U.S. Cl.**
USPC **D30/153**

(58) **Field of Classification Search**
USPC D30/144, 151, 152, 153, 154, 155, 199;
D8/107, 300, 313; D21/682, 683, 684,
D21/732, 777, 840; D3/215, 274, 290,
D3/299

CPC .. A01K 27/003; A01K 27/008; A01K 27/004;
B25G 1/102; B65F 1/062

See application file for complete search history.

(56) **References Cited**

U.S. PATENT DOCUMENTS

4,667,624	A *	5/1987	Smith	A47D 13/086	119/857
D337,395	S *	7/1993	Erlinger	D30/153	
D407,866	S *	4/1999	Perrulli	D30/153	
D419,624	S *	1/2000	Eckmann	D21/683	
6,553,944	B1 *	4/2003	Allen	A01K 27/00	119/770
6,932,027	B1 *	8/2005	Whitney	A01K 27/003	119/770
D519,686	S *	4/2006	Alameddine	D30/153	
D662,557	S *	6/2012	Nawracaj	D21/683	
8,413,613	B1 *	4/2013	Smith	A01K 27/003	119/797

D731,715	S *	6/2015	Rissanen	D30/153	
10,820,576	B1 *	11/2020	Colburn	A01K 27/005	
2008/0072844	A1 *	3/2008	Konigsberg	A01K 27/003	119/770
2014/0263799	A1 *	9/2014	Baerwald	A01K 27/004	242/381.5

OTHER PUBLICATIONS

“Gooby: Wristband Sport Leash”. Found online Jun. 23, 2022 at amazon.com. Reference dated Mar. 29, 2021. Retrieved from <https://www.amazon.com/Gooby-Neoprene-Wrist-Surfer-Leash/dp/B08ZGJ8X2R/>.*

(Continued)

Primary Examiner — Kendra Leslie Hamilton

(74) *Attorney, Agent, or Firm* — Heedong Chae; Lucem, PC

(57) **CLAIM**

The ornamental design for a dog leash handle, as shown and described.

DESCRIPTION

FIG. 1 is a perspective view of the dog leash handle in an environment of use showing my new design;
FIG. 2 is a front perspective view of the dog leash handle of FIG. 1;

FIG. 3 is a rear perspective view thereof;

FIG. 4 is a front elevational view thereof;

FIG. 5 is a rear elevational view thereof;

FIG. 6 is a left side view thereof;

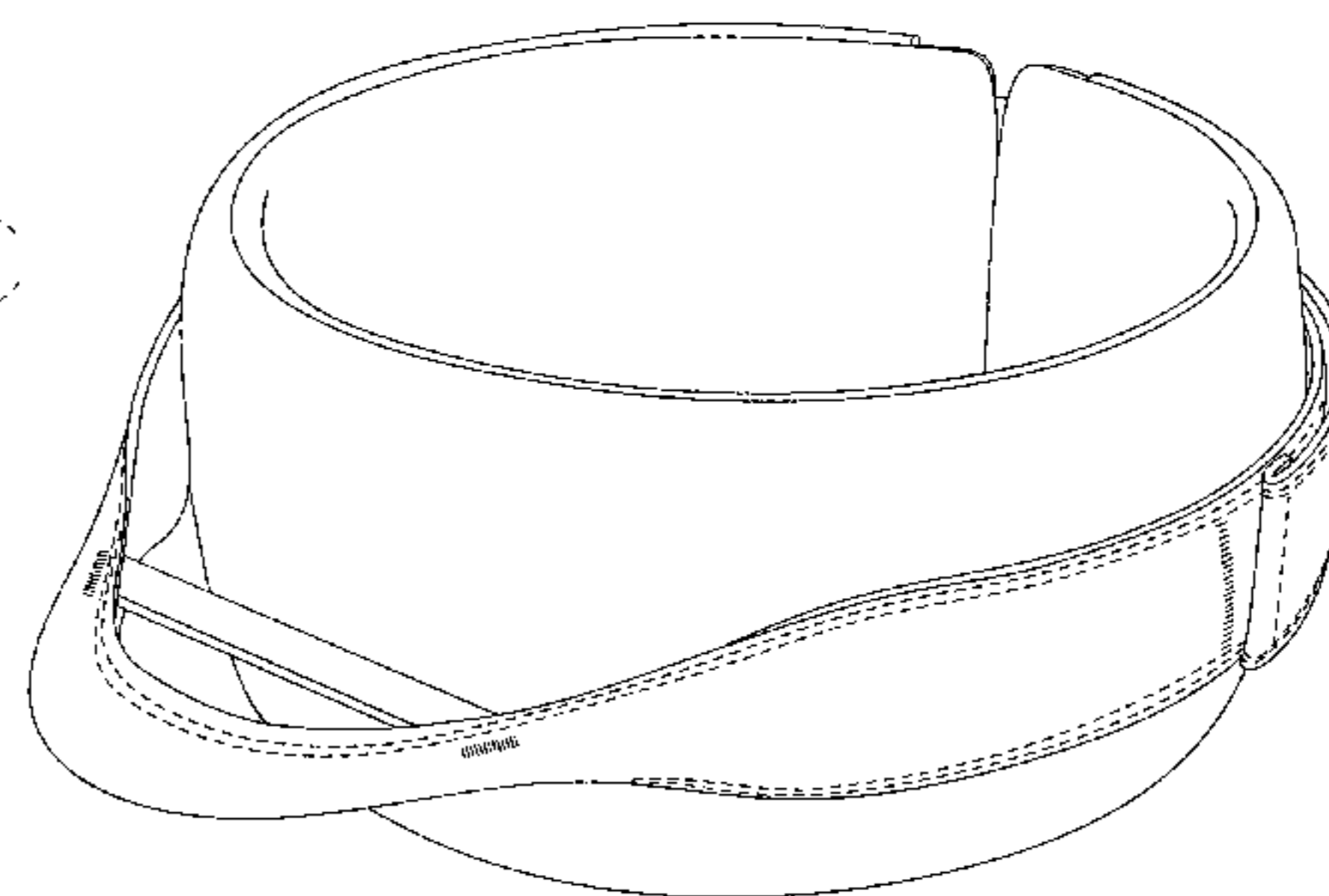
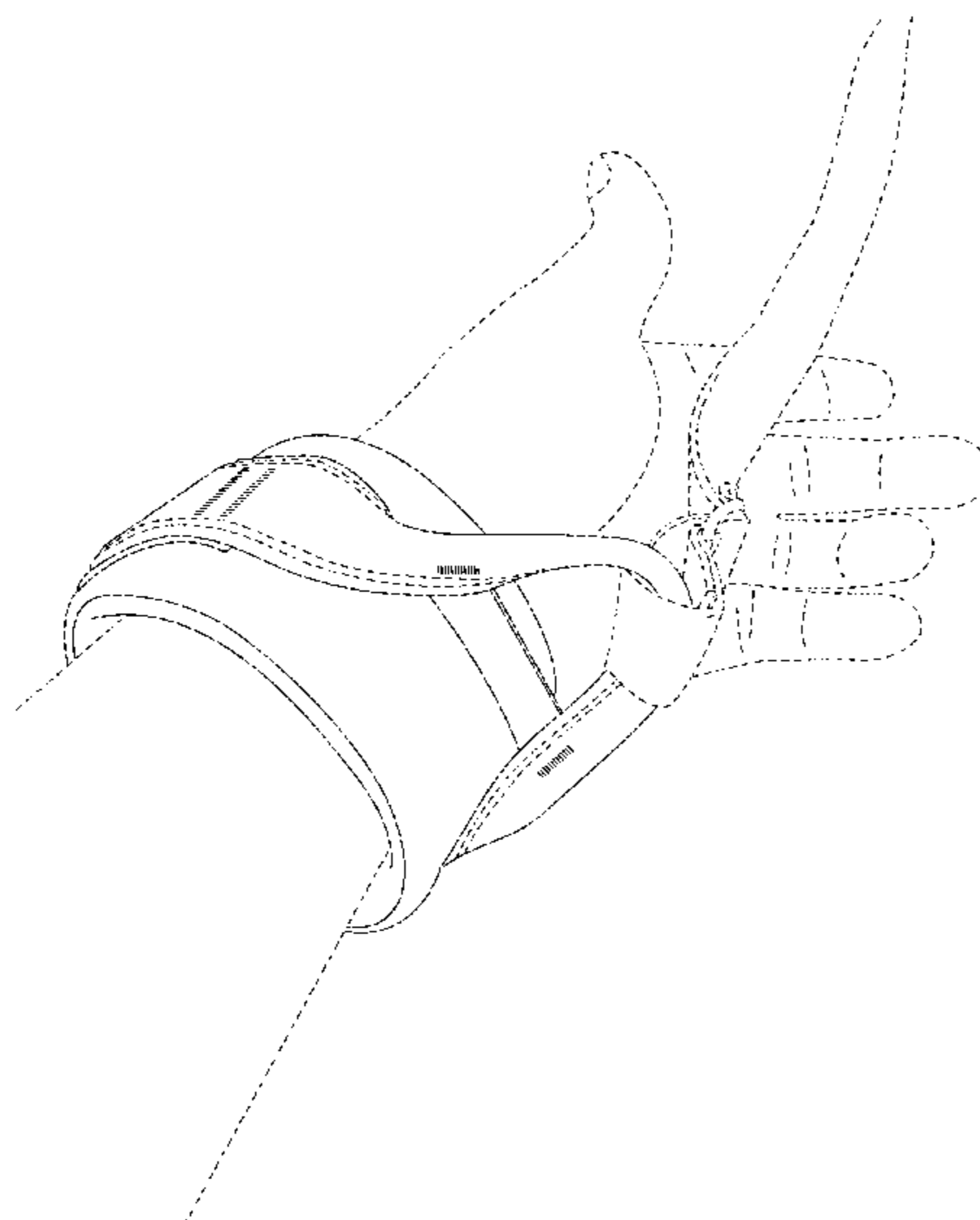
FIG. 7 is a right side view thereof;

FIG. 8 is a top plan view thereof; and,

FIG. 9 is a bottom plan view thereof.

In all of the drawings, the broken lines on the dog leash handle depict stitching and form no part of the claimed design. In FIG. 1, the broken line showing of a human hand and leash band depicts environmental subject matter only and forms no part of the claimed design.

1 Claim, 9 Drawing Sheets



(56)

References Cited

OTHER PUBLICATIONS

“PatentoPet: Hands-Free Leash”. Found online Jun. 22, 2018 at amazon.co.uk. Page dated Dec. 25, 2012. Retrieved from <https://www.amazon.co.uk/PatentoPet-Hands-Free-Leash-Black/dp/B005HADLFE/>.*

“Liberty: Wristband Dog Leash”. Found online Oct. 12, 2016 at amazon.com. Reference dated Jul. 12, 2014. Retrieved from <https://www.amazon.com/LIBERTY-WRISTBAND-BLACK-Superior-Engineered/dp/B00L4J8A51/>.*

“Kinderkord: Wristband Child Leash”. Found online Apr. 8, 2016 at kinderkord.com. Reference dated Aug. 28, 2008. Retrieved from <http://web.archive.org/web/20080828033724/http://www.kinderkord.com/>.*

* cited by examiner

FIG. 1

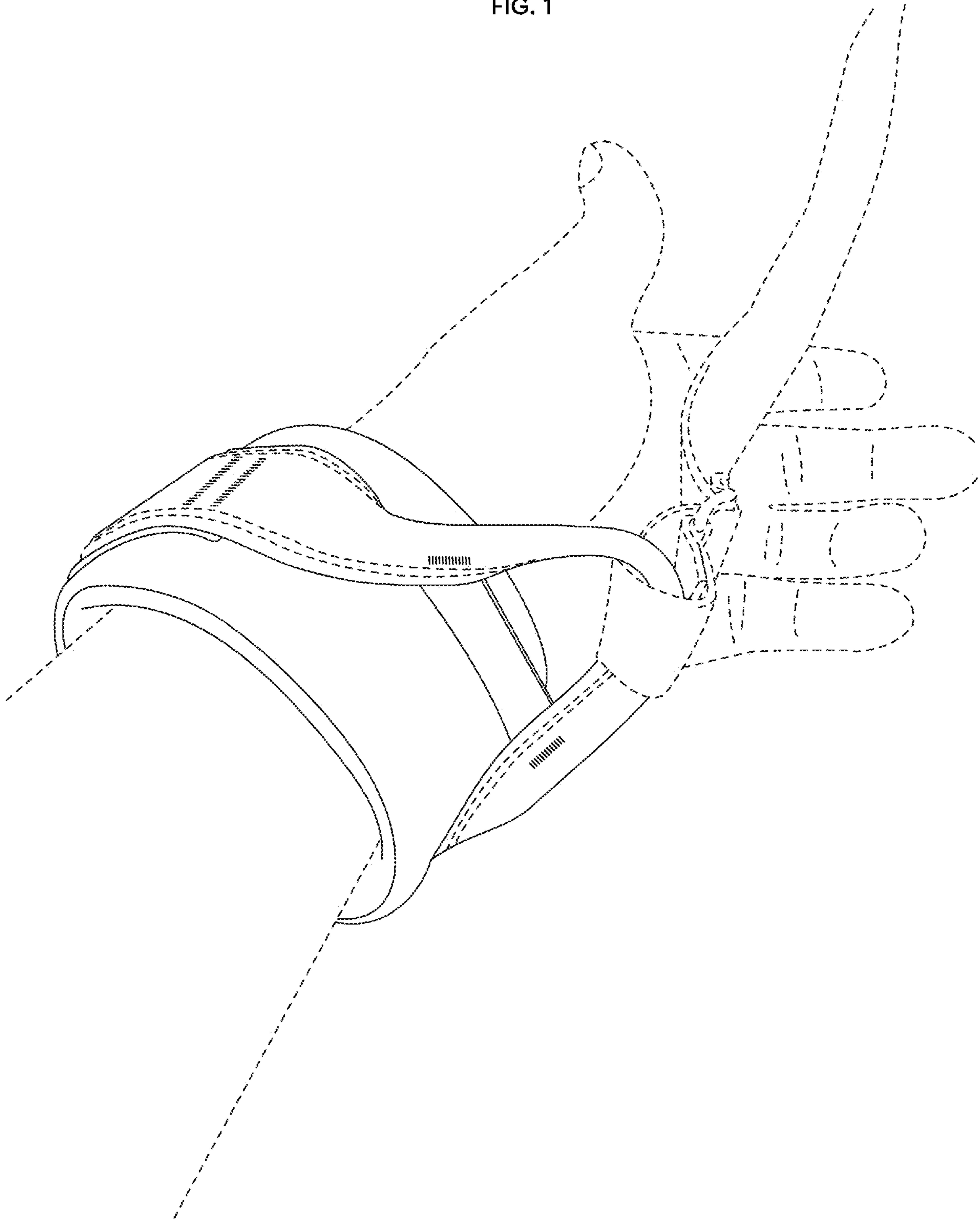


FIG. 2

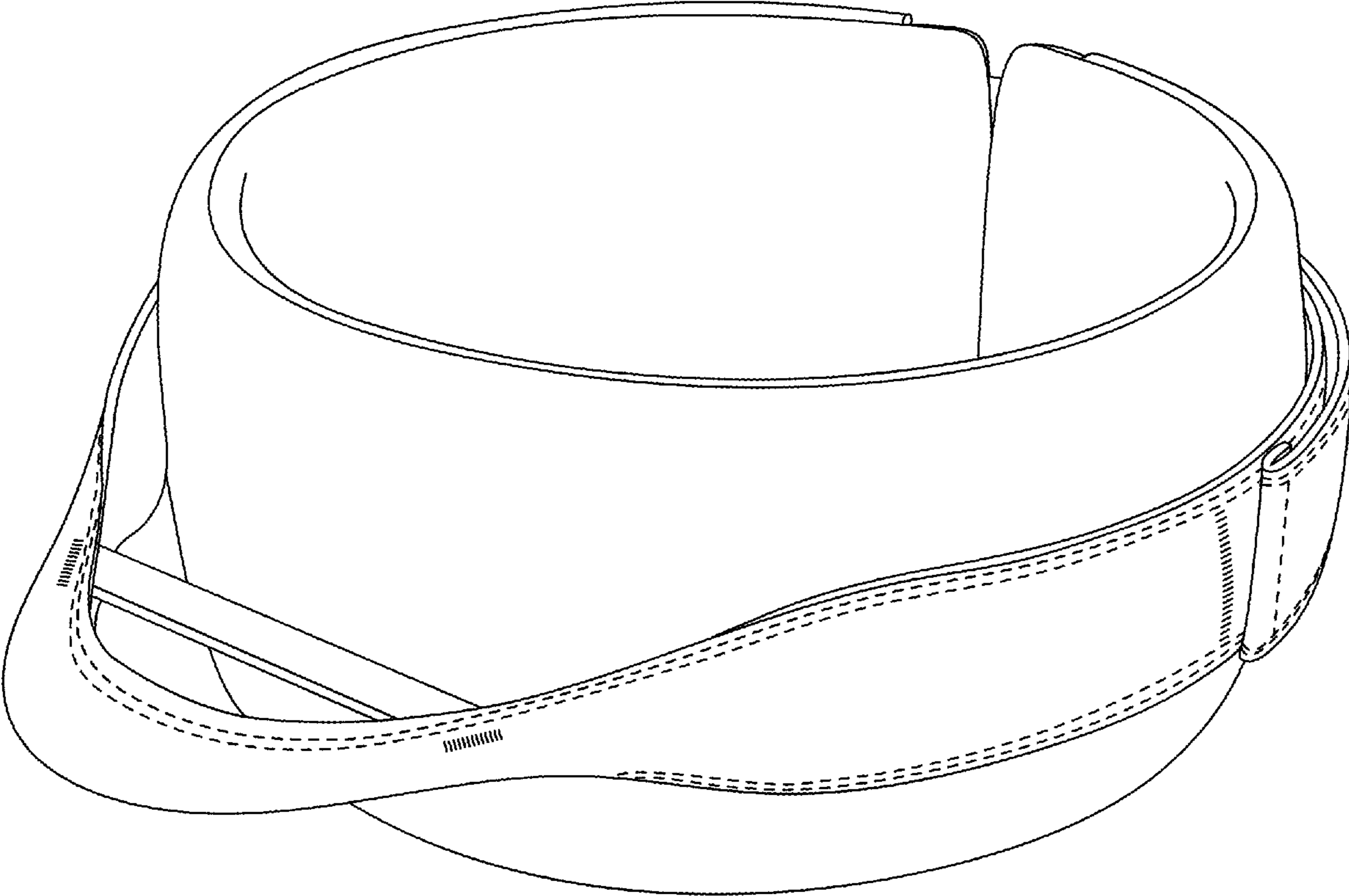


FIG. 3

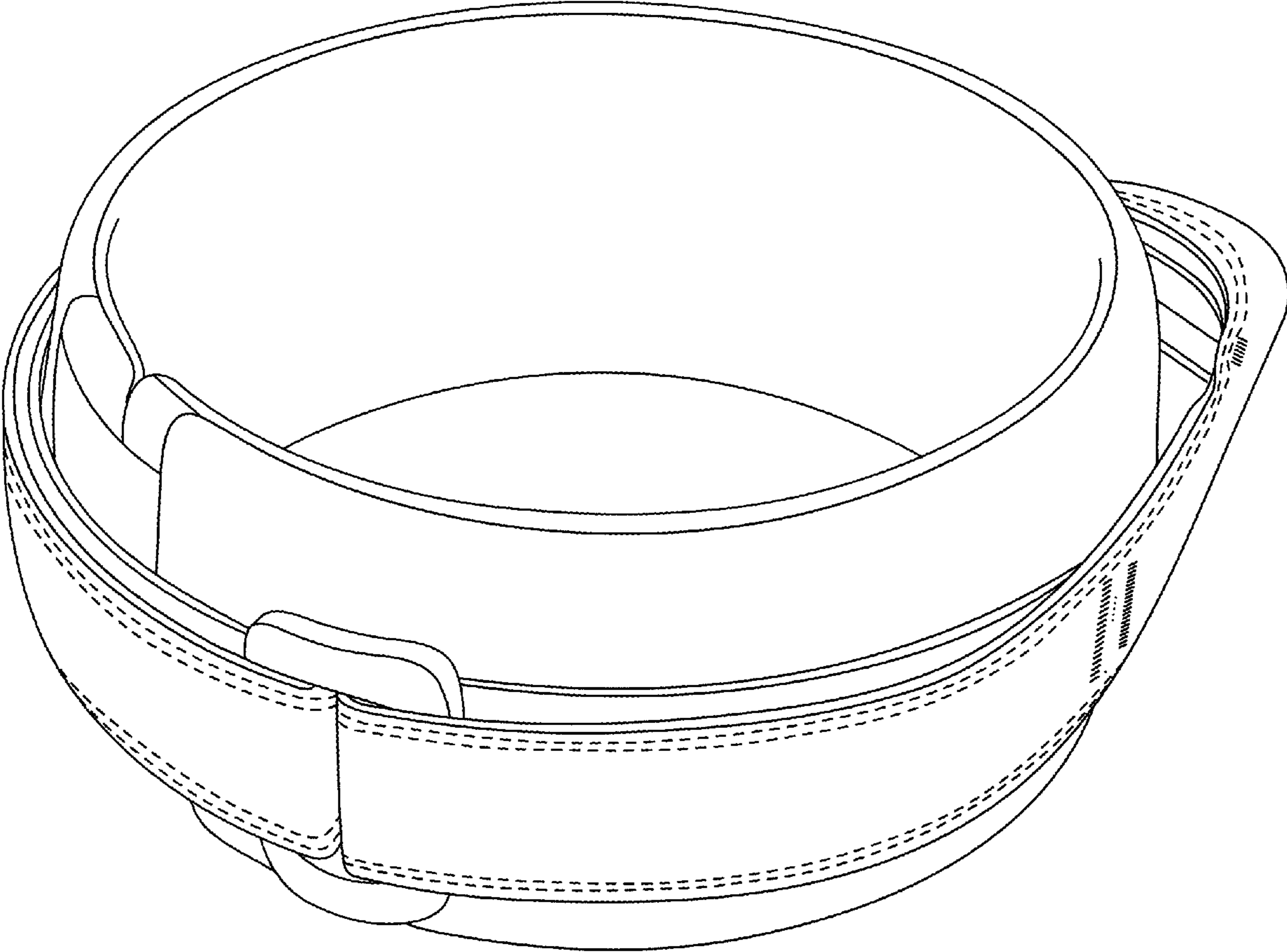


FIG. 4

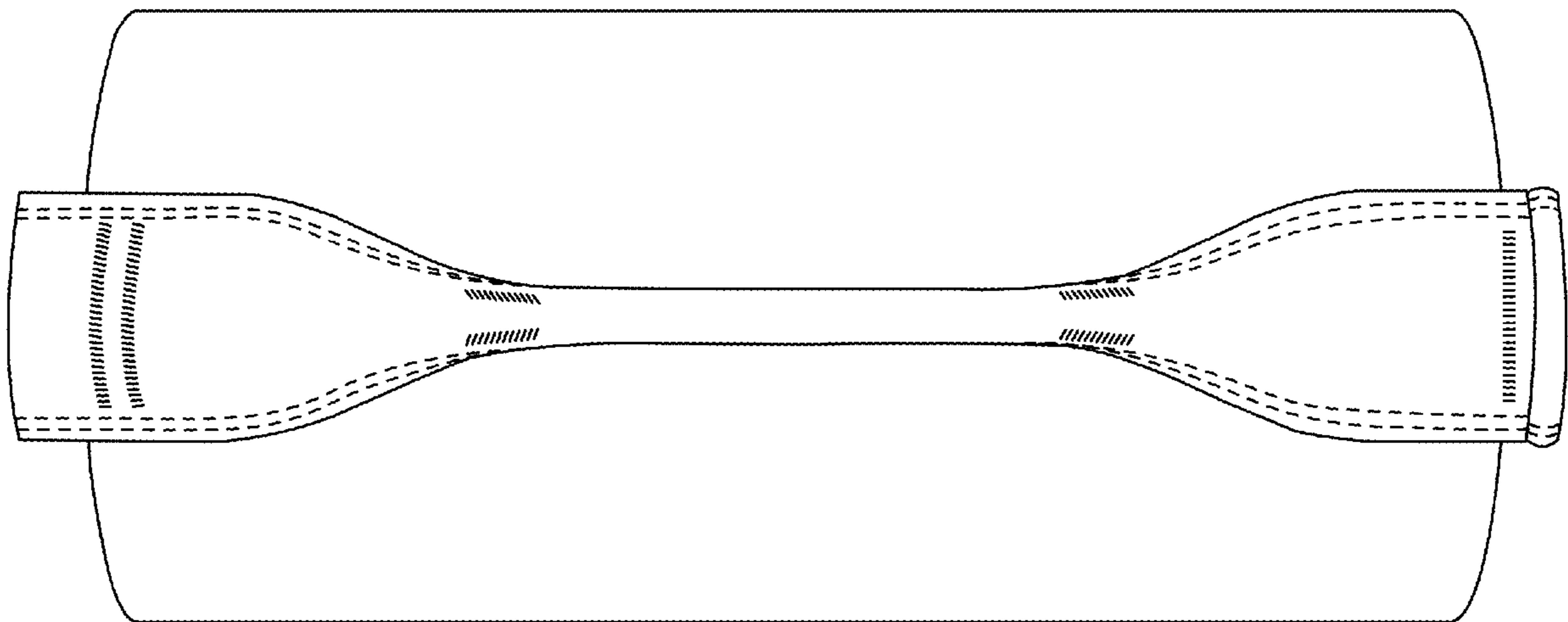


FIG. 5

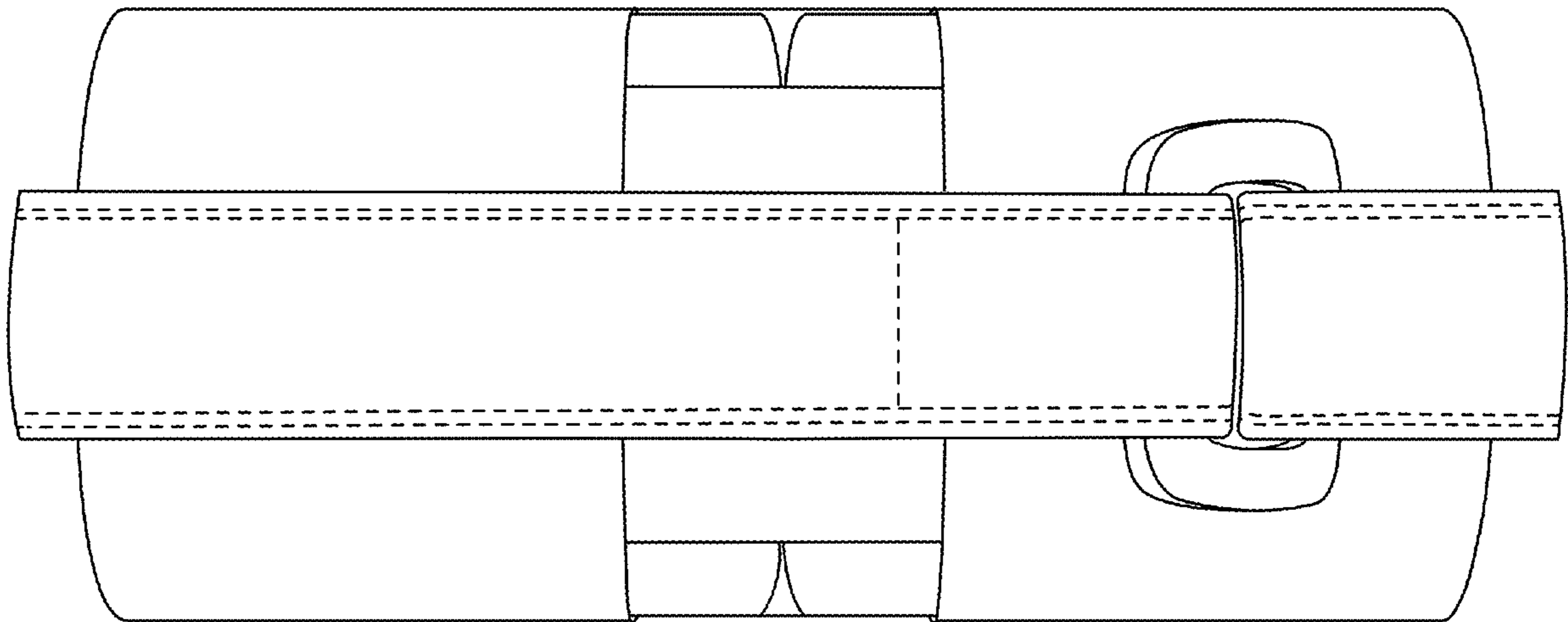


FIG. 6

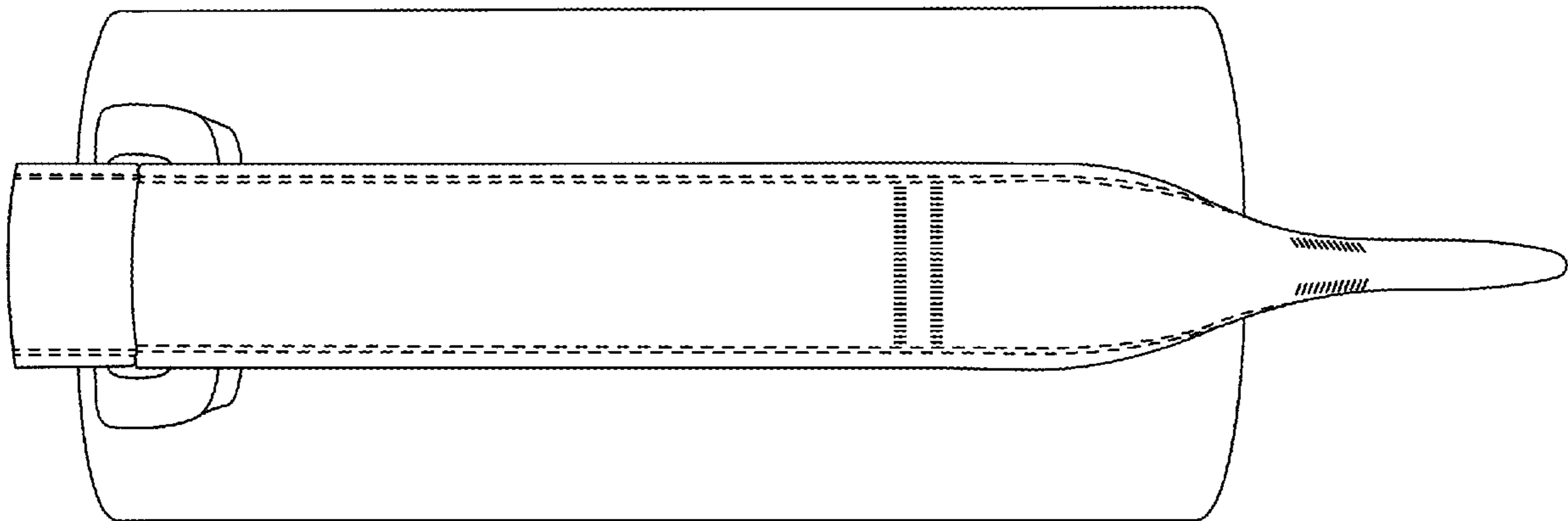


FIG. 7

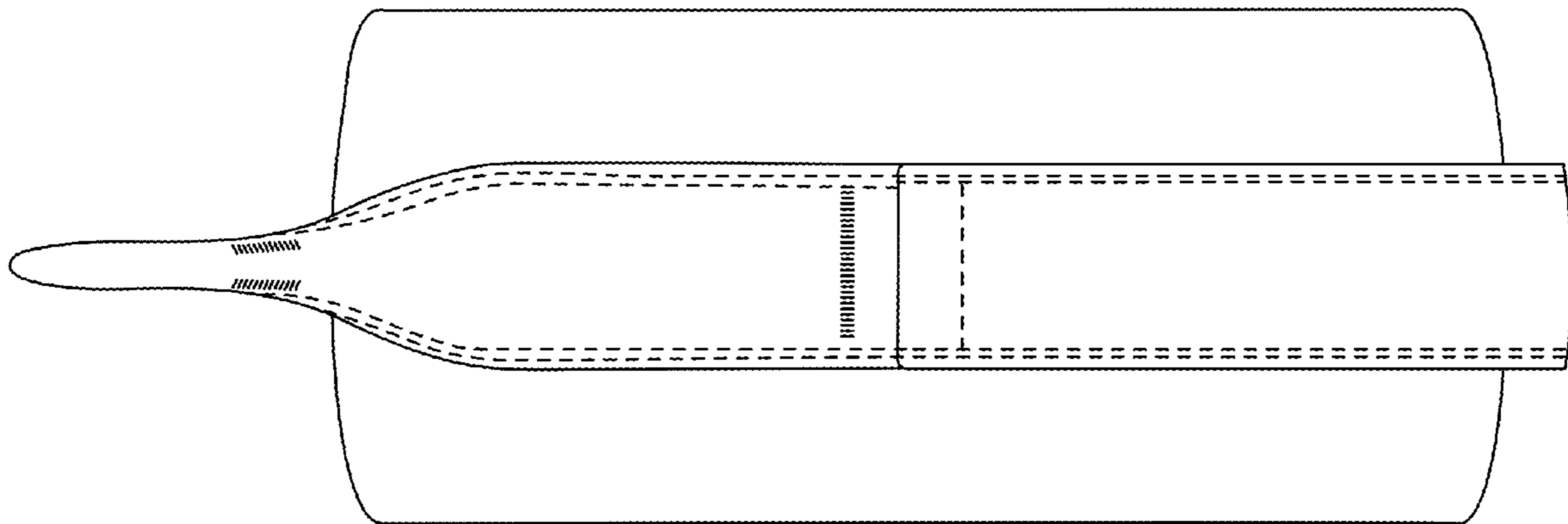


FIG. 8

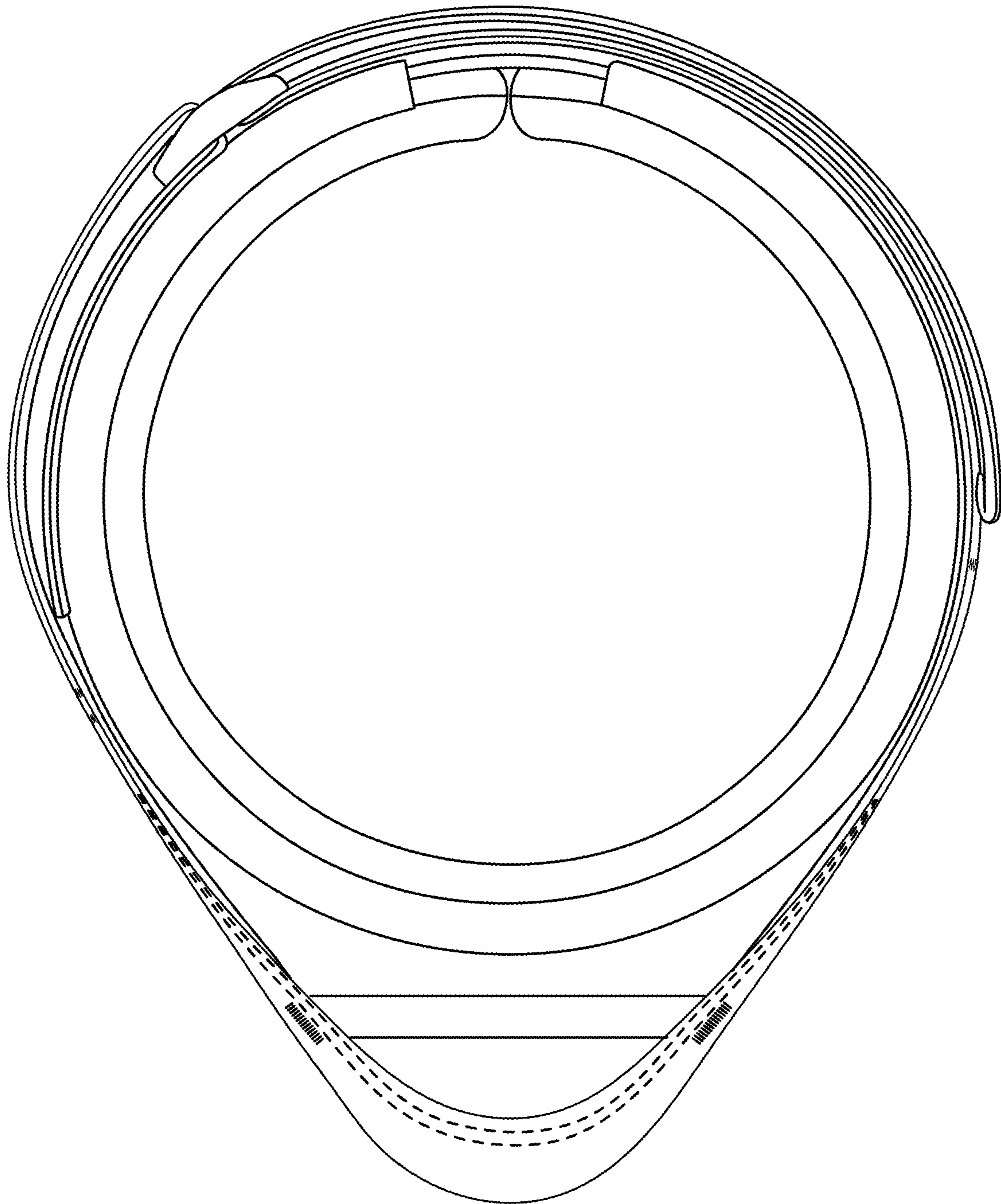


FIG. 9

