



US00D984751S

(12) **United States Design Patent**
Shen

(10) **Patent No.:** **US D984,751 S**
(45) **Date of Patent:** **** Apr. 25, 2023**

(54) **HUMMINGBIRD FEEDER**

(71) Applicant: **Shanghai Lvtengluo Trading Co., Ltd.**, Shanghai (CN)

(72) Inventor: **Zhifeng Shen**, Nanjing (CN)

(**) Term: **15 Years**

(21) Appl. No.: **29/837,927**

(22) Filed: **May 10, 2022**

(51) **LOC (14) Cl.** **30-03**

(52) **U.S. Cl.**
USPC **D30/124**

(58) **Field of Classification Search**
USPC D30/108, 110, 111, 114, 115, 116, 121, D30/123, 124, 125, 126, 127, 128, 158, D30/159, 199; 119/51.01, 52.2, 52.3, 53, 119/57.8, 57.9, 428, 429, 469; D7/522, D7/523, 524, 529, 537; D11/143; D6/556, 623
CPC A01K 39/00; A01K 39/01; A01K 39/012; A01K 39/0113; A01K 39/0206; A01K 39/026
See application file for complete search history.

D698,101 S 1/2014 Muhr
D698,501 S 1/2014 Muhr
D727,574 S 4/2015 Schroeder
D813,466 S * 3/2018 Tang D30/127
D813,467 S * 3/2018 Tang D30/127
D852,432 S * 6/2019 Hua D30/126
D914,997 S 3/2021 Jin
2009/0199777 A1 * 8/2009 Webber A01K 39/04 119/74

OTHER PUBLICATIONS

Muse Garden Hummingbird Feeder. Muse Garden, amazon.com (online) 11 pages. Posted Aug. 18, 2021. [Retrieved Oct. 14, 2022] <https://a.co/d/epUJWkP> (Year: 2021).*

LaElvish. LaElvish Garden, amazon.com (online) 12 pages. Posted Unknown. [Retrieved Oct. 14, 2022] <https://a.co/d/4gFSMOM> (Year: NA).*

* cited by examiner

Primary Examiner — Rebekah A Caruso
Assistant Examiner — Cole Sanders Holman
(74) *Attorney, Agent, or Firm* — Rumit Ranjit Kanakia

(57) **CLAIM**

The ornamental design for a hummingbird feeder, as shown and described.

DESCRIPTION

FIG. 1 is a perspective view of a hummingbird feeder showing my new design;
FIG. 2 is another perspective view thereof;
FIG. 3 is a front view thereof;
FIG. 4 is a rear view thereof;
FIG. 5 is a left side view thereof;
FIG. 6 is a right side view thereof;
FIG. 7 is a top view thereof; and,
FIG. 8 is a bottom view thereof.

1 Claim, 8 Drawing Sheets

(56) **References Cited**

U.S. PATENT DOCUMENTS

5,507,249 A * 4/1996 Shaw A01K 39/0206 119/72

D454,669 S 3/2002 Lieb
D472,351 S 3/2003 Griffin
D521,689 S * 5/2006 Lombard D30/124
D603,567 S * 11/2009 Chen D30/124
D606,708 S 12/2009 McMullen
7,874,264 B2 * 1/2011 McMullen A01K 39/012 119/52.2

D656,279 S 3/2012 Tu
D676,614 S 2/2013 Fields
D683,911 S 6/2013 Muhr

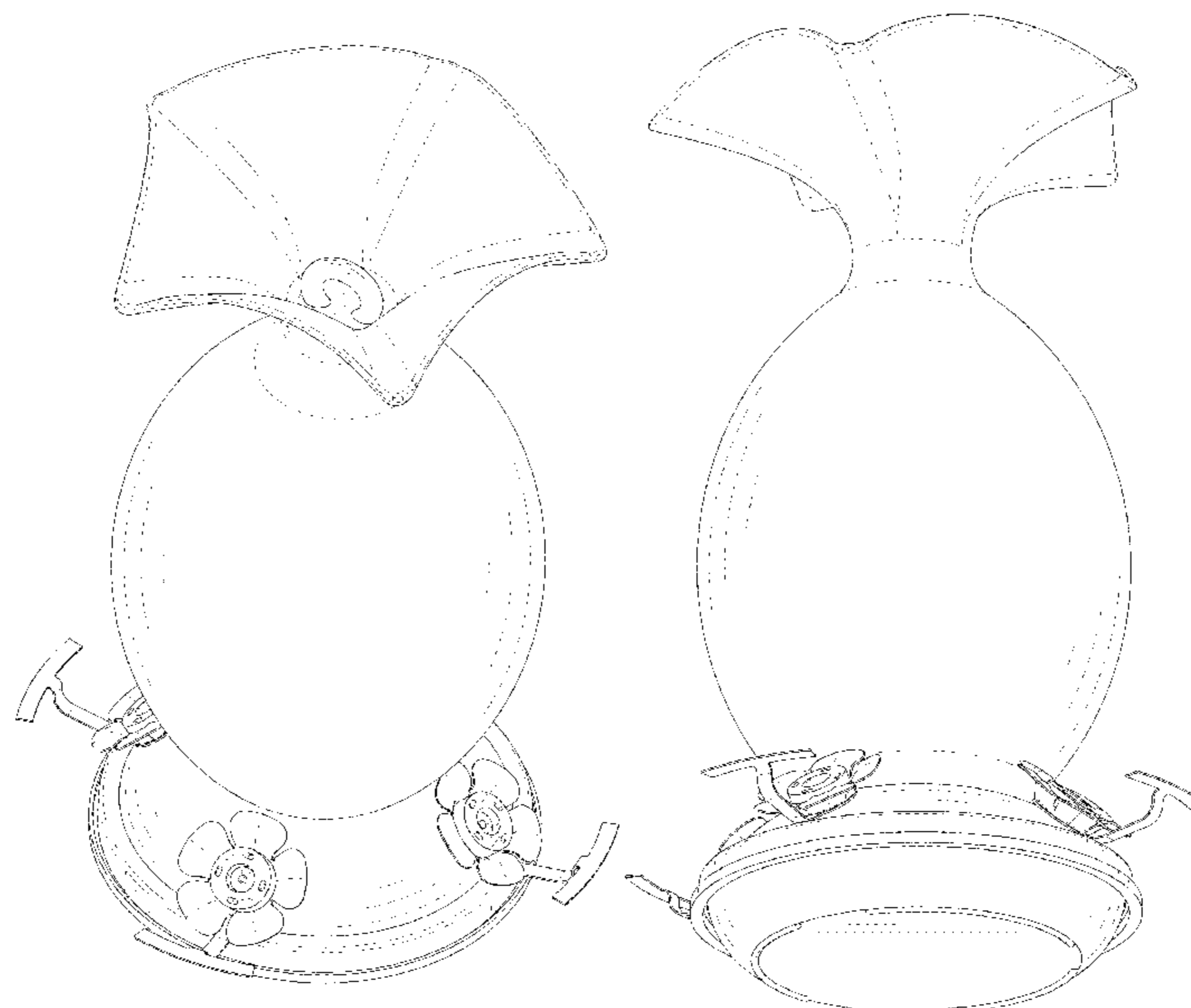




FIG. 1

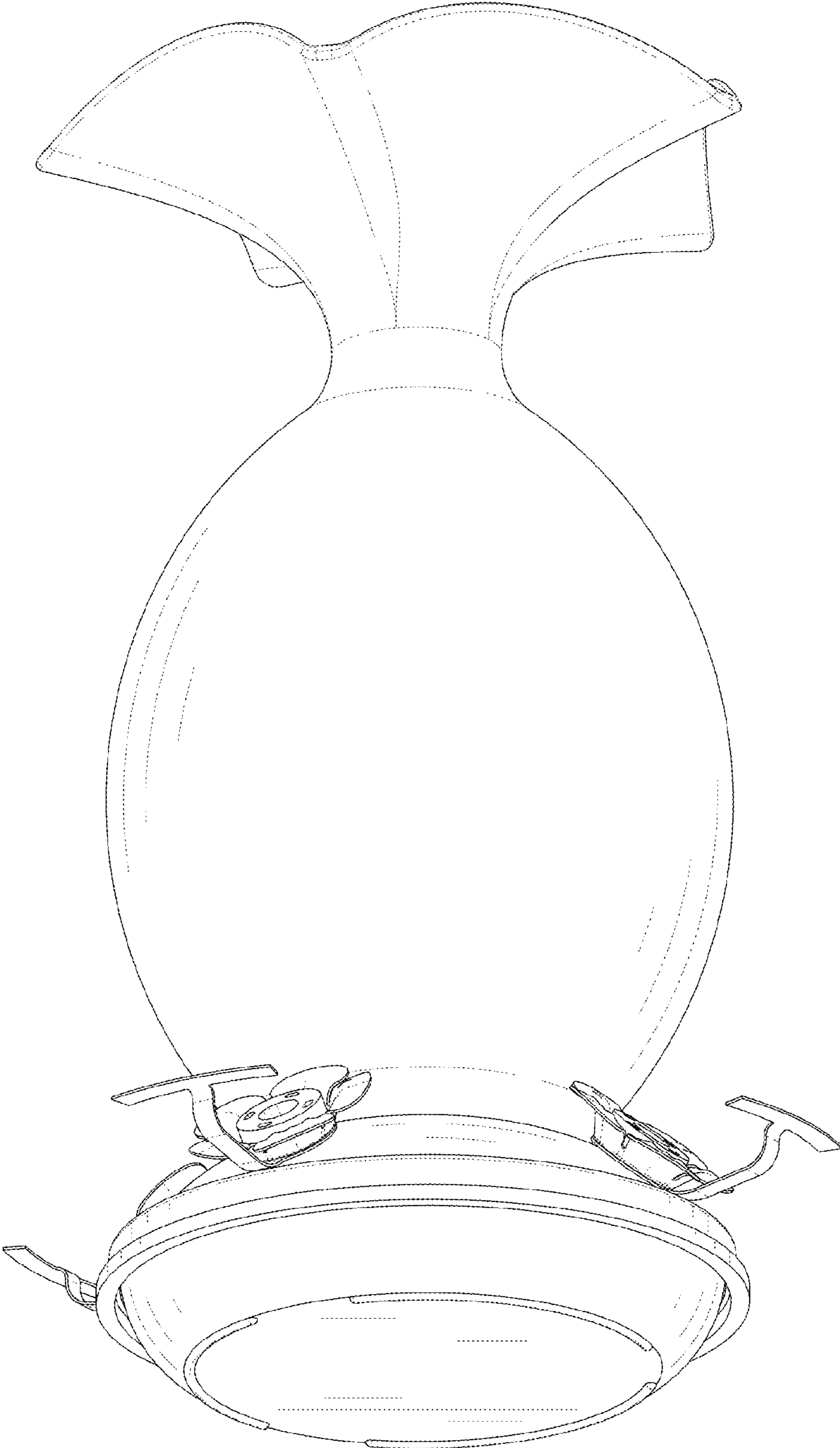


FIG. 2

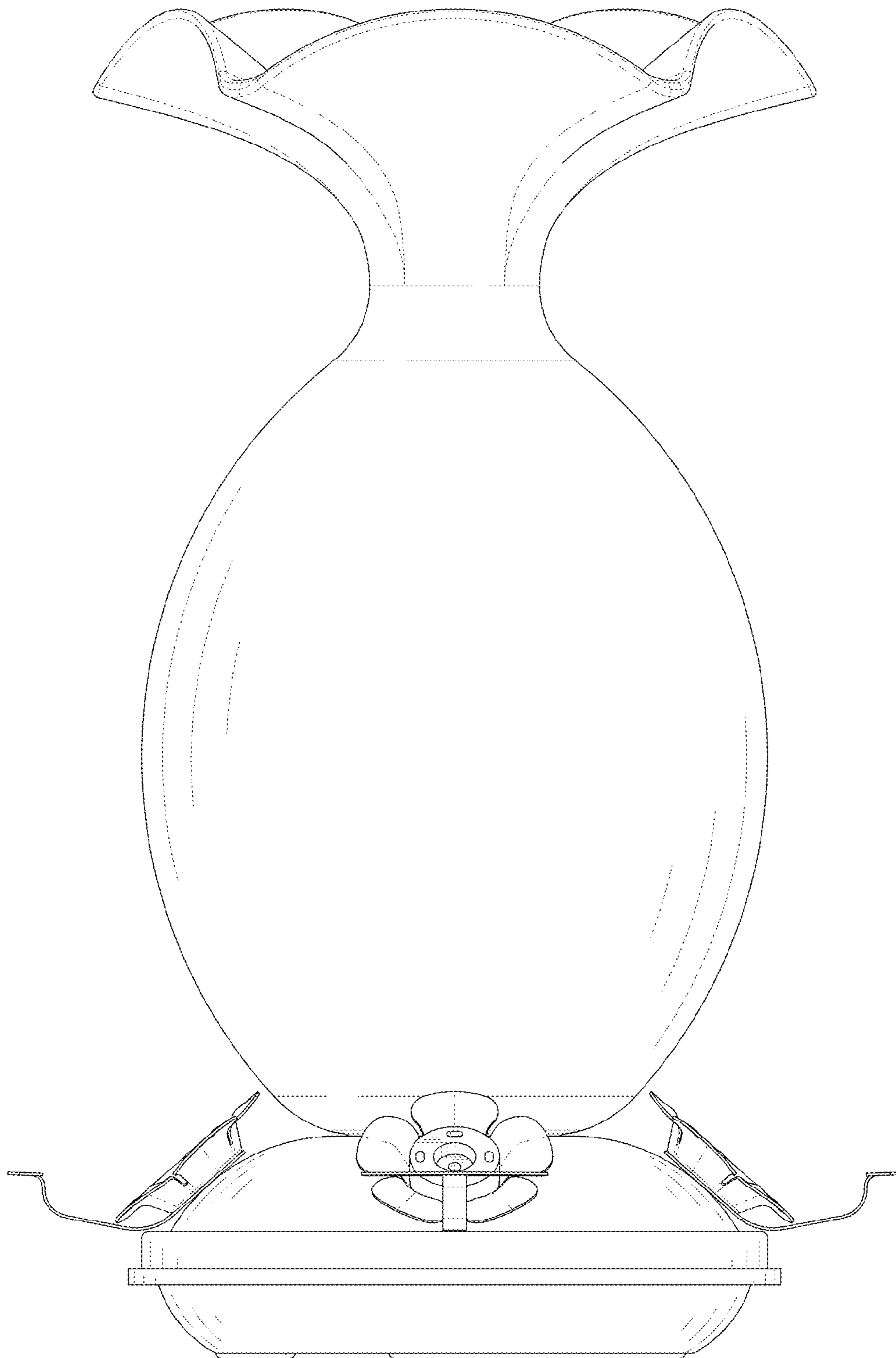


FIG. 3

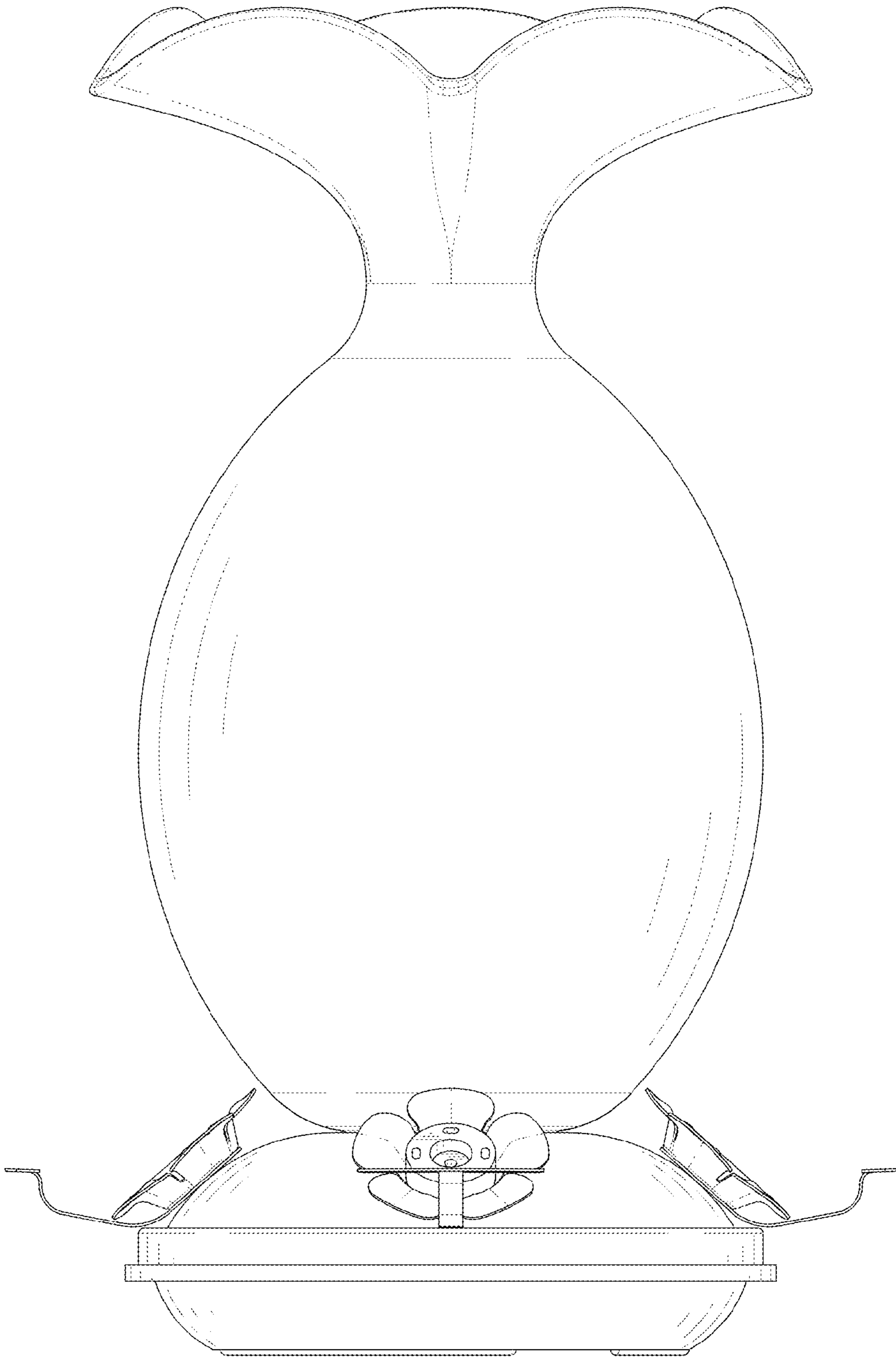


FIG. 4

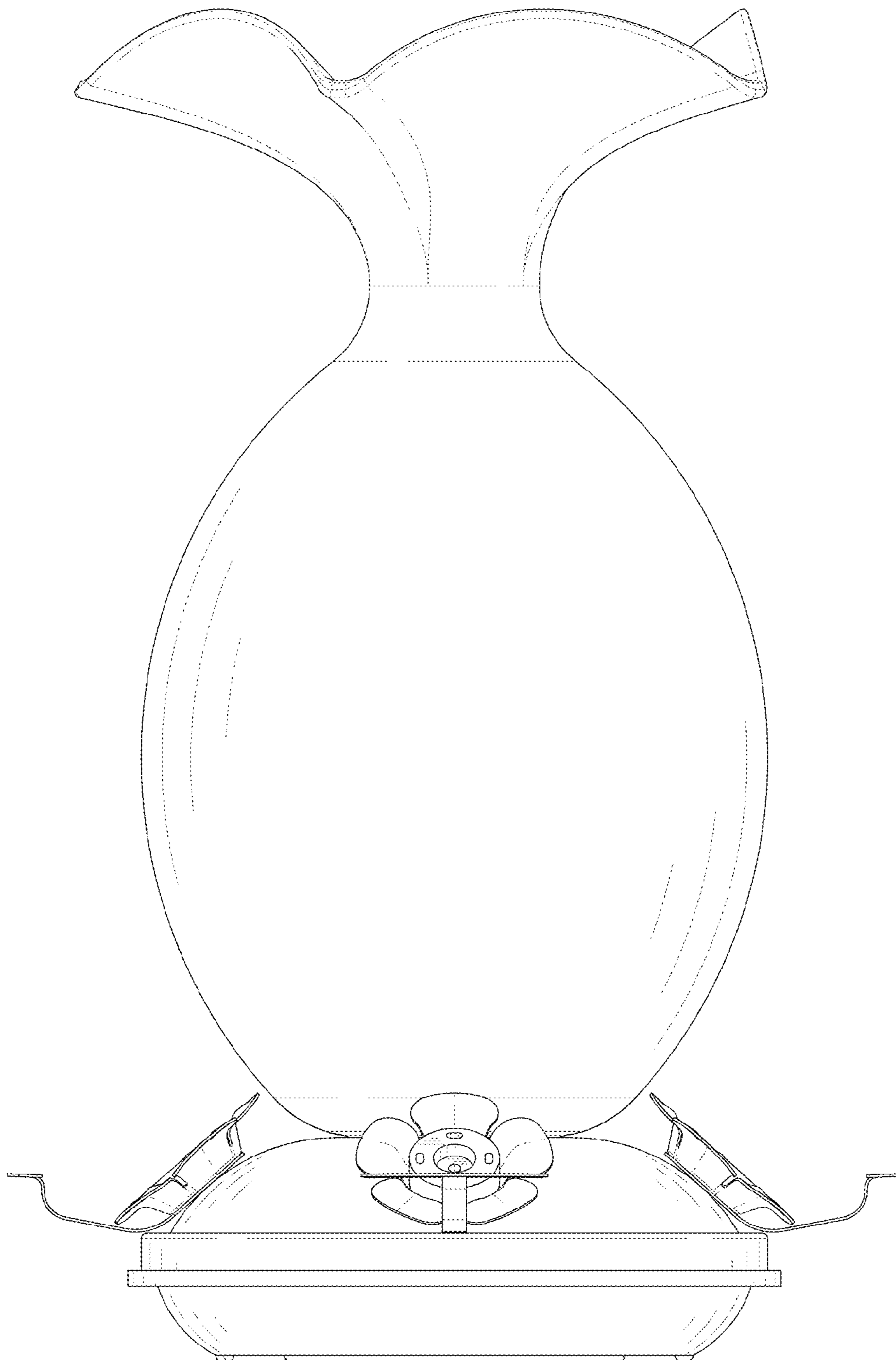


FIG. 5

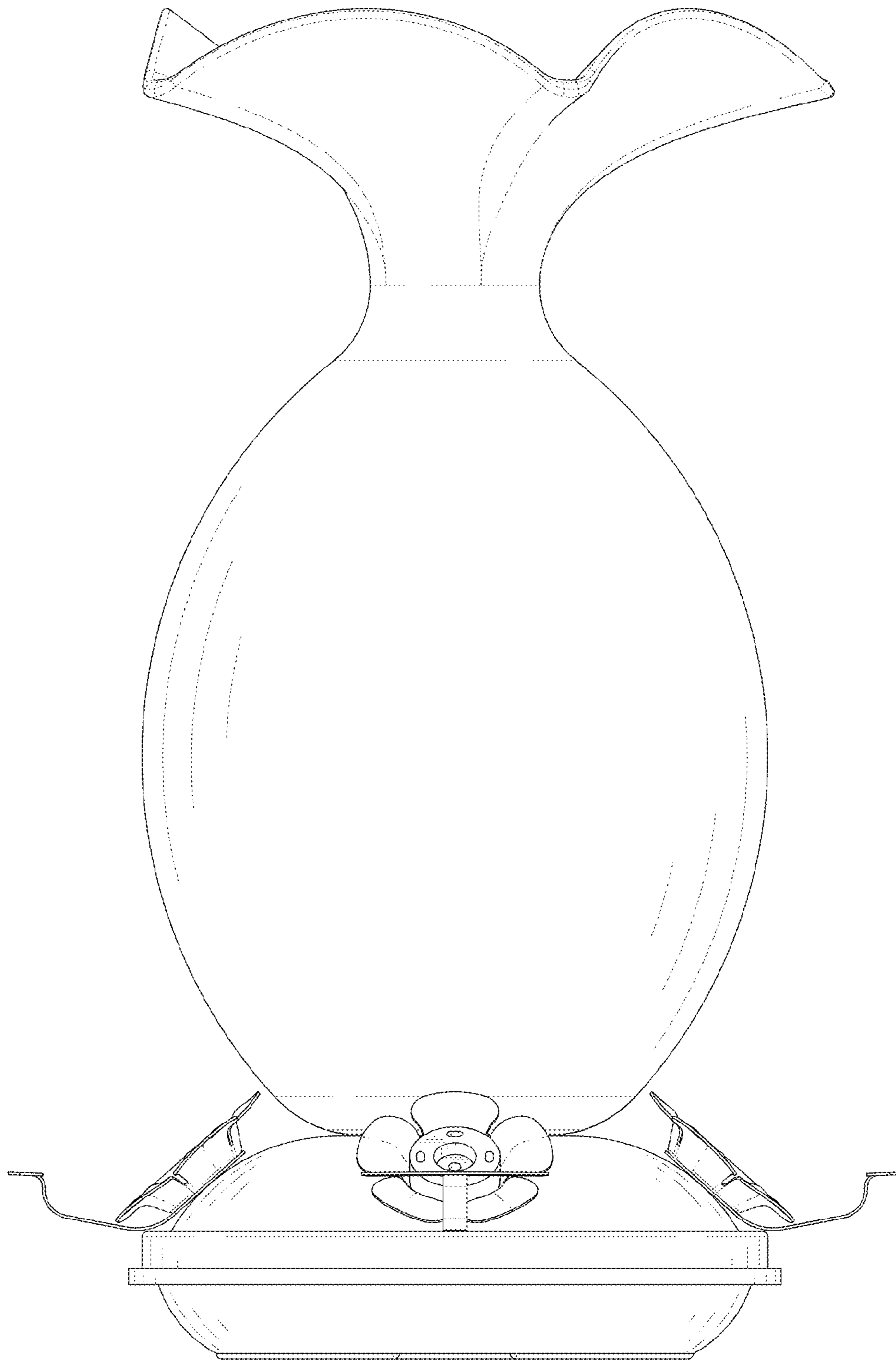


FIG. 6

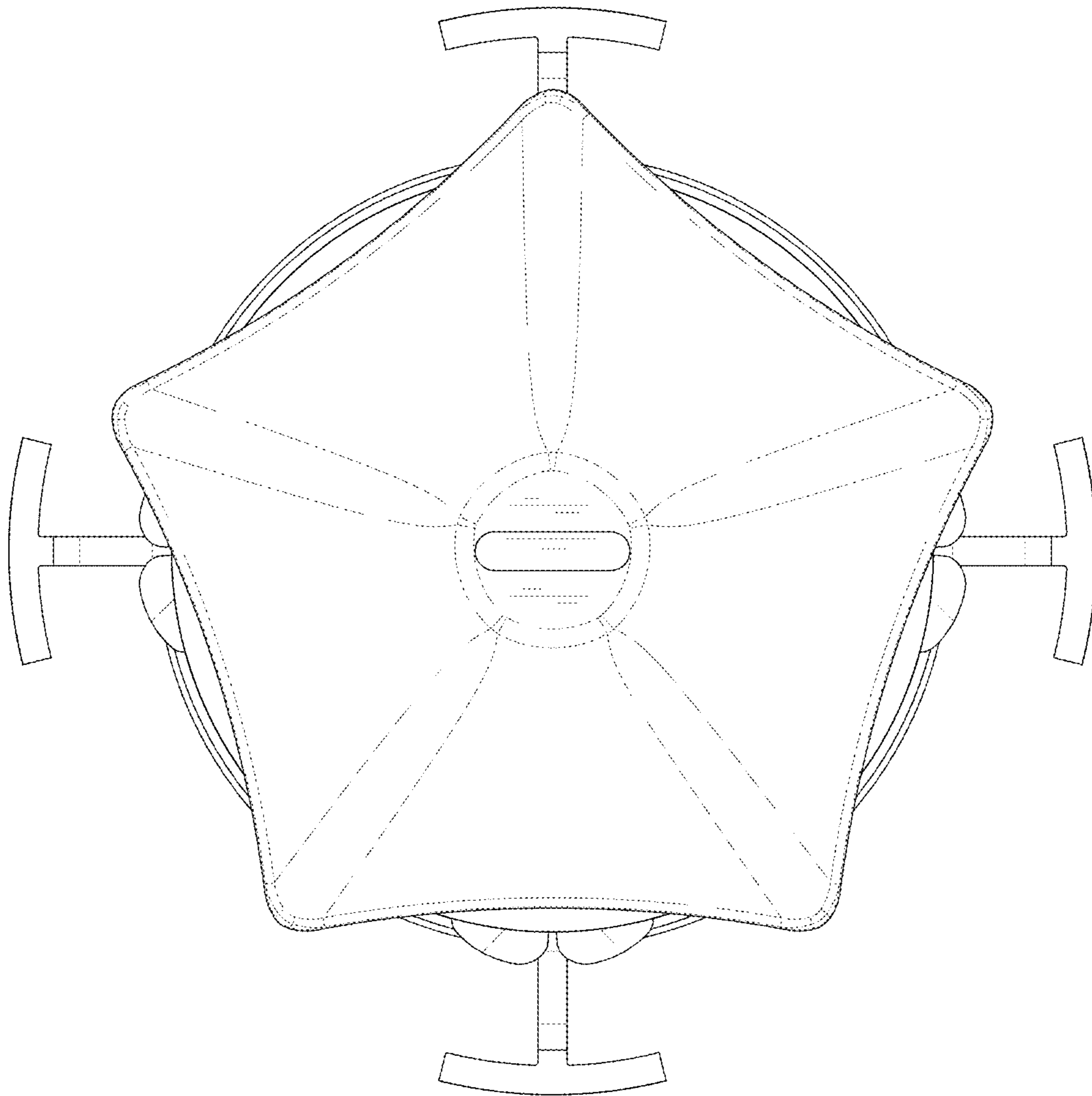


FIG. 7

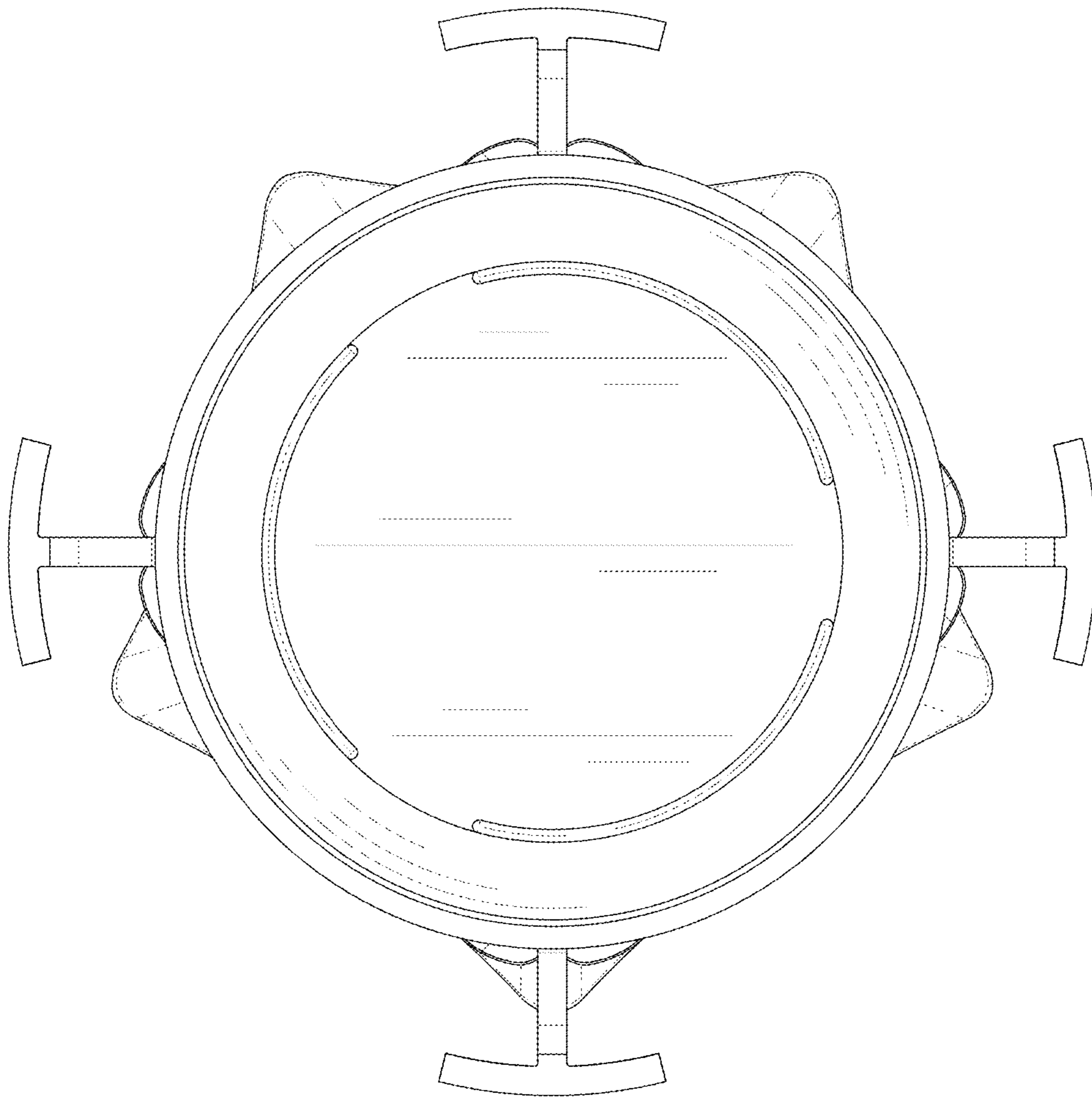


FIG. 8