



US00D984749S

(12) **United States Design Patent**
Shao

(10) **Patent No.:** **US D984,749 S**
(45) **Date of Patent:** **** Apr. 25, 2023**

- (54) **PET SUNSHADE CAR SEAT**
- (71) Applicant: **Liangwei Shao**, Taizhou (CN)
- (72) Inventor: **Liangwei Shao**, Taizhou (CN)
- (**) Term: **15 Years**
- (21) Appl. No.: **29/806,696**
- (22) Filed: **Sep. 6, 2021**
- (51) **LOC (14) Cl.** **30-06**
- (52) **U.S. Cl.**
USPC **D30/118**
- (58) **Field of Classification Search**
USPC D30/118; D12/416; D6/334, 715, 715.1,
D6/715.2, 716, 716.1
CPC .. A01K 1/0272; A01K 1/0281; A01K 1/0353;
A01K 1/00; A01K 1/02; A01K 1/0236;
A01K 1/0254; A01K 1/029; A01K 1/034;
A47K 3/125; A47K 3/127; B60N 2/00
See application file for complete search history.

| | | | | |
|--------------|---------|------------|-------|---------|
| D592,361 S * | 5/2009 | Jakubowski | | D30/118 |
| D629,164 S * | 12/2010 | Lamstein | | D30/118 |
| D699,900 S | 2/2014 | Popkin | | |
| D728,167 S * | 4/2015 | Renforth | | D30/109 |
| D755,445 S | 5/2016 | Iiams | | |
| D792,031 S | 7/2017 | Geldermann | | |
| D882,185 S * | 4/2020 | Stein | | D30/118 |
| D887,648 S | 6/2020 | Wolters | | |
| D894,497 S * | 8/2020 | Twining | | D30/118 |
| D926,390 S | 7/2021 | Roost | | |
| D927,794 S | 8/2021 | Yun | | |
| D930,266 S * | 9/2021 | Liu | | D30/118 |

* cited by examiner

Primary Examiner — Sheryl Lane

Assistant Examiner — Aula Soroush

(74) *Attorney, Agent, or Firm* — Rumit Ranjit Kanakia

(57) **CLAIM**

The ornamental design for a pet sunshade car seat, as shown and described.

DESCRIPTION

FIG. 1 is a front elevational view of a pet sunshade car seat showing my new design;

FIG. 2 is a rear elevational view thereof; and

FIG. 3 is a left elevational view thereof;

FIG. 4 is a right side view thereof;

FIG. 5 is a top side view thereof;

FIG. 6 is a bottom plan view thereof;

FIG. 7 is a perspective view of a pet sunshade car seat showing my new design; and,

FIG. 8 is another perspective view thereof.

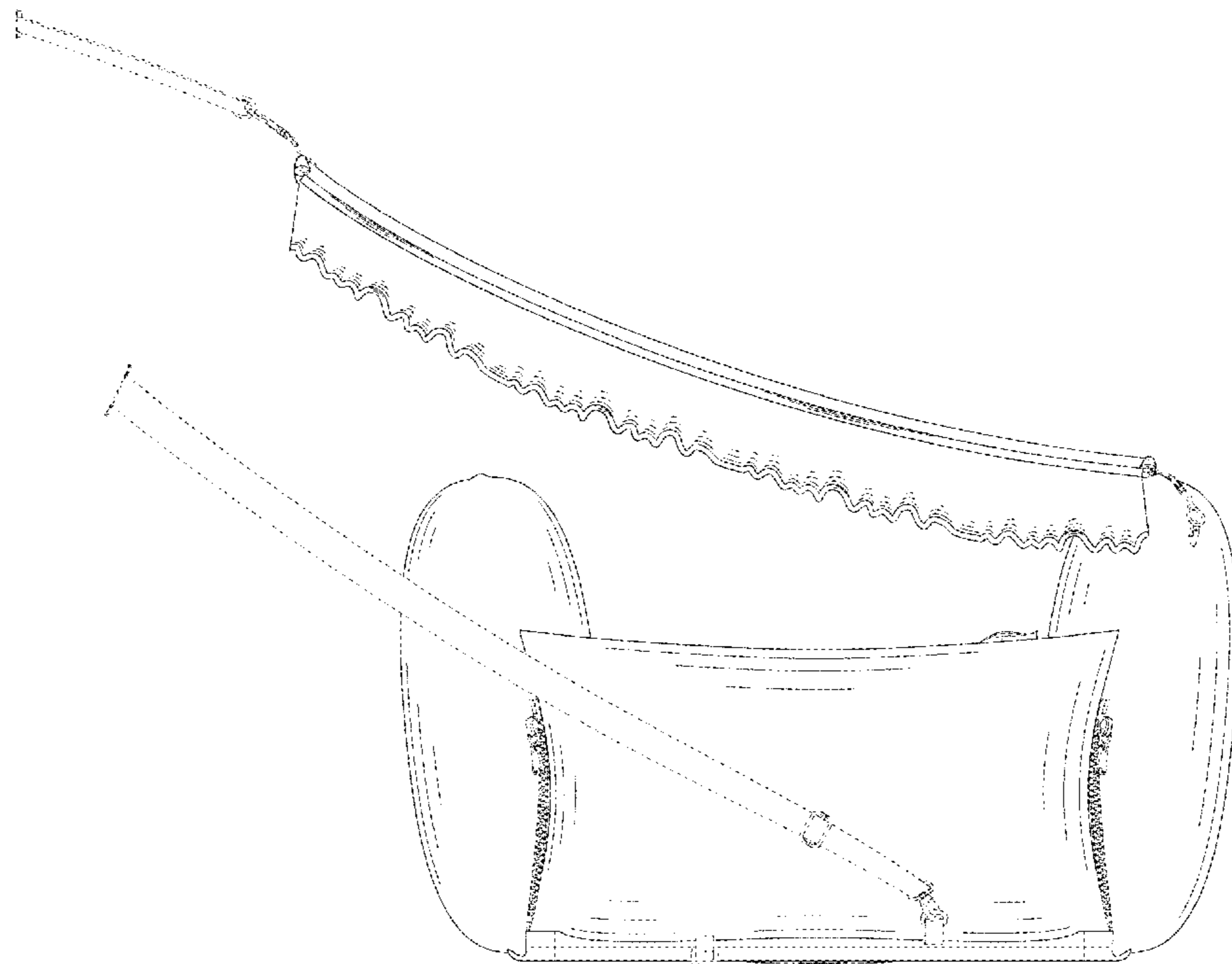
The broken lines in the figures are for the purposes of illustrating portions of the pet sunshade car seat, which form no part of the claimed design.

1 Claim, 8 Drawing Sheets

(56) **References Cited**

U.S. PATENT DOCUMENTS

| | | | | | |
|----------------|--------|-------------|-------|-------------|----------|
| 5,005,526 A * | 4/1991 | Parker | | A01K 1/0272 | 119/751 |
| D366,368 S * | 1/1996 | McCarthy | | 5/655 | |
| 5,551,373 A * | 9/1996 | O'Donnell | | A01K 1/0272 | 119/28.5 |
| D398,802 S * | 9/1998 | Quinn | | D6/333 | |
| D505,754 S * | 5/2005 | Cohen-Fyffe | | D30/118 | |
| 7,204,205 B2 * | 4/2007 | O'Donnell | | A01K 1/0272 | 119/28.5 |
| 7,383,789 B2 * | 6/2008 | Wilkes | | A01K 1/0272 | 119/28.5 |
| D591,005 S * | 4/2009 | Bennett | | D30/118 | |



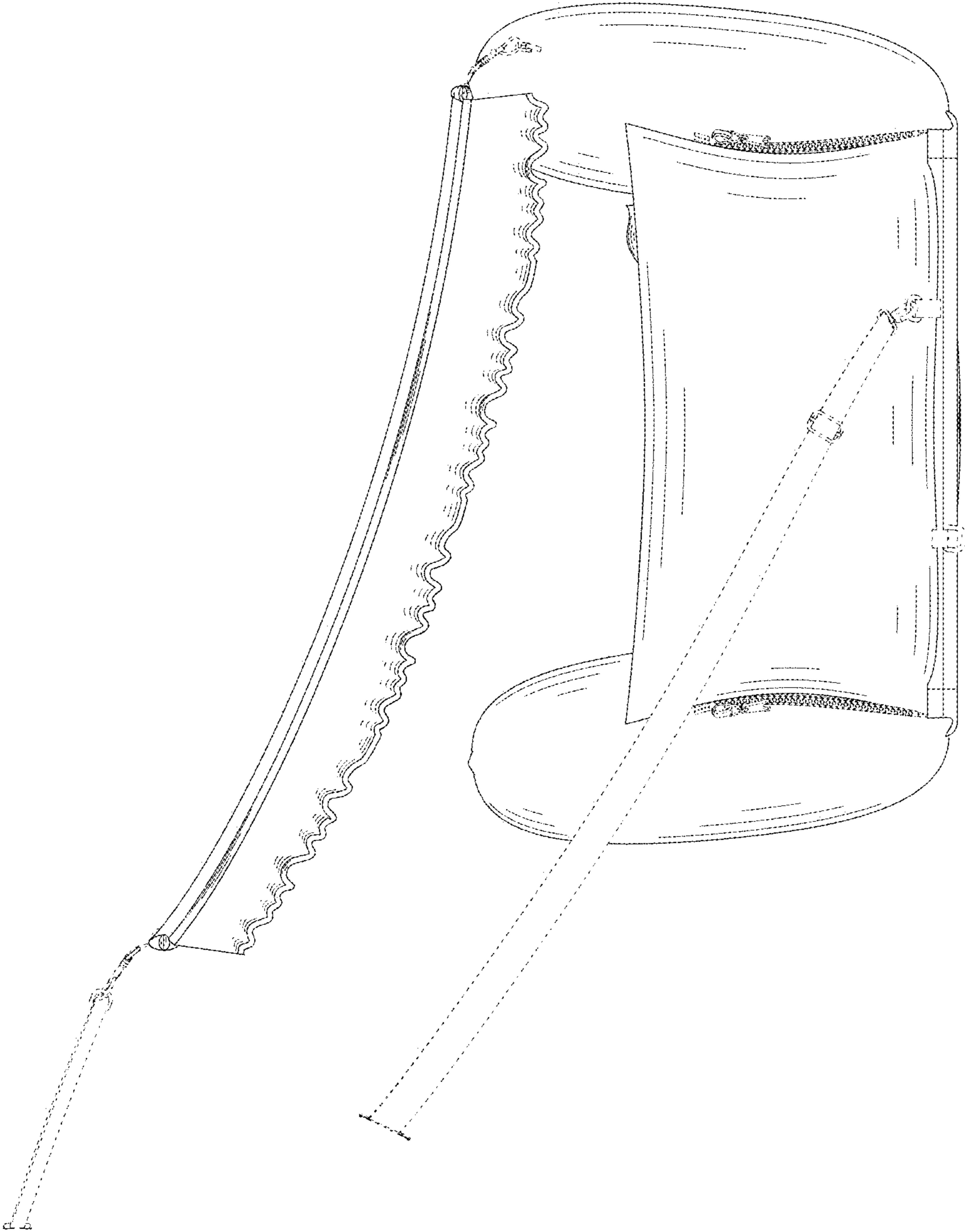


FIG. 1

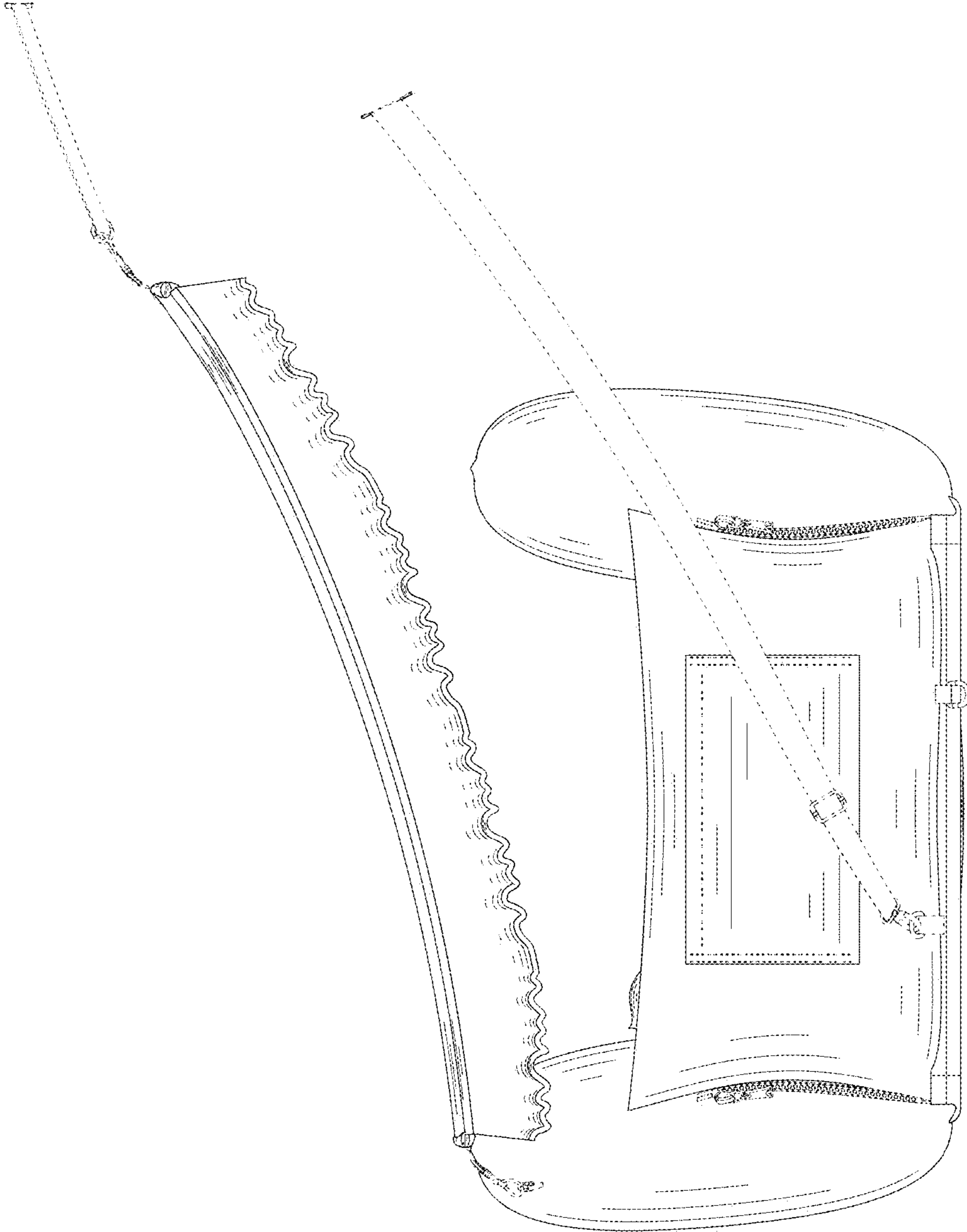


FIG. 2

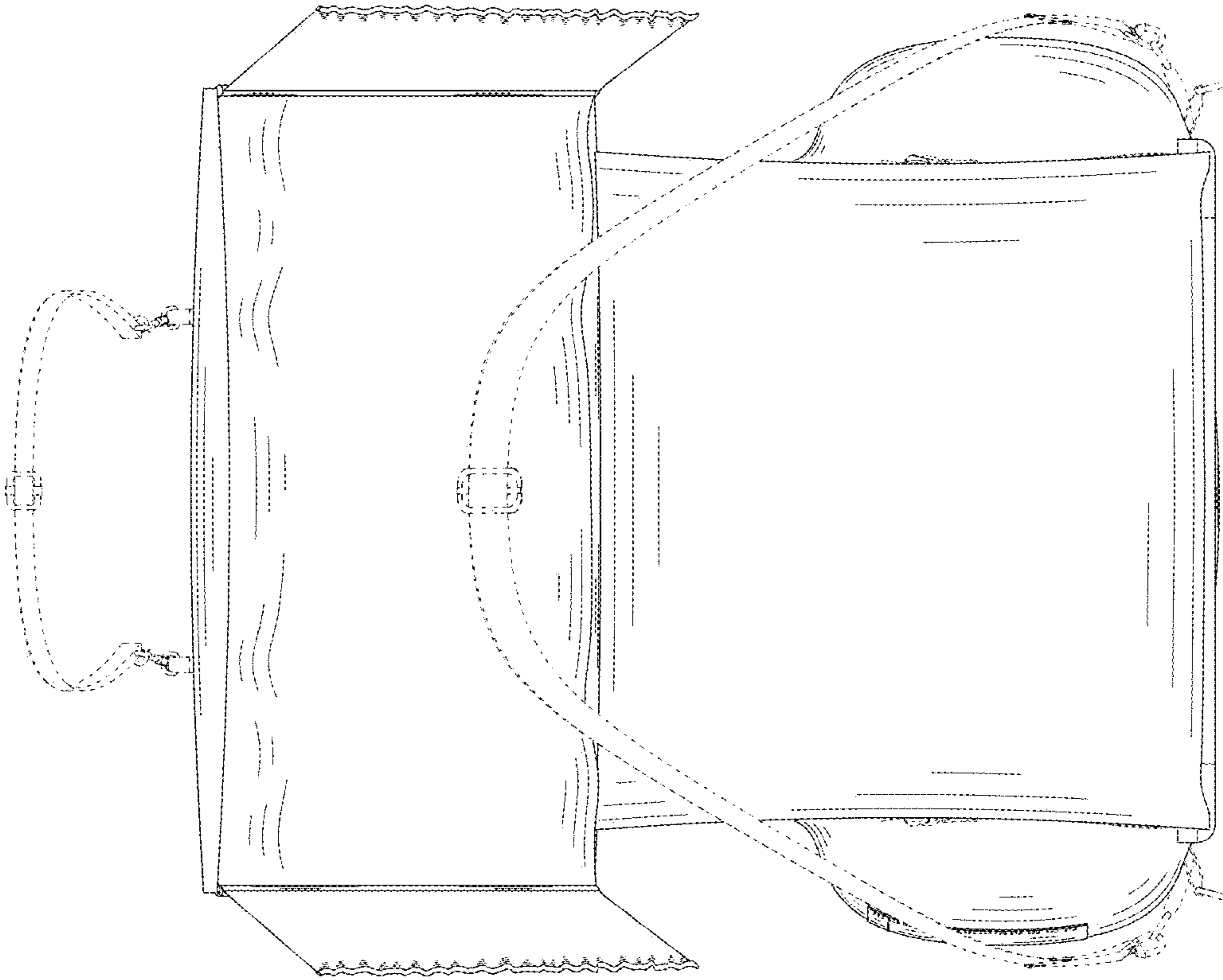


FIG. 3

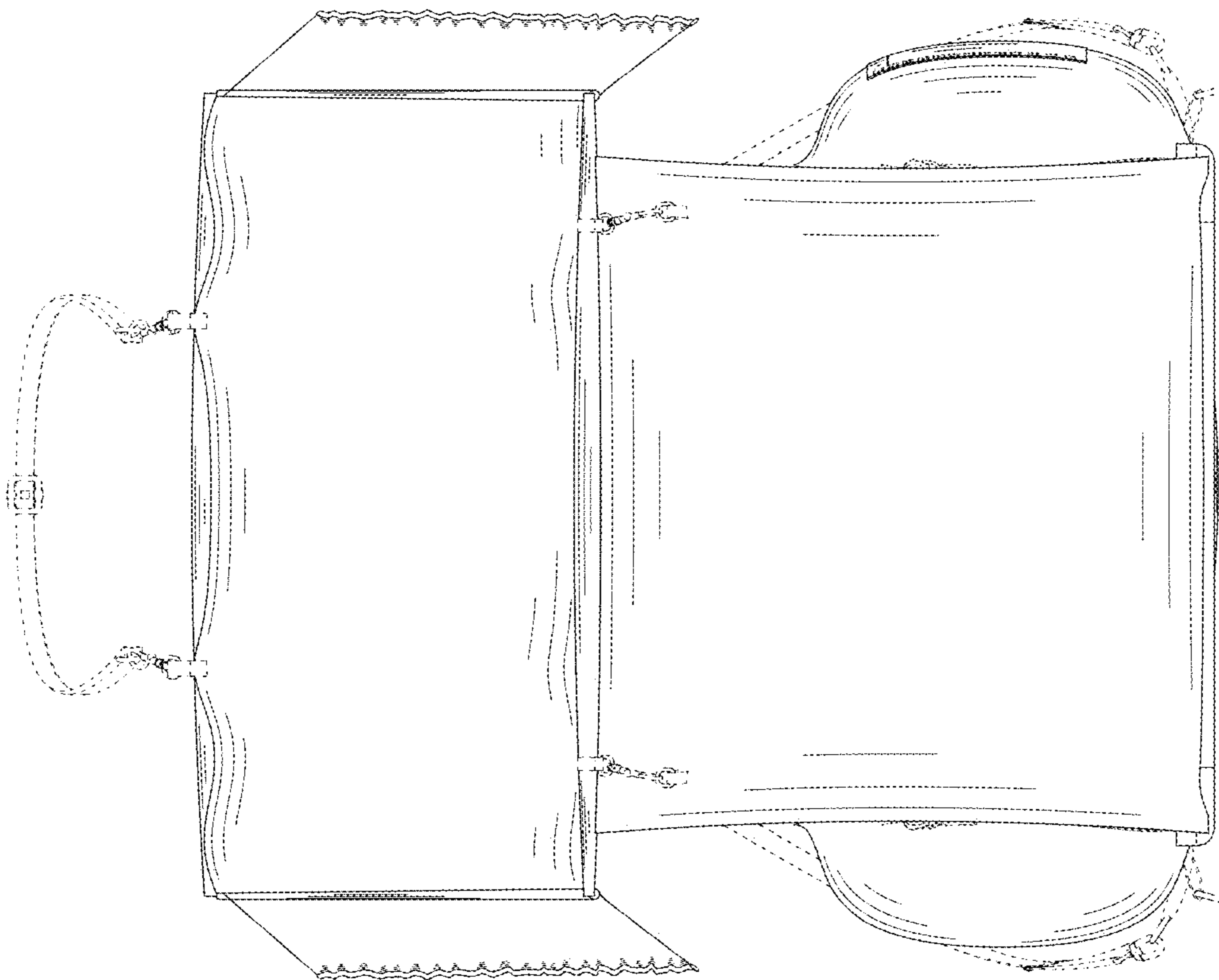


FIG. 4

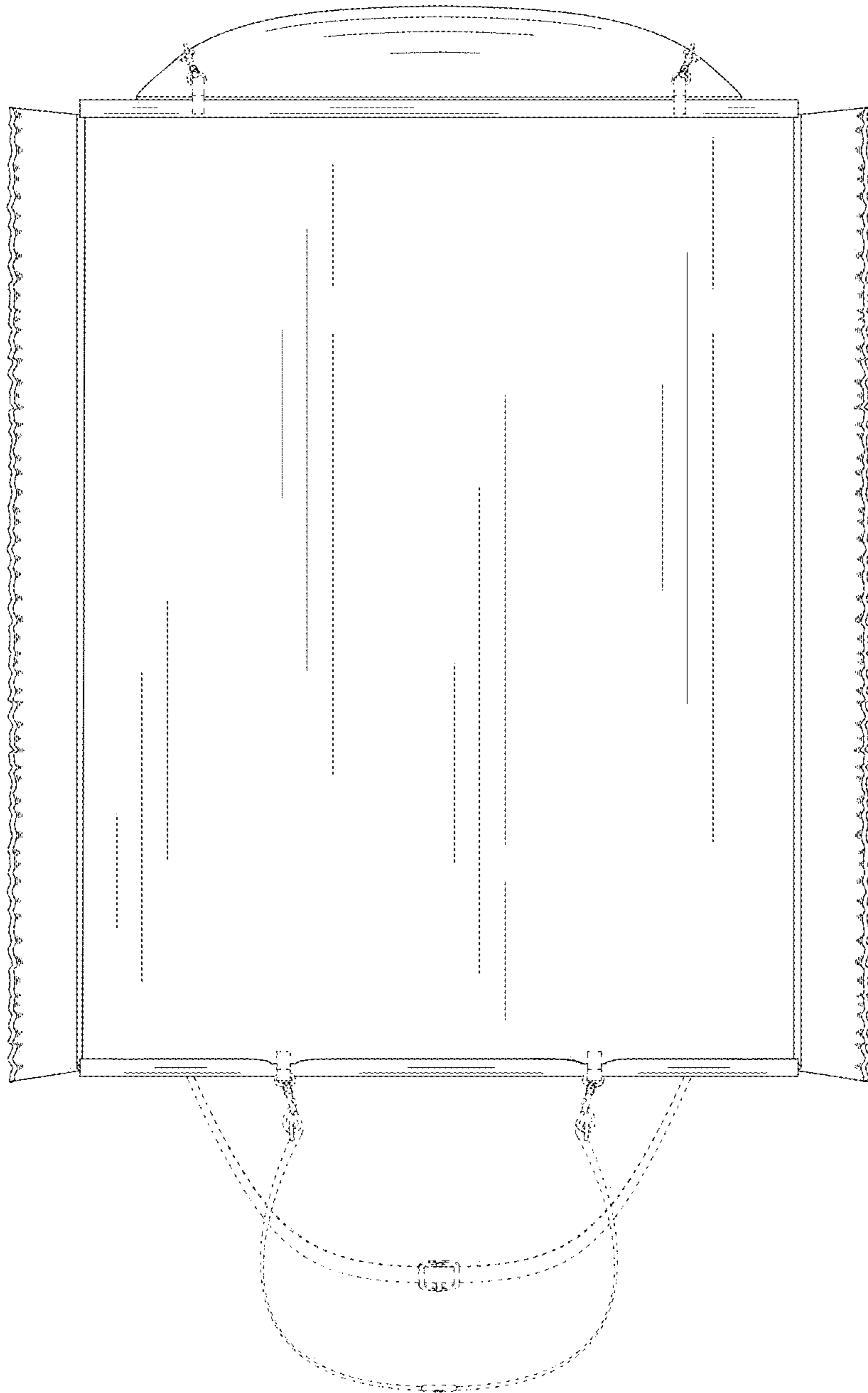


FIG. 5

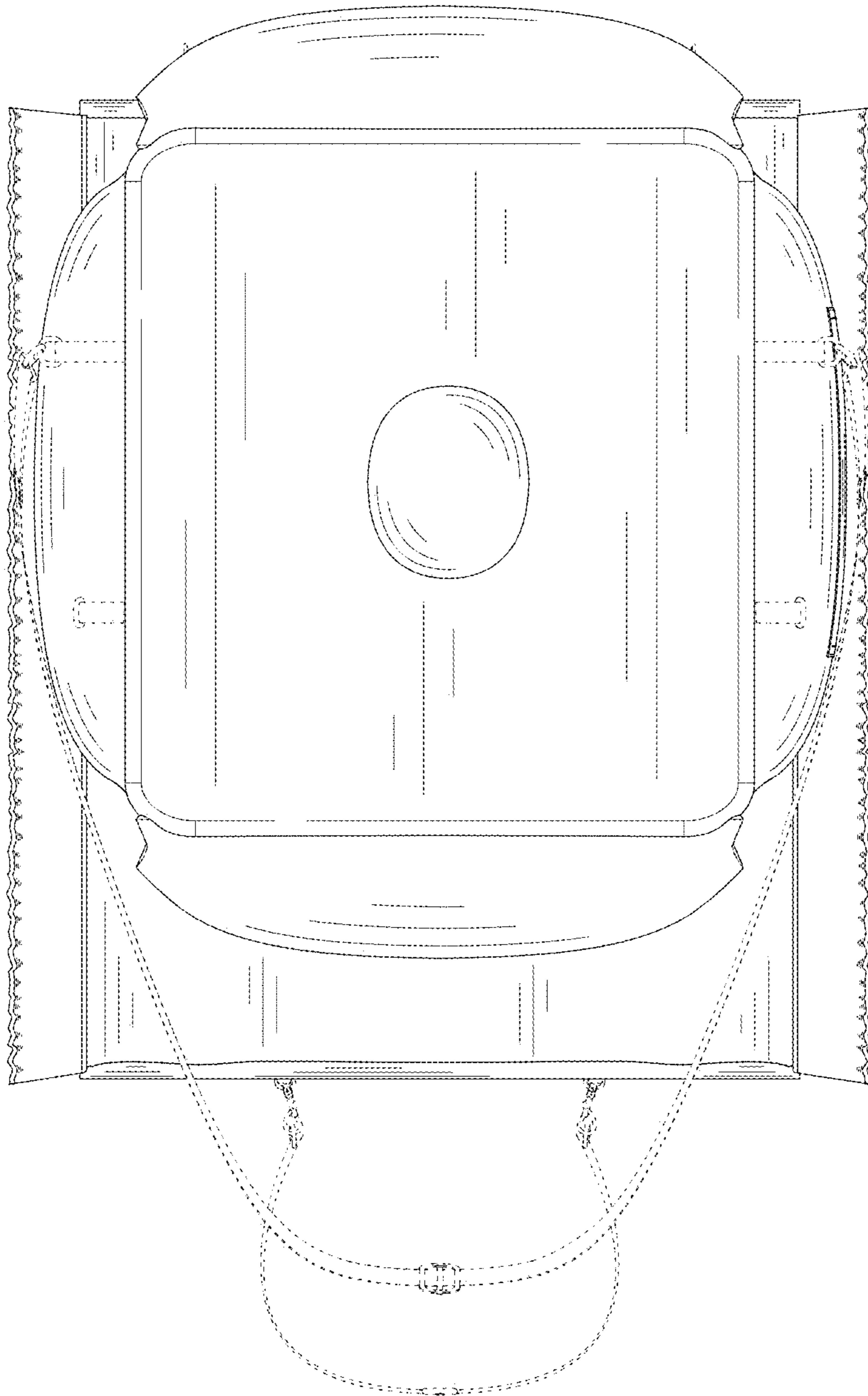


FIG. 6

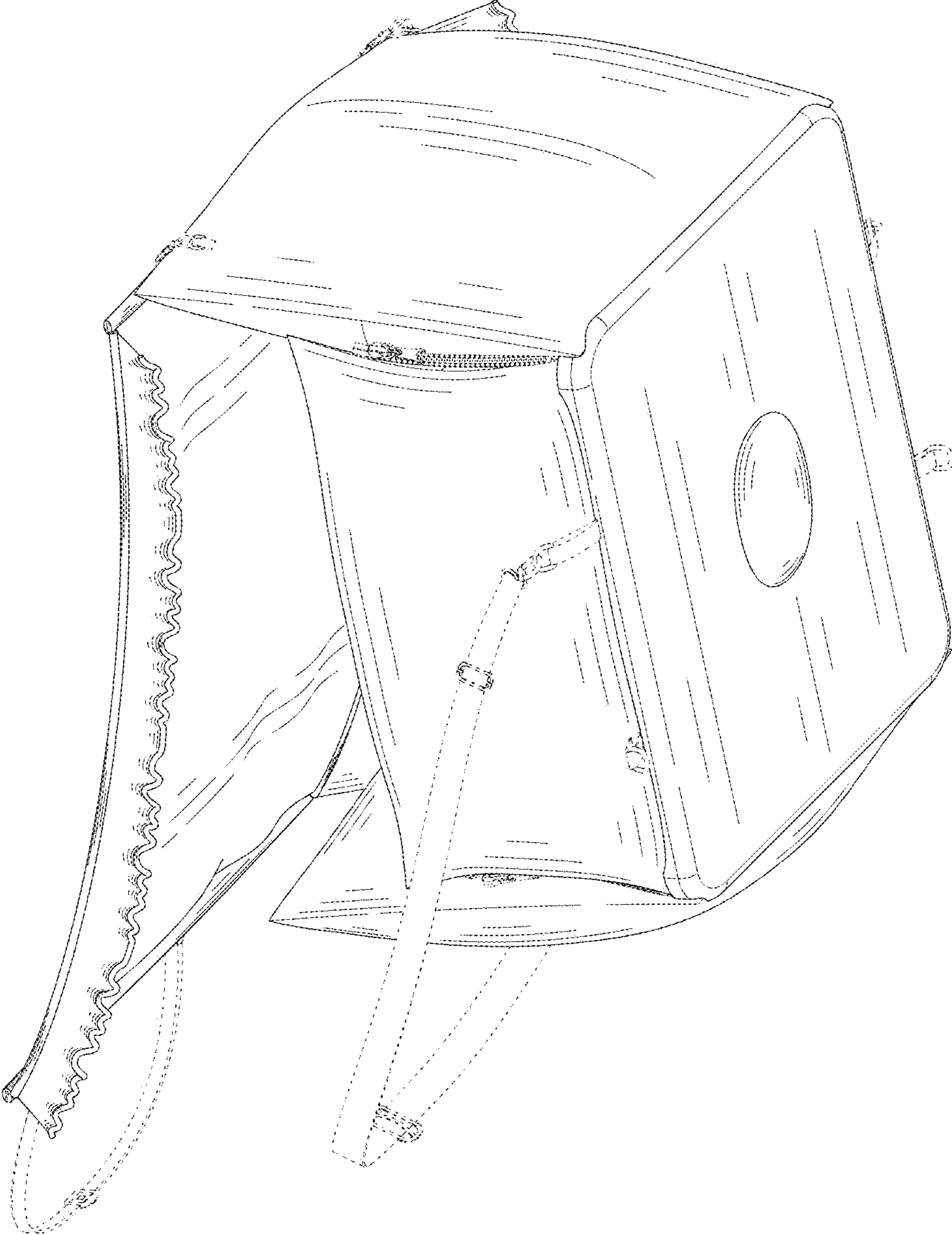


FIG. 7

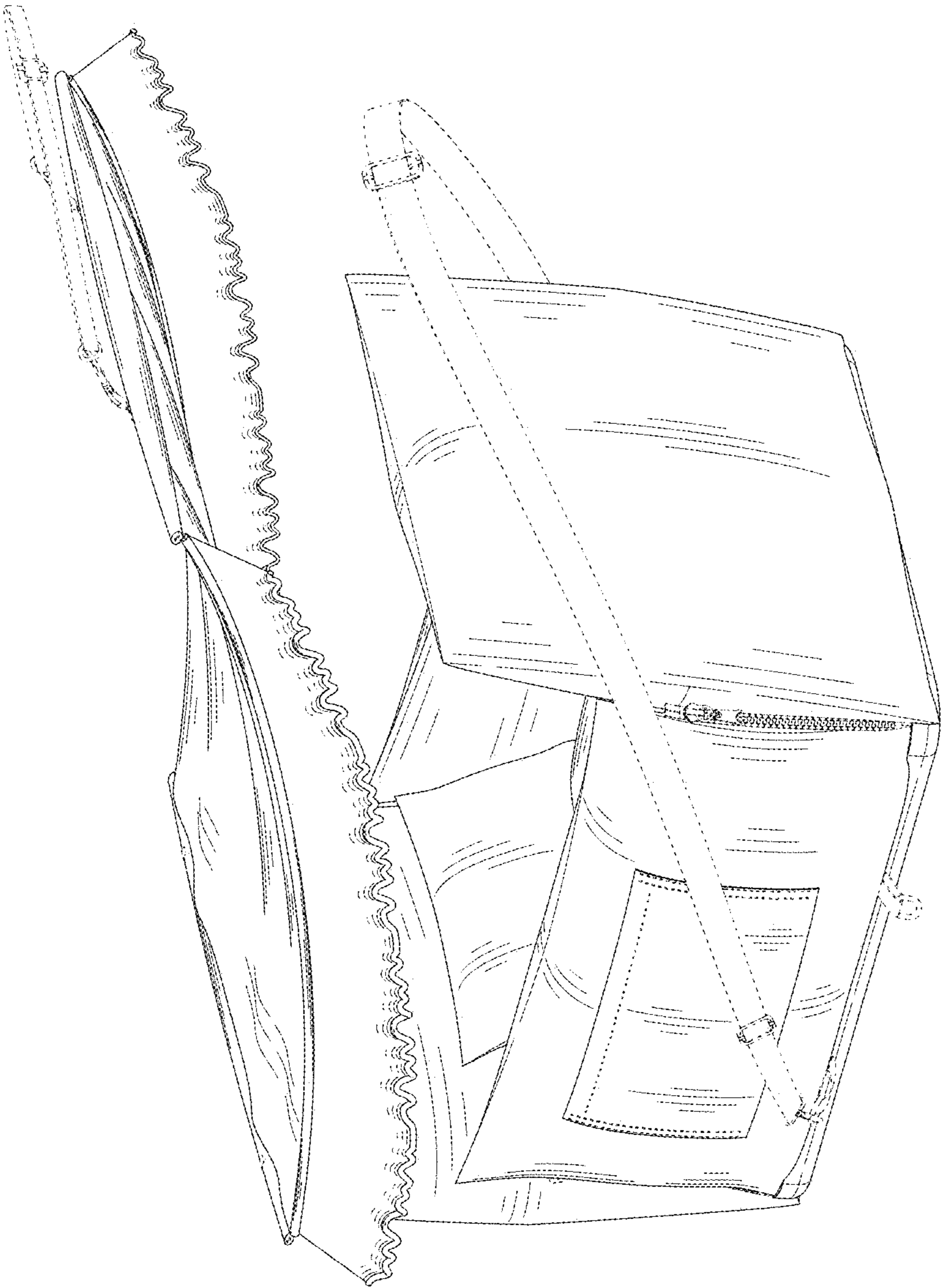


FIG. 8