



US00D984743S

(12) **United States Design Patent** (10) **Patent No.:** **US D984,743 S**
Brady et al. (45) **Date of Patent:** **** Apr. 25, 2023**

(54) **HAIR IRON**

(71) Applicant: **Jemella Group Limited**, Leeds (GB)
(72) Inventors: **Daniel Brady**, Surrey (GB); **Timothy Hone**, Hertfordshire (GB)
(73) Assignee: **JEMELLA GROUP LIMITED**, Leeds (GB)
(**) Term: **15 Years**
(21) Appl. No.: **29/763,386**
(22) Filed: **Dec. 22, 2020**
(30) **Foreign Application Priority Data**

Jun. 26, 2020 (EM) 008023360
(51) **LOC (14) Cl.** **35-02**
(52) **U.S. Cl.**
USPC **D28/35**
(58) **Field of Classification Search**
USPC D28/10, 35
CPC . A45D 2/00; A45D 2/001; A45D 6/00; A45D 7/00; A45D 7/02; A45D 7/04; A45D 7/06; A45D 7/08; A45D 2001/004
See application file for complete search history.

(56) **References Cited**

U.S. PATENT DOCUMENTS

D537,983	S	*	3/2007	Shin	D28/35
D569,550	S	*	5/2008	Leung	D28/35
D581,591	S	*	11/2008	Hein	D28/35
D596,795	S	*	7/2009	Keong	D28/35
D627,926	S	*	11/2010	Nenadich	D28/35
D632,430	S	*	2/2011	Kim	D28/35
9,049,913	B2	*	6/2015	Chan	A45D 1/04
D836,837	S	*	12/2018	Yan	D28/35
D912,321	S	*	3/2021	Huang	D28/35
D919,177	S	*	5/2021	Huang	D28/35
D921,983	S	*	6/2021	Huang	D28/35
2012/0272993	A1	*	11/2012	Fereyre	A45D 6/00 132/221

(Continued)

OTHER PUBLICATIONS

GHD Max Styler 2" Wide Plate Flat Iron, reviewed on Feb. 17, 2021, retrieved from: <https://www.ghdhair.com/us/flat-irons/ghd-max-flat-iron-p-535>.
Primary Examiner — Alison M Ofstun
(74) *Attorney, Agent, or Firm* — Stephen J. Weyer, Esq.; Stites & Harbison, PLLC

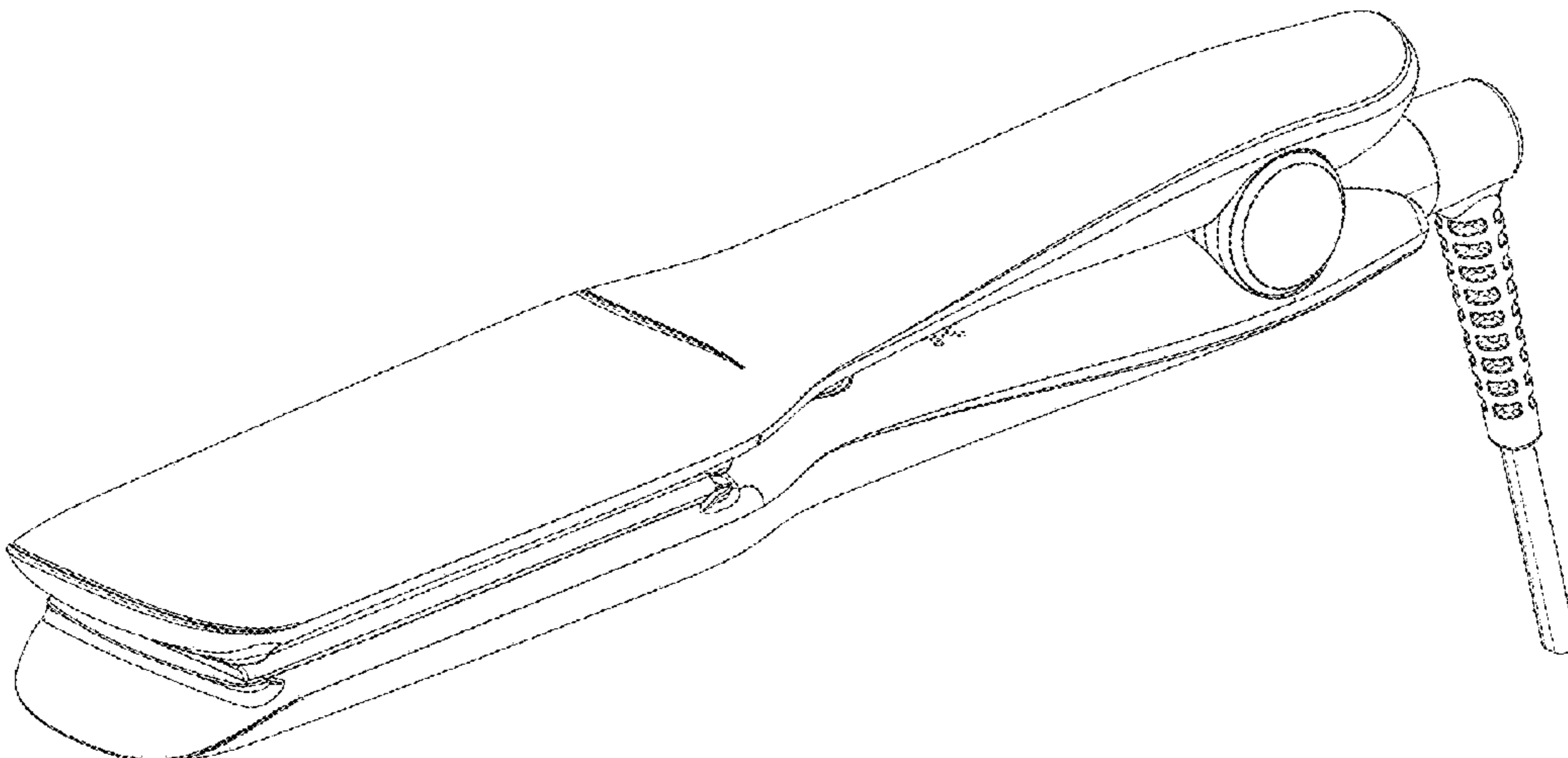
(57) **CLAIM**

The ornamental design for a hair iron, as shown and described.

DESCRIPTION

FIG. 1 is a front, left side and top side perspective view of a hair iron of our new design, in its closed configuration. FIG. 2 is a front, right side and bottom side perspective view thereof. FIG. 3 is a front view thereof. FIG. 4 is a rear view thereof. FIG. 5 is a left side elevation view thereof. FIG. 6 is a right side elevation view thereof. FIG. 7 is a top plan view thereof. FIG. 8 is a bottom plan view thereof. FIG. 9 is a front, left side and top side perspective view of the hair iron of our design, in its opened configuration. FIG. 10 is a front, right side and bottom side perspective view of a hair iron, of our new design, shown in an open configuration. FIG. 11 is a front elevation view thereof. FIG. 12 is a rear elevation view thereof. FIG. 13 is a left side elevation view thereof. FIG. 14 is a right side elevation view thereof. FIG. 15 is a top plan view thereof; and, FIG. 16 is a bottom plan view thereof.

1 Claim, 16 Drawing Sheets



(56)

References Cited

U.S. PATENT DOCUMENTS

2022/0160096 A1* 5/2022 Harrison A45D 1/04

* cited by examiner

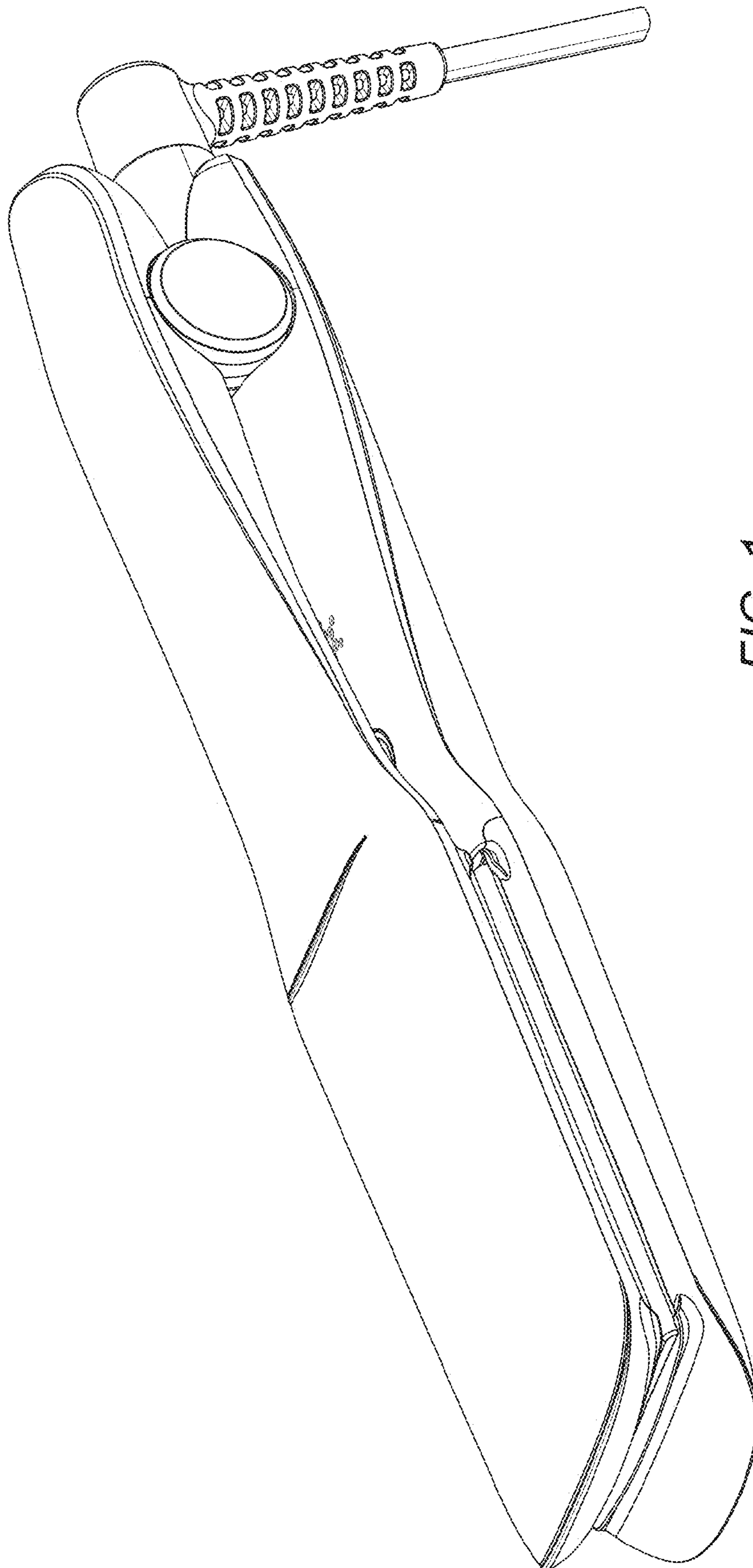


FIG. 1

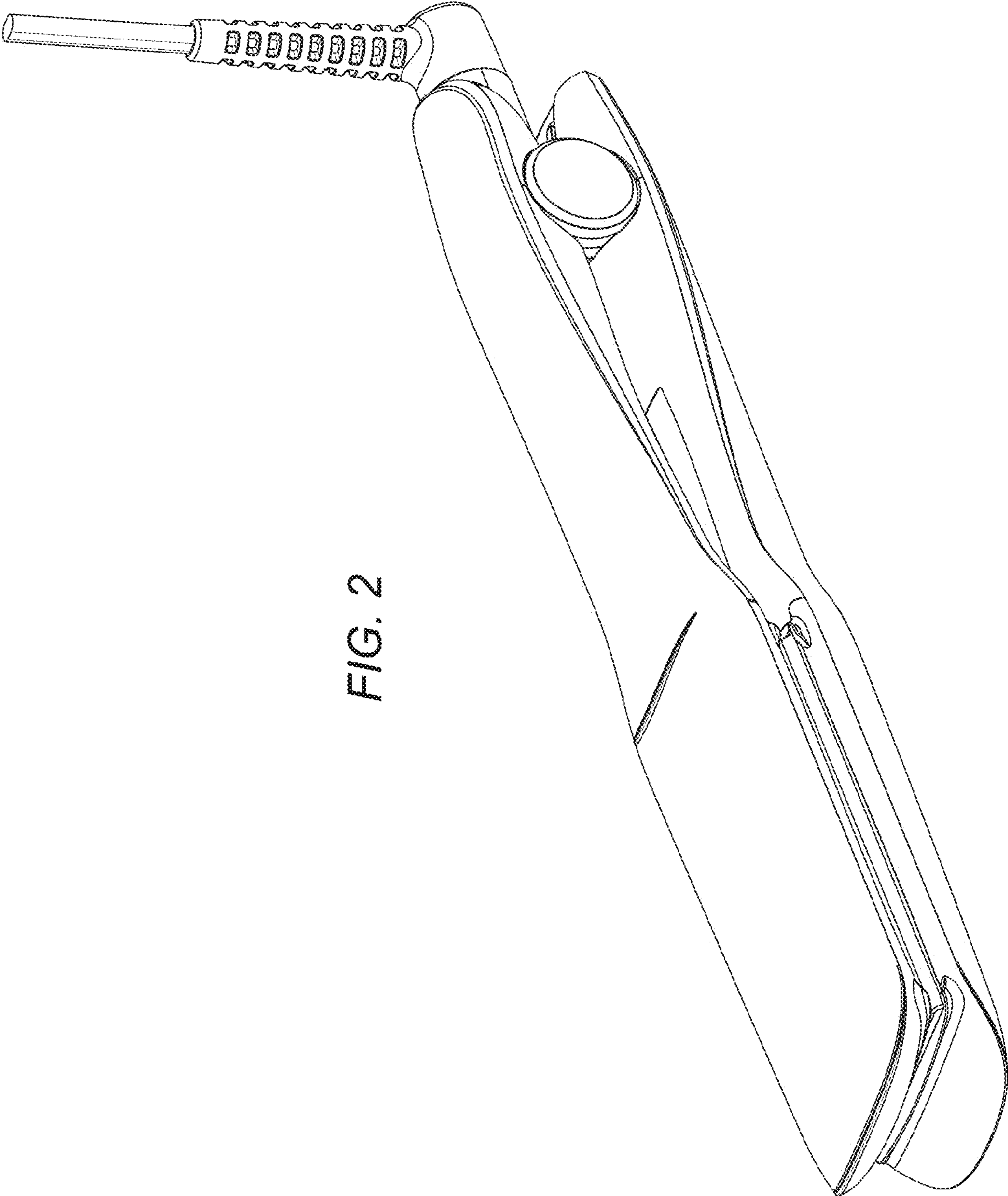


FIG. 2

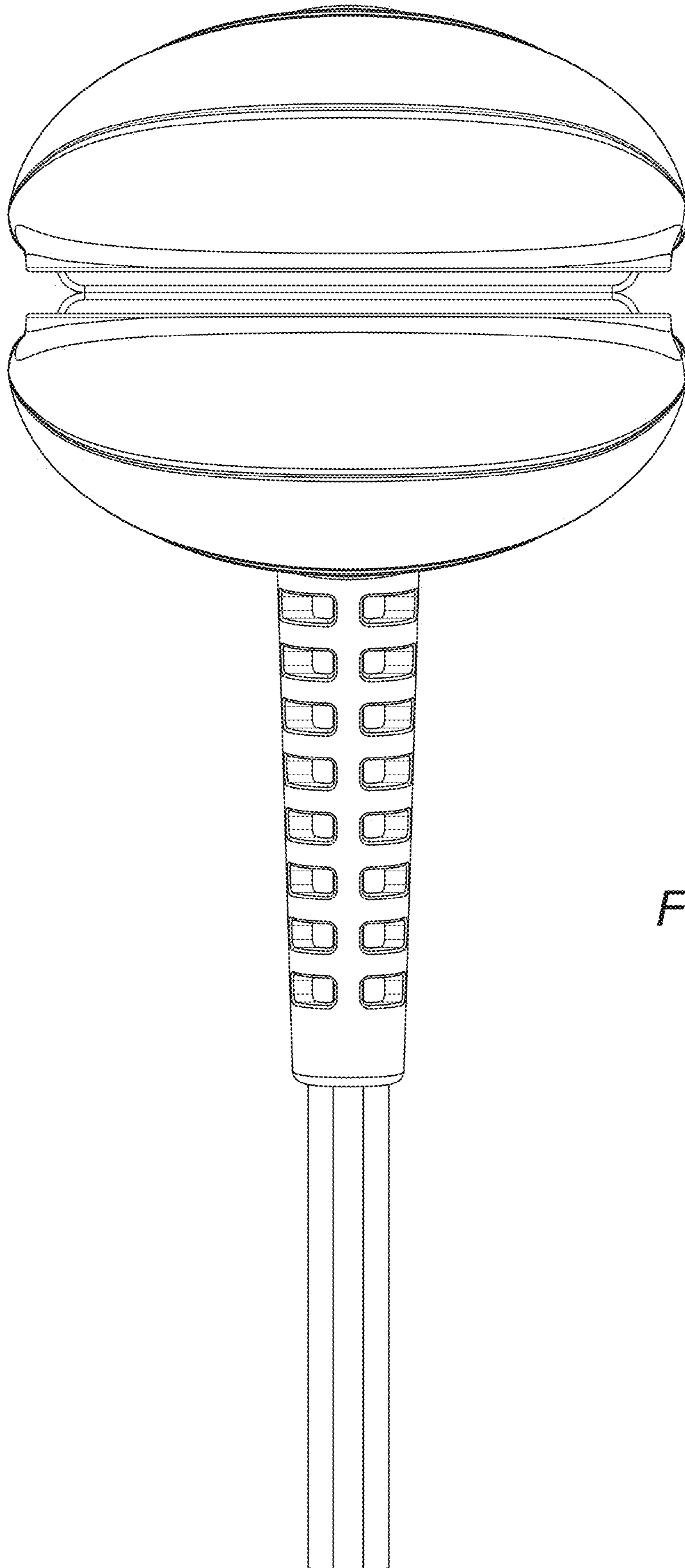


FIG. 3

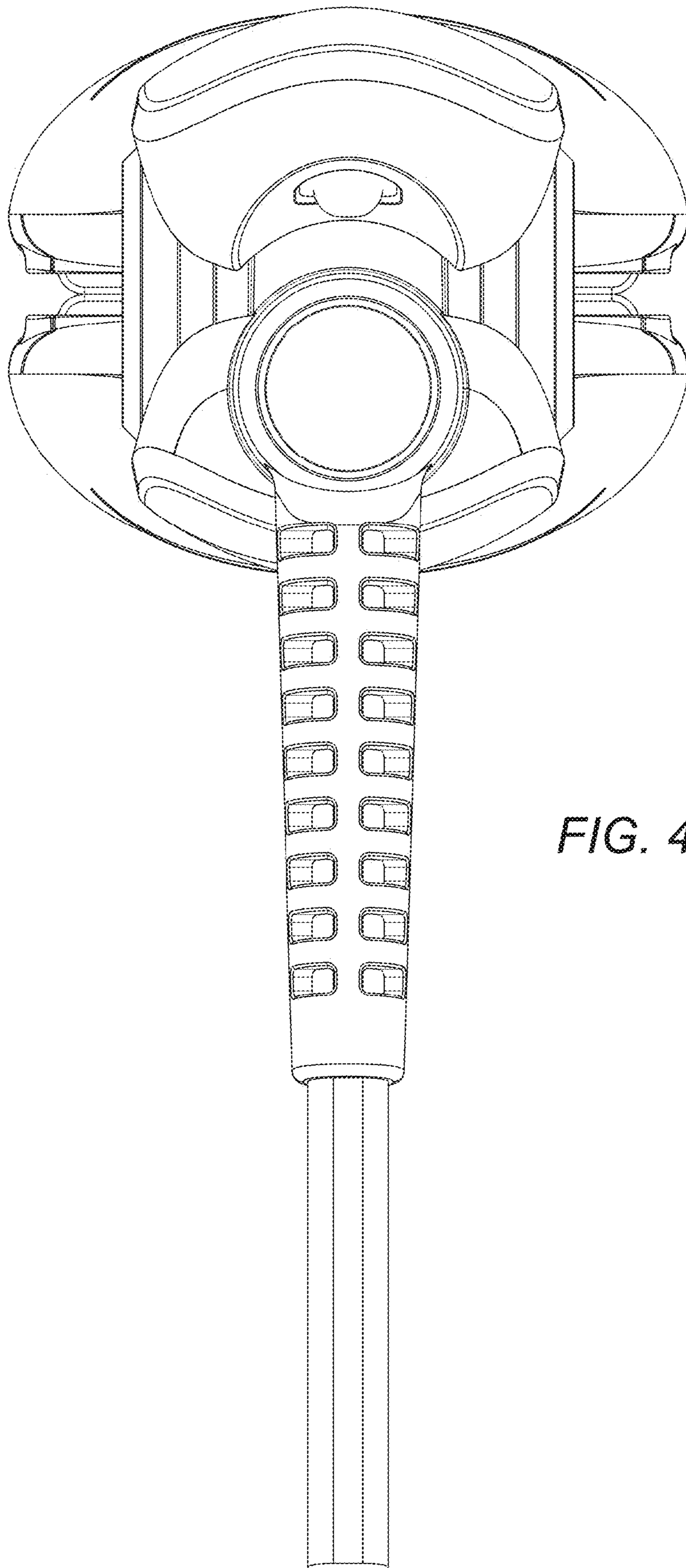


FIG. 4

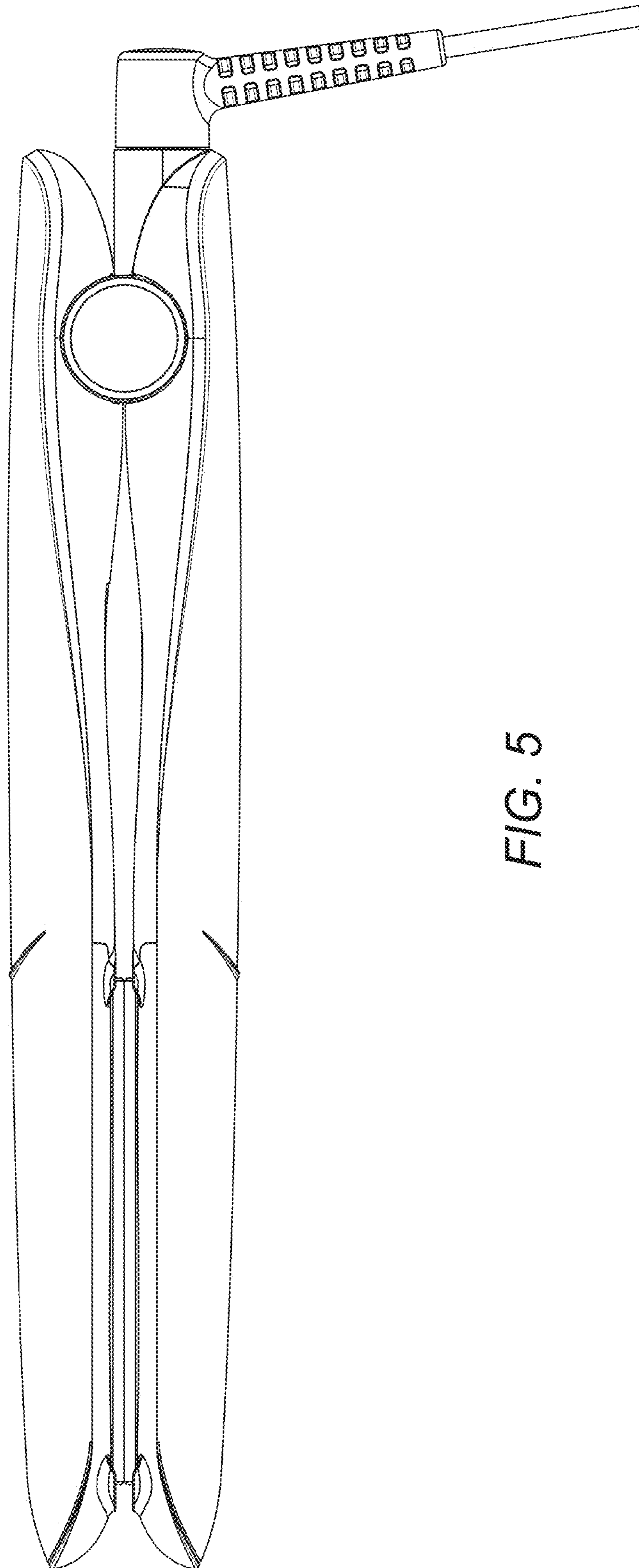


FIG. 5

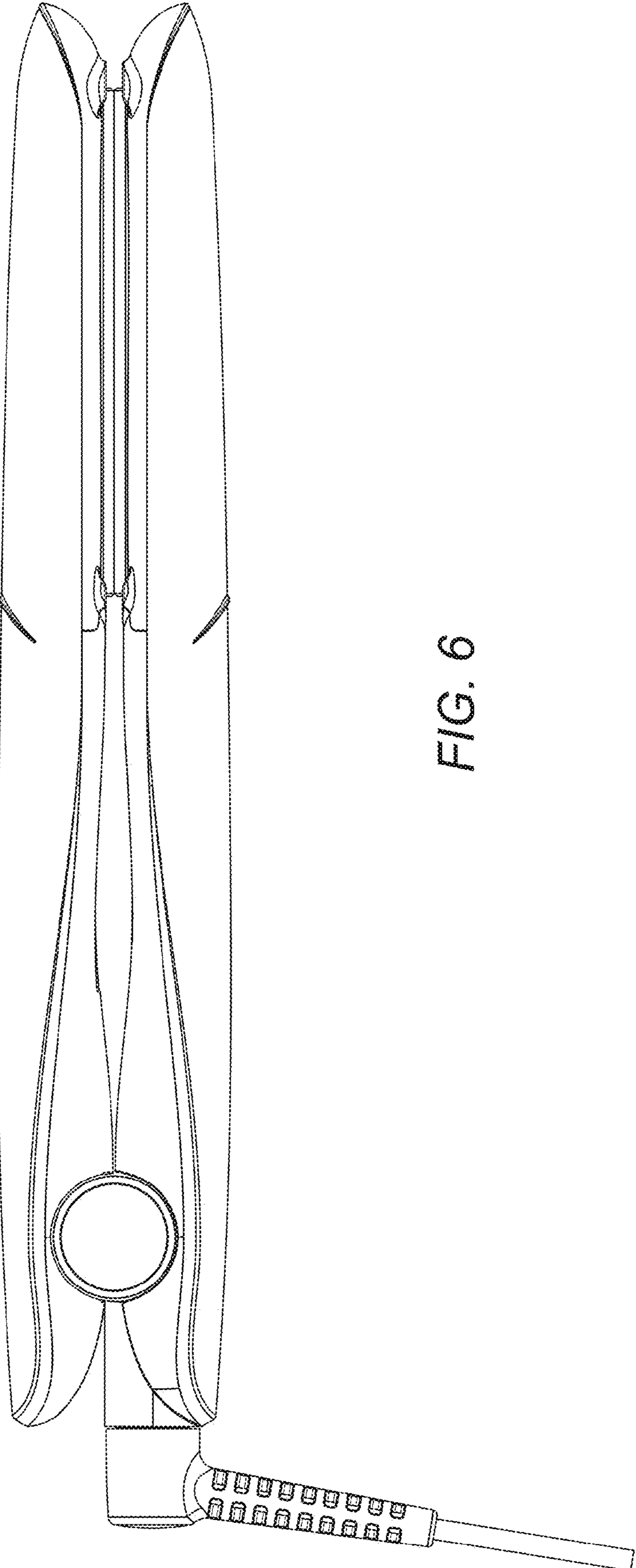


FIG. 6

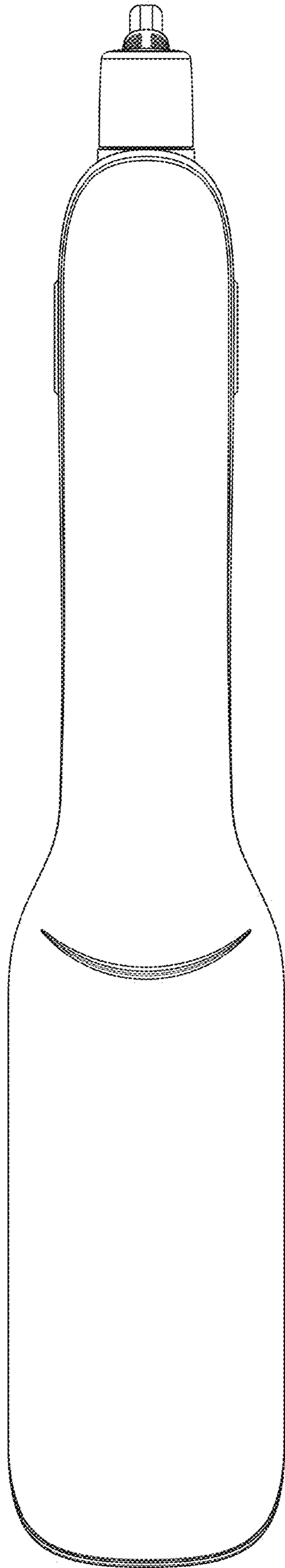


FIG. 7

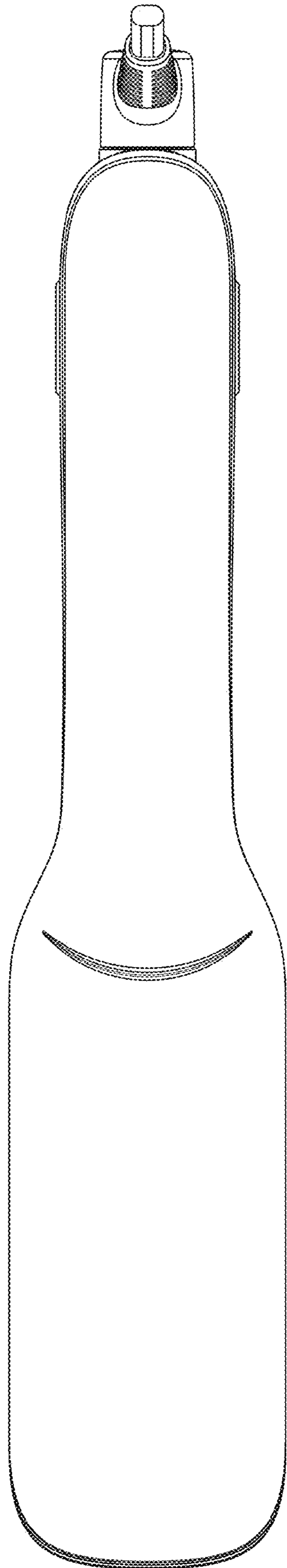


FIG. 8

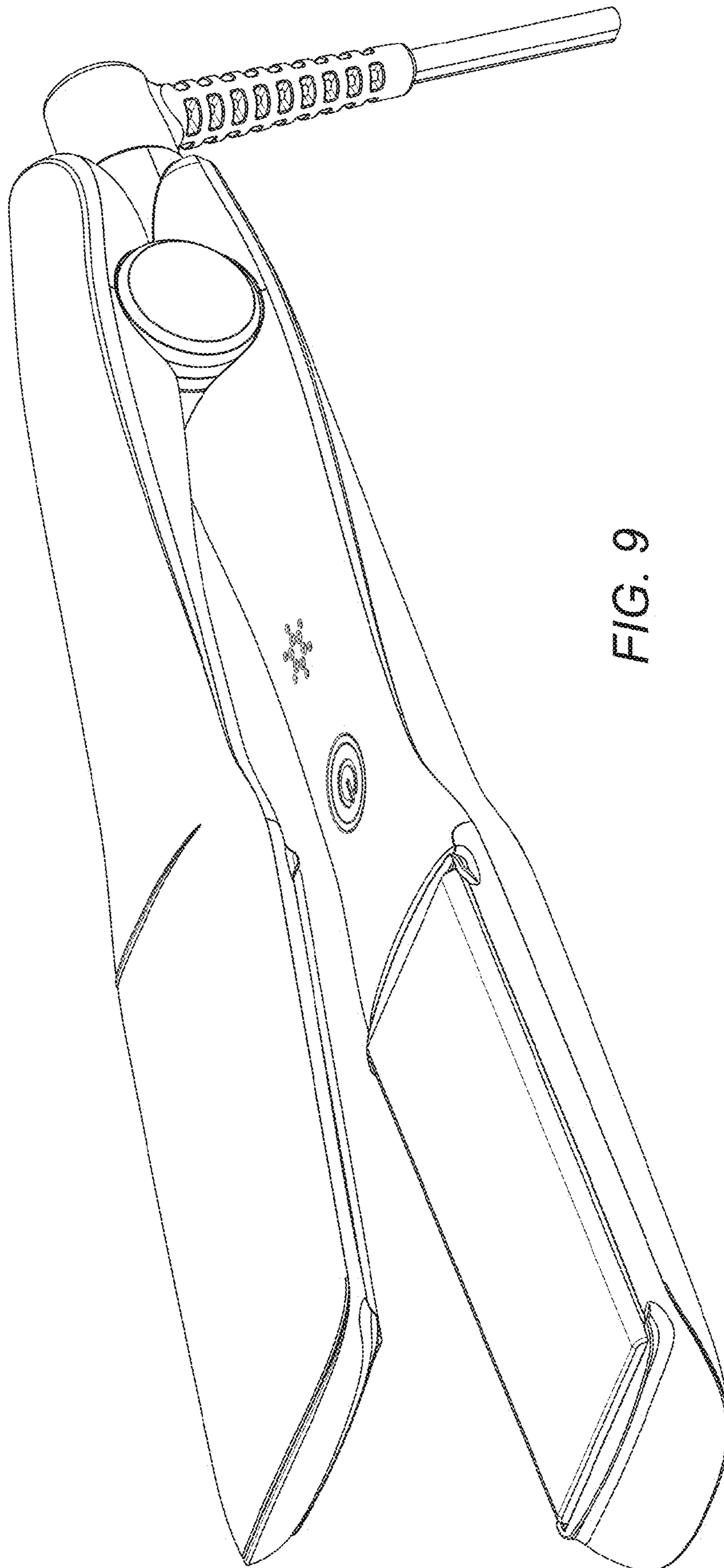


FIG. 9

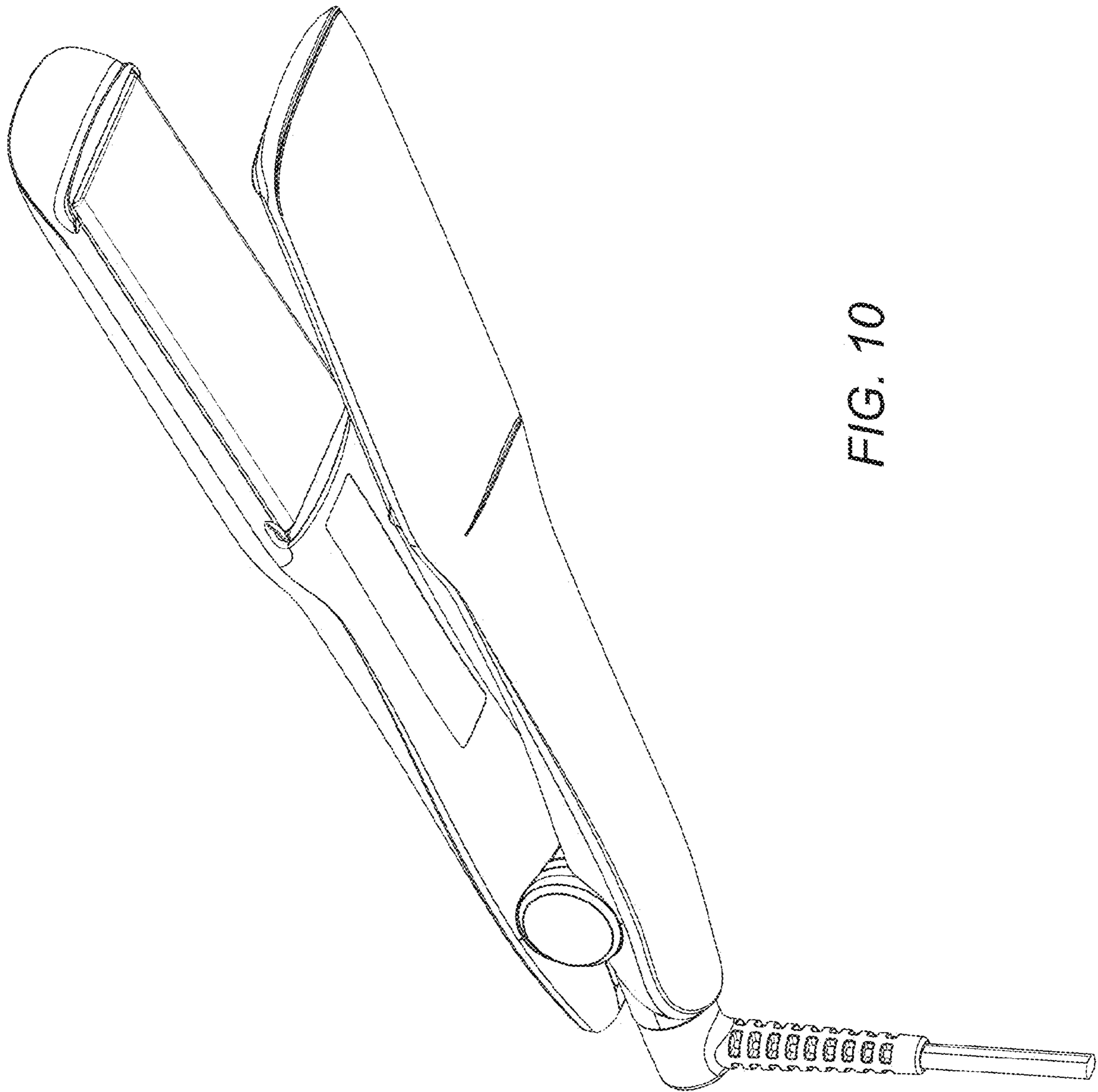


FIG. 10

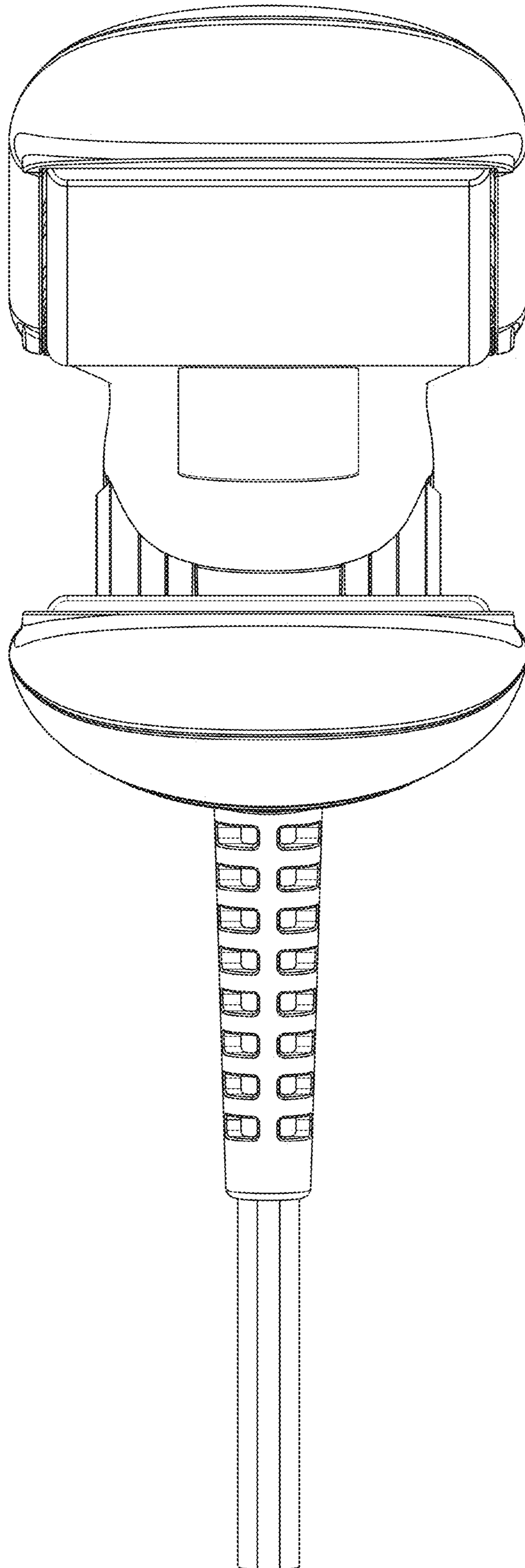


FIG. 11

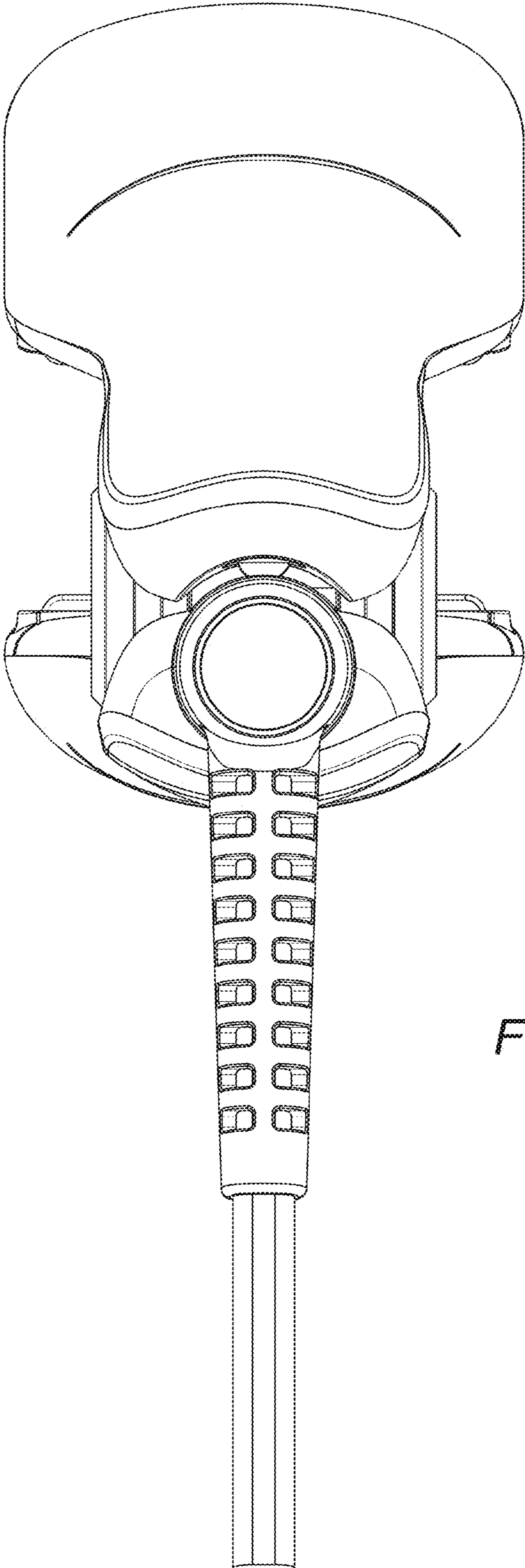


FIG. 12

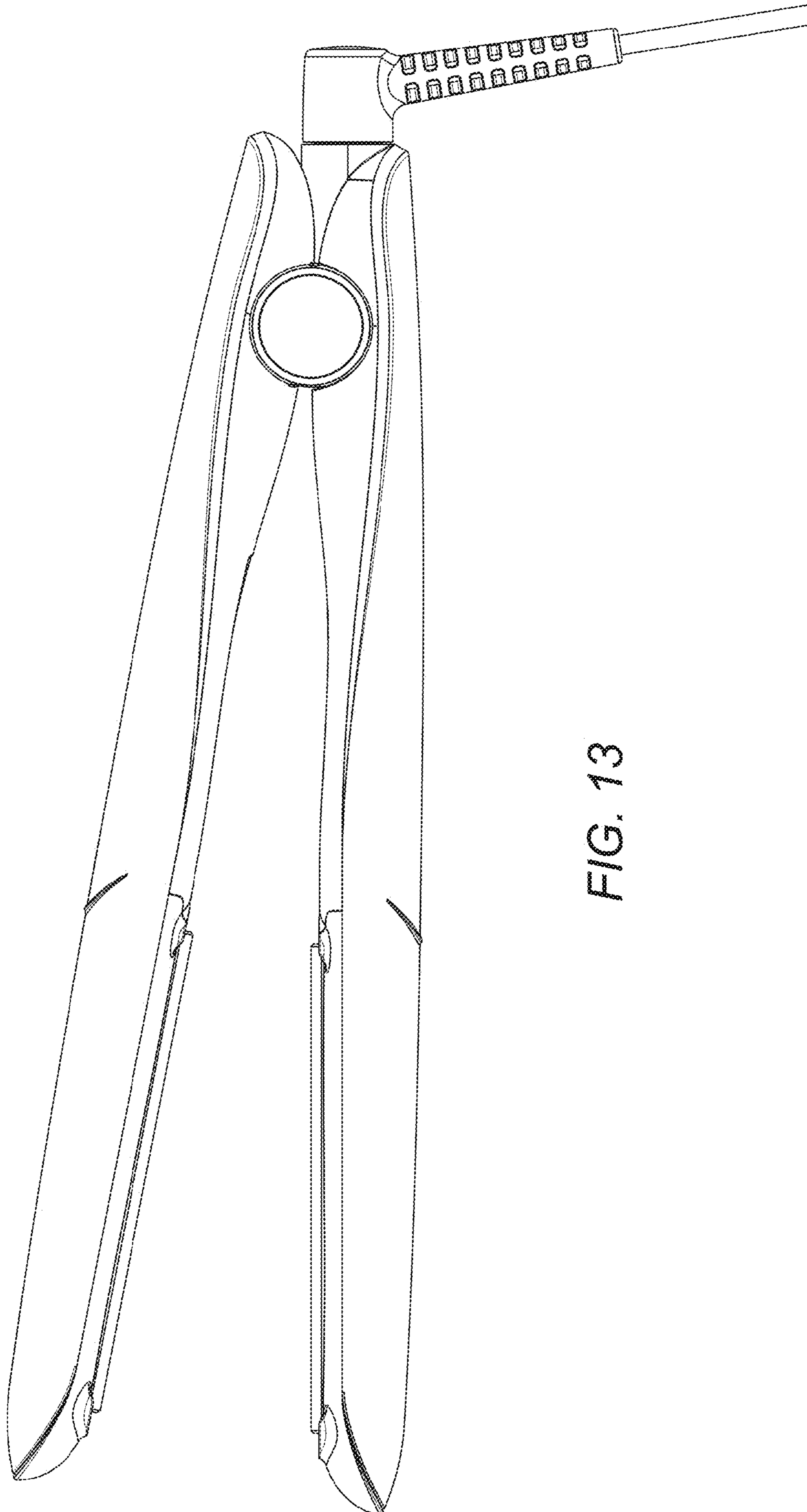


FIG. 13

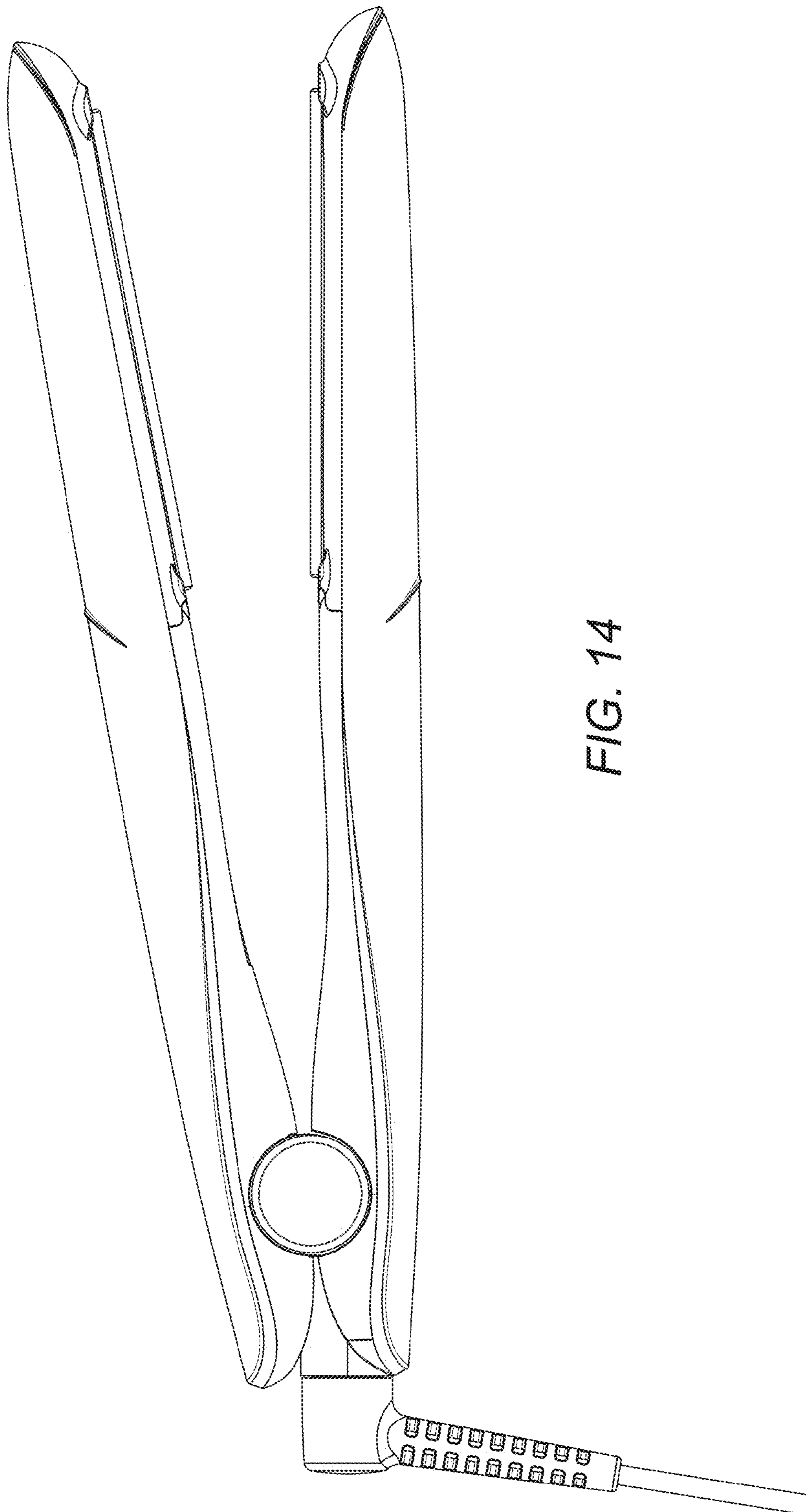


FIG. 14

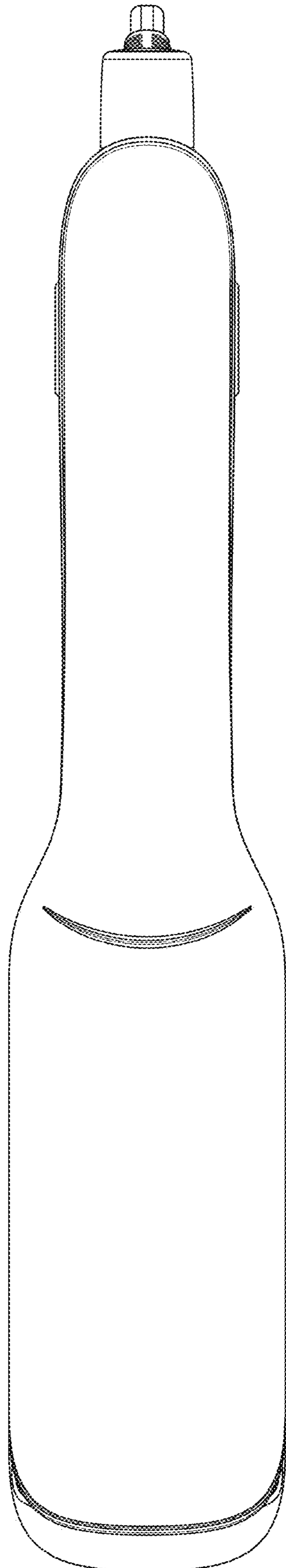


FIG. 15

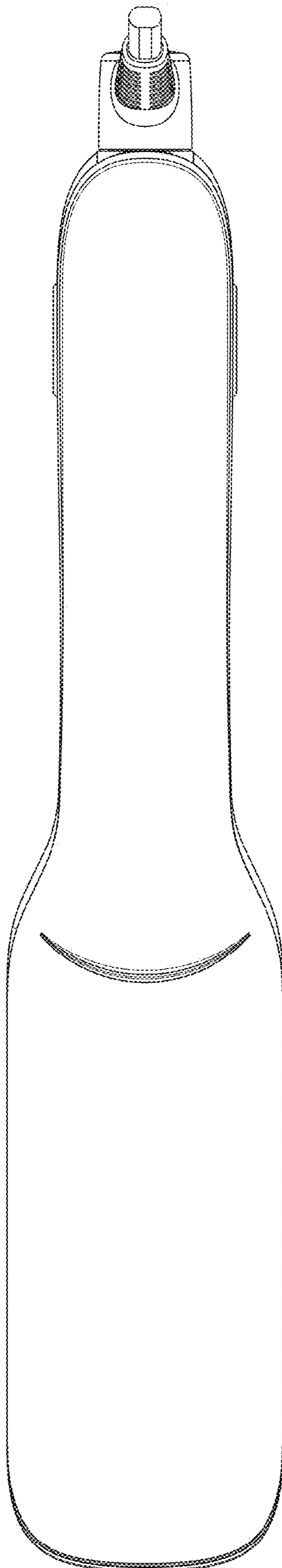


FIG. 16