



US00D984741S

(12) **United States Design Patent** (10) **Patent No.:** **US D984,741 S**
Bruny (45) **Date of Patent:** **** Apr. 25, 2023**

(54) **HAIR COMB** 2015/0265025 A1* 9/2015 Alsalameh A45D 24/22
132/113
(71) Applicant: **Elisee Bruny**, Brooklyn, NY (US) 2021/0345752 A1* 11/2021 Duffy A45D 24/02
2021/0386176 A1* 12/2021 Davis A45D 24/12
(72) Inventor: **Elisee Bruny**, Brooklyn, NY (US) 2022/0346519 A1* 11/2022 Perdue A45D 24/22
(Continued)

(**) Term: **15 Years**

FOREIGN PATENT DOCUMENTS

(21) Appl. No.: **29/784,123**

EP 1002477 5/2000

(22) Filed: **May 18, 2021**

OTHER PUBLICATIONS

(51) **LOC (14) Cl.** **28-03**

(52) **U.S. Cl.**
USPC **D28/30**

(58) **Field of Classification Search**
USPC D4/114, 130, 132, 134, 199; D28/10, 21,
D28/30, 31, 199
CPC A46B 2200/00; A46B 2200/10; A46B
2200/1046; A01K 13/00; A01K 13/002;
A01K 13/003; A45D 24/00; A45D 24/02;
A45D 24/22; A45D 2200/1036
See application file for complete search history.

FRColor 3pcs Hair Dye Bottle Root Comb Applicator, earliest review Oct. 4, 2022 [online], [retrieved Dec. 6, 2022]. Retrieved from internet, <https://www.amazon.com/dp/B08XBMX3QM/> (Year: 2022).*

(Continued)

Primary Examiner — Alison M Ofstun
Assistant Examiner — Evin Franklin George Ershock

(56) **References Cited**

(57) **CLAIM**

U.S. PATENT DOCUMENTS

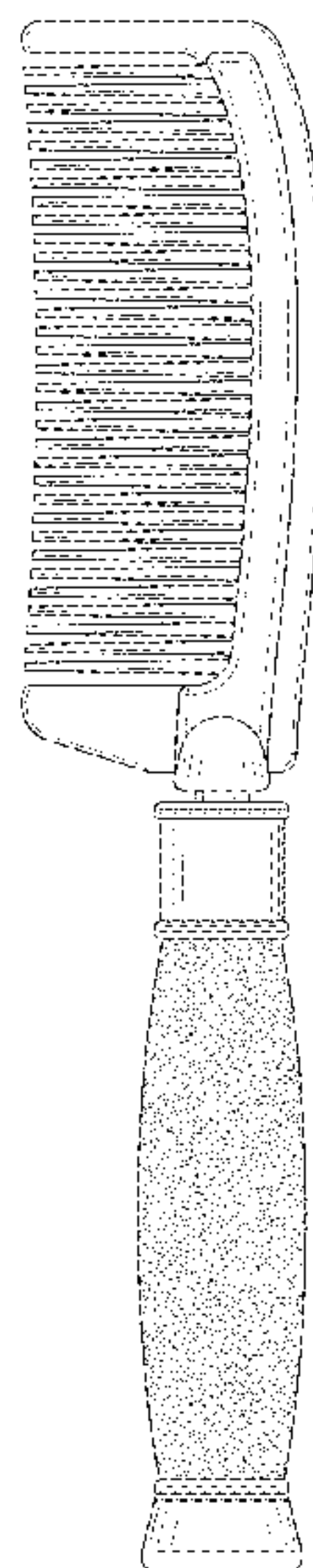
The ornamental design for a hair comb, as shown and described.

- 2,166,295 A 7/1939 Hewitt
- 3,368,569 A 2/1968 Lawrence
- 3,754,557 A * 8/1973 Moore A45D 24/22
401/289
- 4,213,473 A 7/1980 Dawson
- 6,035,806 A * 3/2000 Lorenzo A01K 13/002
119/603
- 6,962,158 B1 * 11/2005 Anguelo A45D 24/22
137/854
- 7,044,137 B2 * 5/2006 Glucksman A45D 24/28
132/114
- D821,030 S * 6/2018 Paul A45D 24/26
D28/25
- 10,292,474 B2 * 5/2019 Delabastide A45D 24/26
- D968,697 S * 11/2022 Russo A45D 24/22
D28/30
- 2015/0208782 A1* 7/2015 Williams A45D 24/22
132/115

DESCRIPTION

FIG. 1 is a front view of the hair comb.
FIG. 2 is a rear view of the claimed design.
FIG. 3 is a left side view of the claimed design.
FIG. 4 is a right side view of the claimed design.
FIG. 5 is a top view of the claimed design.
FIG. 6 is a bottom view of the claimed design.
FIG. 7 is a perspective view of the claimed design; and,
FIG. 8 is an enlarged view of the encircled portion "8" shown in FIG. 7.
The evenly spaced broken lines in FIGS. 7 and 8 are for the purpose of illustrating enlarged view indicators and form no part of the claimed design.

1 Claim, 4 Drawing Sheets



(56)

References Cited

U.S. PATENT DOCUMENTS

2022/0369799 A1* 11/2022 Ilonze A46B 11/0062

OTHER PUBLICATIONS

TH Collection Root Comb Applicator, earliest review Nov. 22, 2021 [online], [retrieved Dec. 6, 2021]. Retrieved from internet, <https://www.amazon.com/dp/B09DRTPPXS/> (Year: 2021).*

Comb Applicator Bottle, posted Oct. 20, 2022 [online], [retrieved Dec. 6, 2021]. Retrieved from internet, <https://www.amazon.co.uk/dp/B0BJYBWKJ6/> (Year: 2022).*

* cited by examiner

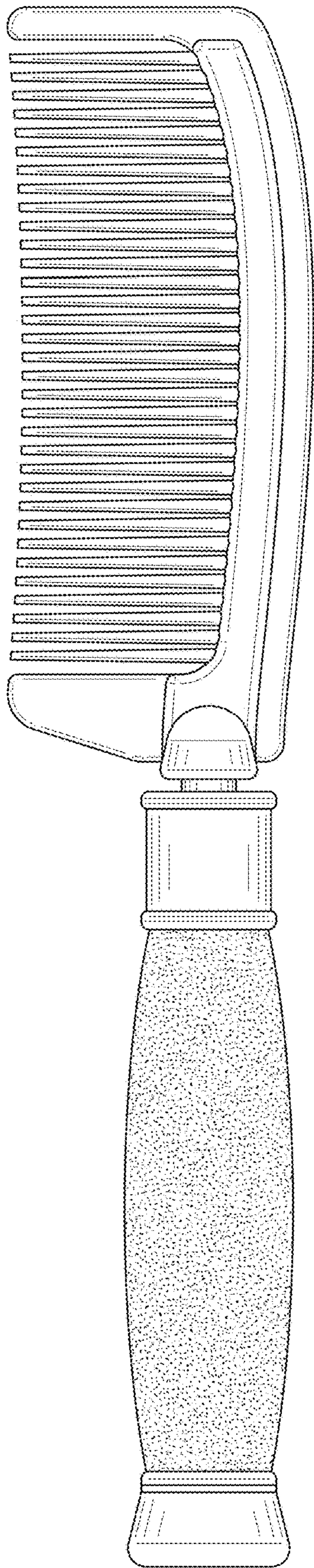


FIG. 1

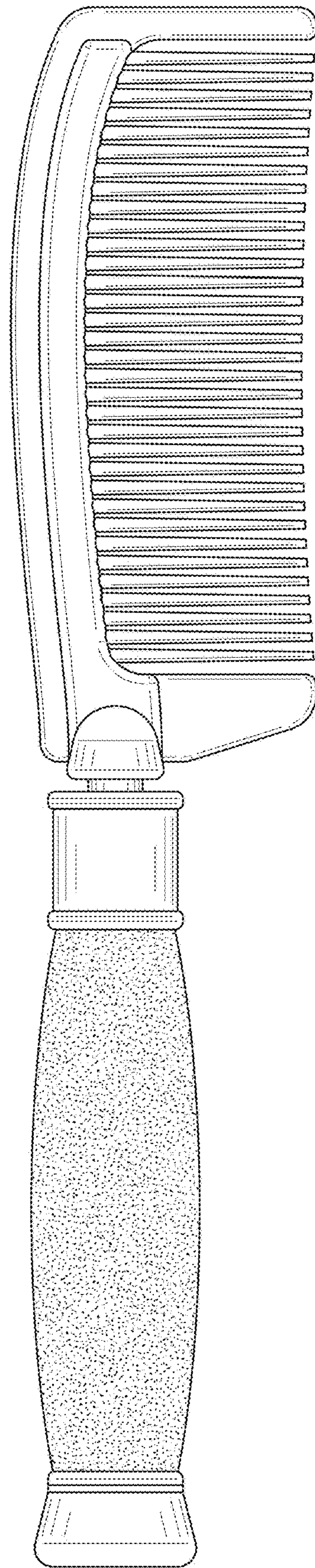


FIG. 2

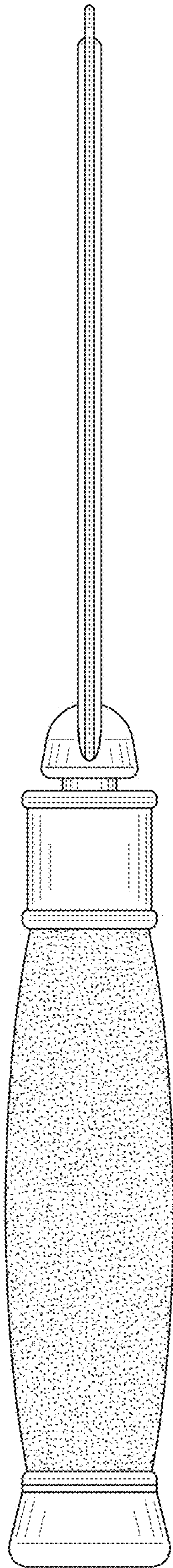


FIG. 3

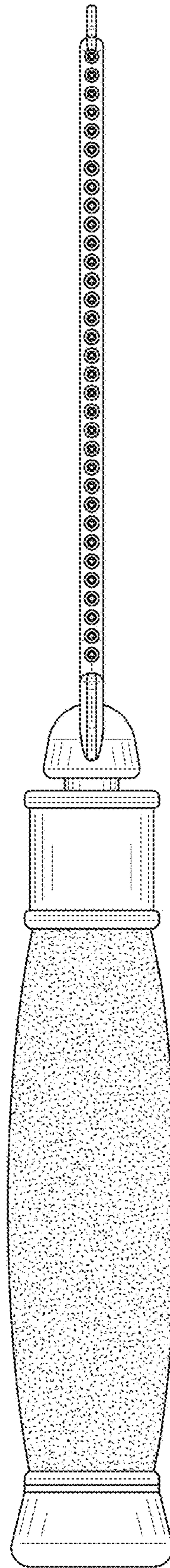


FIG. 4

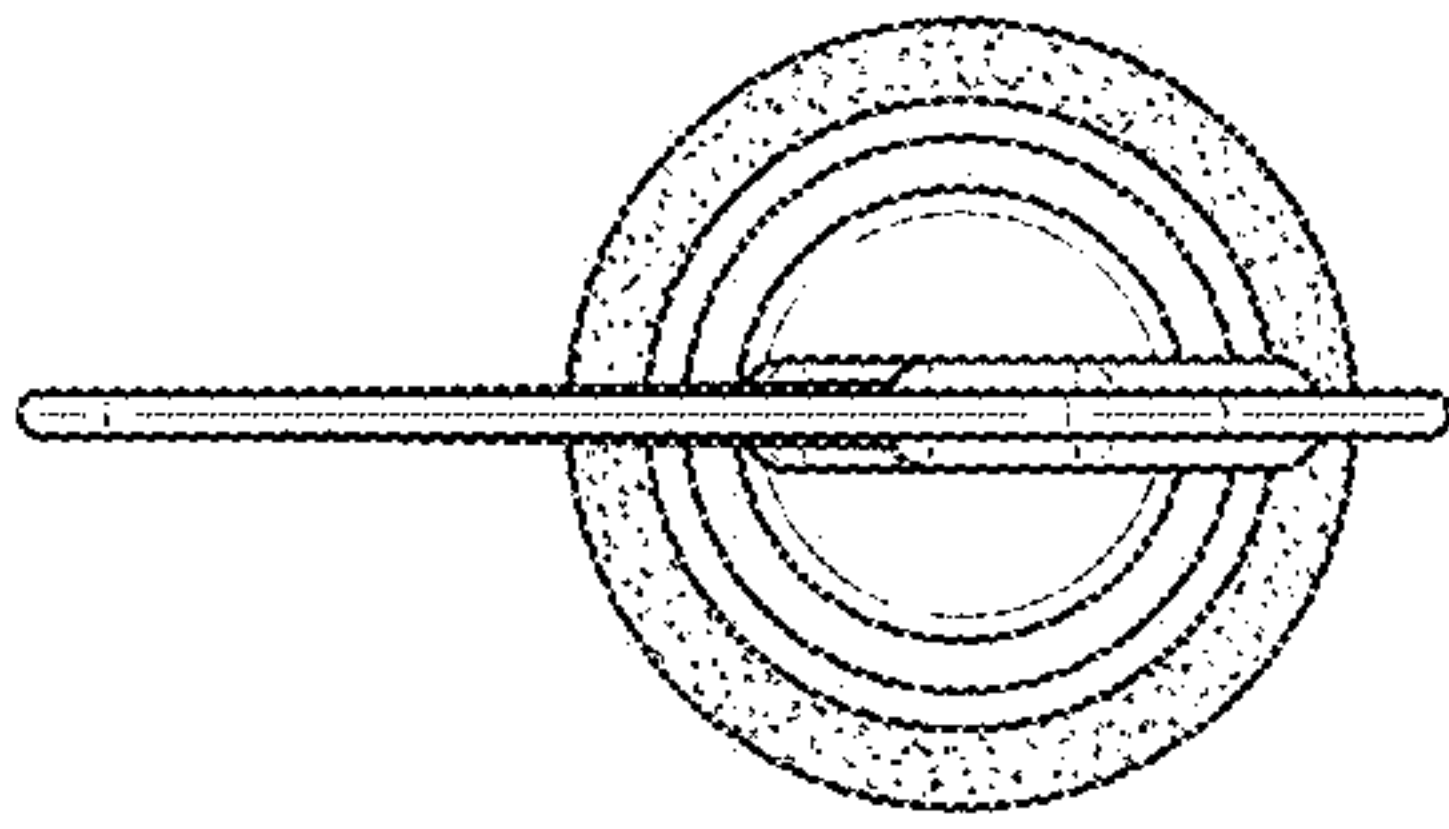


FIG. 5

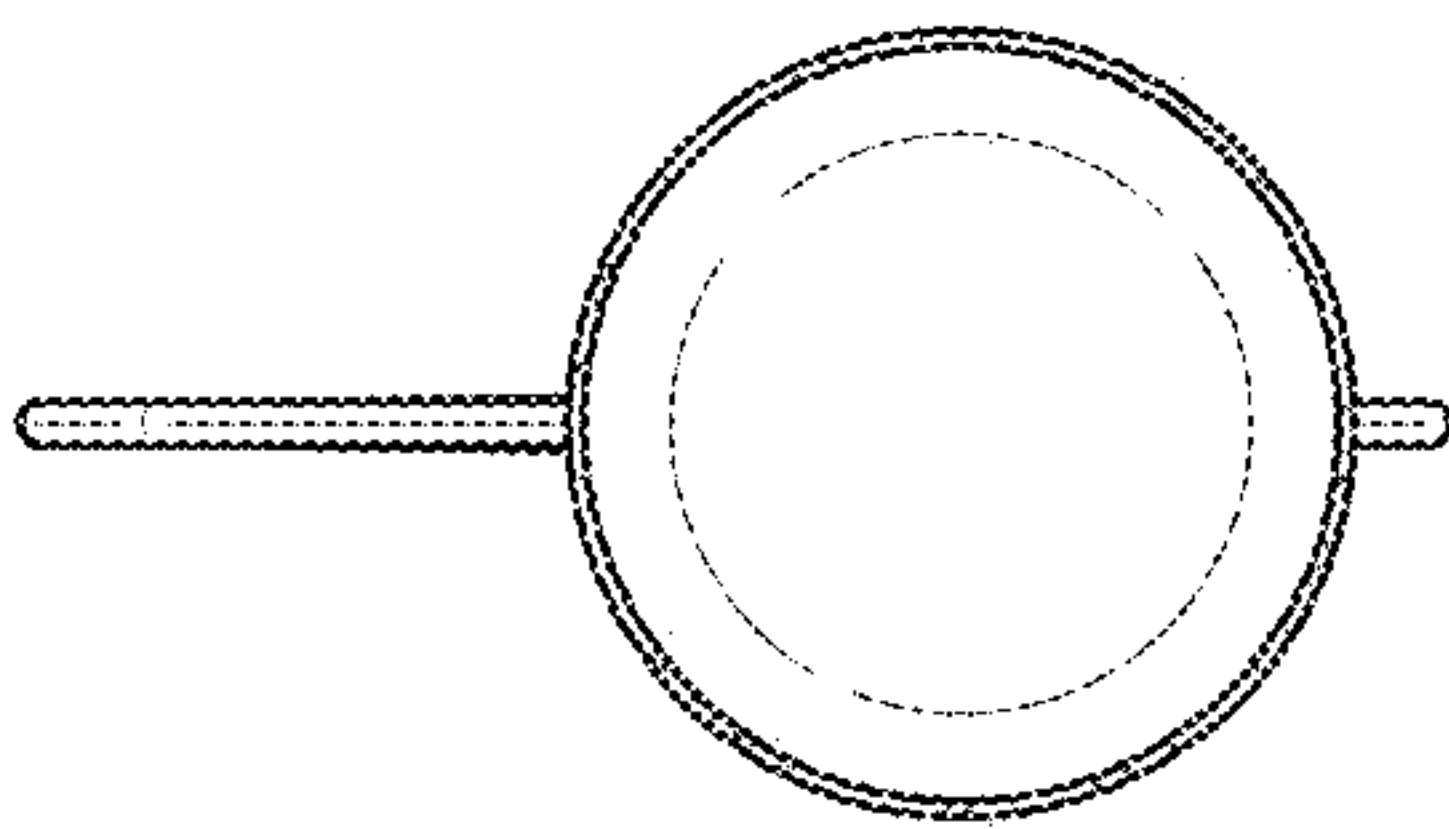


FIG. 6

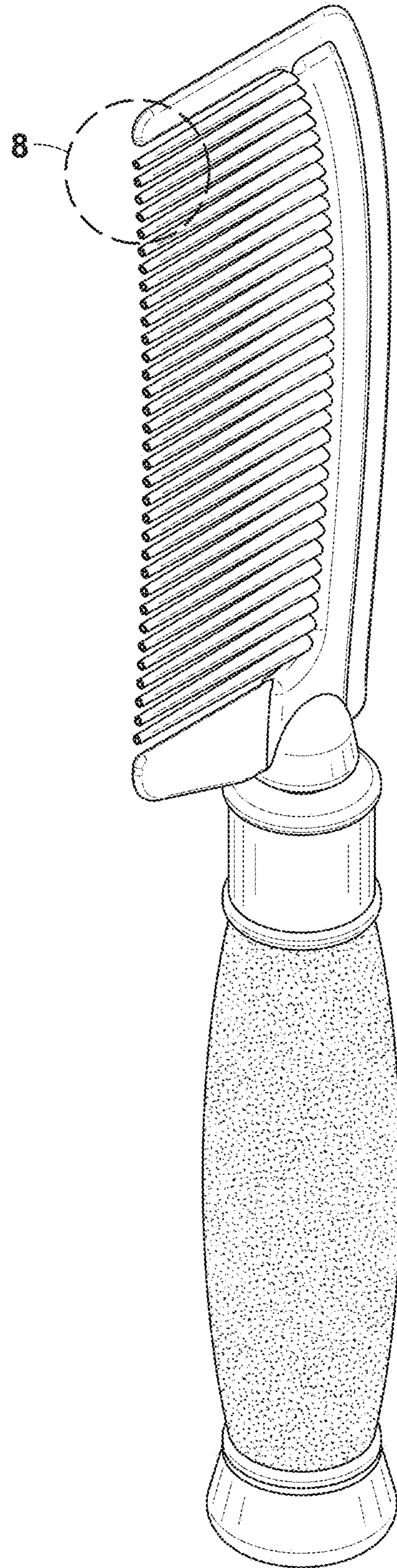


FIG. 7

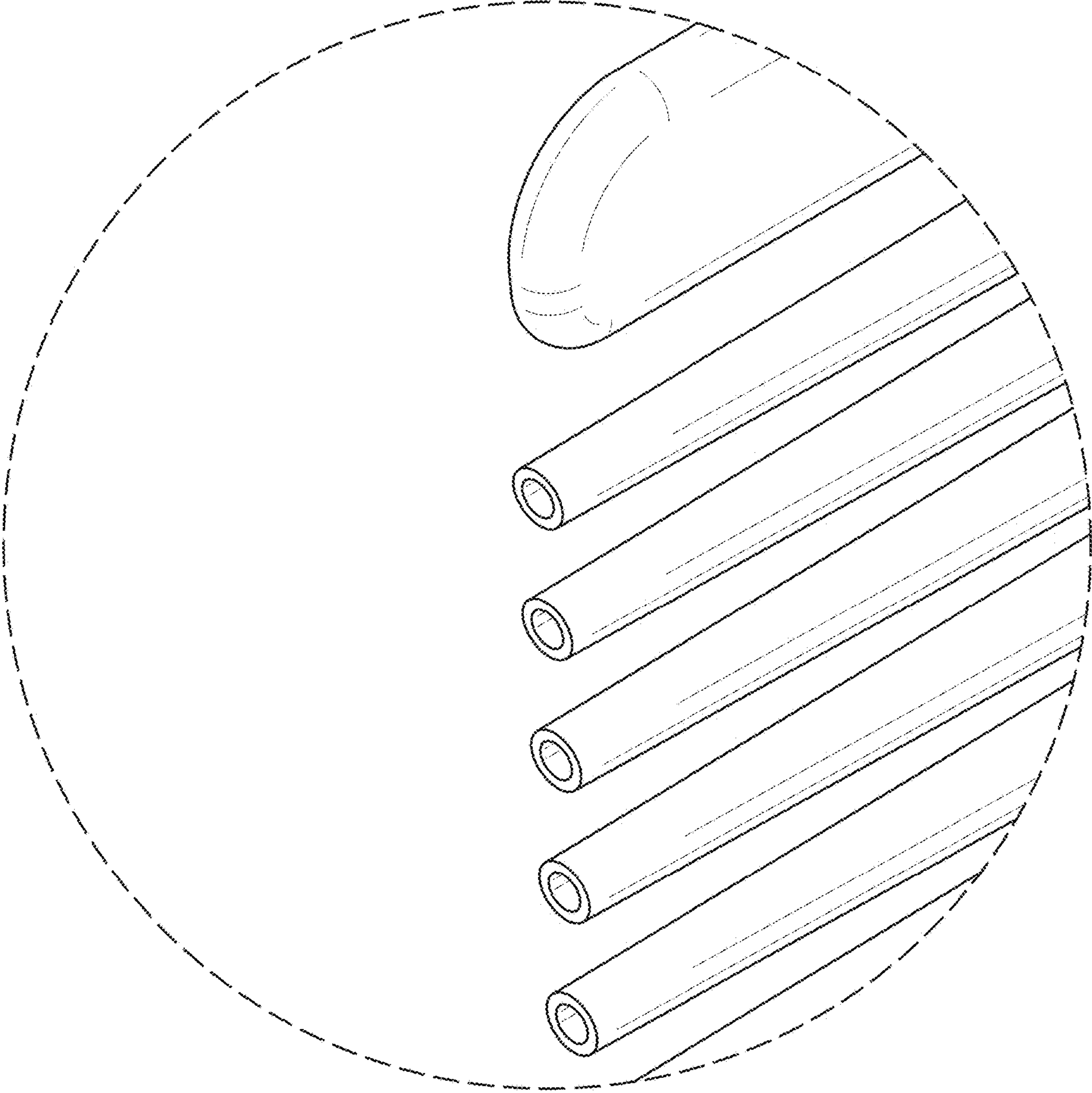


FIG. 8