



US00D984740S

(12) **United States Design Patent**  
**Huang**

(10) **Patent No.:** **US D984,740 S**

(45) **Date of Patent:** **\*\* Apr. 25, 2023**

(54) **HAIR DRYER**

(71) Applicant: **GUANGDONG CONFU  
ELECTRICAL APPLIANCES CO.,  
LTD.**, Jieyang (CN)

(72) Inventor: **Mincong Huang**, Jieyang (CN)

(73) Assignee: **GUANGDONG CONFU  
ELECTRICAL APPLIANCES CO.,  
LTD.**, Jieyang (CN)

(\*\*) Term: **15 Years**

(21) Appl. No.: **29/882,593**

(22) Filed: **Jan. 17, 2023**

(51) **LOC (14) Cl.** ..... **28-03**

(52) **U.S. Cl.**  
USPC ..... **D28/13**

(58) **Field of Classification Search**  
USPC ..... D28/12-19; D8/29.1  
CPC ..... A45D 20/00; A45D 20/04; A45D 20/08;  
A45D 20/10; A45D 20/12; A45D  
2020/128  
See application file for complete search history.

(56) **References Cited**

**U.S. PATENT DOCUMENTS**

D782,733 S *	3/2017	Smith	.....	D28/13
D893,097 S *	8/2020	Huang	.....	D28/13
D898,281 S	10/2020	Yang		
D914,967 S	3/2021	Huang		
D915,668 S *	4/2021	Zhou	.....	D28/13
D919,175 S *	5/2021	Yu	.....	D28/13
D925,825 S *	7/2021	Lo	.....	D28/13
D933,292 S *	10/2021	Yang	.....	D28/13
D934,496 S *	10/2021	Huang	.....	D28/13
D952,248 S *	5/2022	Lei	.....	D28/13

D954,345 S *	6/2022	Ye	.....	D28/13
D965,866 S *	10/2022	Huang	.....	D28/13
D965,867 S *	10/2022	Huang	.....	D28/13
D965,868 S *	10/2022	Huang	.....	D28/13
D965,869 S *	10/2022	Huang	.....	D28/13
D973,271 S *	12/2022	Hu	.....	D28/13
D973,272 S *	12/2022	Chen	.....	D28/13
D974,655 S *	1/2023	Li	.....	D28/13

\* cited by examiner

*Primary Examiner* — Zenia I Bennett

(74) *Attorney, Agent, or Firm* — Daniel M. Cohn;  
Howard M. Cohn

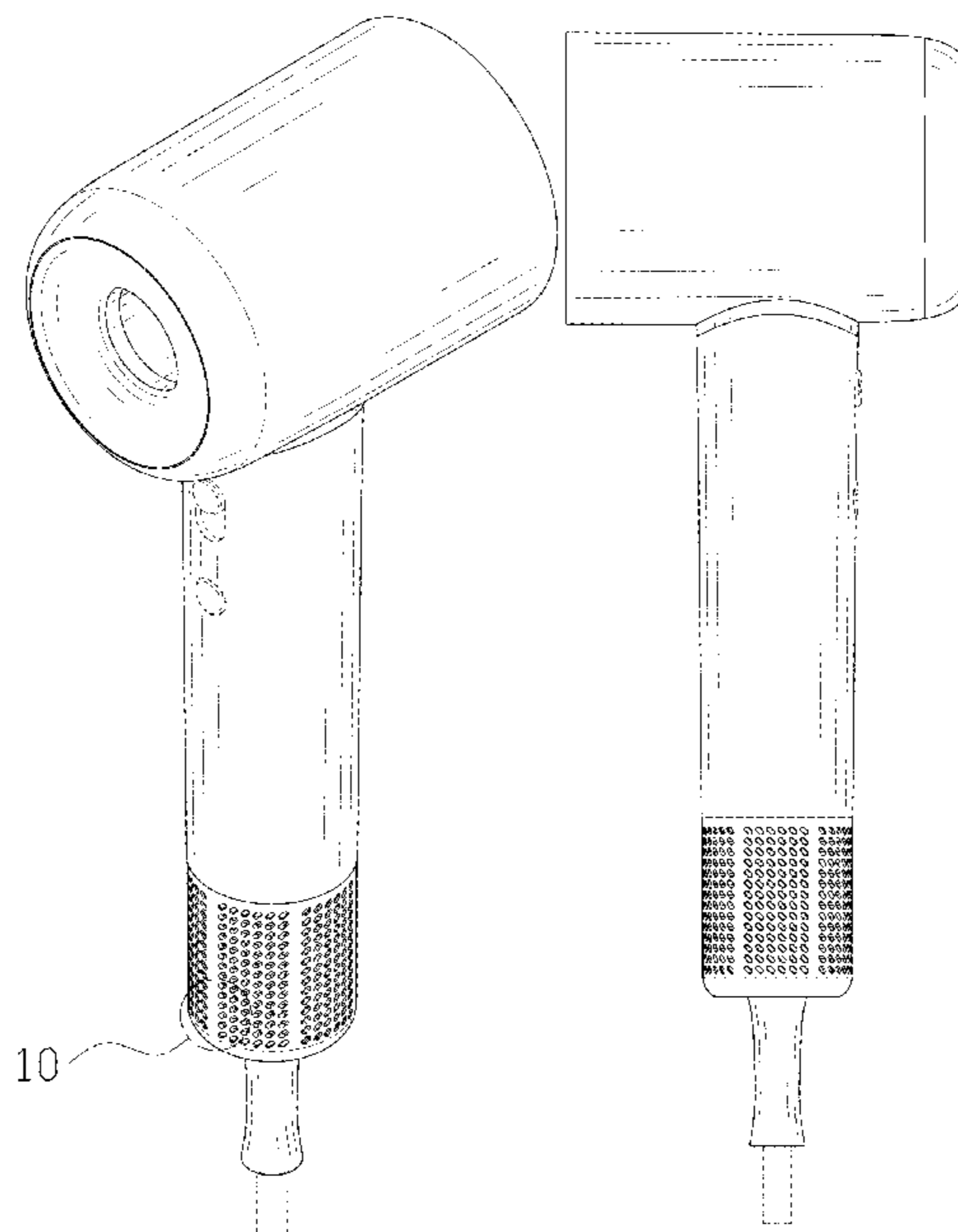
(57) **CLAIM**

The ornamental design for a hair dryer, as shown and described.

**DESCRIPTION**

FIG. 1 is a perspective view of a hair dryer showing my new design;  
 FIG. 2 is another perspective view thereof;  
 FIG. 3 is a front elevational view thereof;  
 FIG. 4 is a rear elevational view thereof;  
 FIG. 5 is a left side elevational view thereof;  
 FIG. 6 is a right side elevational view thereof;  
 FIG. 7 is a top plan view thereof;  
 FIG. 8 is a bottom plan view thereof;  
 FIG. 9 is a cross-sectional view taken along the line 9-9 shown in FIG. 4;  
 FIG. 10 is an enlarged view of portion 10 shown in FIG. 1; and,  
 FIG. 11 is an enlarged view of portion 11 shown in FIG. 2.  
 The dash-dash broken lines in the drawings depict portions of the hair dryer that form no part of the claimed design. The dot-dash broken lines represent boundaries of the enlarged portions and form no part of the claimed design.

**1 Claim, 11 Drawing Sheets**



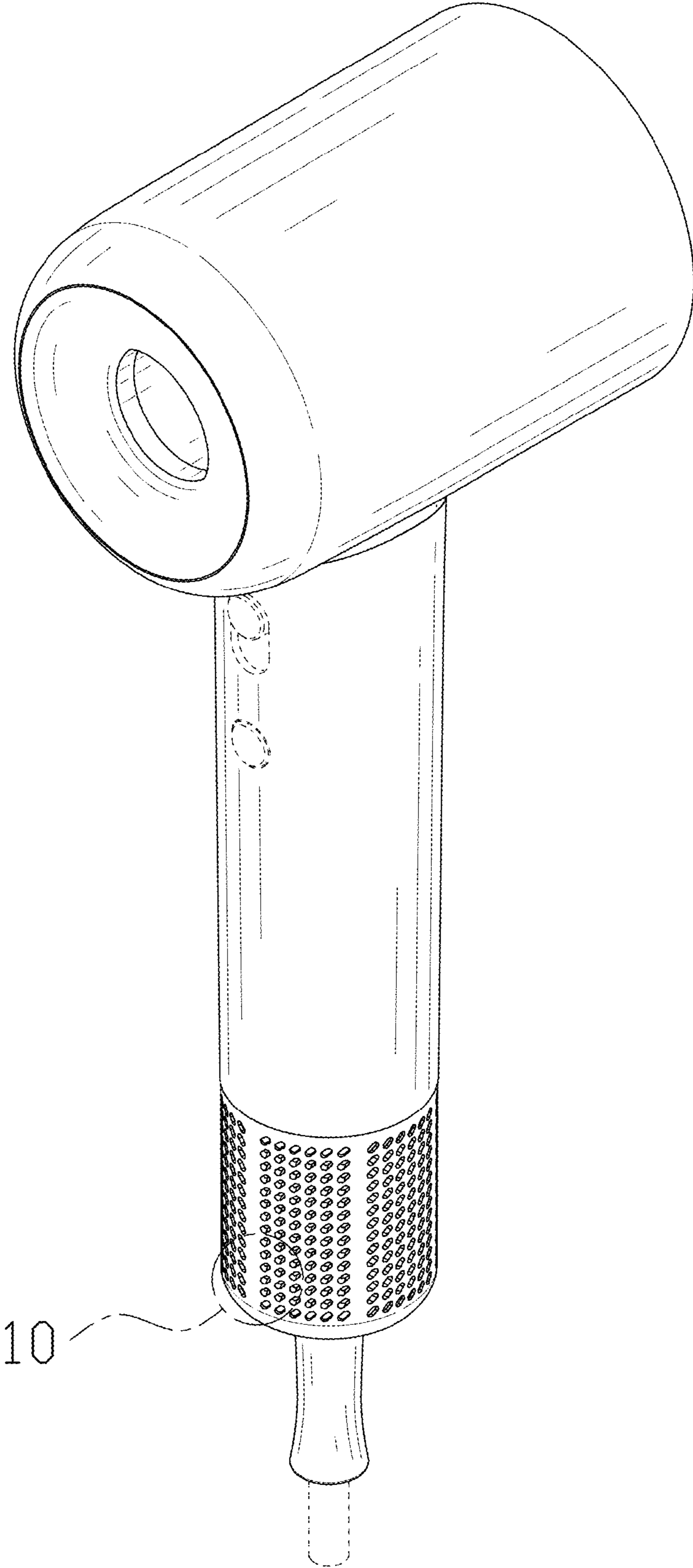


FIG. 1

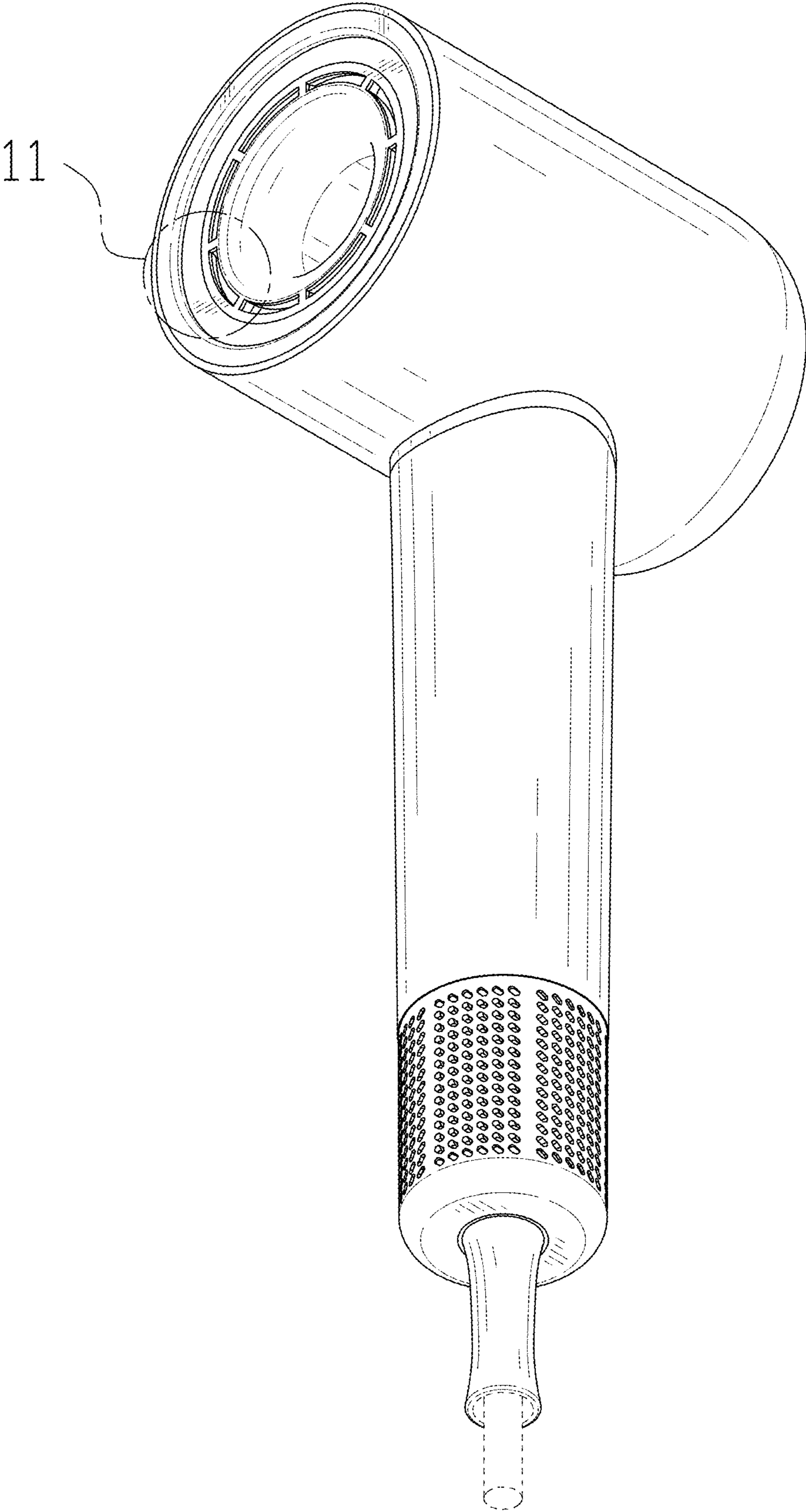


FIG. 2

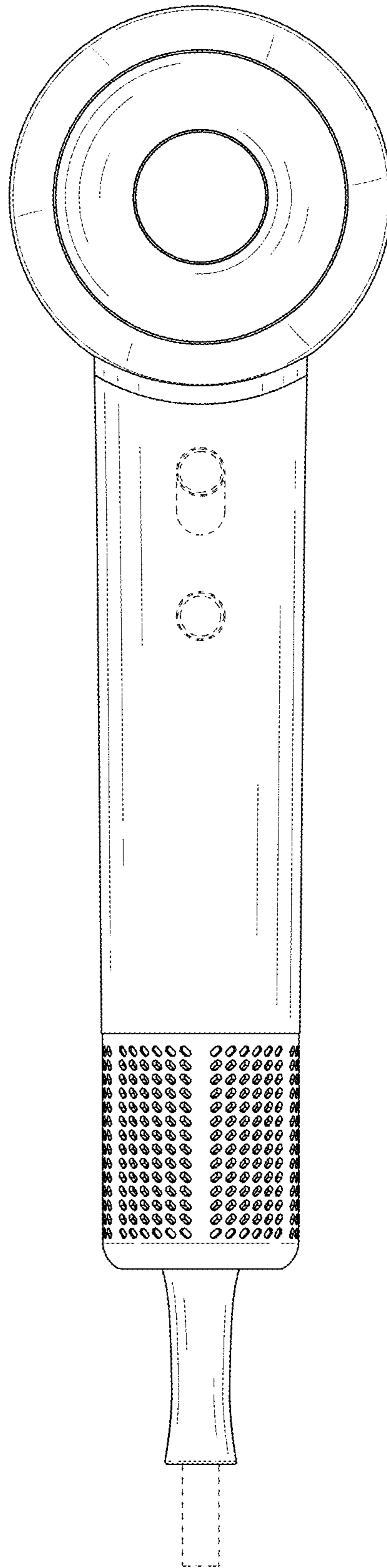


FIG. 3

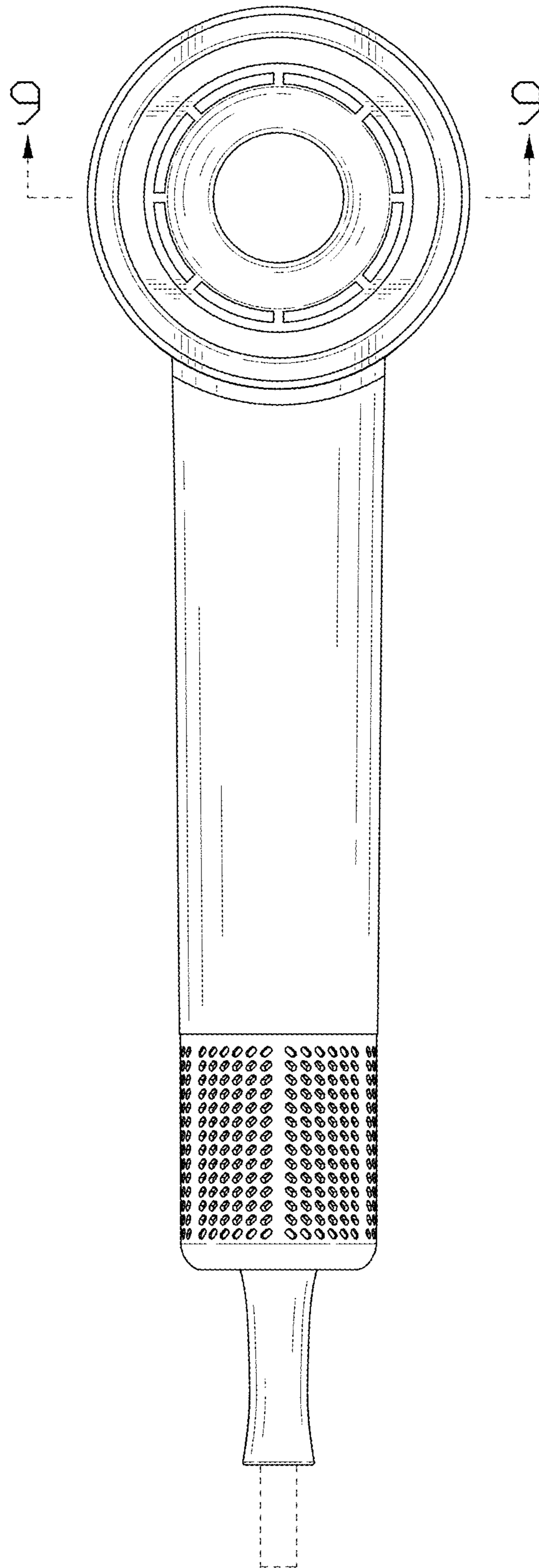


FIG. 4

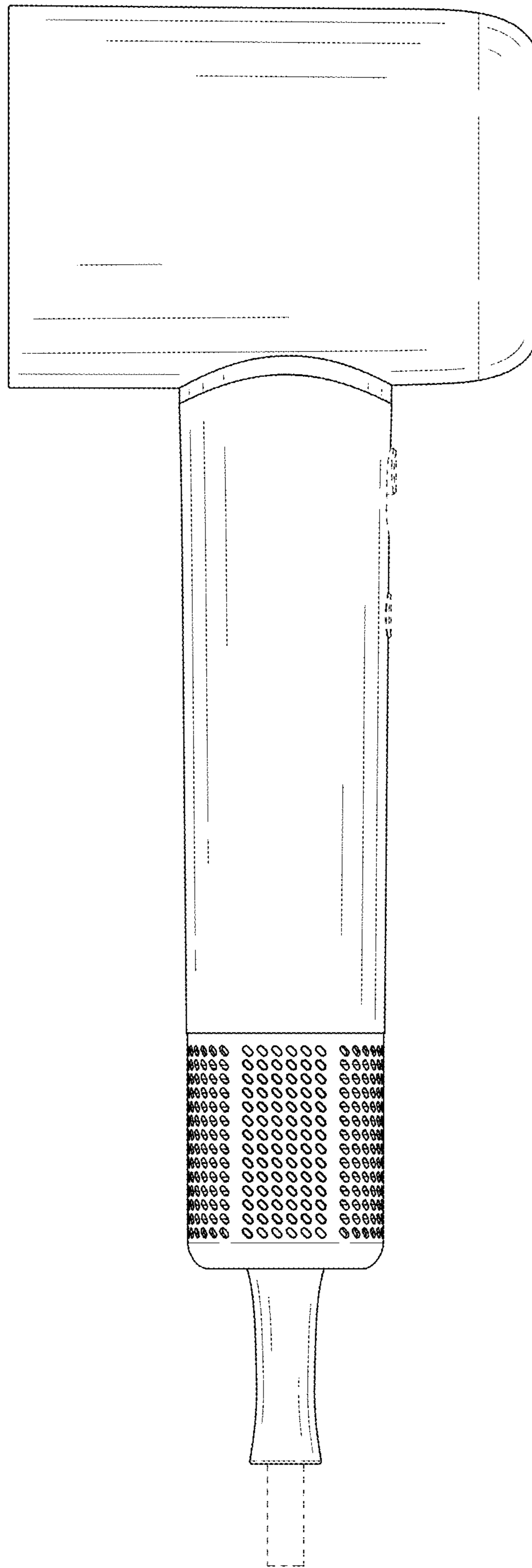


FIG. 5

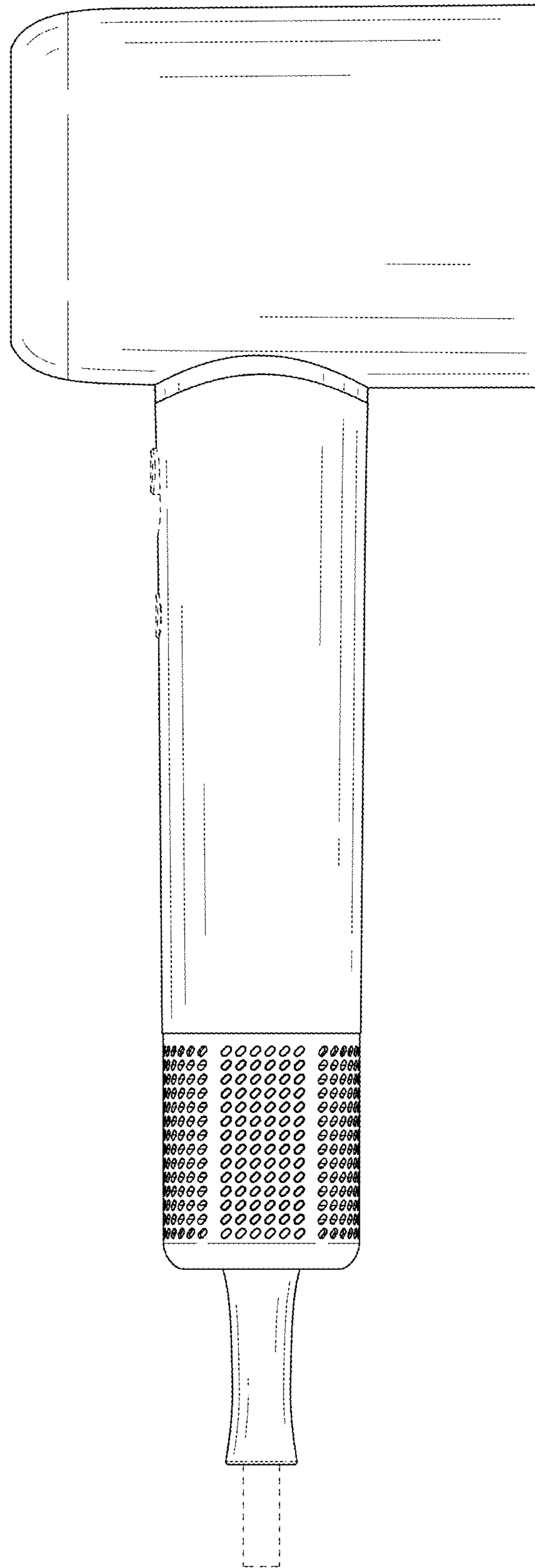


FIG. 6

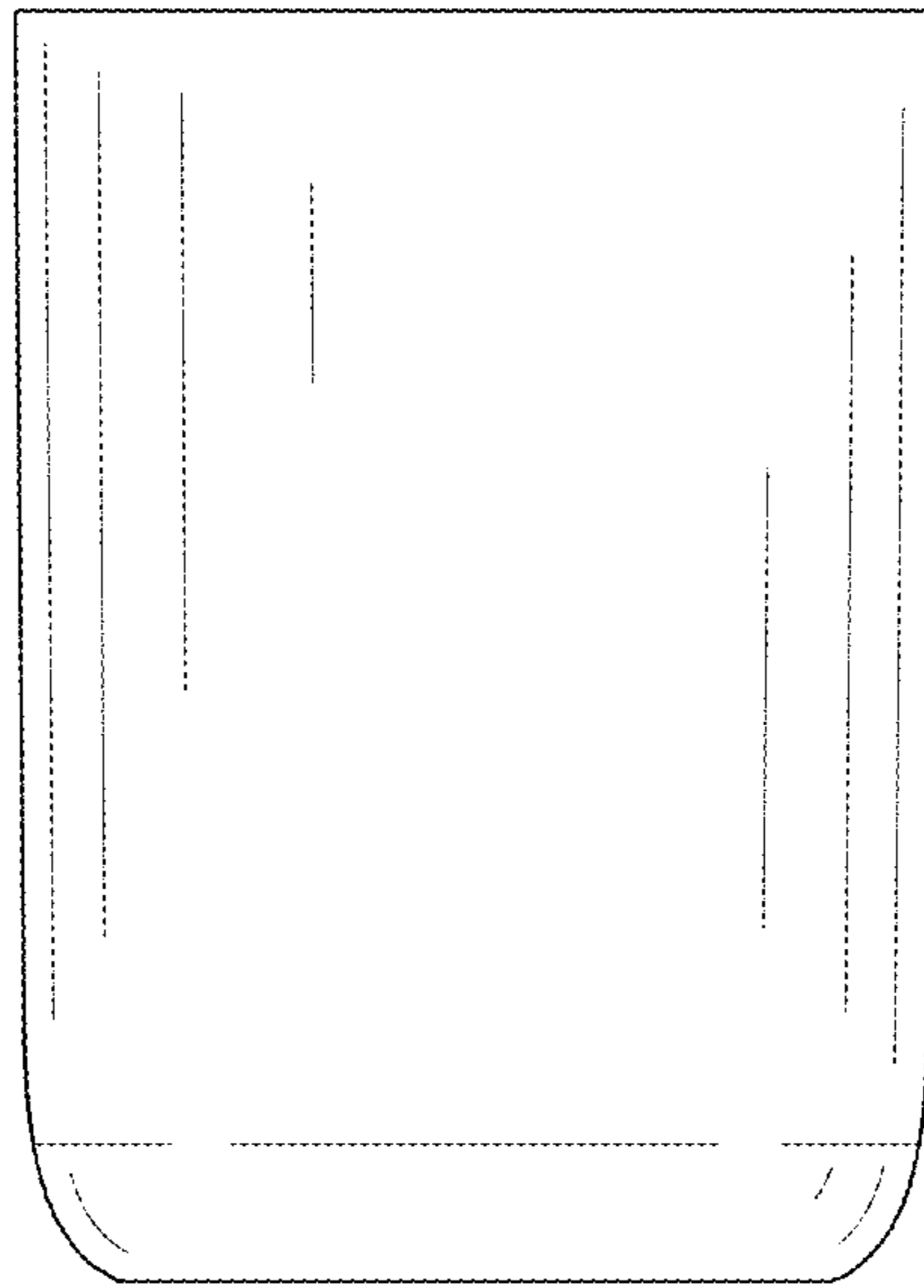


FIG. 7



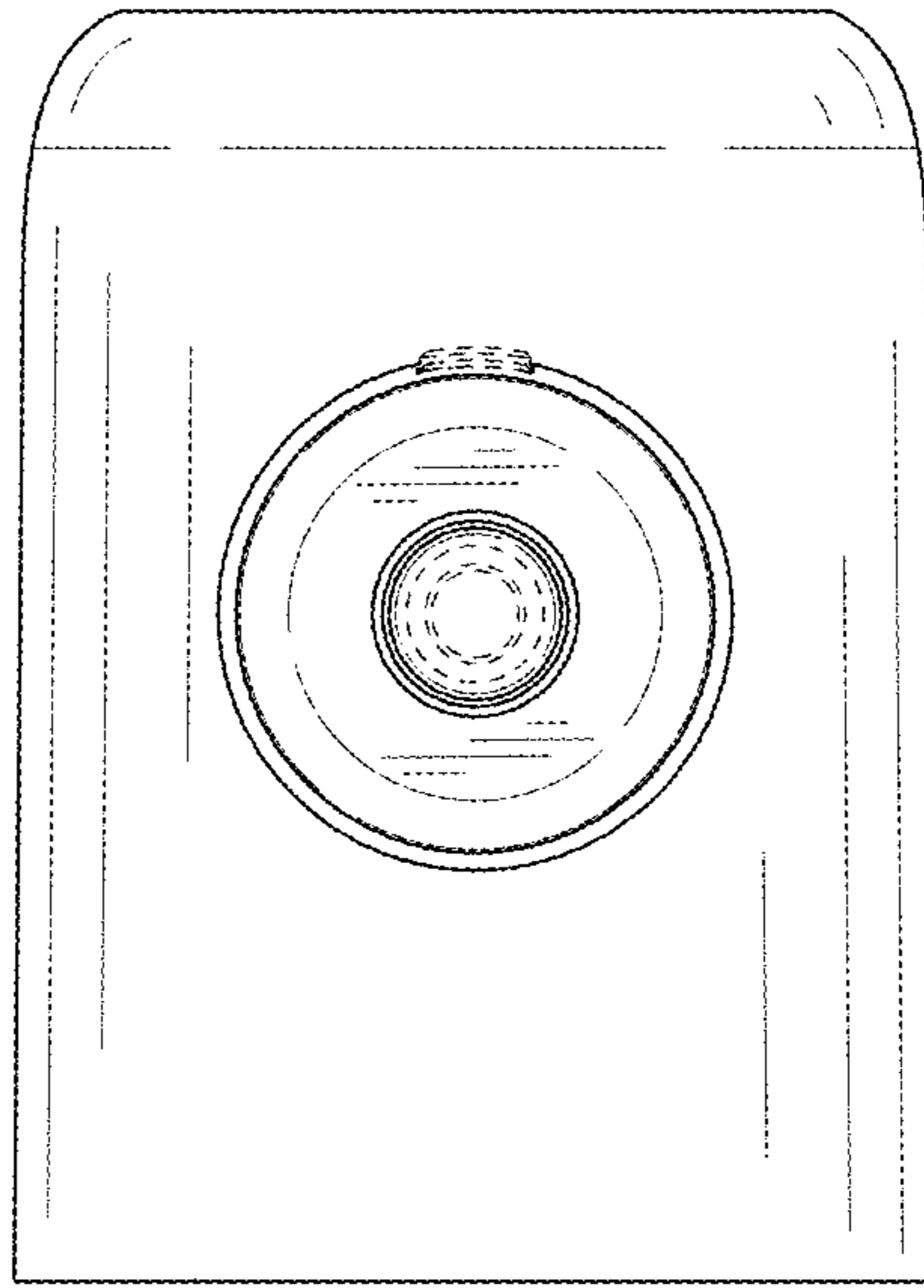


FIG. 8

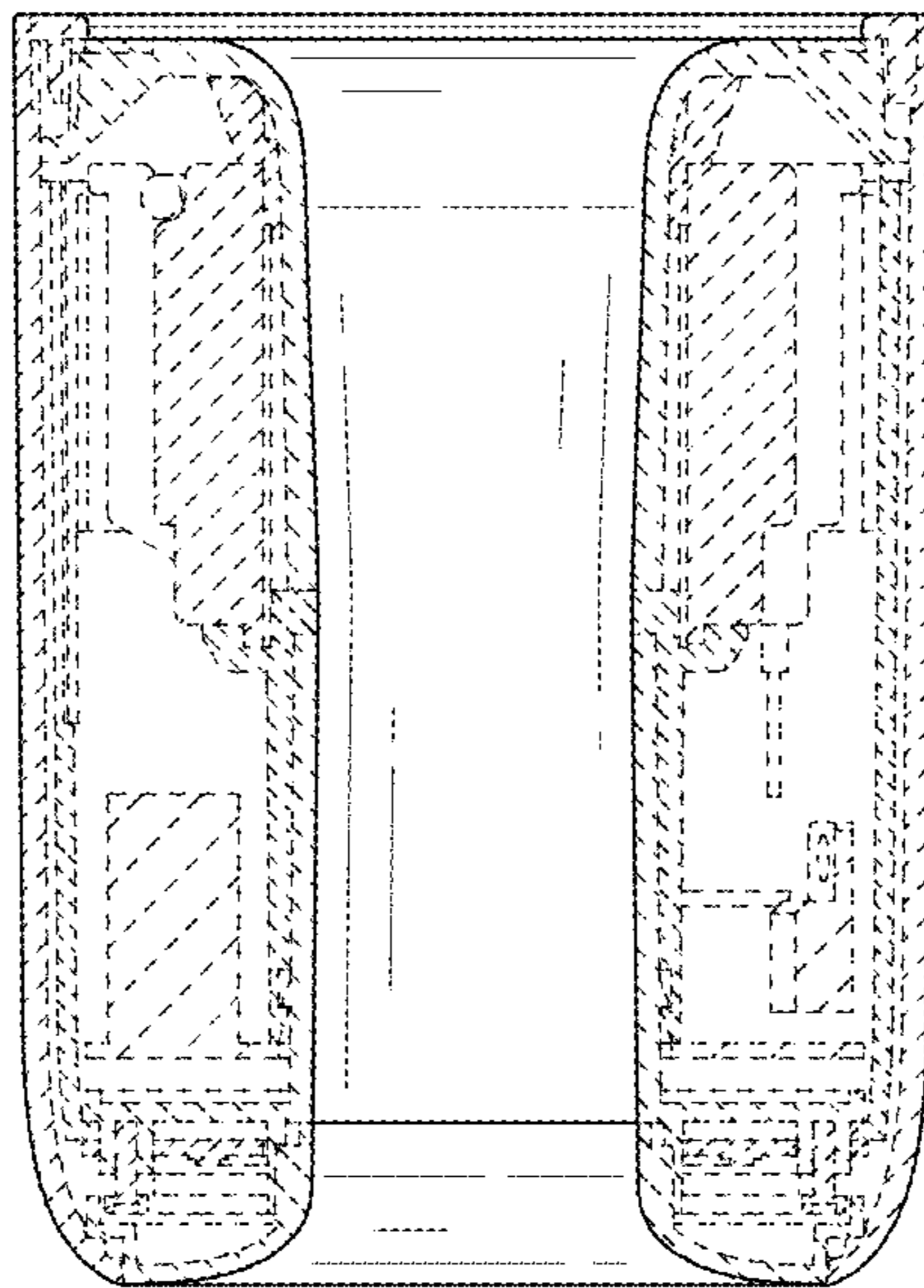


FIG. 9

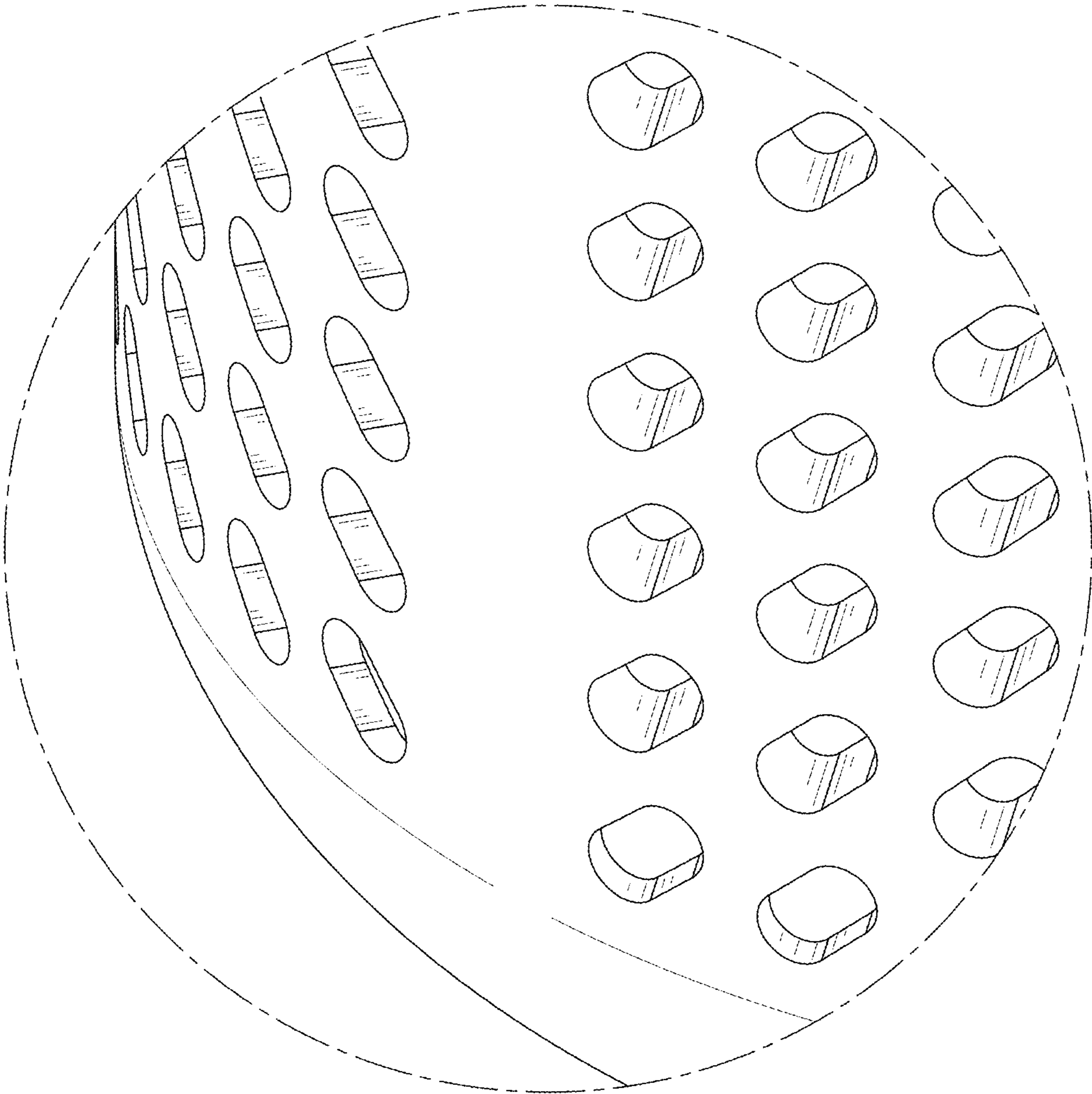


FIG. 10

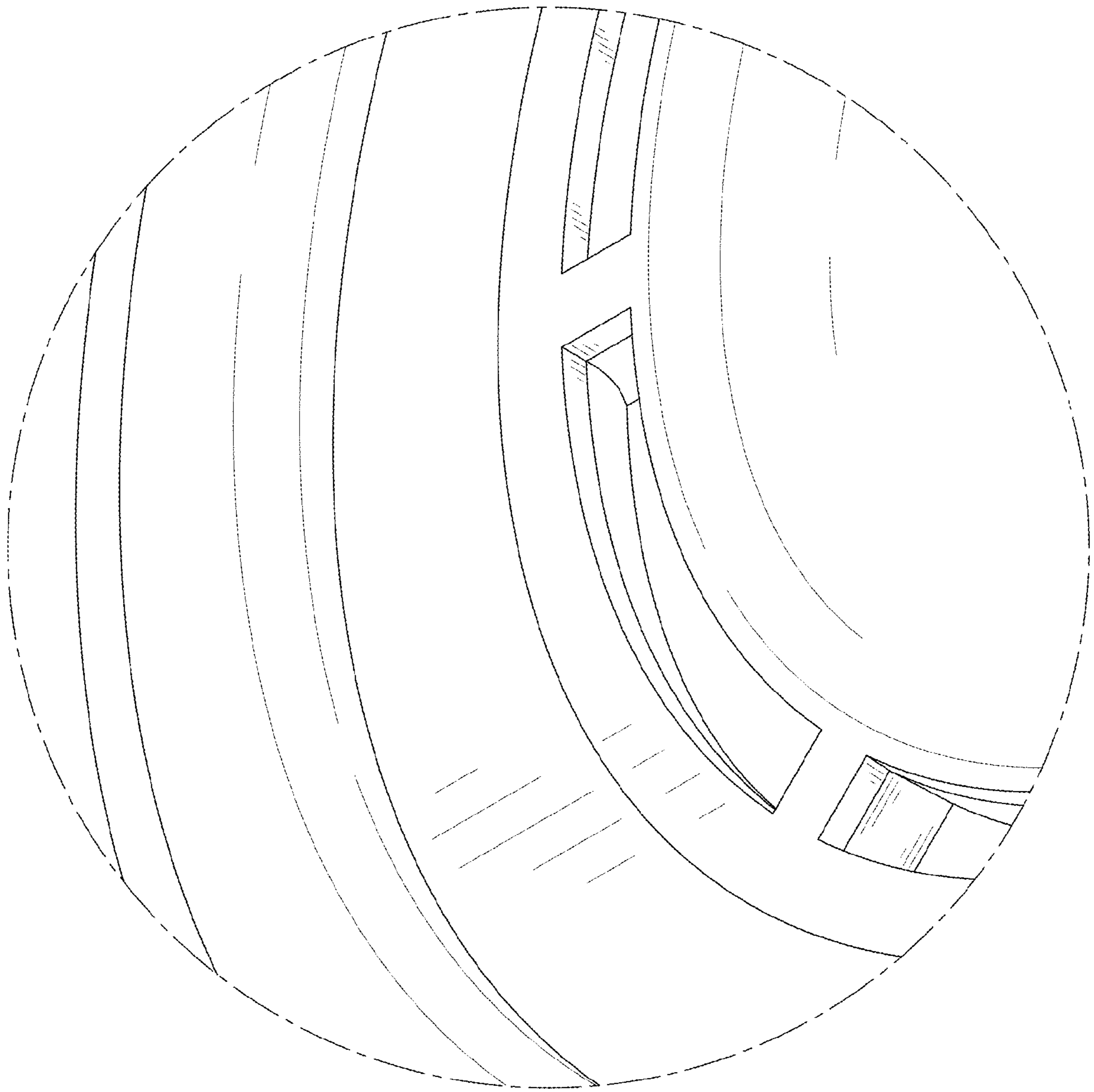


FIG. 11