



US00D984739S

(12) **United States Design Patent**
Wang

(10) **Patent No.:** **US D984,739 S**

(45) **Date of Patent:** **** Apr. 25, 2023**

(54) **HAIR DRYER**

(71) Applicant: **Ying Wang**, Anhui (CN)

(72) Inventor: **Ying Wang**, Anhui (CN)

(**) Term: **15 Years**

(21) Appl. No.: **29/796,128**

(22) Filed: **Jun. 22, 2021**

(51) **LOC (14) Cl.** **28-03**

(52) **U.S. Cl.**
USPC **D28/13**

(58) **Field of Classification Search**
USPC D28/12-19; D8/29.1
CPC A45D 20/00; A45D 20/04; A45D 20/08;
A45D 20/10; A45D 20/12; A45D
2020/128
See application file for complete search history.

(56) **References Cited**

U.S. PATENT DOCUMENTS

D253,253 S *	10/1979	Rakocy	D28/13
D782,733 S *	3/2017	Smith	D28/13
D859,738 S *	9/2019	Huang	D28/13
D861,246 S *	9/2019	Hsu	D28/13
D884,965 S *	5/2020	Liu	D28/13

D898,282 S *	10/2020	Huang	D28/13
D903,194 S *	11/2020	Huang	D28/13
D925,825 S *	7/2021	Lo	D28/13
D930,899 S *	9/2021	Zhang	D28/13
D955,636 S *	6/2022	Zou	D28/13

* cited by examiner

Primary Examiner — Zenia I Bennett

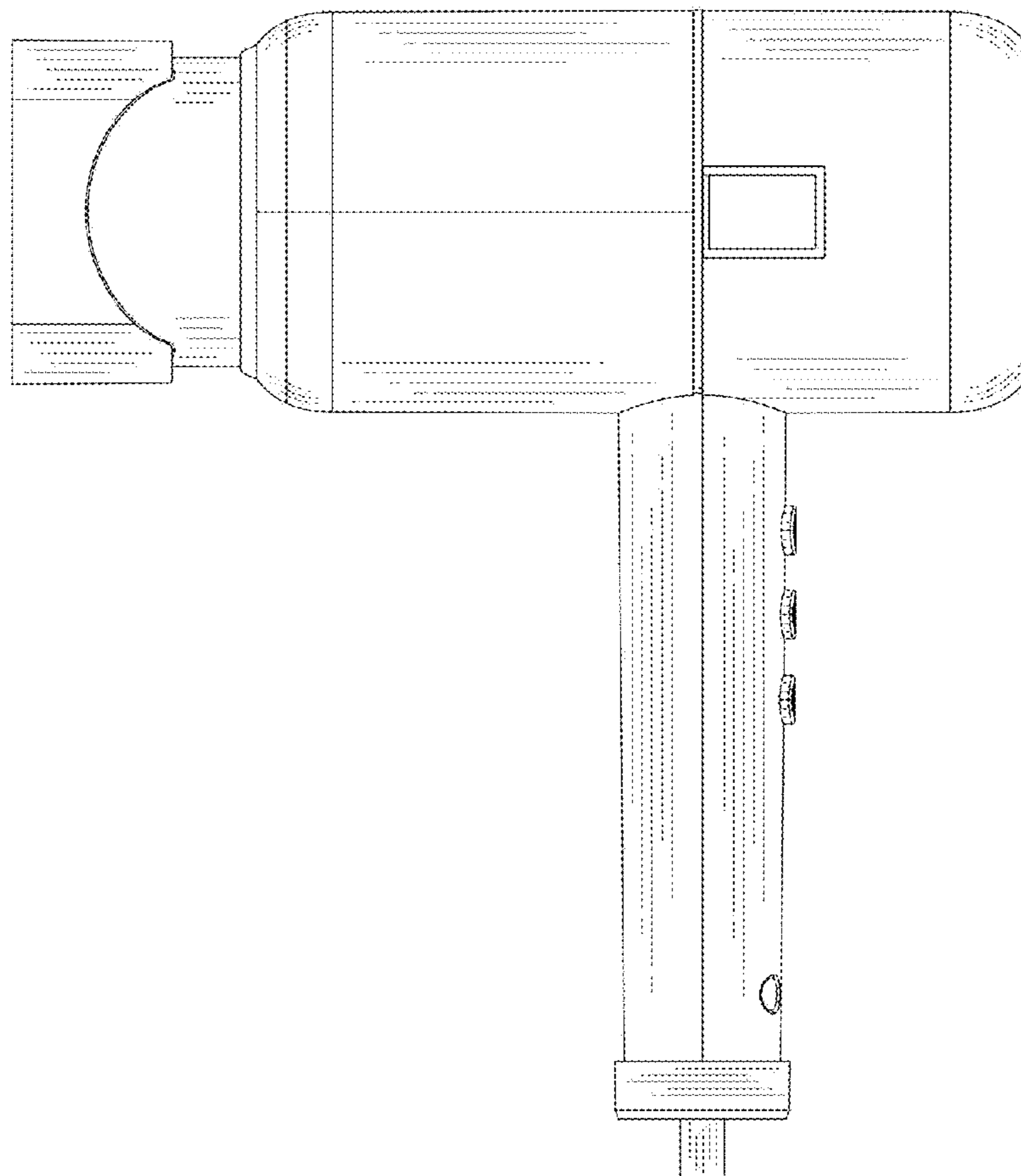
(57) **CLAIM**

The ornamental design for a hair dryer, as shown and described.

DESCRIPTION

FIG. 1 is a front and bottom perspective view of a hair dryer showing my new design;
 FIG. 2 is a rear and top perspective view thereof;
 FIG. 3 is a front elevation view thereof;
 FIG. 4 is a rear elevation view thereof;
 FIG. 5 is a left side elevation view thereof;
 FIG. 6 is a right side elevation view thereof;
 FIG. 7 is a top plan view thereof;
 FIG. 8 is a bottom plan view thereof;
 FIG. 9 is an enlarged view of the hair dryer taken from the circle part in FIG. 3; and,
 FIG. 10 is an enlarged view of the hair dryer taken from the circle part in FIG. 4.

1 Claim, 10 Drawing Sheets



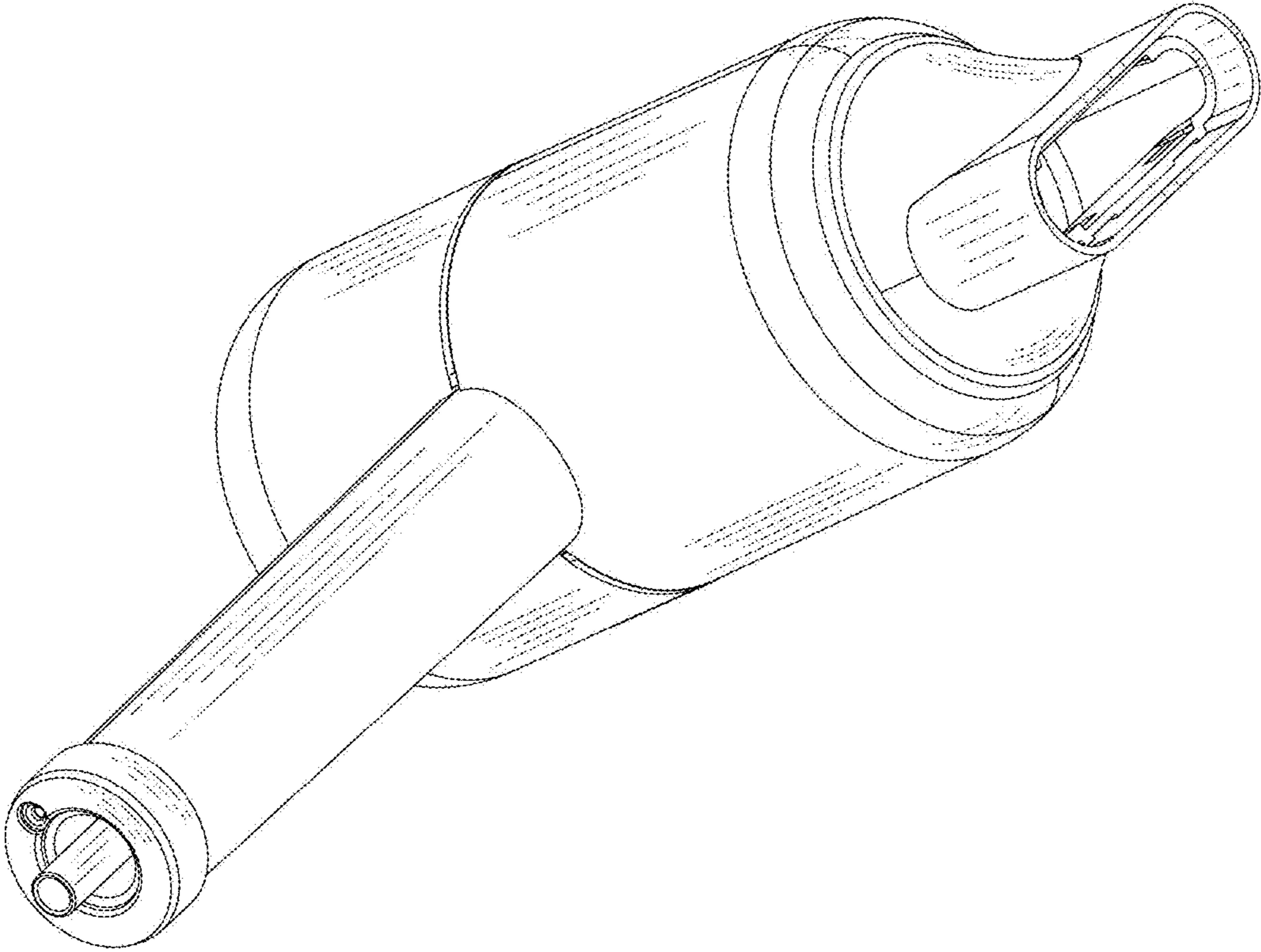


FIG.1

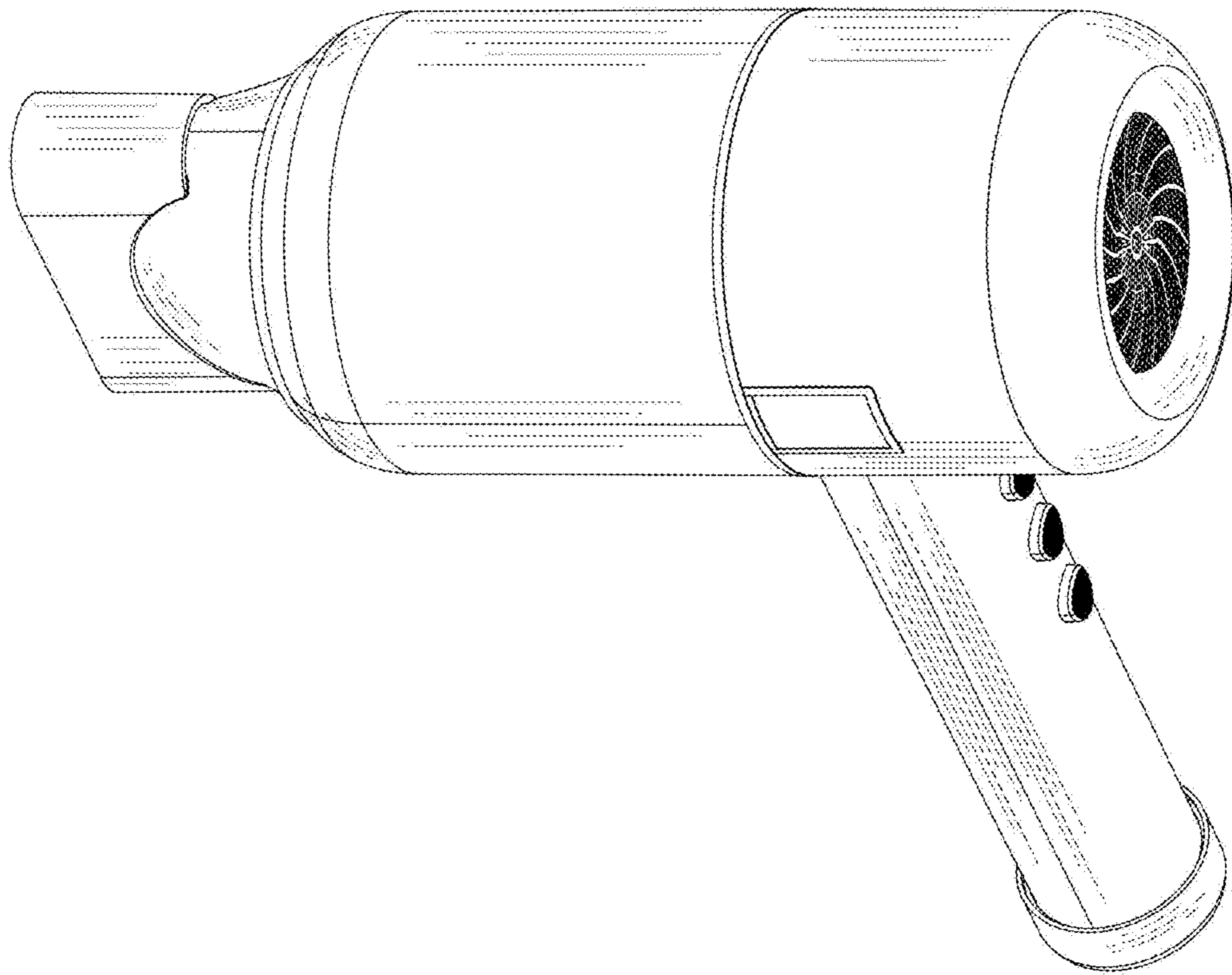


FIG.2

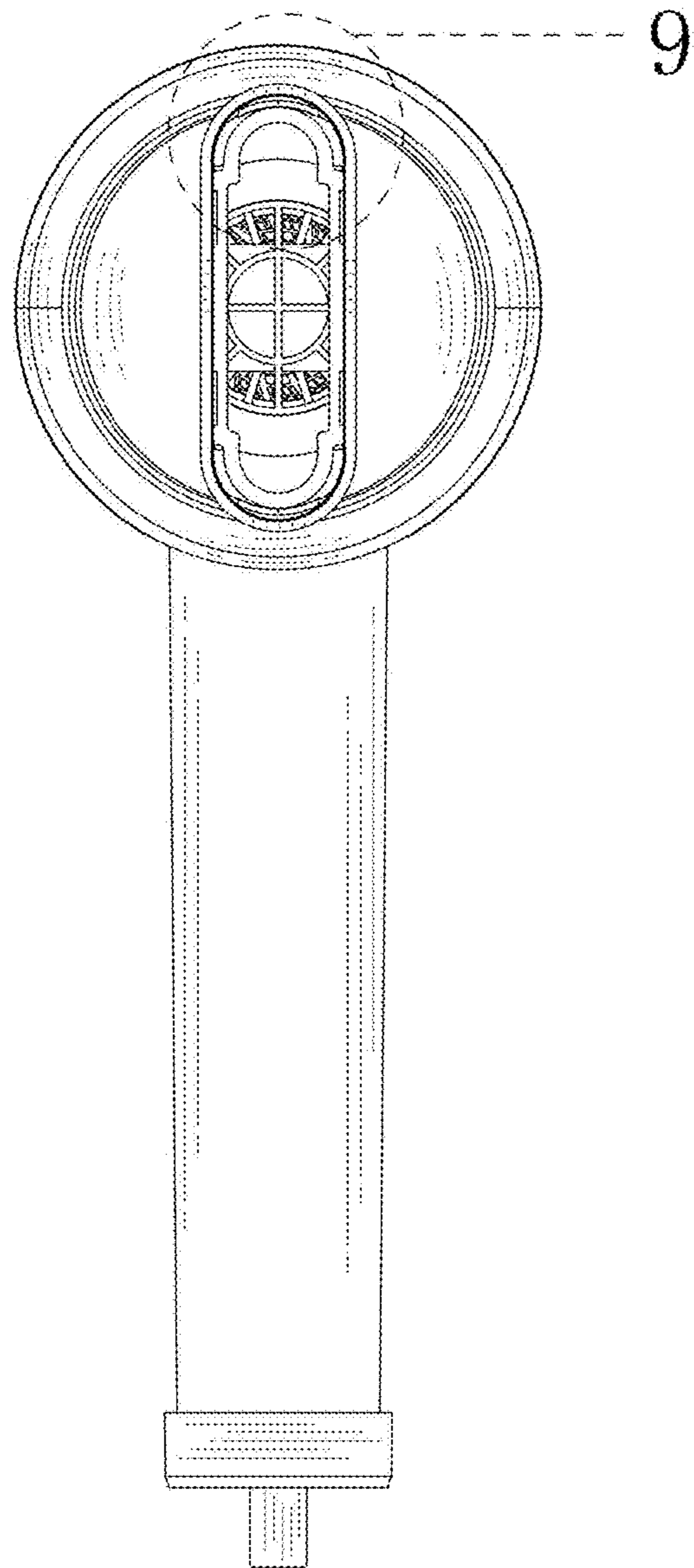


FIG.3

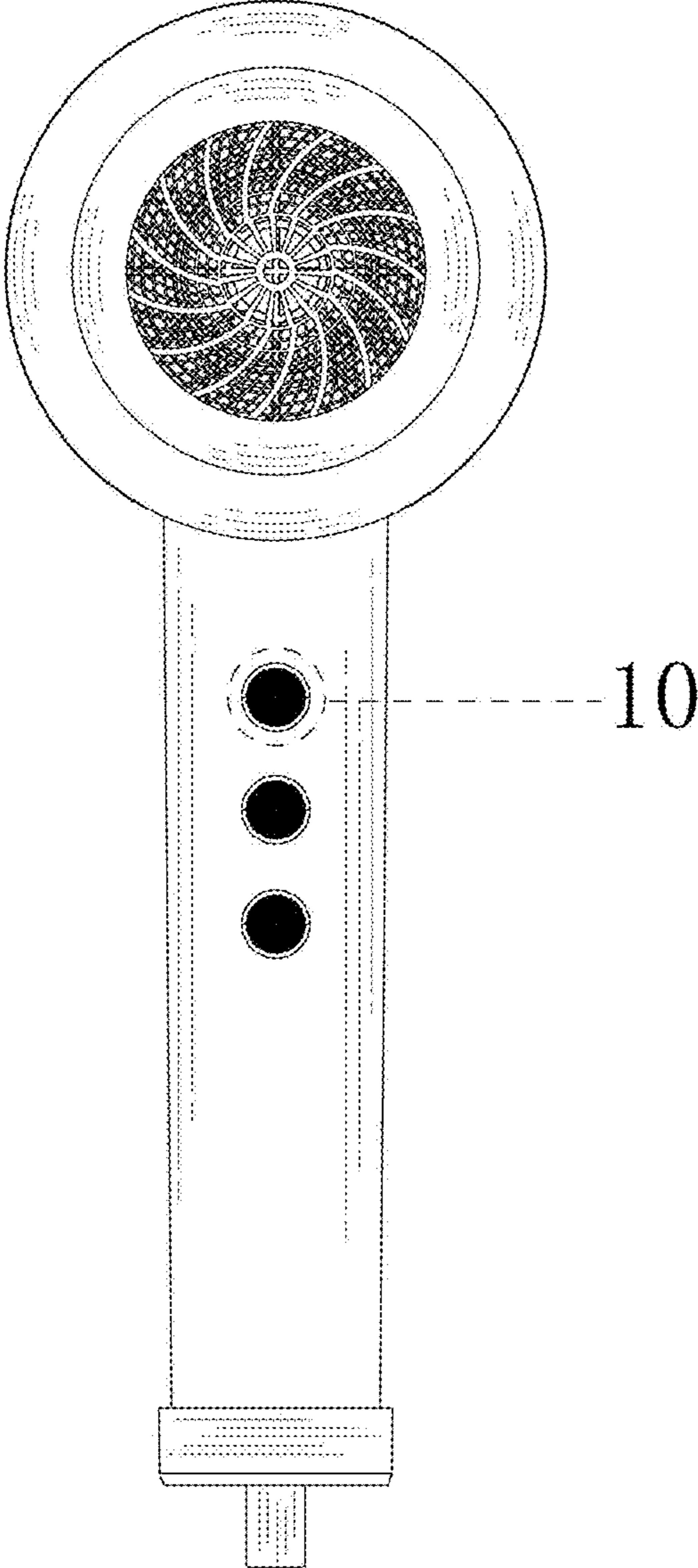


FIG.4

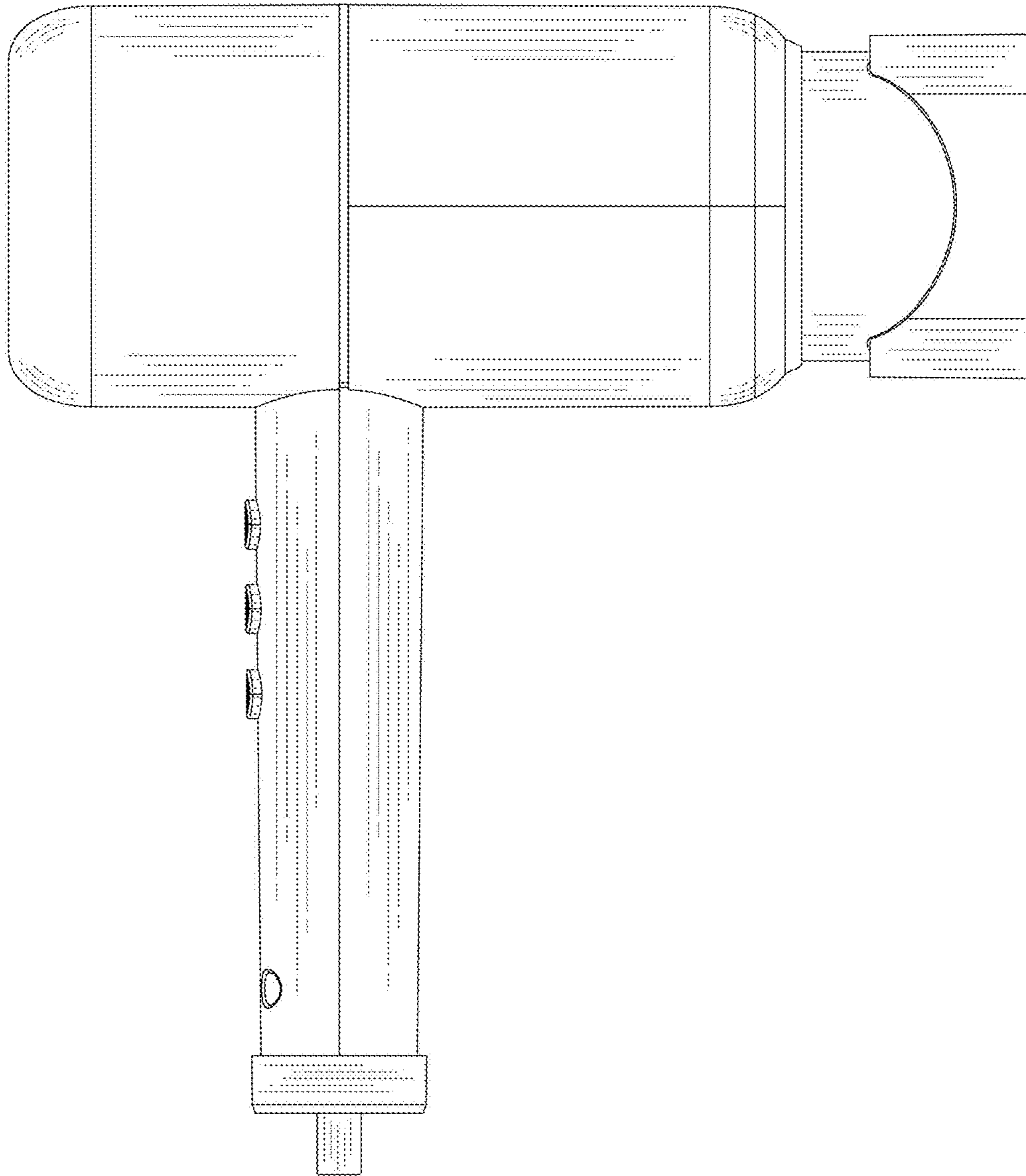


FIG.5

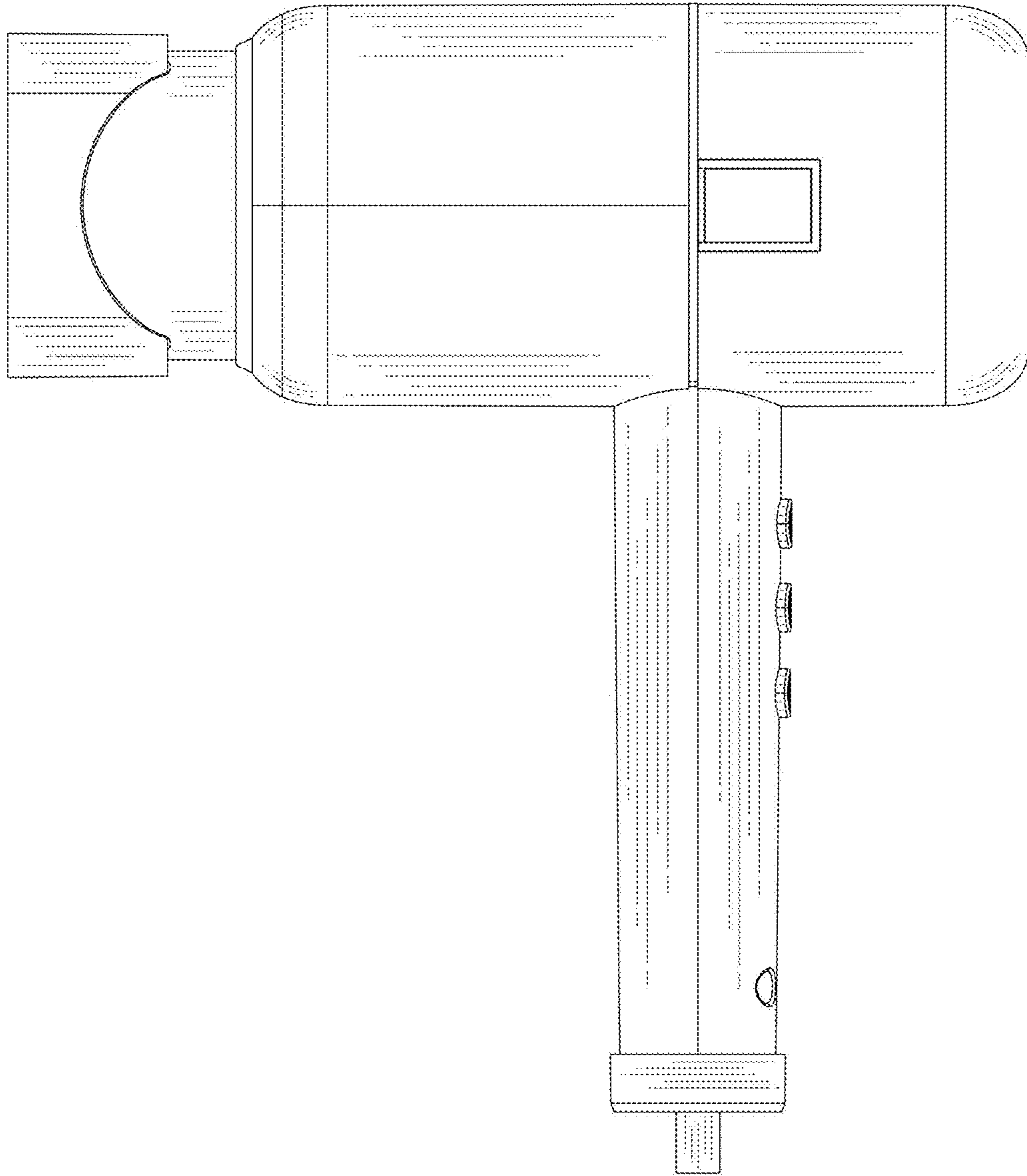


FIG.6

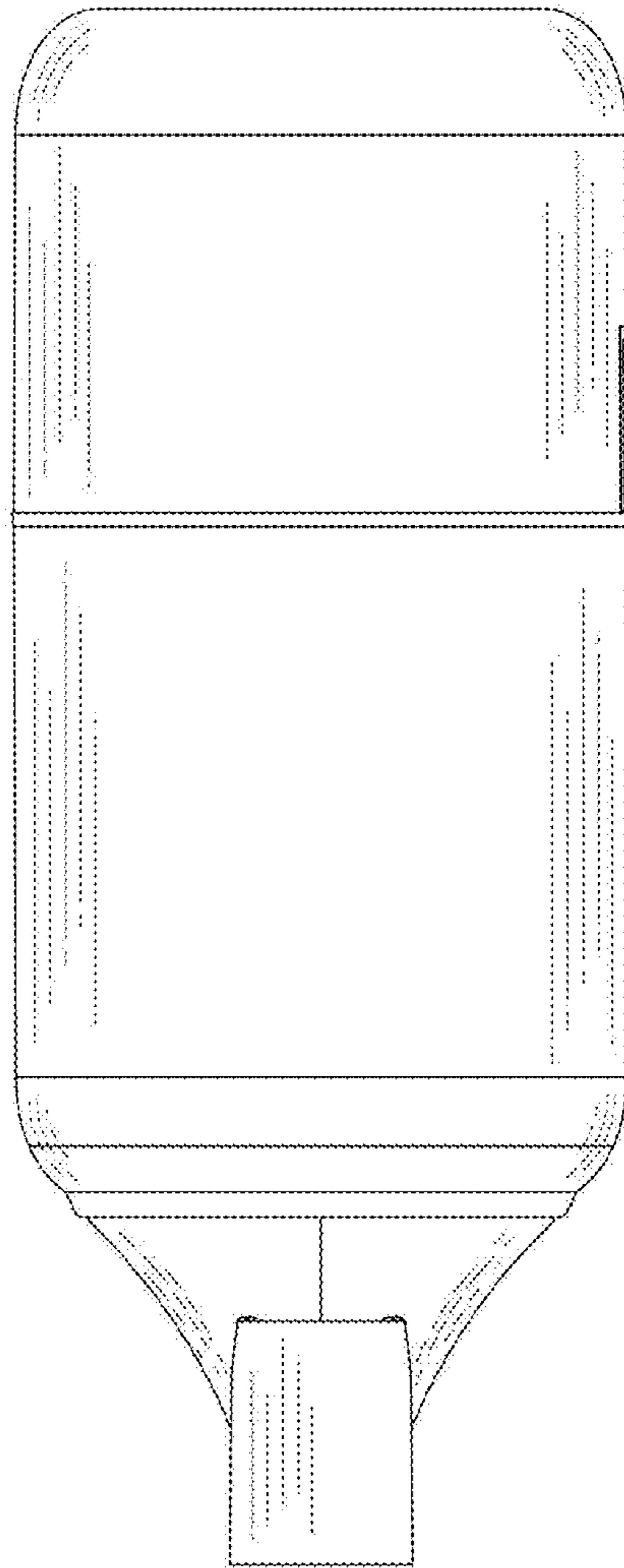


FIG. 7

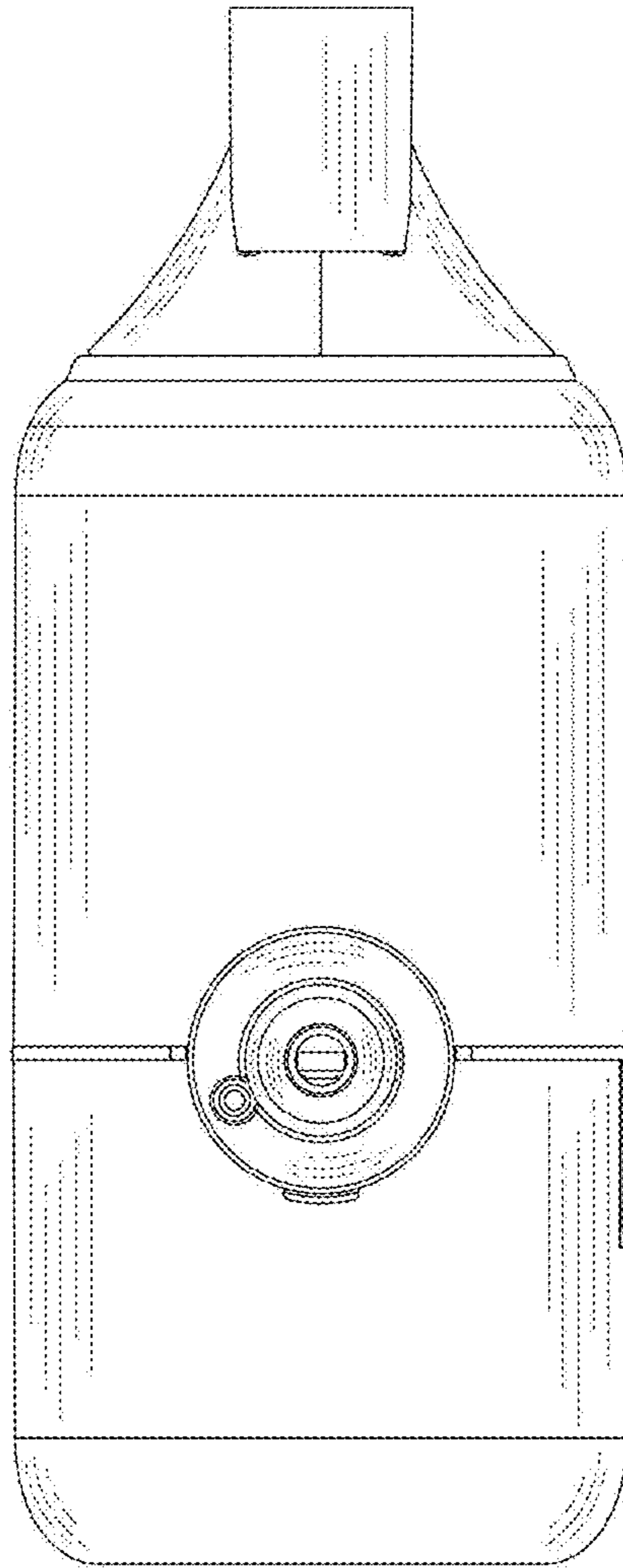


FIG. 8

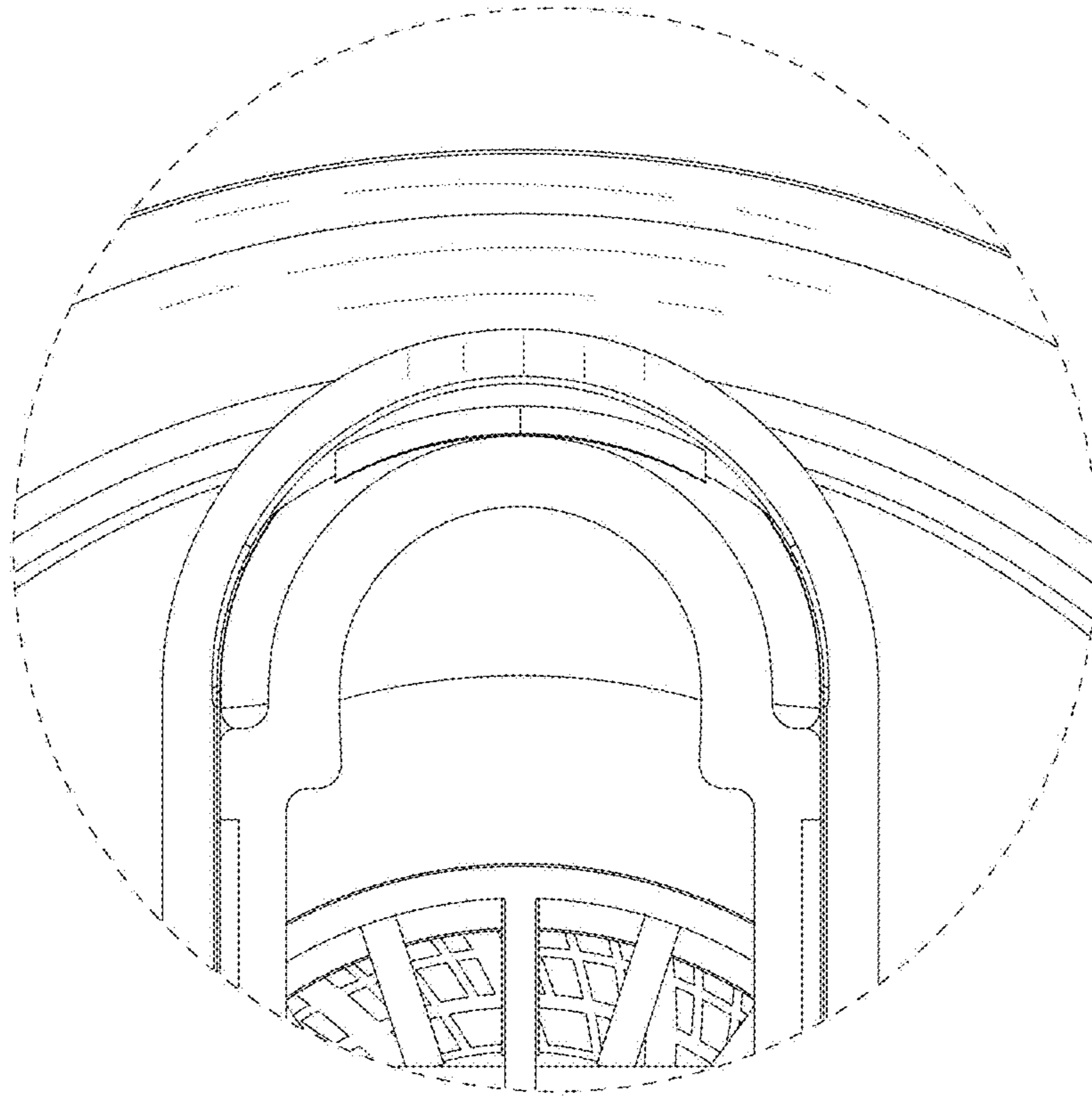


FIG. 9

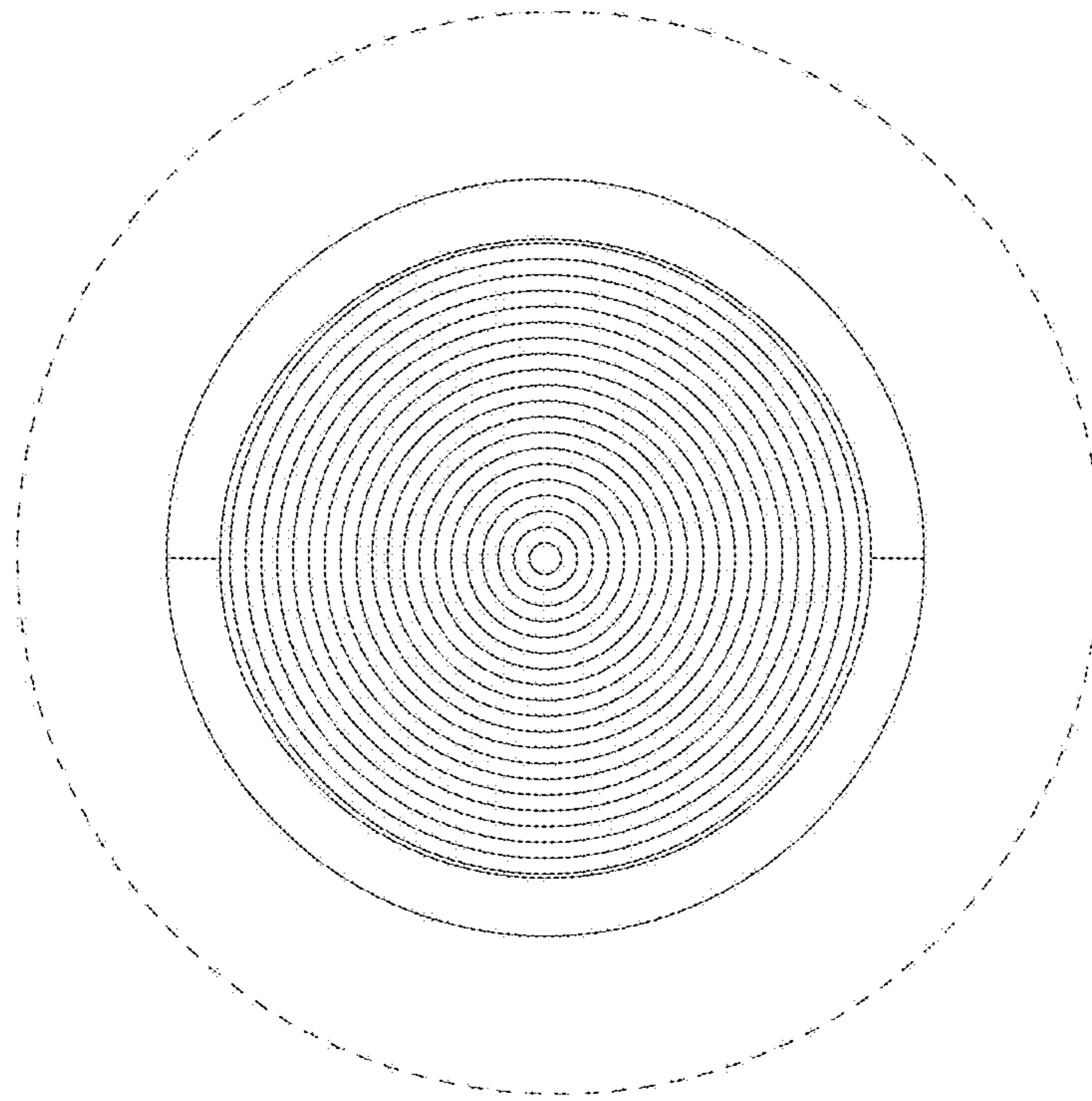


FIG. 10