



US00D984737S

(12) **United States Design Patent** (10) **Patent No.:** **US D984,737 S**
Passantino et al. (45) **Date of Patent:** **** Apr. 25, 2023**

(54) **SMOKE LID**
(71) Applicant: **Digital Distillery LLC**, North Kansas City, MO (US)
(72) Inventors: **James Patrick Passantino**, Lenexa, KS (US); **JinChen Li**, Liberty, MO (US); **Aaron Wilt**, Parkville, MO (US)
(73) Assignee: **Digital Distillery LLC**, North Kansas City, MO (US)
(**) Term: **15 Years**
(21) Appl. No.: **29/832,869**
(22) Filed: **Mar. 30, 2022**
(51) **LOC (14) Cl.** **27-99**
(52) **U.S. Cl.**
USPC **D27/196**
(58) **Field of Classification Search**
USPC D27/196, 102, 193, 194; D7/538, 540, D7/542, 391, 392.1, 387; D9/780
CPC A23B 4/044; A23B 4/052
See application file for complete search history.

D873,970 S * 1/2020 Park D23/262
D879,551 S * 3/2020 Byrd D7/392.1
D885,112 S 5/2020 Young et al.
D897,207 S * 9/2020 Marino D9/452
D907,430 S * 1/2021 Pentelovitch D7/391
(Continued)

OTHER PUBLICATIONS

Cocktail Smoker Kit with Torch By: Double Oak Essentials Store found on Amazon (Sep. 26, 2022) https://www.amazon.com/Cocktail-Smoker-Double-Oak-Essentials/dp/B09W8G5GG9/ref=pd_lpo_3?pd_rd_i=B09W8G5GG9&psc=1 (Jul. 20, 2022).*
(Continued)

Primary Examiner — Rebecca Tsehaye
(74) *Attorney, Agent, or Firm* — Hovey Williams LLP

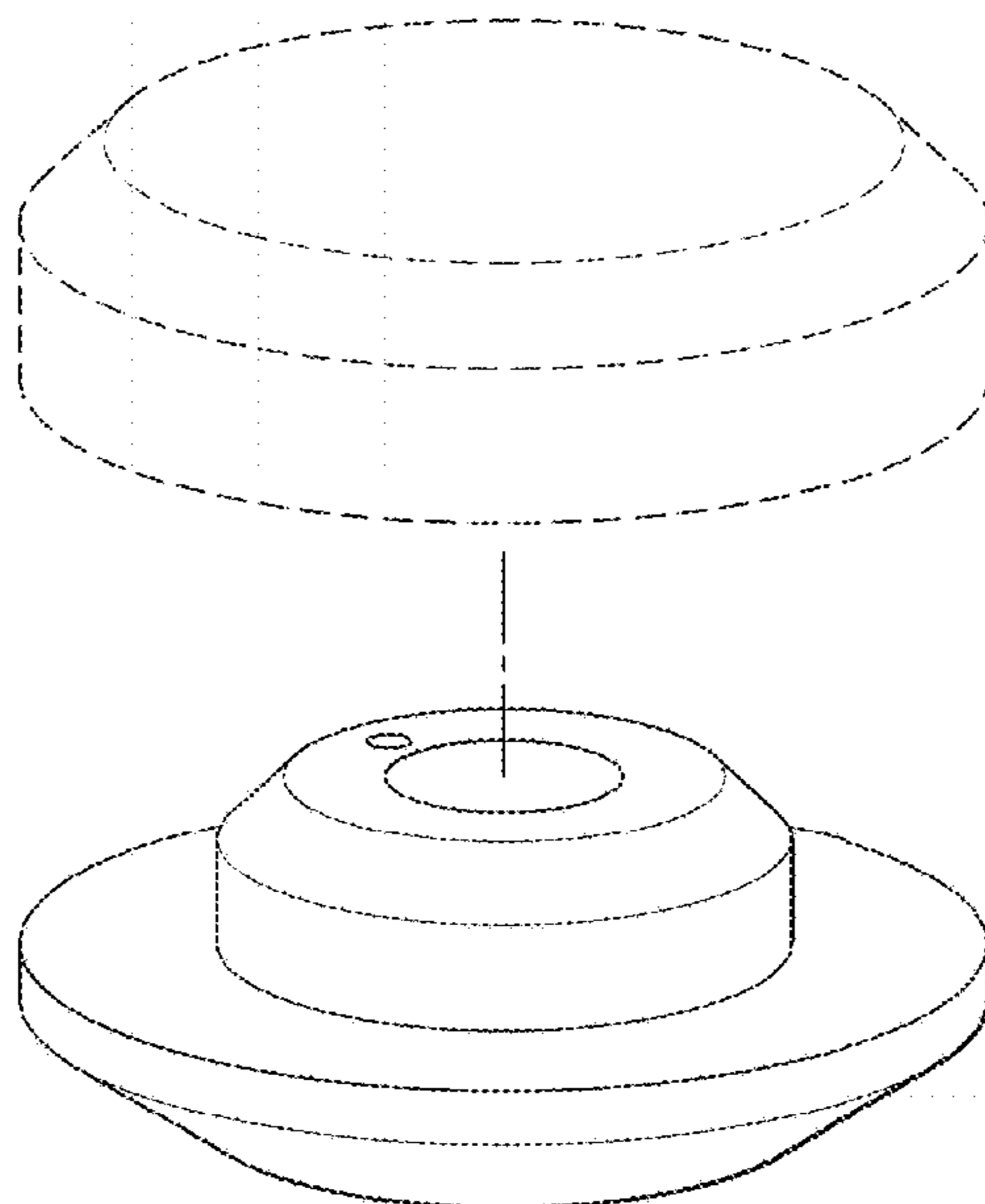
(57) **CLAIM**
The ornamental design for a smoke lid, as shown and described.

DESCRIPTION

This application is being filed contemporaneously with application for U.S. Design application Ser. No. 29/832,874, filed Mar. 30, 2022 entitled Smoke Barrel, which is hereby incorporated by reference herein.
FIG. 1 is an exploded upper perspective view of the smoke lid showing our new design;
FIG. 2 is an exploded lower perspective view thereof;
FIG. 3 is an upper perspective view thereof;
FIG. 4 is a lower perspective view thereof;
FIG. 5 is a front elevational view thereof, wherein the right elevation view is an identical image thereof;
FIG. 6 is a top view thereof;
FIG. 7 is a bottom view thereof; and,
FIG. 8 is a cross-sectional view of the smoke lid taken along line 8-8 in FIG. 6.
The broken lines in the drawings illustrate environmental subject matter only that forms no part of the claimed design.

1 Claim, 6 Drawing Sheets

(56) **References Cited**
U.S. PATENT DOCUMENTS
459,646 A 9/1891 Pleukharp
611,003 A 9/1898 Roth
D133,722 S 9/1942 Ladd
3,259,055 A 7/1966 Labs
3,372,633 A 3/1968 Horiander, Jr.
3,842,723 A 10/1974 Boucher
D531,036 S * 10/2006 Bried D9/504
D604,642 S * 11/2009 Di Robilant D9/780
D618,500 S * 6/2010 Hardaway D7/505
8,181,408 B1 5/2012 Triglia
D795,182 S * 8/2017 Akana D13/108
D834,879 S * 12/2018 Krivos D7/391
D872,015 S * 1/2020 Choi D13/108



(56)

References Cited

U.S. PATENT DOCUMENTS

D908,002 S * 1/2021 Bontrager D7/391
D924,478 S * 7/2021 Agrawal D9/440
D948,959 S * 4/2022 Tsai D7/397
2012/0227842 A1 9/2012 Griffiths et al.
2015/0096448 A1* 4/2015 Wingerd A23B 4/052
99/482
2021/0068409 A1* 3/2021 Sumner A23B 4/052

OTHER PUBLICATIONS

Amazon.com: 1,5L Oak Aging Barrels, available Feb. 10, 2022
online: [www.amazon.com/Barrels-Whiskey-Barrel-Dispenser-Spirits/
dp/B07QBXP46/ref=asc_df_B07QBXP46/?tag=hyprod-20](http://www.amazon.com/Barrels-Whiskey-Barrel-Dispenser-Spirits/dp/B07QBXP46/ref=asc_df_B07QBXP46/?tag=hyprod-20).

* cited by examiner

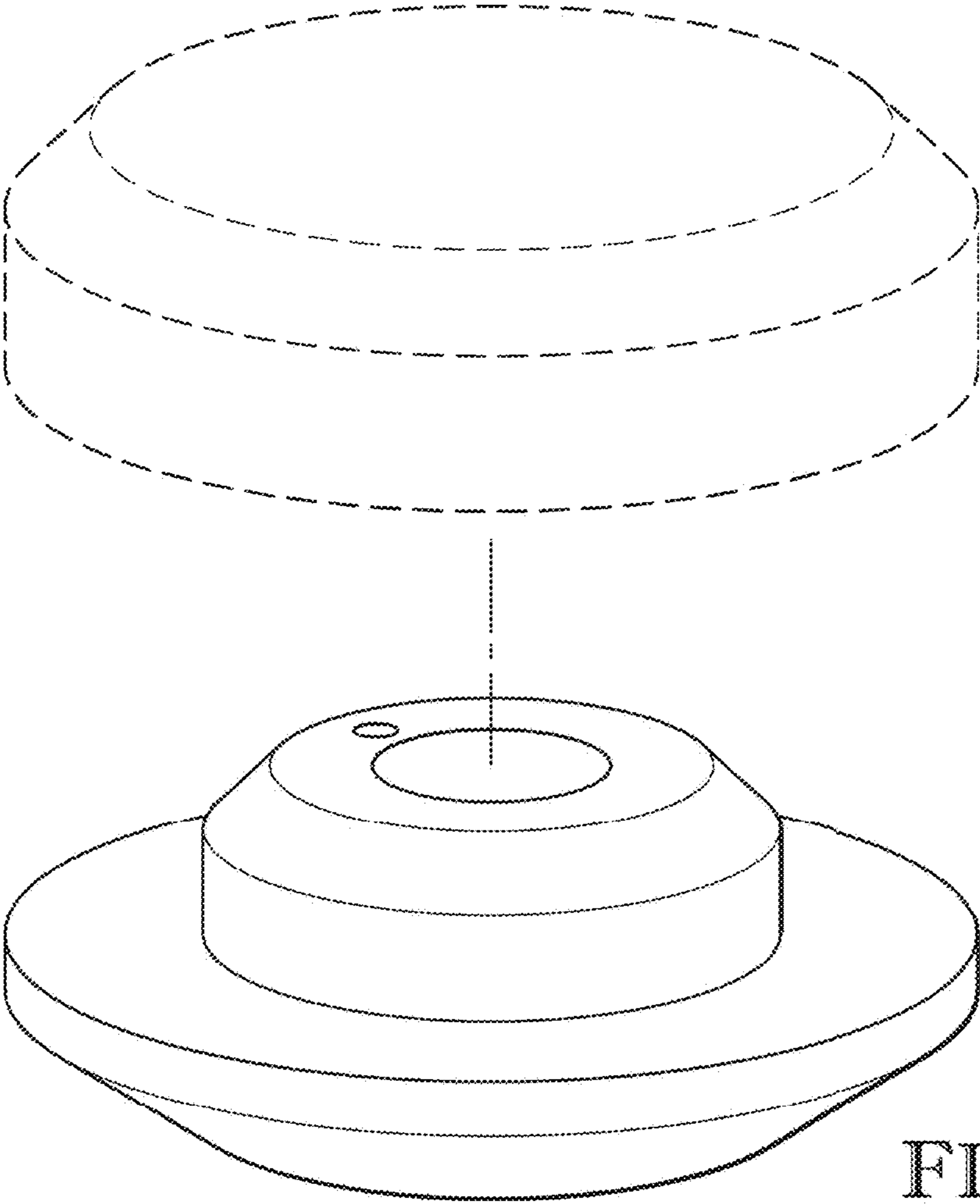


FIG. 1

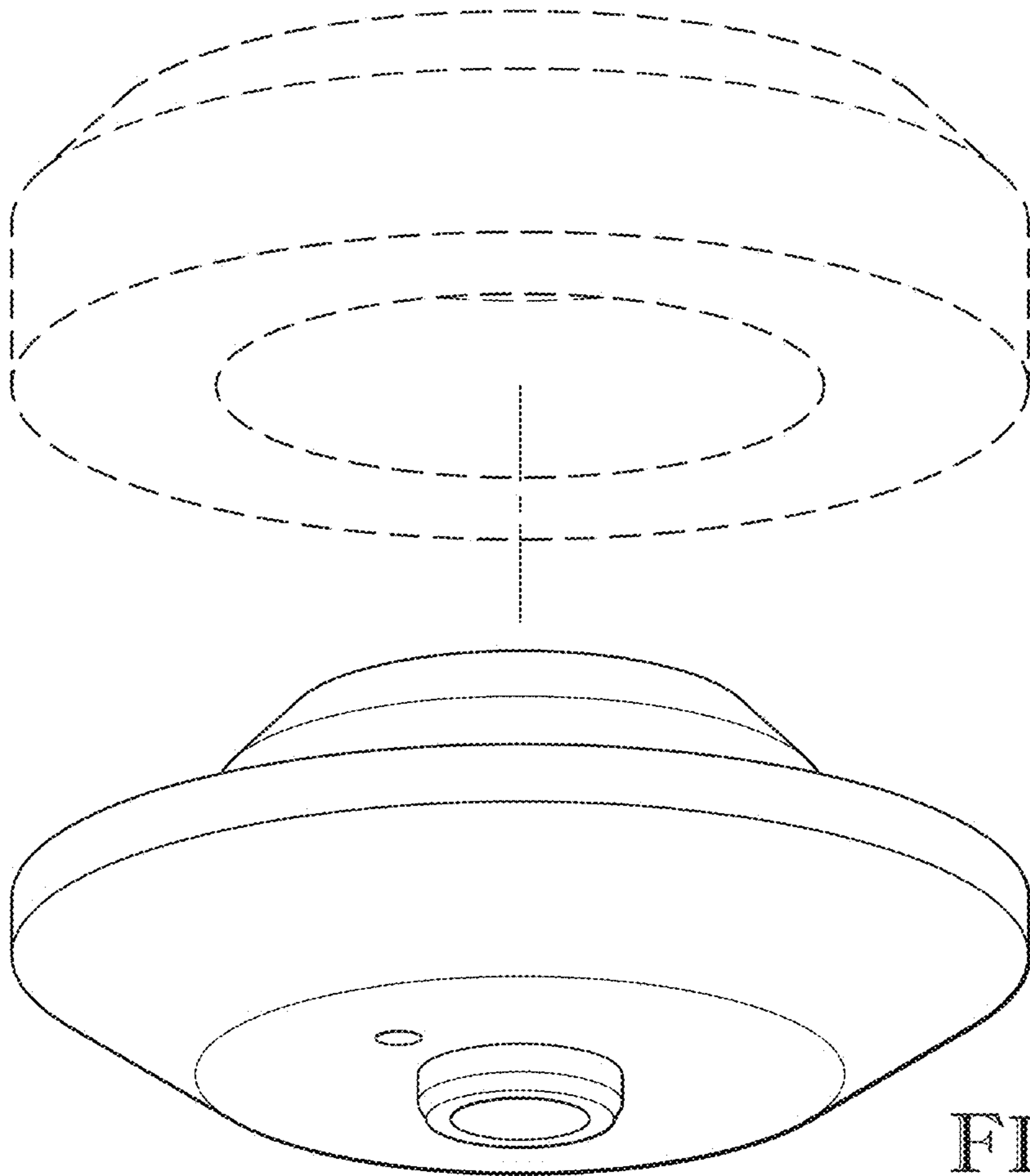


FIG. 2

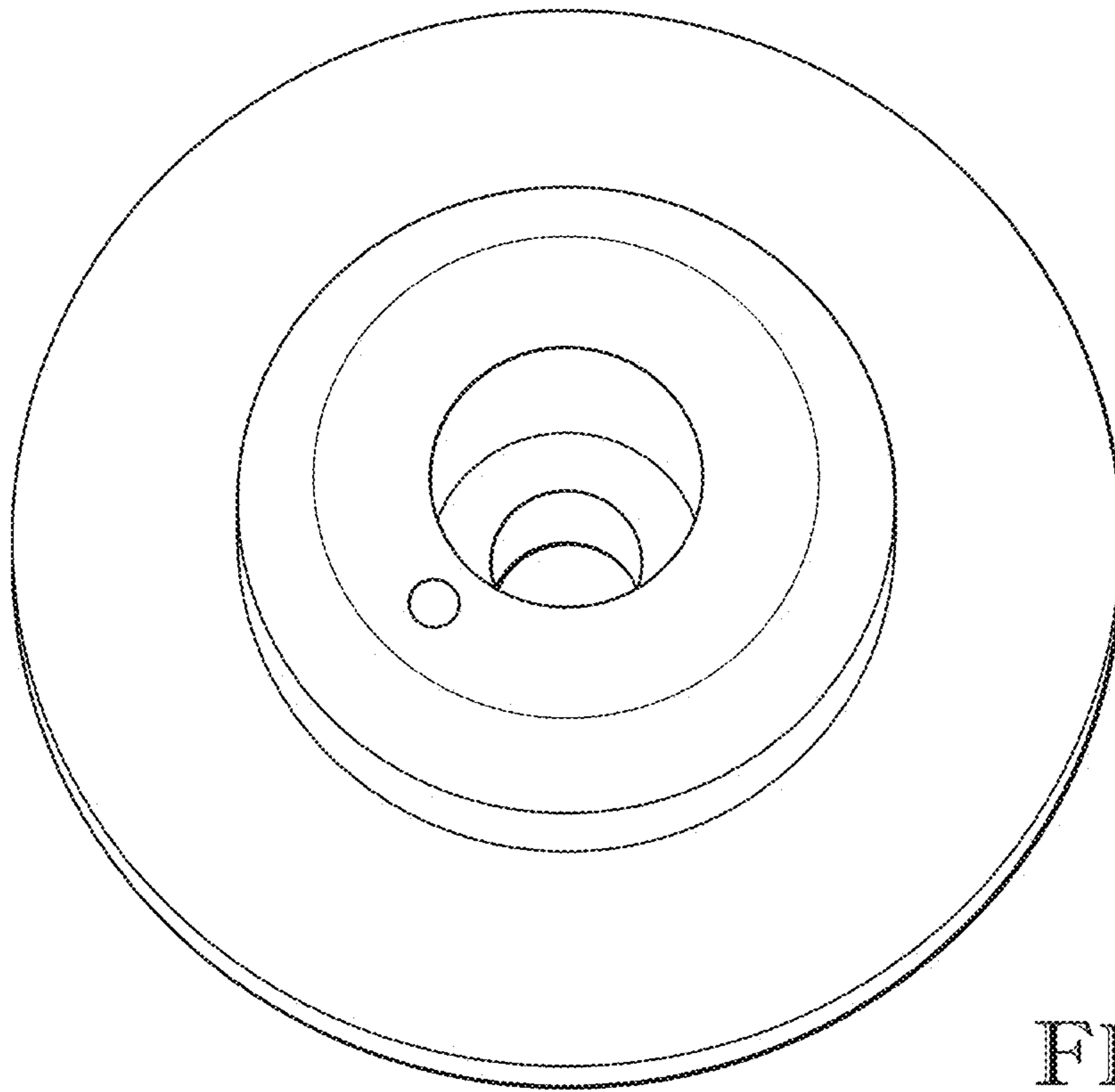


FIG. 3

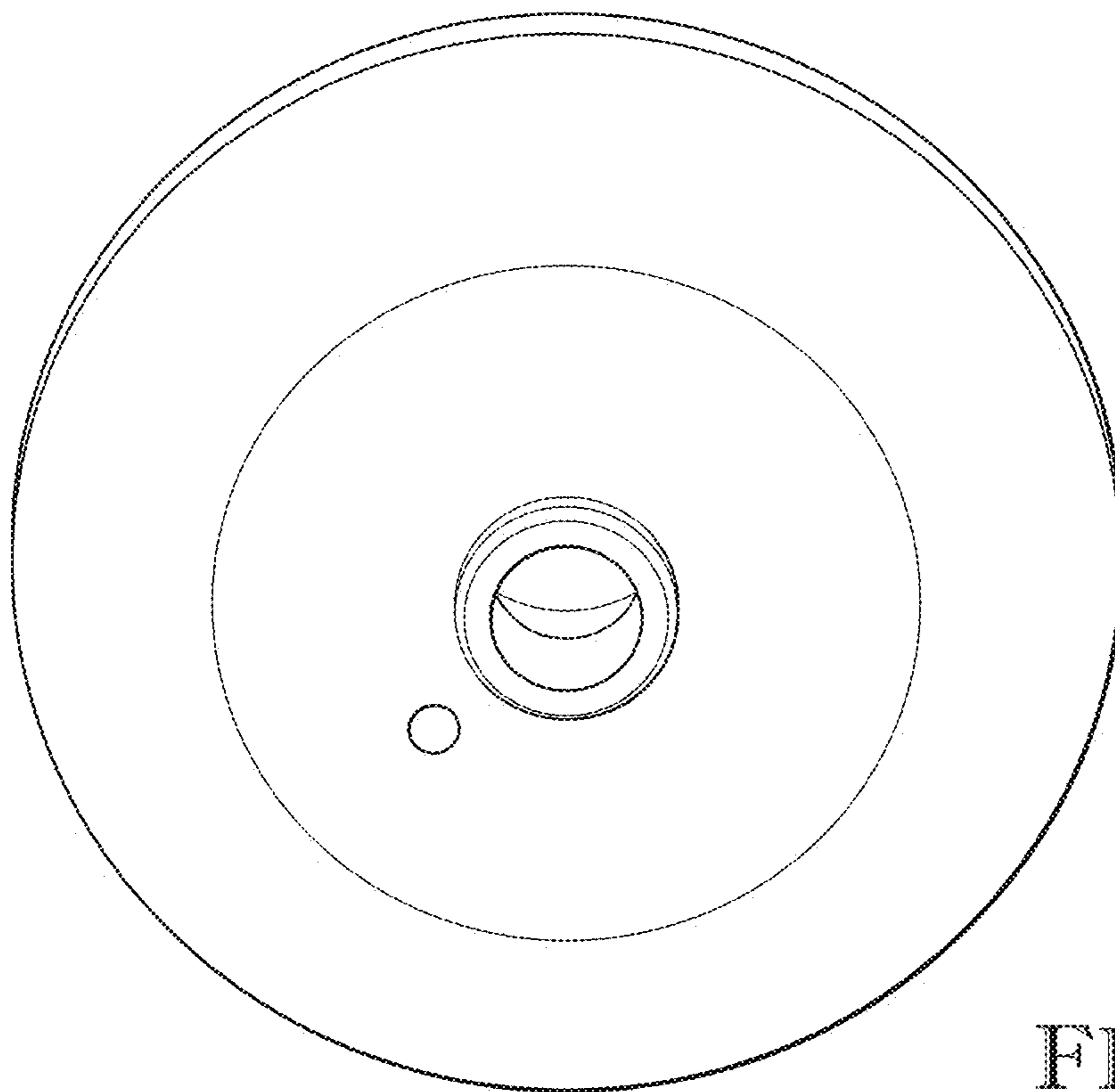


FIG. 4

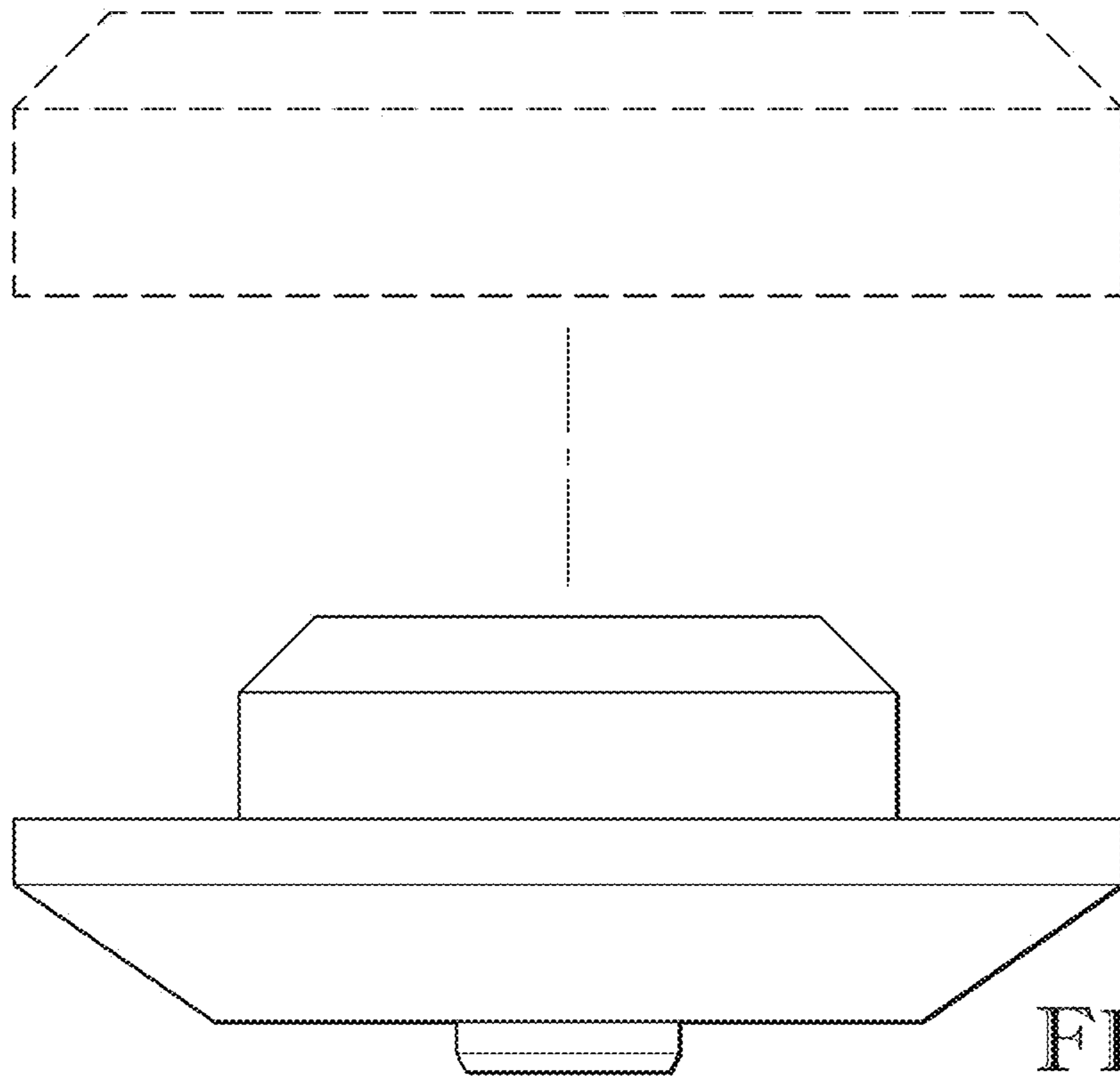


FIG. 5

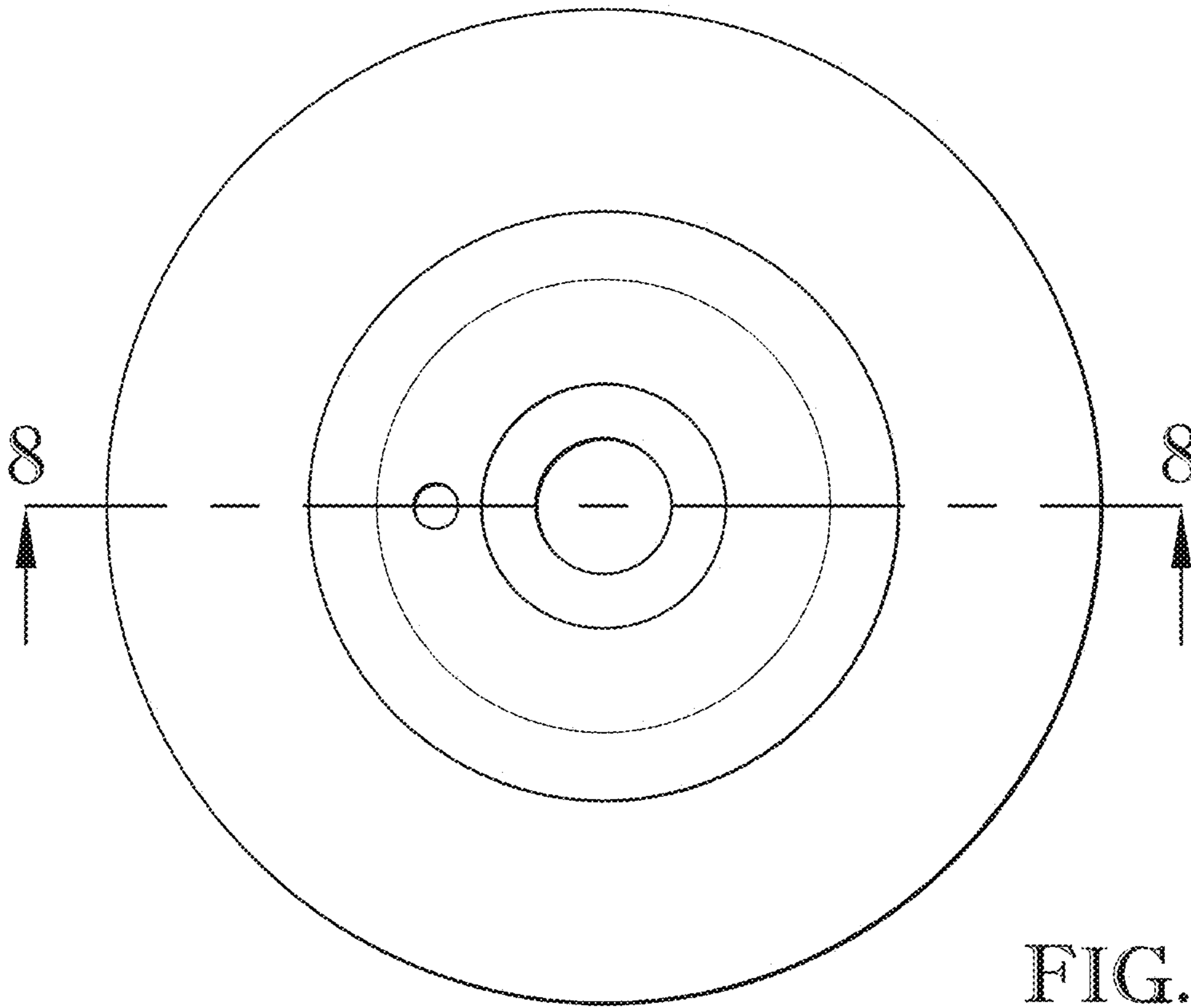


FIG. 6

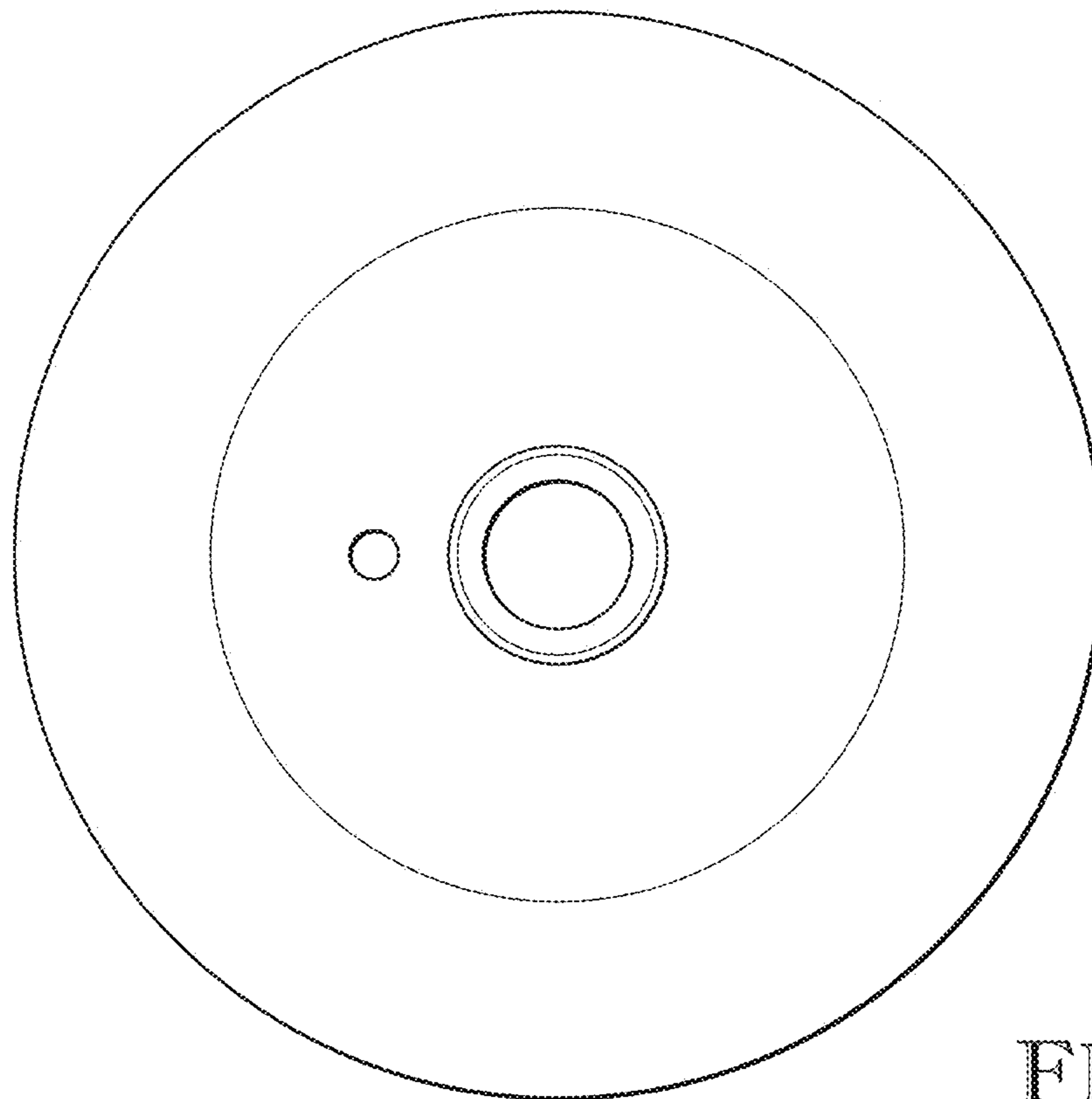


FIG. 7

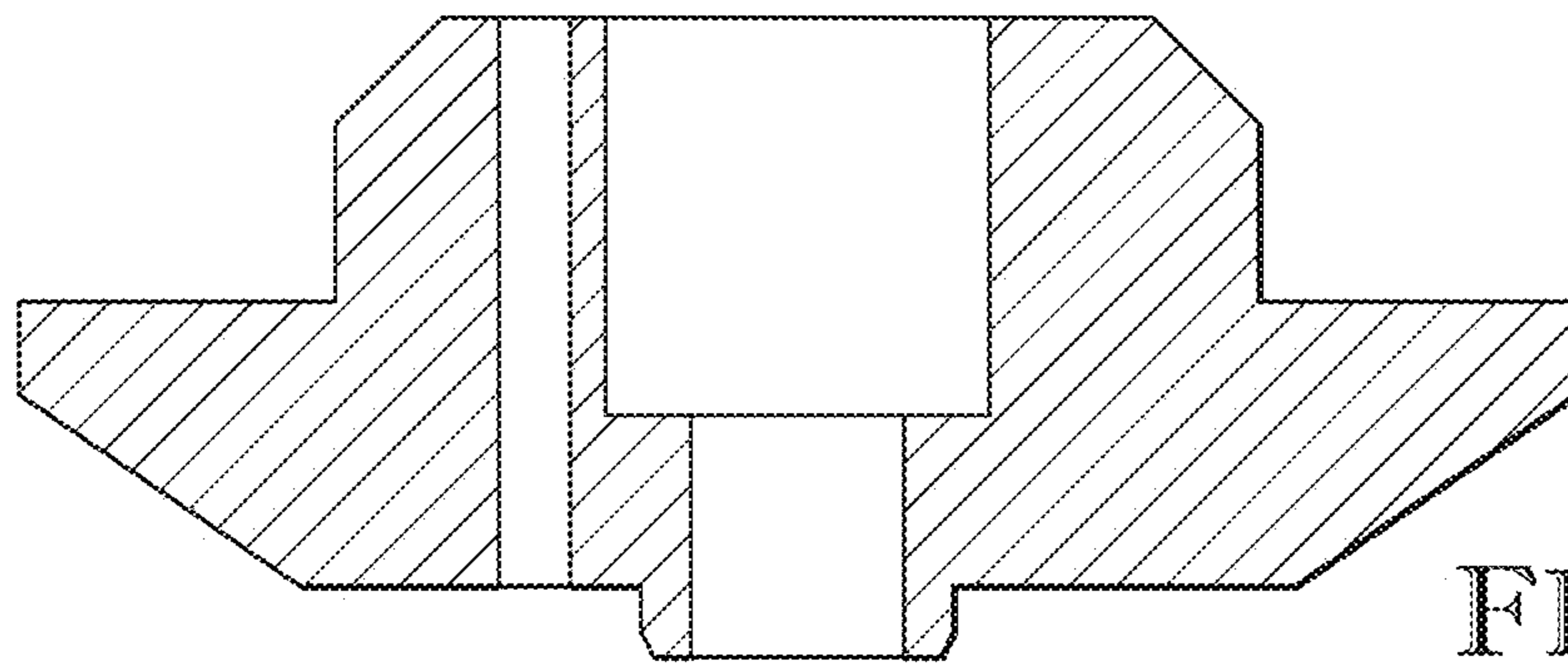


FIG. 8