



US00D984734S

(12) **United States Design Patent**
Jin

(10) **Patent No.:** **US D984,734 S**
(45) **Date of Patent:** **** Apr. 25, 2023**

(54) **CIGARETTE PACKET**

(71) Applicants: **Shanghai New Tobacco Product Research Institute Co., Ltd.**, Shanghai (CN); **Shanghai Tobacco Group Co., Ltd.**, Shanghai (CN)

(72) Inventor: **Zhaodan Jin**, Shanghai (CN)

(73) Assignees: **Shanghai Tobacco Group Co., Ltd.**, Shanghai (CN); **Shanghai New Tobacco Product Research Institute Co., Ltd.**, Shanghai (CN)

(**) Term: **15 Years**

(21) Appl. No.: **29/786,105**

(22) Filed: **May 28, 2021**

(30) **Foreign Application Priority Data**

Dec. 1, 2020 (CN) 202030734064.0

(51) **LOC (14) Cl.** **27-06**

(52) **U.S. Cl.**
USPC **D27/172**

(58) **Field of Classification Search**
USPC D27/172, 101, 183, 186, 187, 189, 191;
D3/274; D7/629; D9/643, 648, 414-418,
D9/430, 432, 420, 423, 422
CPC A24F 15/12; B65D 85/10; B65D 85/1045;
B65D 85/1056; B65D 85/08
See application file for complete search history.

(56) **References Cited**

U.S. PATENT DOCUMENTS

3,976,194 A * 8/1976 Loredo B65D 85/109
206/87
D296,938 S * 7/1988 Ameringen D9/423
D319,975 S * 9/1991 Mallon D9/418
5,833,060 A * 11/1998 Draghetti B65D 85/1048
206/268
D462,139 S * 8/2002 Sagmeister D27/189

D487,532 S * 3/2004 Draghetti D27/189
D492,814 S * 7/2004 Bray D27/189
D492,815 S * 7/2004 Bray D27/189
D500,387 S * 12/2004 Draghetti D27/189
D503,827 S * 4/2005 Cahill D27/189
D578,385 S * 10/2008 Ancona D9/423

(Continued)

OTHER PUBLICATIONS

Cigarette Holder and Pack Case By: Visol found on Amazon (Dec. 15, 2022) https://www.amazon.com/Visol-Silicon-Reusable-Non-Toxic-Cigarette/dp/B076FCMV9X/ref=sr_1_29?crd=XNBBRUMIYIET&keywords=cigarette%2Bpacket&qid= (Oct. 12, 2017).*

Primary Examiner — Rebecca Tsehaye

(74) *Attorney, Agent, or Firm* — Taft Stettinius & Hollister LLP

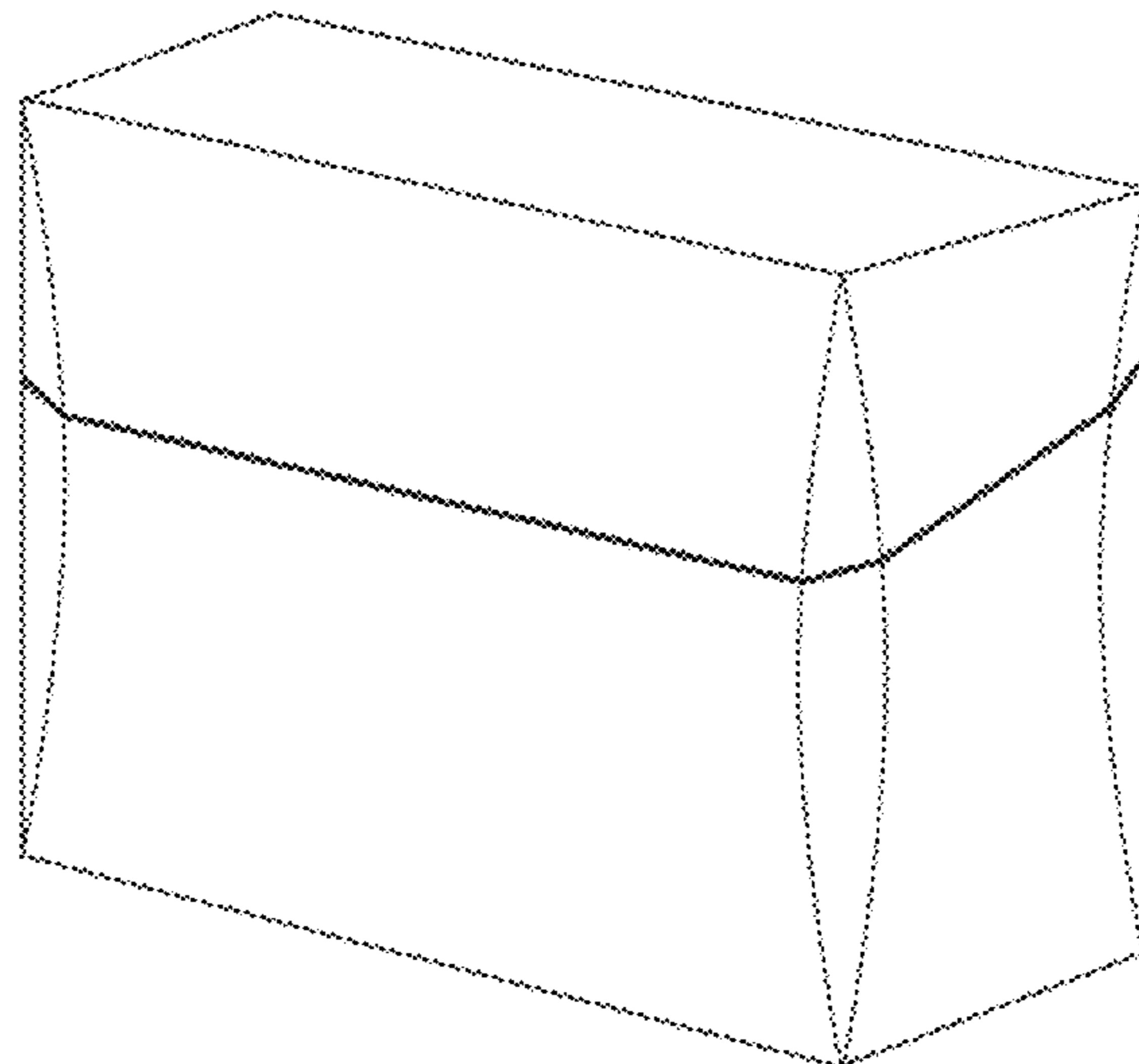
(57) **CLAIM**

The ornamental design for a cigarette packet, as shown and described.

DESCRIPTION

FIG. 1 is a front top perspective view of a cigarette packet of the present invention.
FIG. 2 is a back top perspective view of a cigarette packet of the present invention.
FIG. 3 is a front view of a cigarette packet of the present invention.
FIG. 4 is a rear view of a cigarette packet of the present invention.
FIG. 5 is a left view of a cigarette packet of the present invention.
FIG. 6 is a right view of a cigarette packet of the present invention.
FIG. 7 is a top view of a cigarette packet of the present invention; and,
FIG. 8 is a bottom view of a cigarette packet of the present invention.

1 Claim, 5 Drawing Sheets



(56)

References Cited

U.S. PATENT DOCUMENTS

7,455,177 B2 * 11/2008 Serafini B65D 75/5833
206/268
D591,898 S * 5/2009 McKenzie D27/189
D591,899 S * 5/2009 Bray D27/189
D598,745 S * 8/2009 Bohache D9/430
D607,318 S * 1/2010 Collins B65D 85/10
D9/423
D675,916 S * 2/2013 Villiers D9/431
D775,944 S * 1/2017 Marchitto B65D 5/6694
D9/414
D833,065 S * 11/2018 Alarcon D27/186
D847,660 S * 5/2019 Schumaker D9/416
D877,972 S * 3/2020 Kahawaiolaa D27/101
D909,865 S * 2/2021 Yeung D27/189
D936,475 S * 11/2021 Kahawaiolaa D9/420
2014/0305821 A1 * 10/2014 Gibson B65D 5/5415
206/268

* cited by examiner

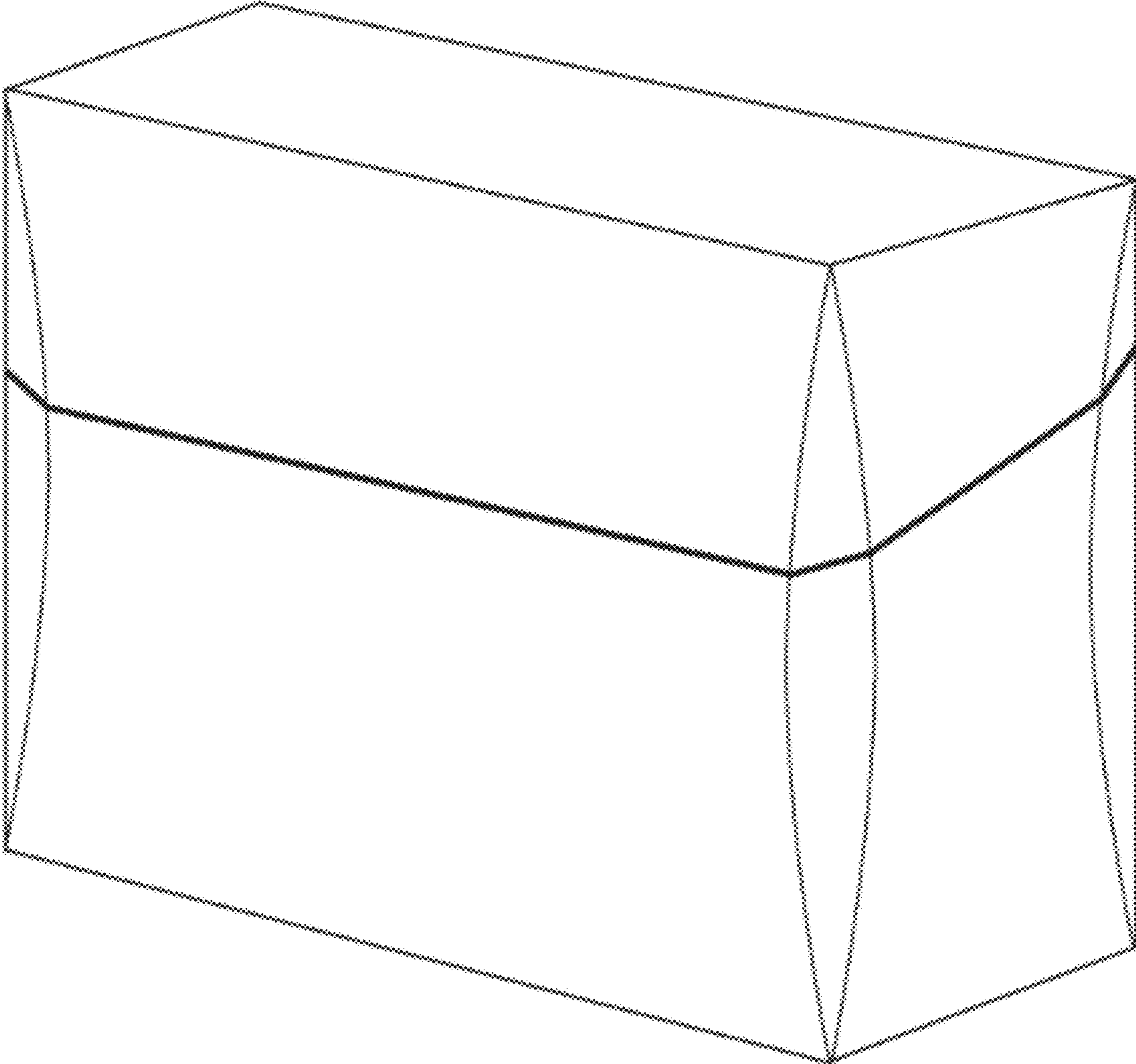


FIG. 1

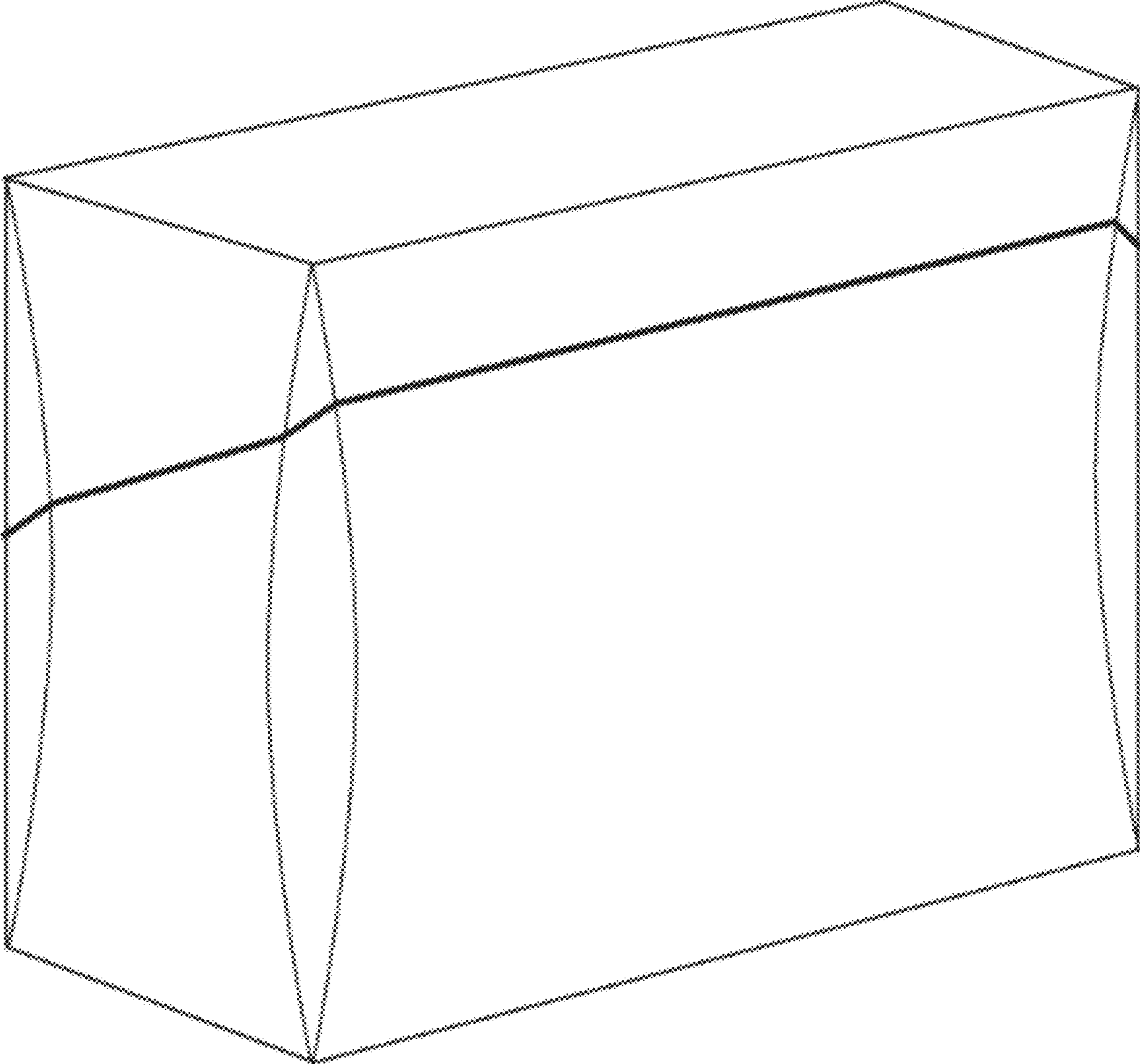


FIG. 2

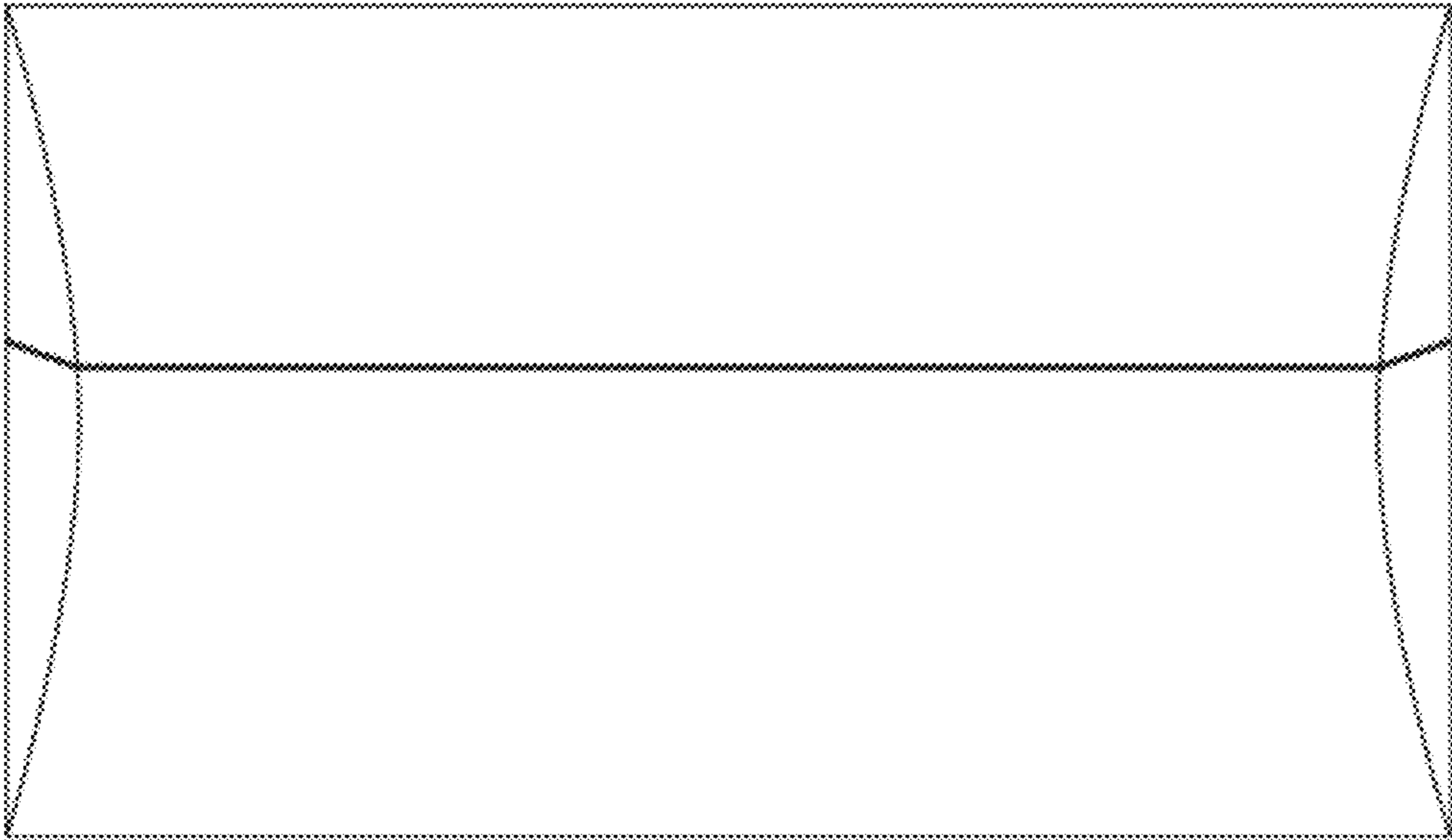


FIG. 3

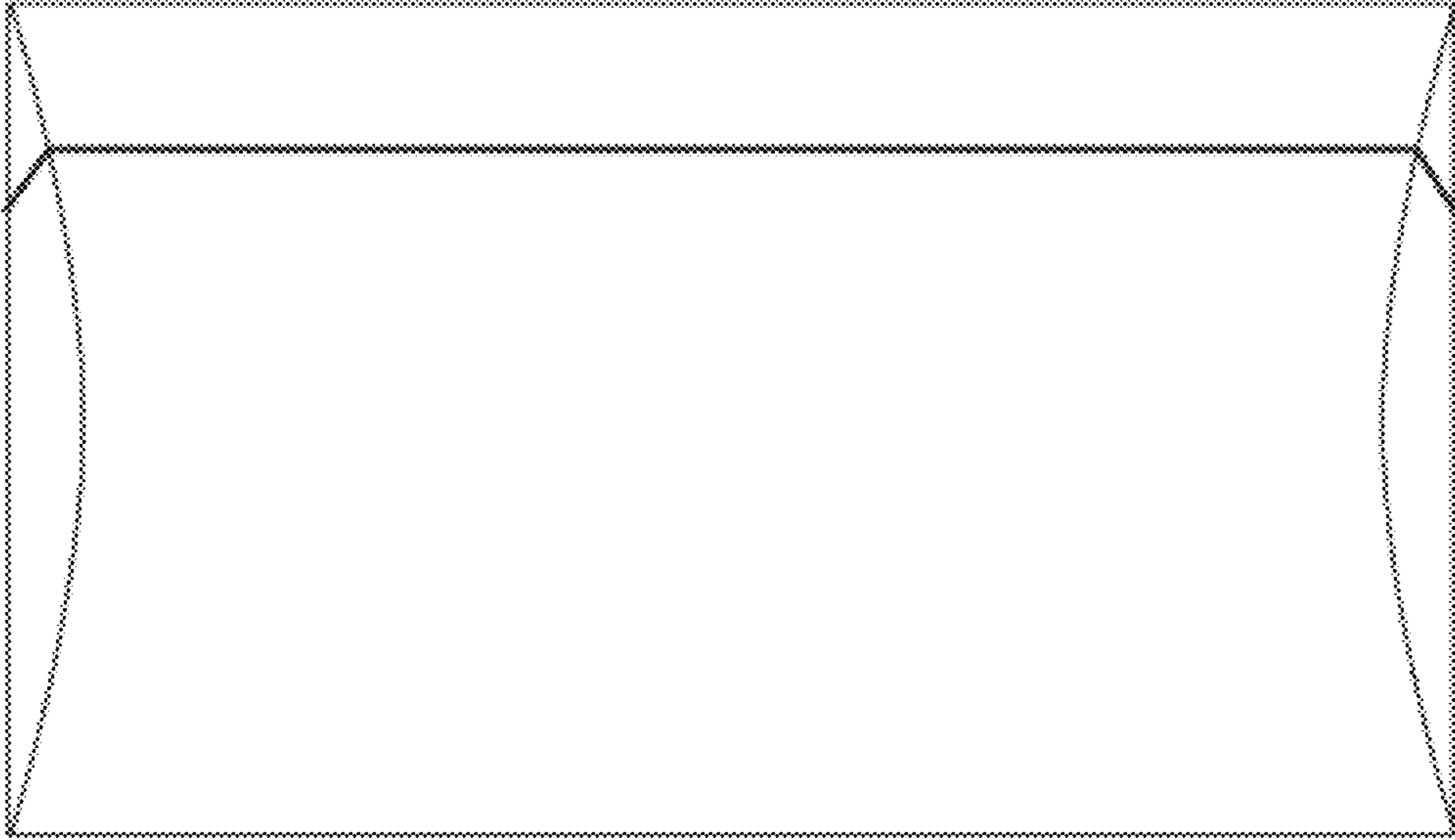


FIG. 4

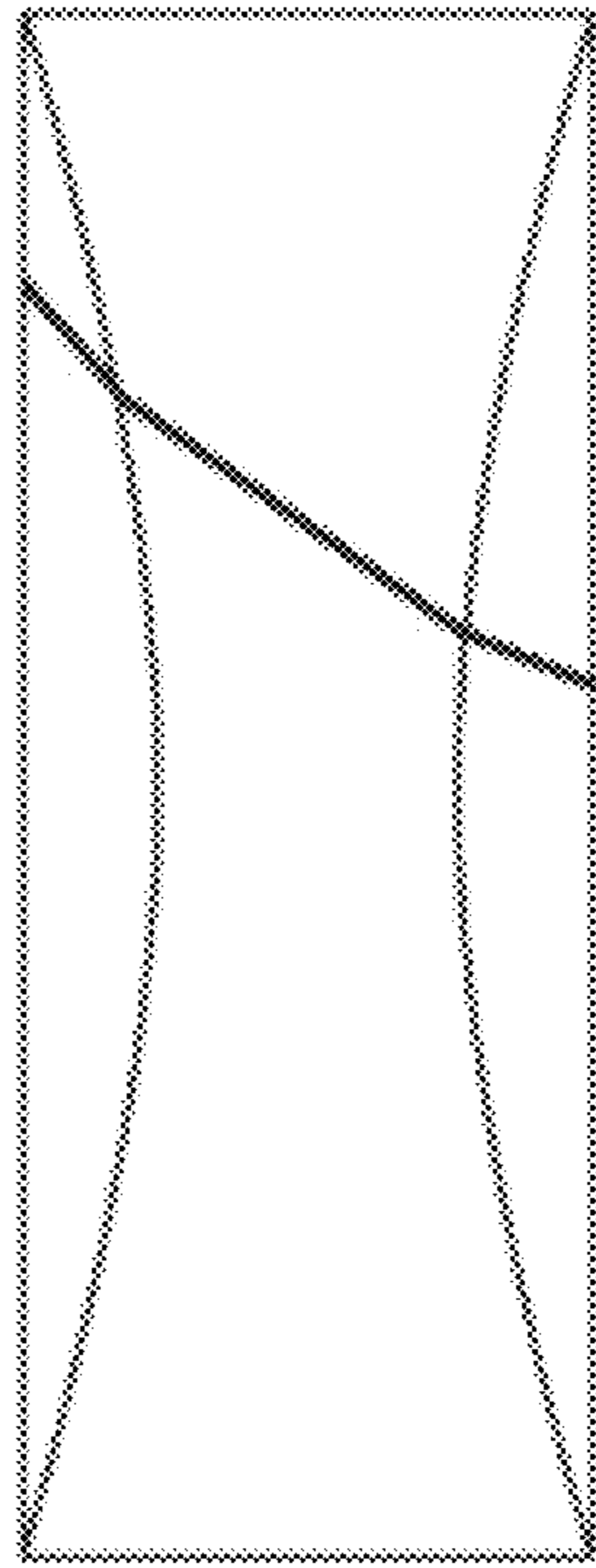


FIG. 5

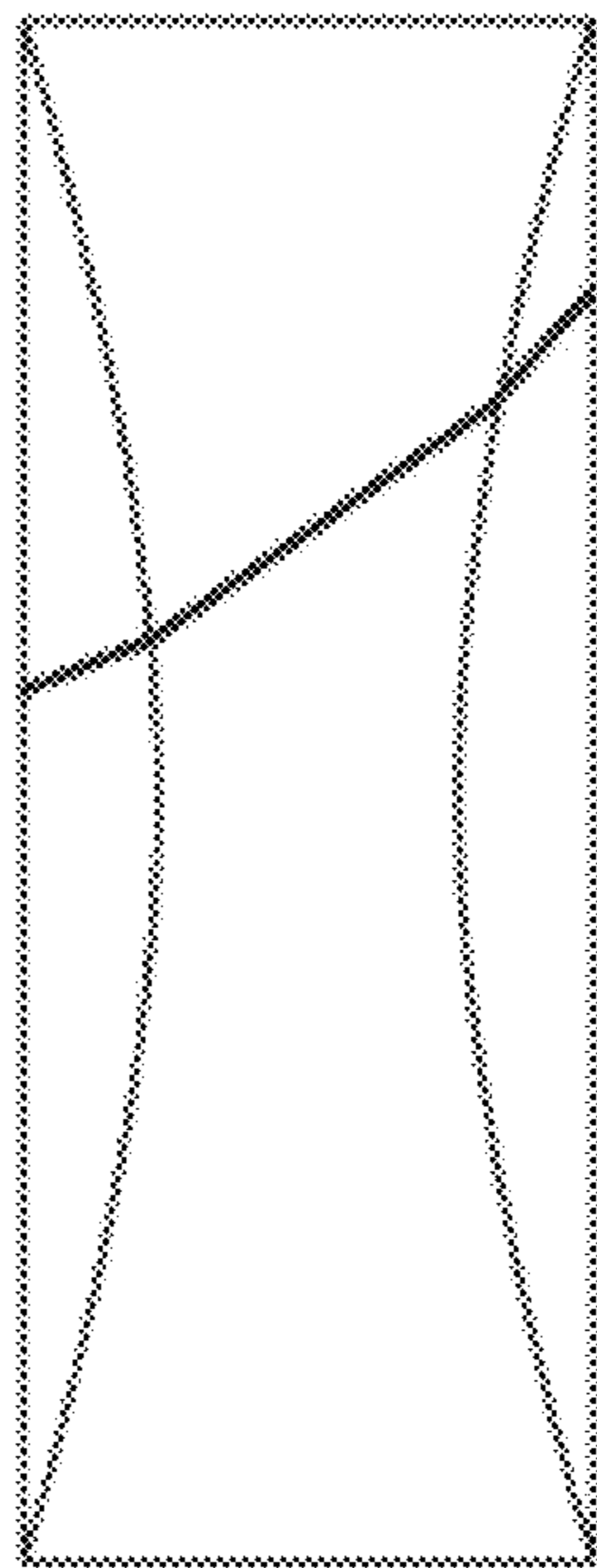


FIG. 6



FIG. 7

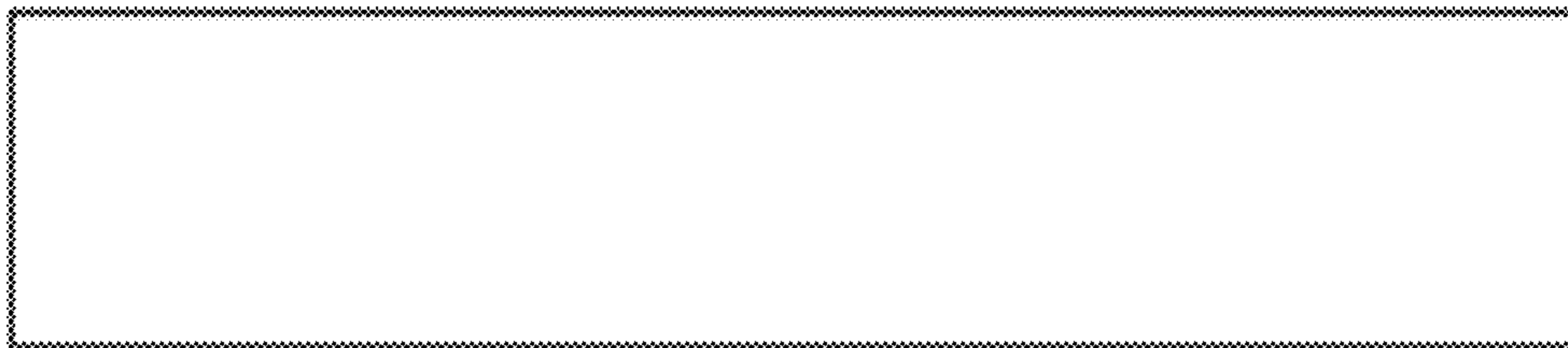


FIG. 8