



US00D984733S

(12) **United States Design Patent**  
**Qian**

(10) **Patent No.:** **US D984,733 S**  
(45) **Date of Patent:** **\*\* Apr. 25, 2023**

- (54) **HOOKAH**
- (71) Applicant: **Jingjiang Shuangxin New Energy Co. Ltd.**, Jiangsu (CN)
- (72) Inventor: **Fangxia Qian**, Guangdong (CN)
- (\*\*) Term: **15 Years**
- (21) Appl. No.: **29/870,832**
- (22) Filed: **Feb. 6, 2023**
- (51) **LOC (14) Cl.** ..... **27-02**
- (52) **U.S. Cl.**  
USPC ..... **D27/162**
- (58) **Field of Classification Search**  
USPC ..... D27/100, 103, 162-165, 167, 169, 172, D27/180, 183, 194; D23/360, 363, 366  
CPC .... A24F 1/30; A24F 1/00; A24F 40/00; A24F 40/10; A24F 40/20; A24F 40/40; A24F 40/42; A24F 40/44; A61M 15/00; A61M 15/001; A61M 15/0021  
See application file for complete search history.

D950,148 S	4/2022	Chen et al.	
D960,432 S	8/2022	Abboud et al.	
D960,438 S	8/2022	Touzjian	
D960,439 S	8/2022	Touzjian	
D960,440 S *	8/2022	Touzjian	D27/162
D965,212 S *	9/2022	Evans	D27/162
D970,804 S	11/2022	Rule et al.	
D976,481 S	1/2023	Liang	

**OTHER PUBLICATIONS**

Portable Cup Hookah Bundle By: Sunlight Charcoal found on Amazon (Mar. 1, 2023) <https://www.amazon.com/Portable-Cup-Hookah-Bundle-Everything/dp/B08ZLBXMN2?th=1> (Mar. 20, 2021).\*

\* cited by examiner

*Primary Examiner* — Rebecca Tsehaye

(57) **CLAIM**

The ornamental design for a hookah, as shown and described.

**DESCRIPTION**

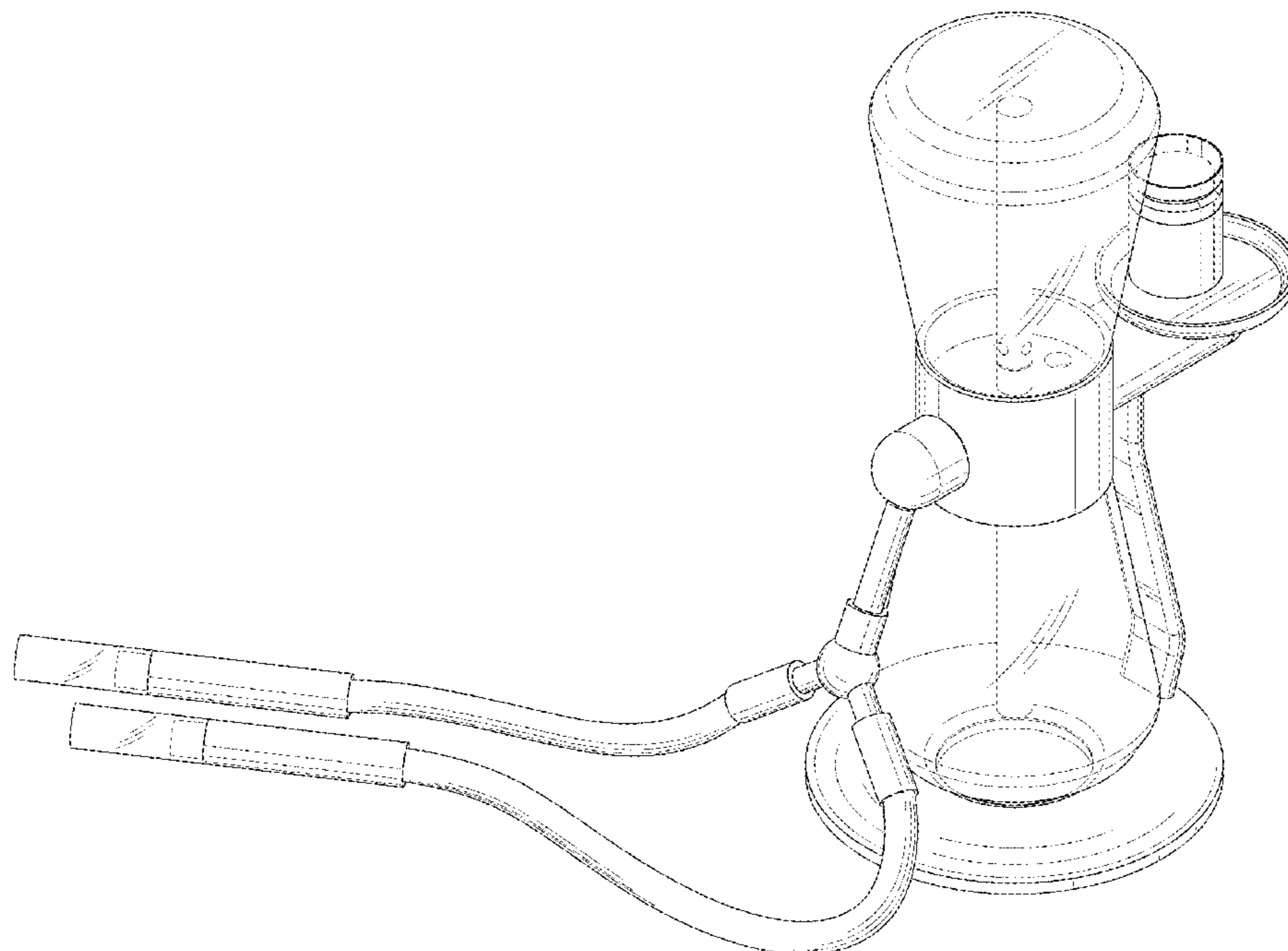
FIG. 1 is a top perspective view of a hookah showing my new design;  
 FIG. 2 is a bottom perspective view thereof;  
 FIG. 3 is a front view thereof;  
 FIG. 4 is a rear view thereof;  
 FIG. 5 is a left side view thereof;  
 FIG. 6 is a right side view thereof;  
 FIG. 7 is a top view thereof; and,  
 FIG. 8 is a bottom view thereof.  
 The broken lines in the drawings depict portions of the hookah that form no part of the claimed design.

**1 Claim, 8 Drawing Sheets**

(56) **References Cited**

**U.S. PATENT DOCUMENTS**

D742,587 S *	11/2015	Masri	D27/162
D754,914 S *	4/2016	Helou	D27/162
D754,915 S *	4/2016	Helou	D27/162
D755,439 S *	5/2016	Helou	D27/162
D844,231 S *	3/2019	Klimczyk	D27/162
D854,740 S *	7/2019	Opp	D27/162
D887,761 S *	6/2020	Xu	D7/300.1
10,869,498 B2 *	12/2020	Risolia	A24F 1/02
D916,364 S *	4/2021	Li	D27/162
D935,686 S	11/2021	Liang	
D943,163 S *	2/2022	Gibson	D27/162
D943,817 S	2/2022	Rule et al.	



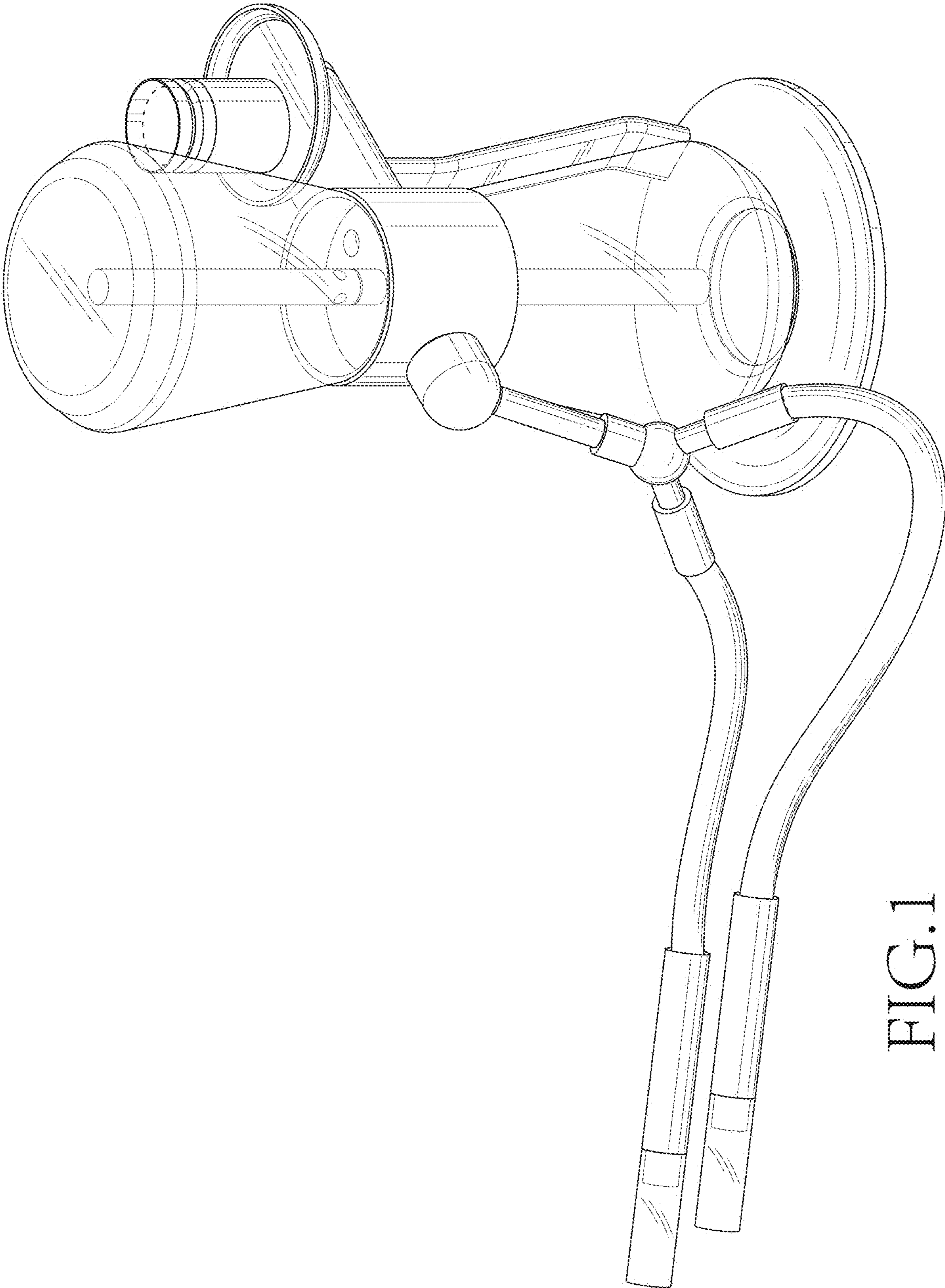


FIG.1

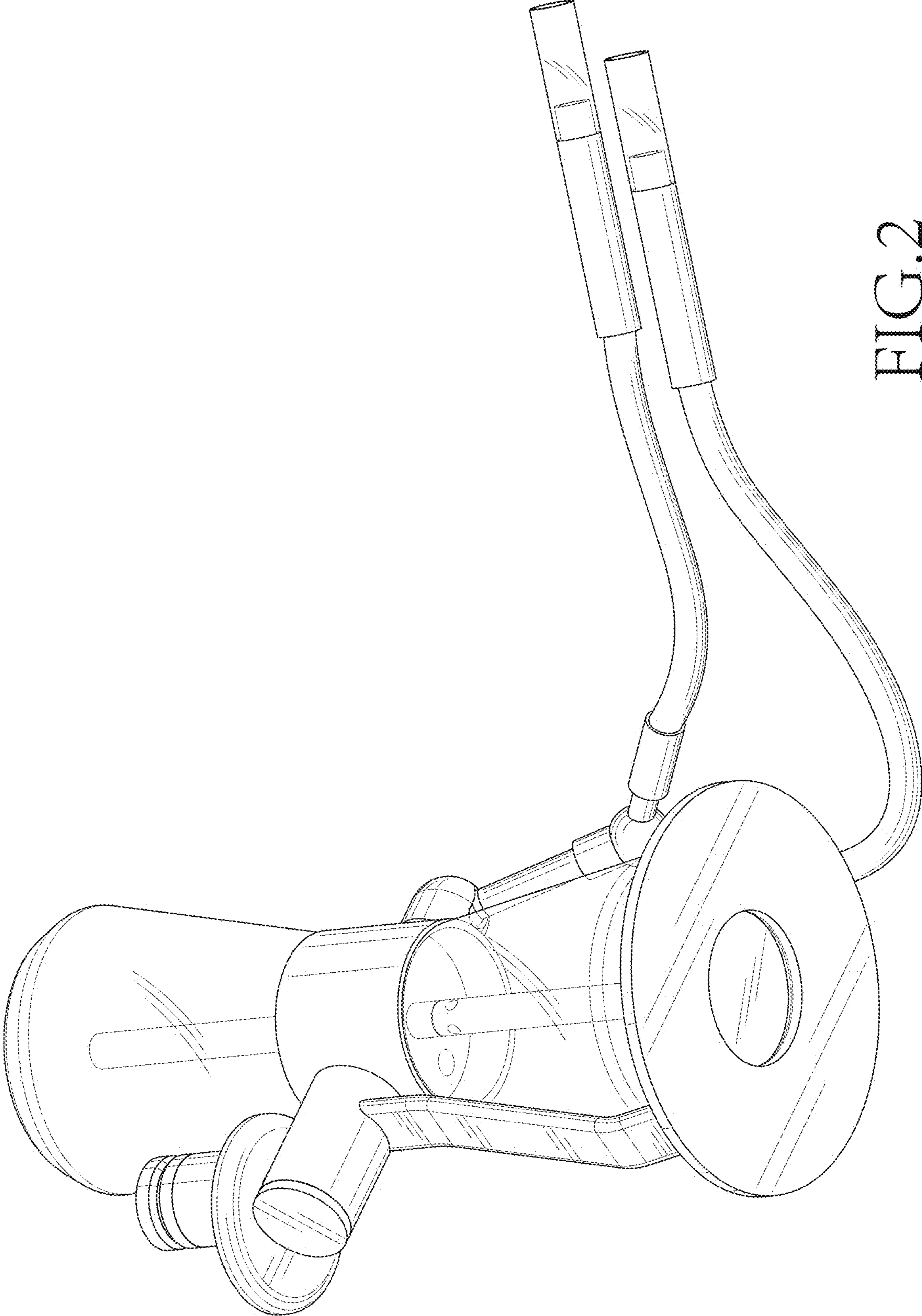


FIG. 2



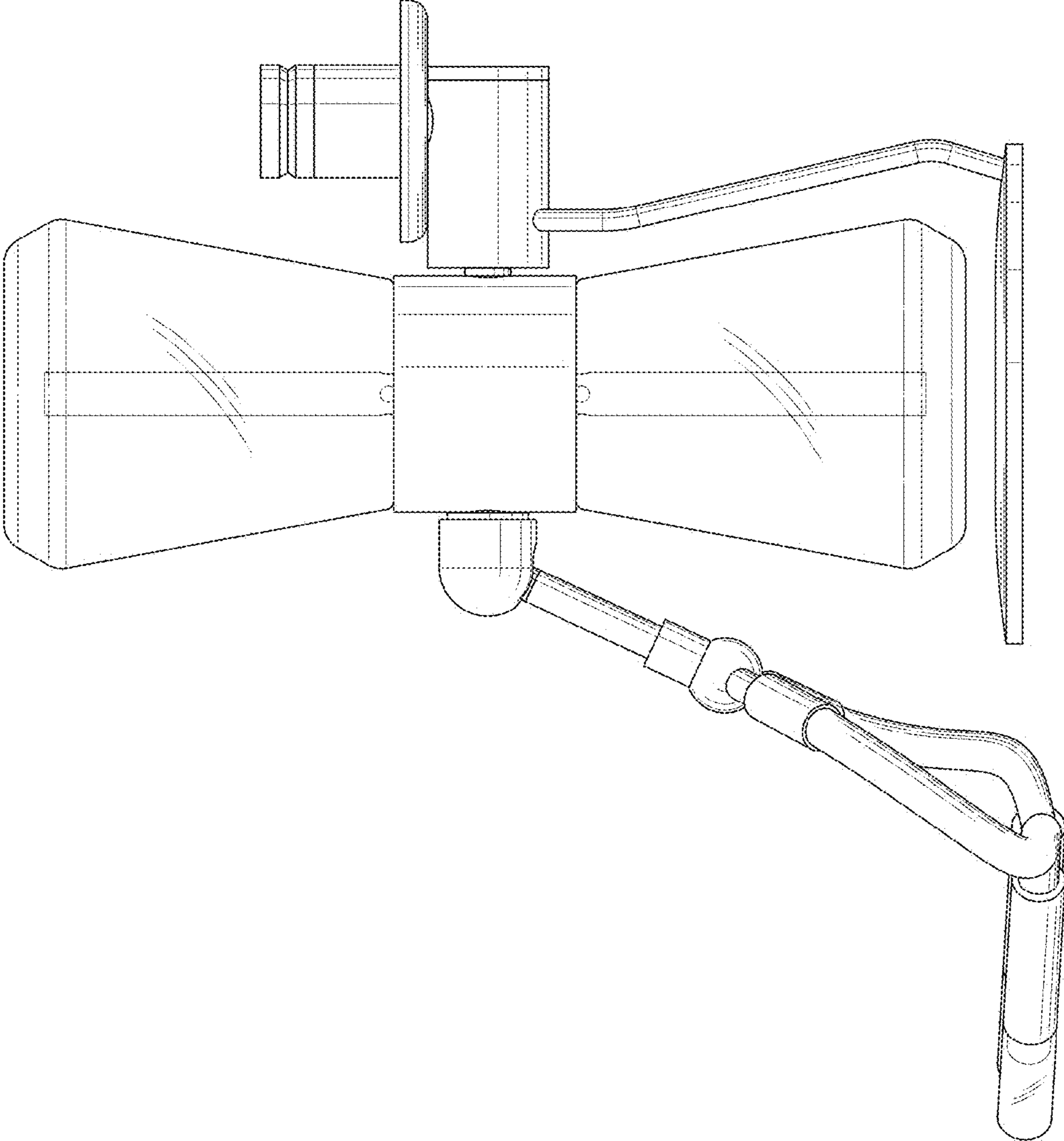


FIG. 3

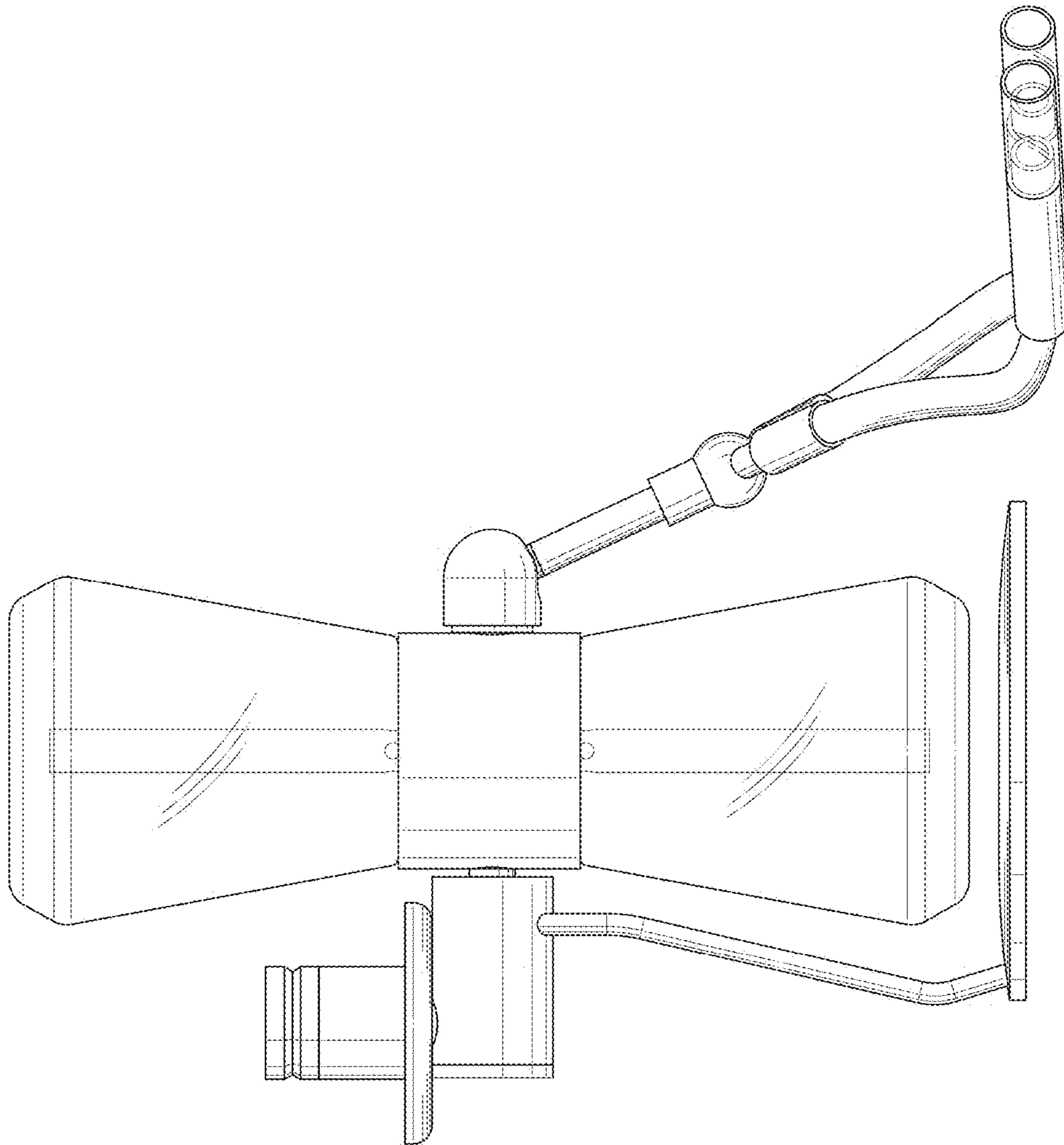


FIG.4

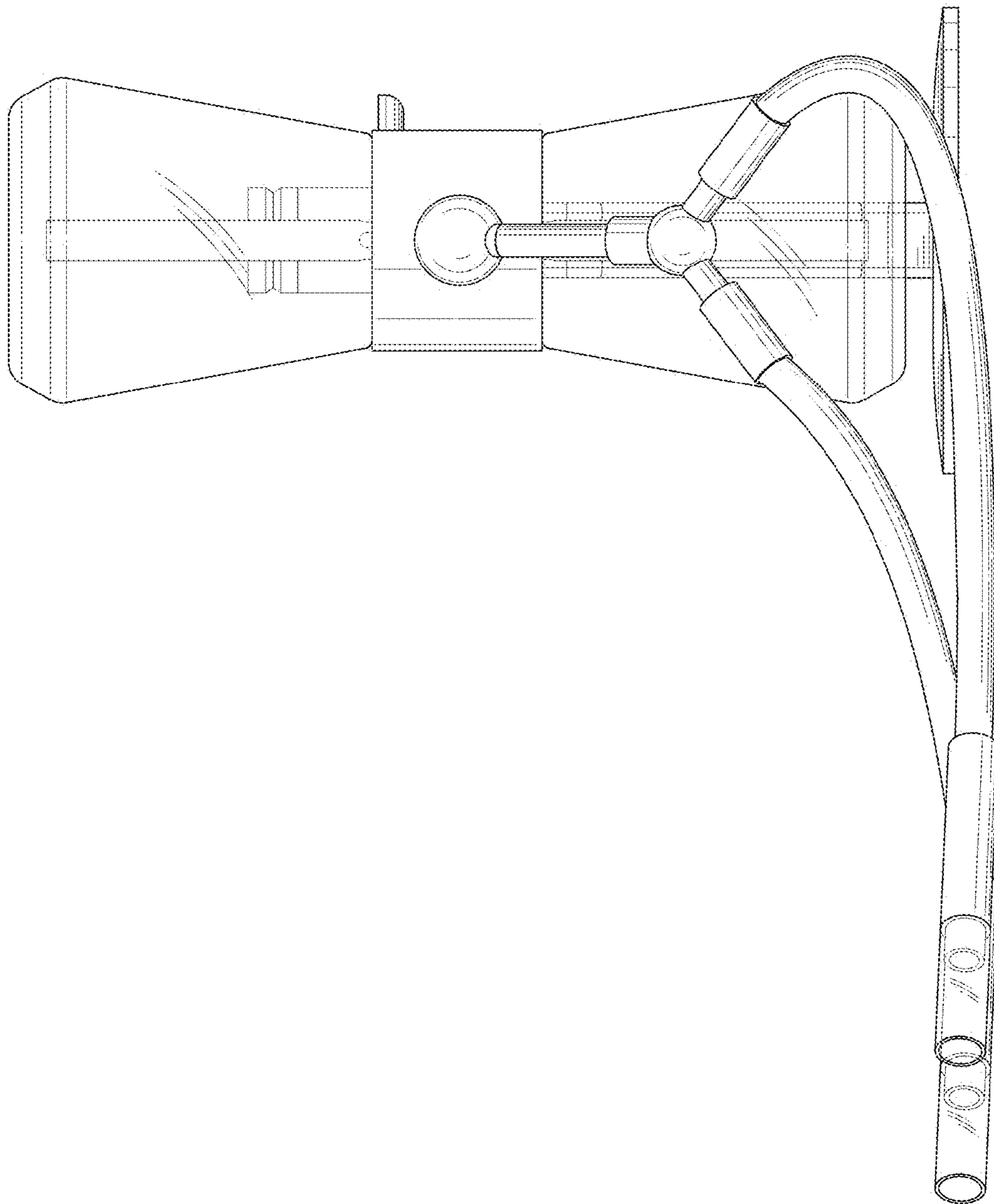


FIG.5

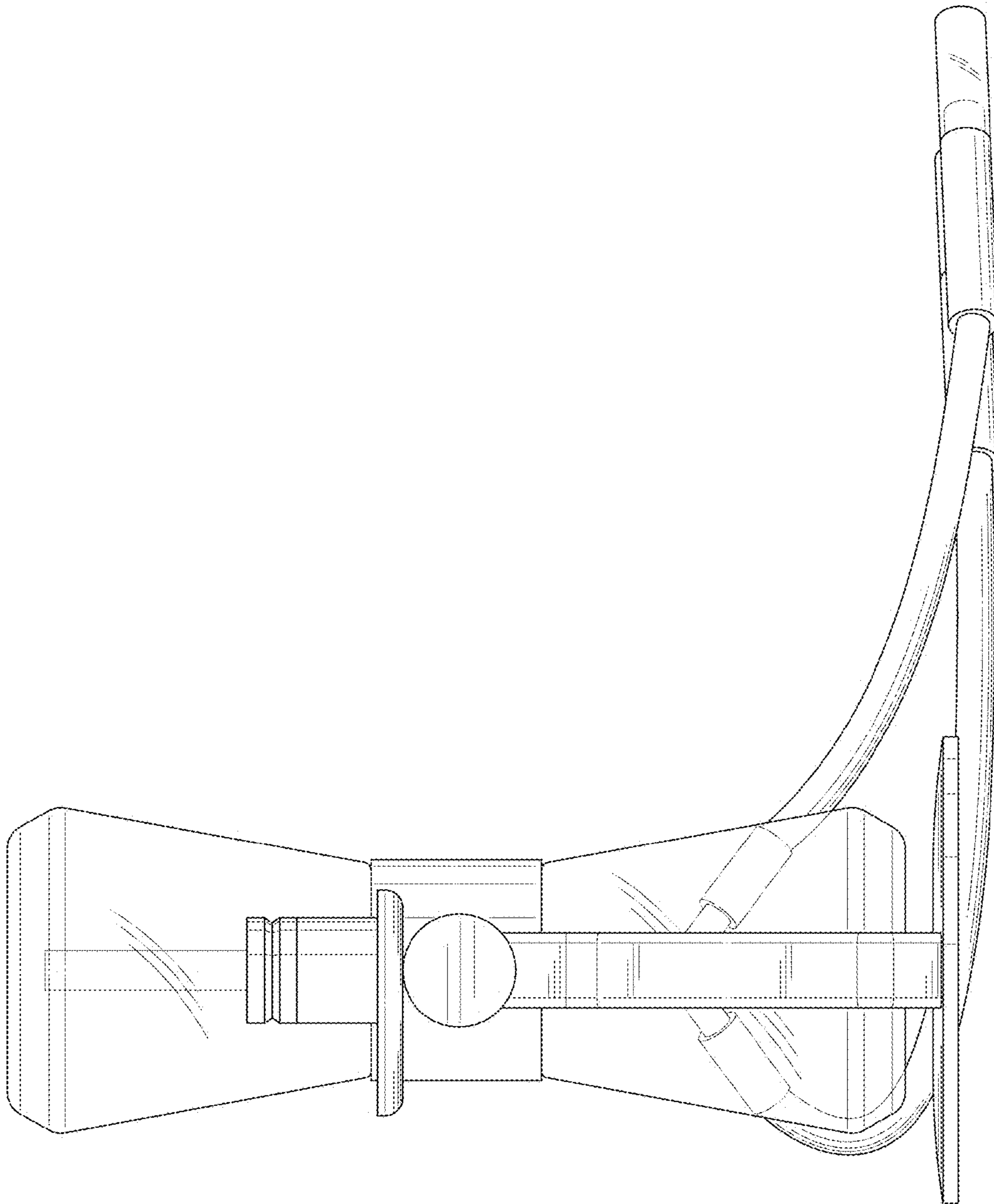


FIG. 6

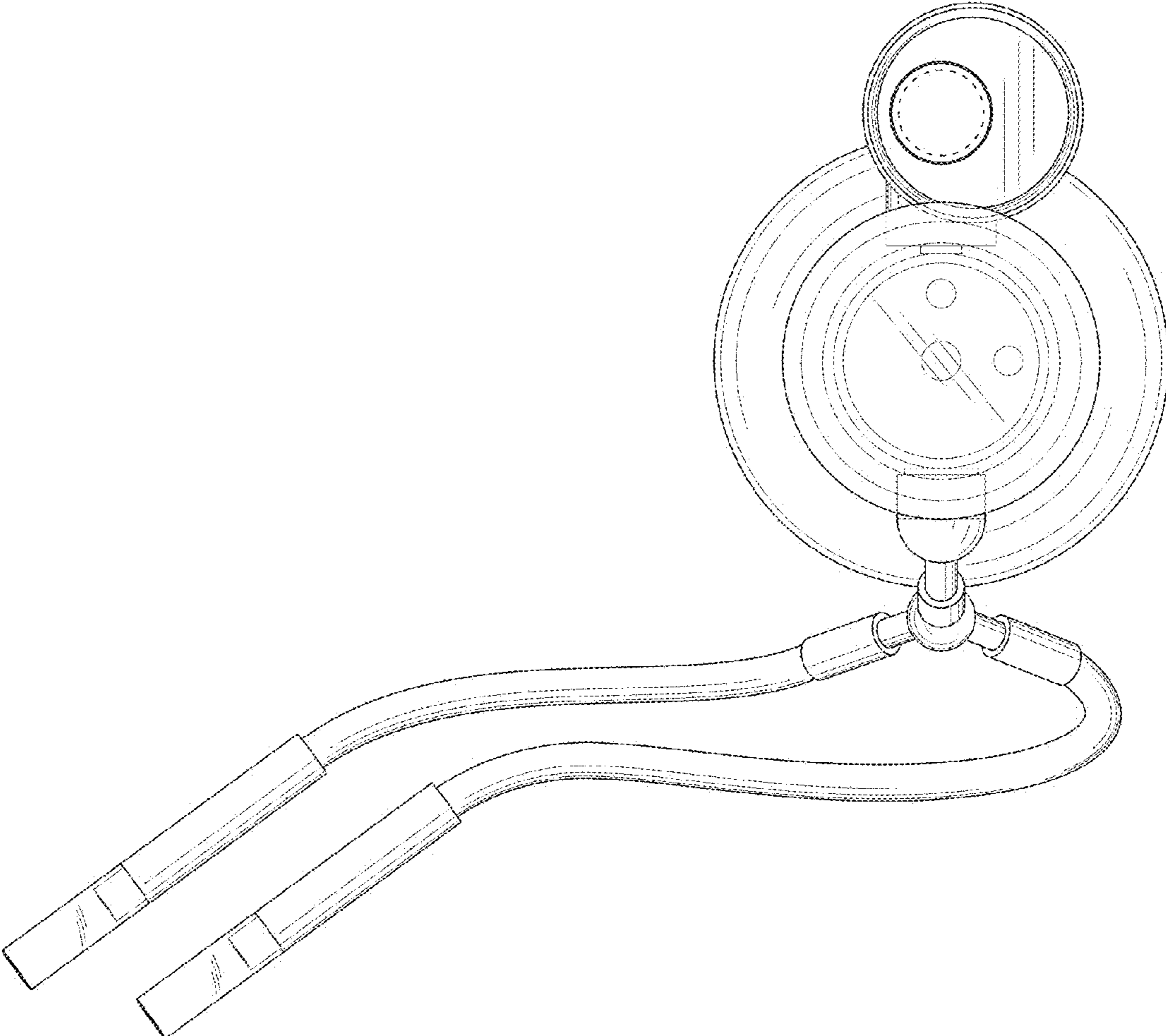


FIG. 7



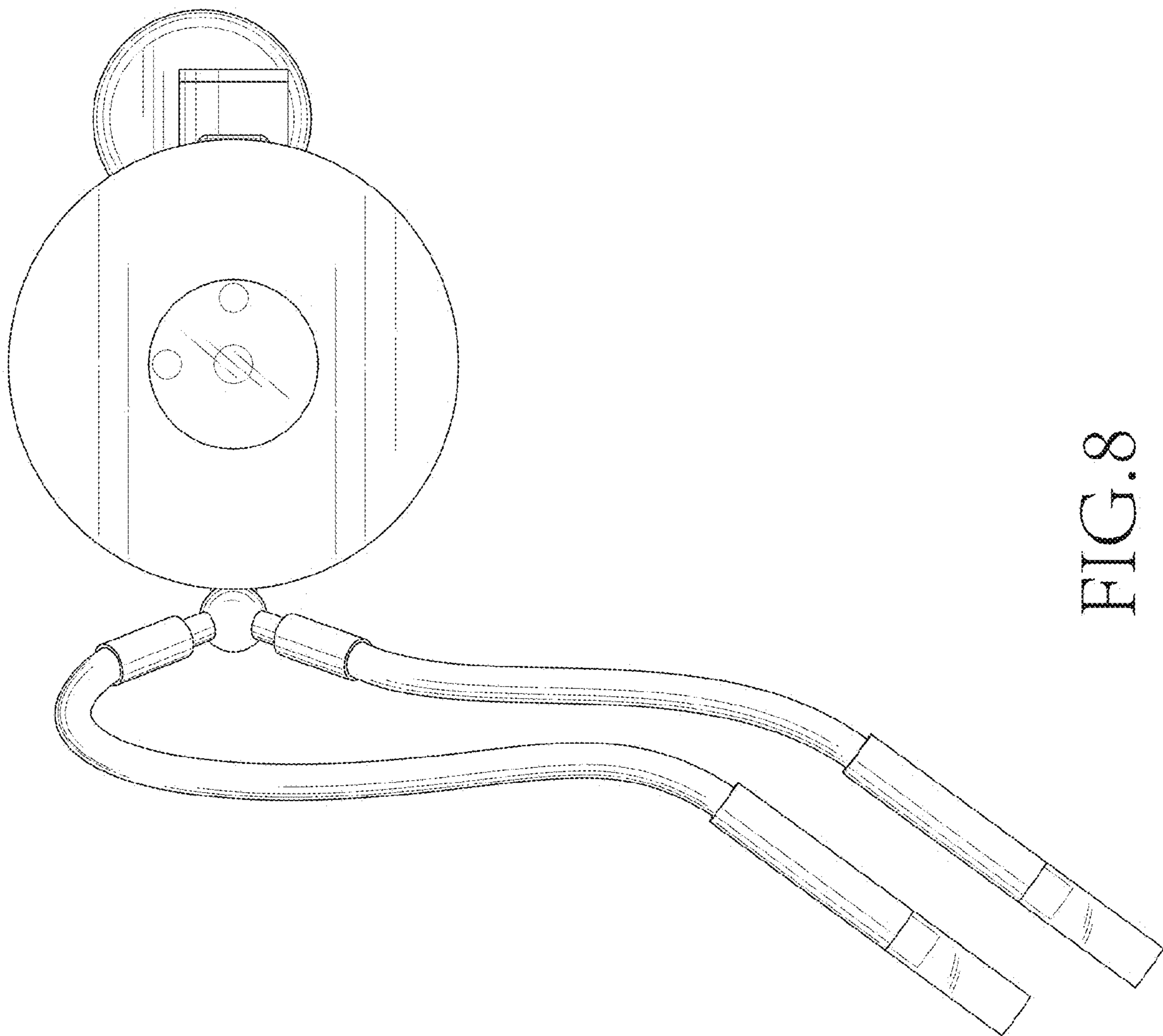


FIG. 8