



US00D984729S

(12) **United States Design Patent**
Healy

(10) **Patent No.:** **US D984,729 S**

(45) **Date of Patent:** **** Apr. 25, 2023**

(54) **ELECTRONIC CIGARETTE ACCESSORY**

(71) Applicant: **Twisted Foot, LLC**, Denver, CO (US)

(72) Inventor: **Robert Andrew Healy**, Denver, CO (US)

(73) Assignee: **Twisted Foot, LLC**, Denver, CO (US)

(**) Term: **15 Years**

(21) Appl. No.: **29/696,620**

(22) Filed: **Jun. 28, 2019**

(51) **LOC (14) Cl.** **27-02**

(52) **U.S. Cl.**
USPC **D27/162**

(58) **Field of Classification Search**
USPC D27/162, 100, 101, 163–170, 172, 183,
D27/185–192, 194; D13/107, 108;
D24/110, 100.5
CPC A24F 47/002; A24F 47/004; A24F 47/006;
A24F 47/008; A24F 1/30; A24F 1/02;
A24F 1/00; A61M 15/00; A61M 15/06
See application file for complete search history.

(56) **References Cited**

U.S. PATENT DOCUMENTS

D460,971 S *	7/2002	Sica	D14/434
D531,295 S *	10/2006	Seelig	D23/366
D535,733 S *	1/2007	Seelig	D23/336
D539,732 S *	4/2007	Aglassinger	D13/107
D576,547 S *	9/2008	Kling	D13/108
D615,491 S *	5/2010	Emminger	D13/108
D621,347 S *	8/2010	Aulwes	D28/73

D688,417 S *	8/2013	Liu	D27/162
D786,789 S *	5/2017	Jordan	D27/194
D820,515 S *	6/2018	Nettenstrom	D27/167
10,010,114 B2 *	7/2018	Jordan	H02J 7/00
D863,529 S *	10/2019	Clement	D24/110
D877,977 S *	3/2020	Ding	D27/162
D927,057 S *	8/2021	Liu	D27/162
D927,418 S *	8/2021	Jones	D27/183
D931,816 S *	9/2021	Cohen	D13/138.2

* cited by examiner

Primary Examiner — Rebecca Tsehaye

(74) *Attorney, Agent, or Firm* — Williams Mullen;
Andrew R. Shores

(57) **CLAIM**

The ornamental design for an electronic cigarette accessory,
as shown and described.

DESCRIPTION

FIG. 1 is a perspective view of an electronic cigarette accessory in accordance with the present design.

FIG. 2 is a front view thereof.

FIG. 3 is a rear view thereof.

FIG. 4 is a right side view thereof.

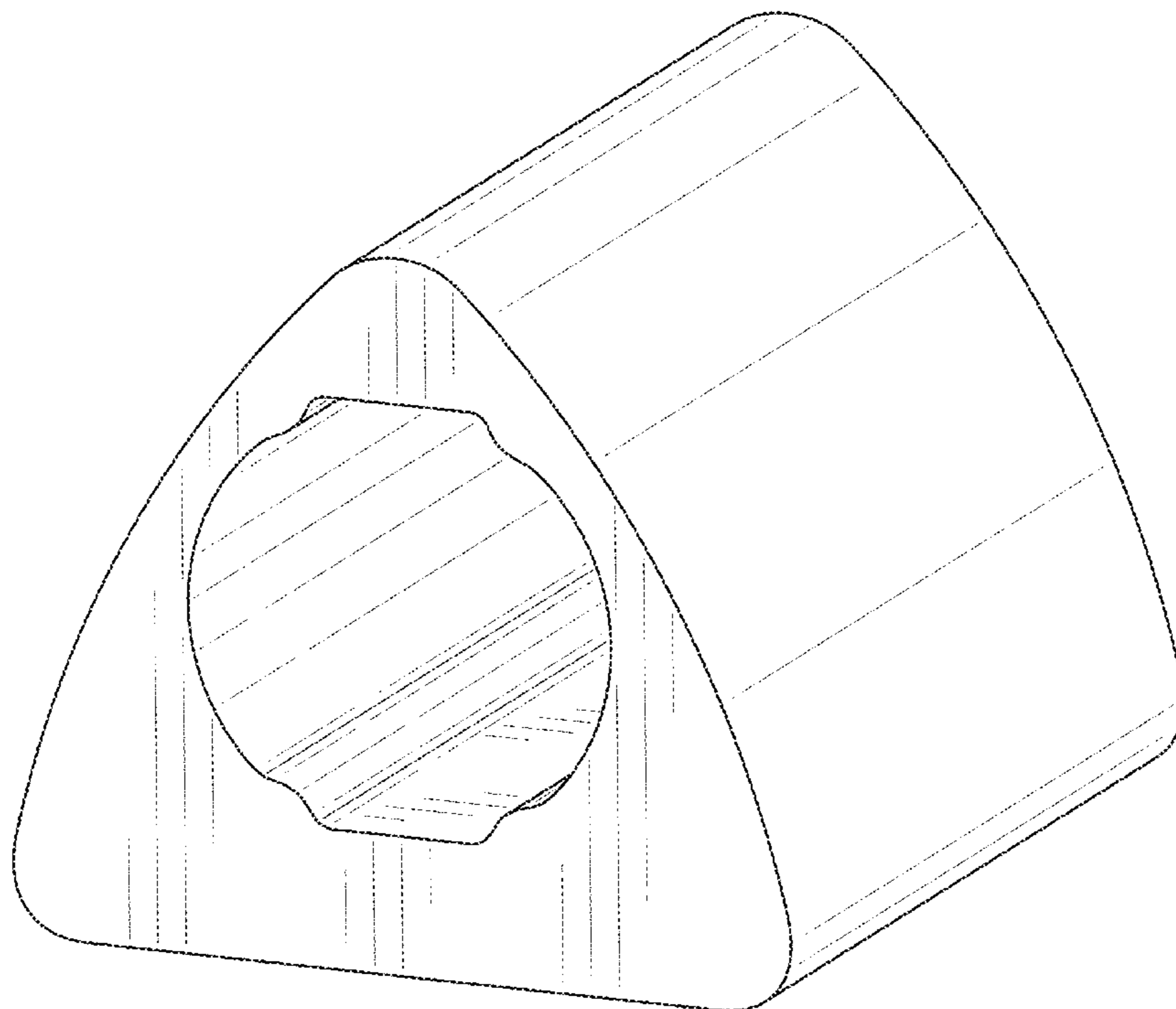
FIG. 5 is a left side view thereof.

FIG. 6 is a top view thereof; and,

FIG. 7 is a bottom view thereof.

The broken lines depict portions of the electronic cigarette accessory that form no part of the claimed design. None of the broken lines form a part of the claimed design. The broken line non-through hole circle on the bottom also forms no part of the claimed design. The appearance of any portion of article between the broken lines or beyond the broken lines forms no part of the claimed design.

1 Claim, 7 Drawing Sheets



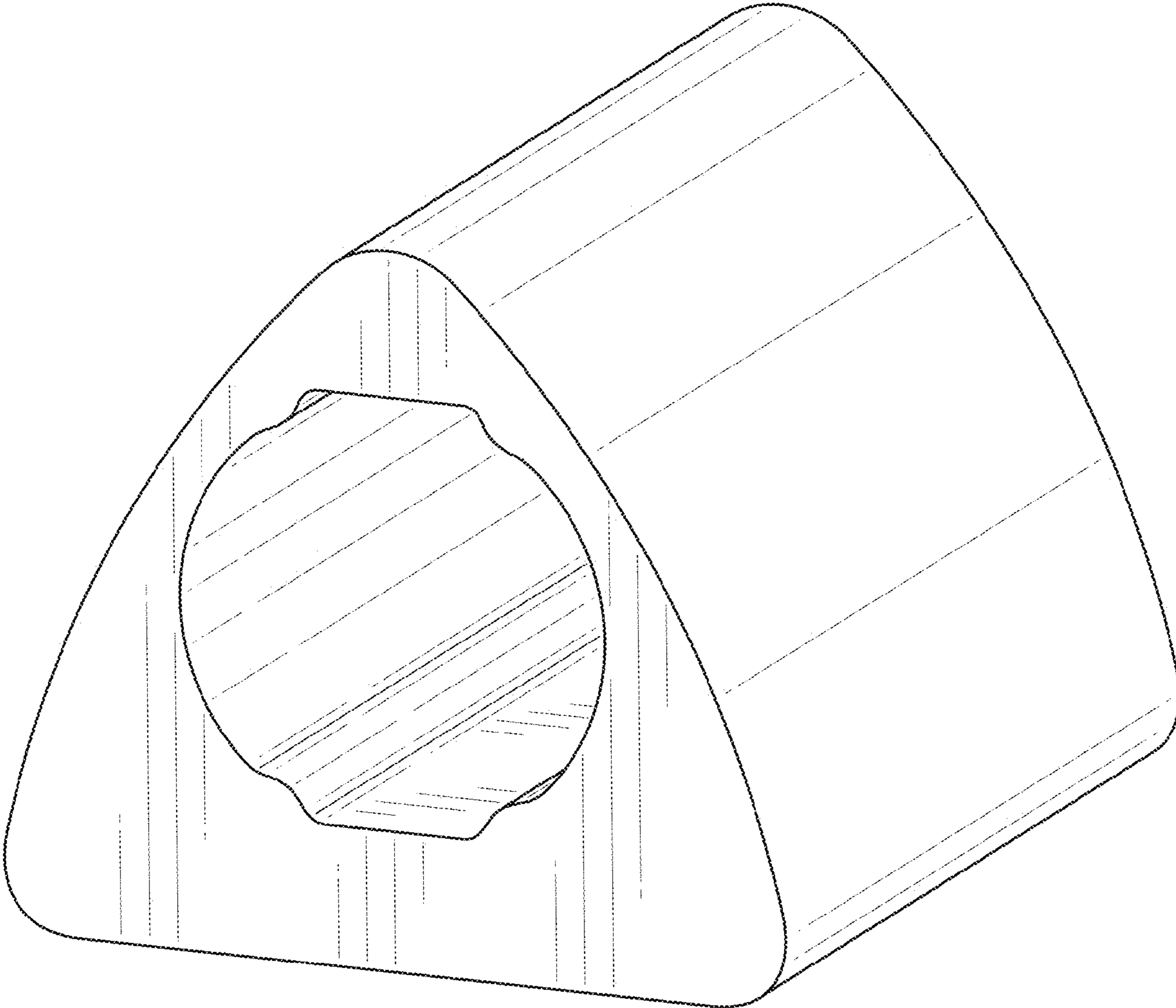


FIG. 1

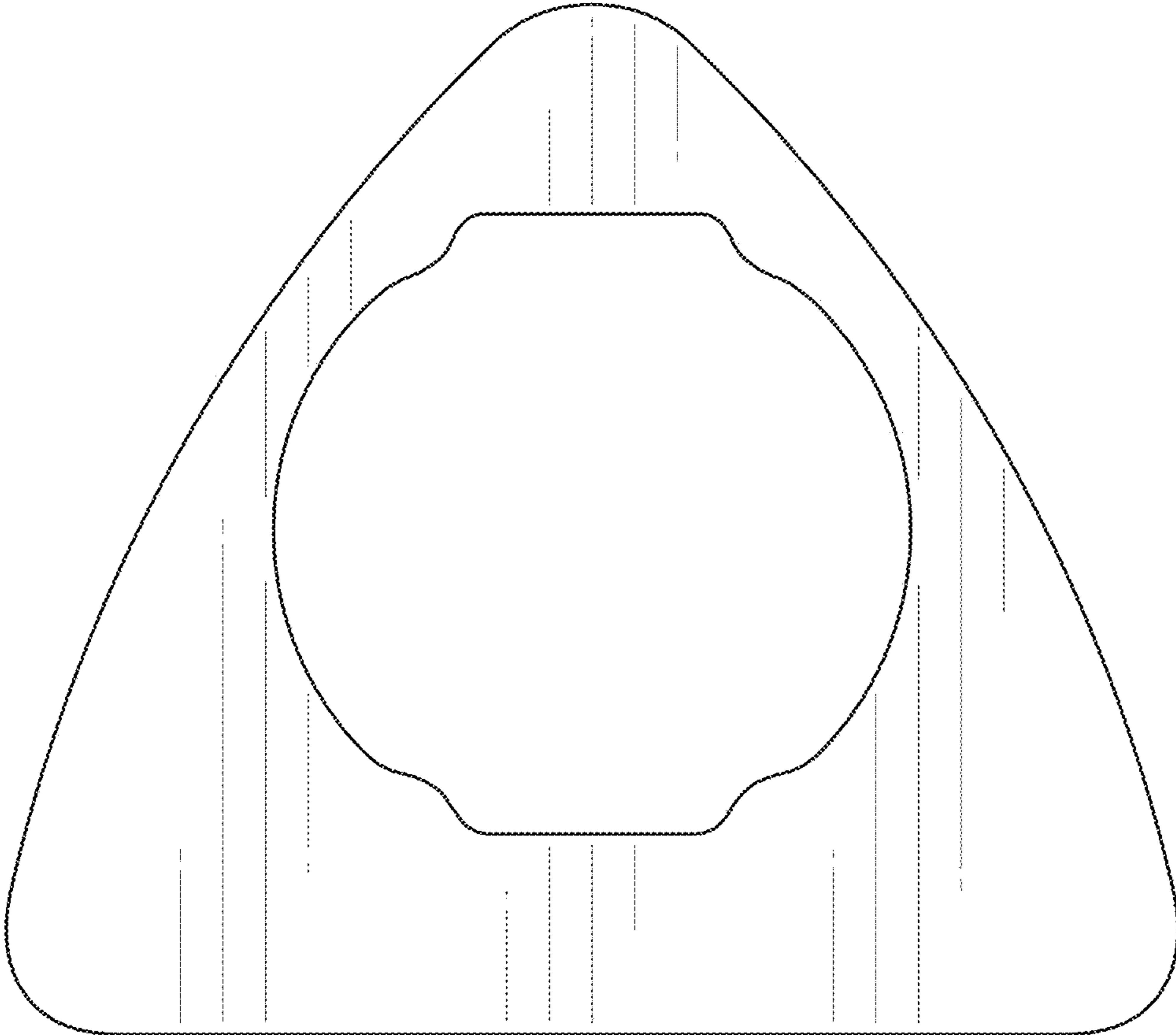


FIG. 2

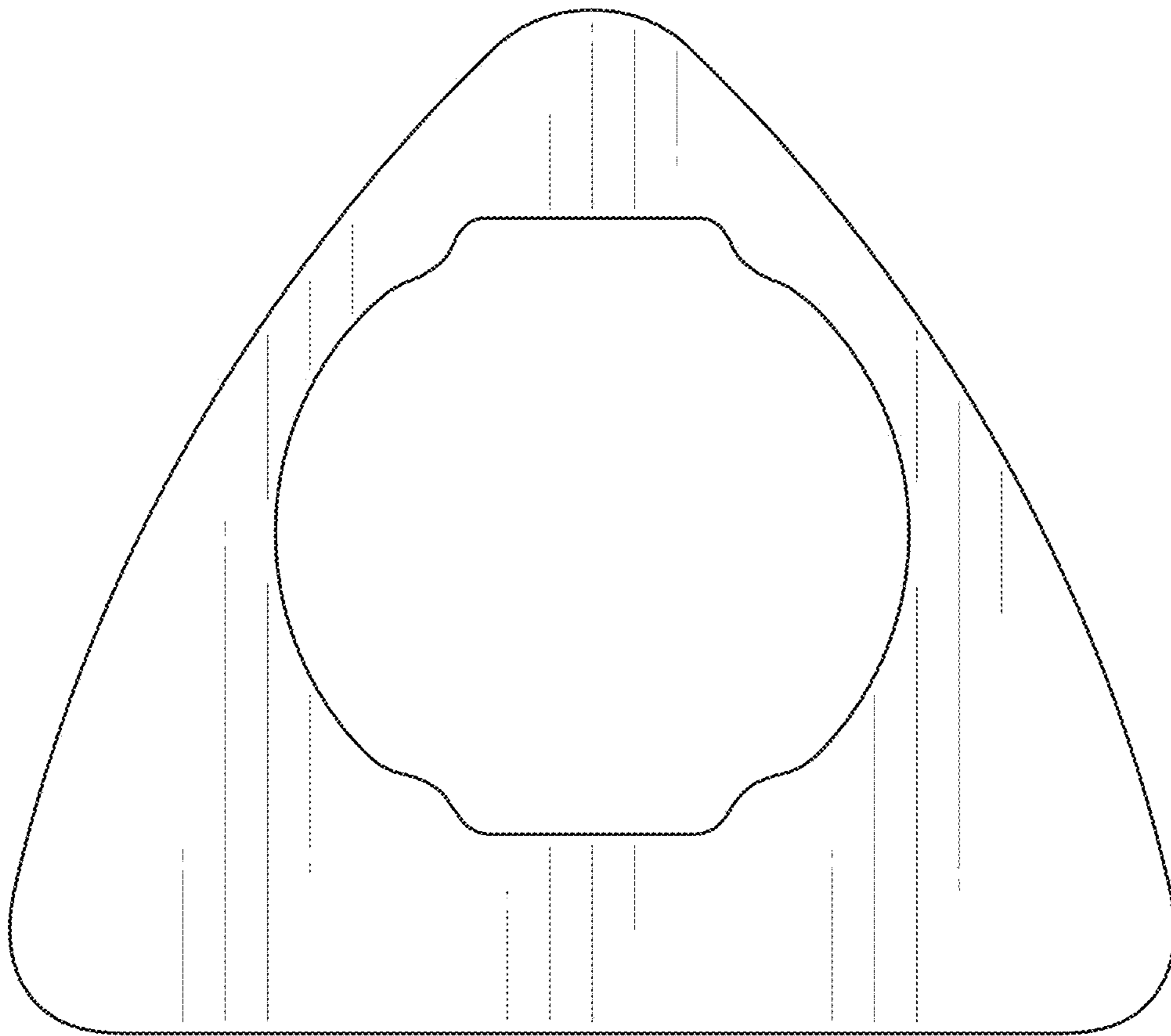


FIG. 3



FIG. 4



FIG. 5

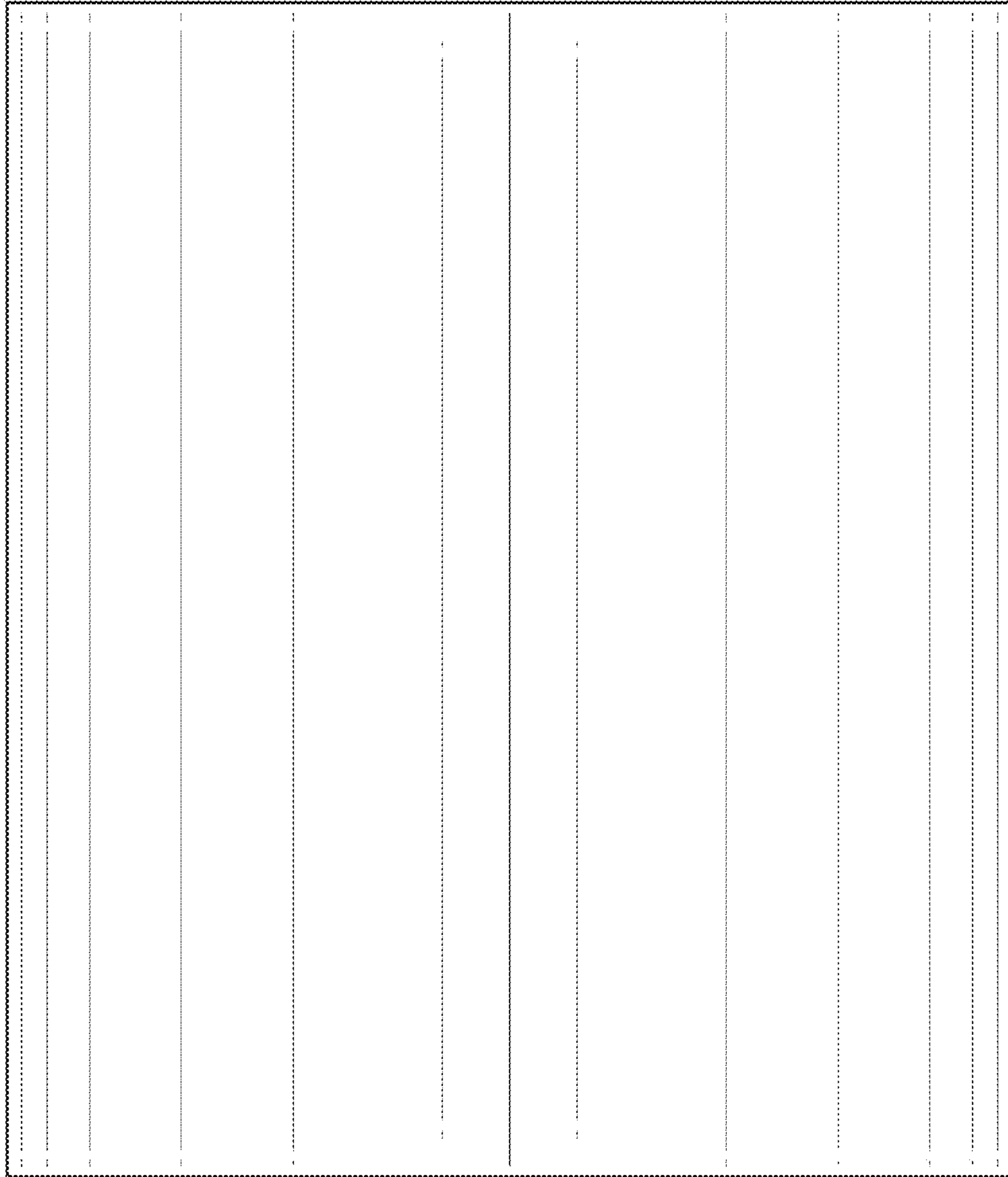


FIG. 6

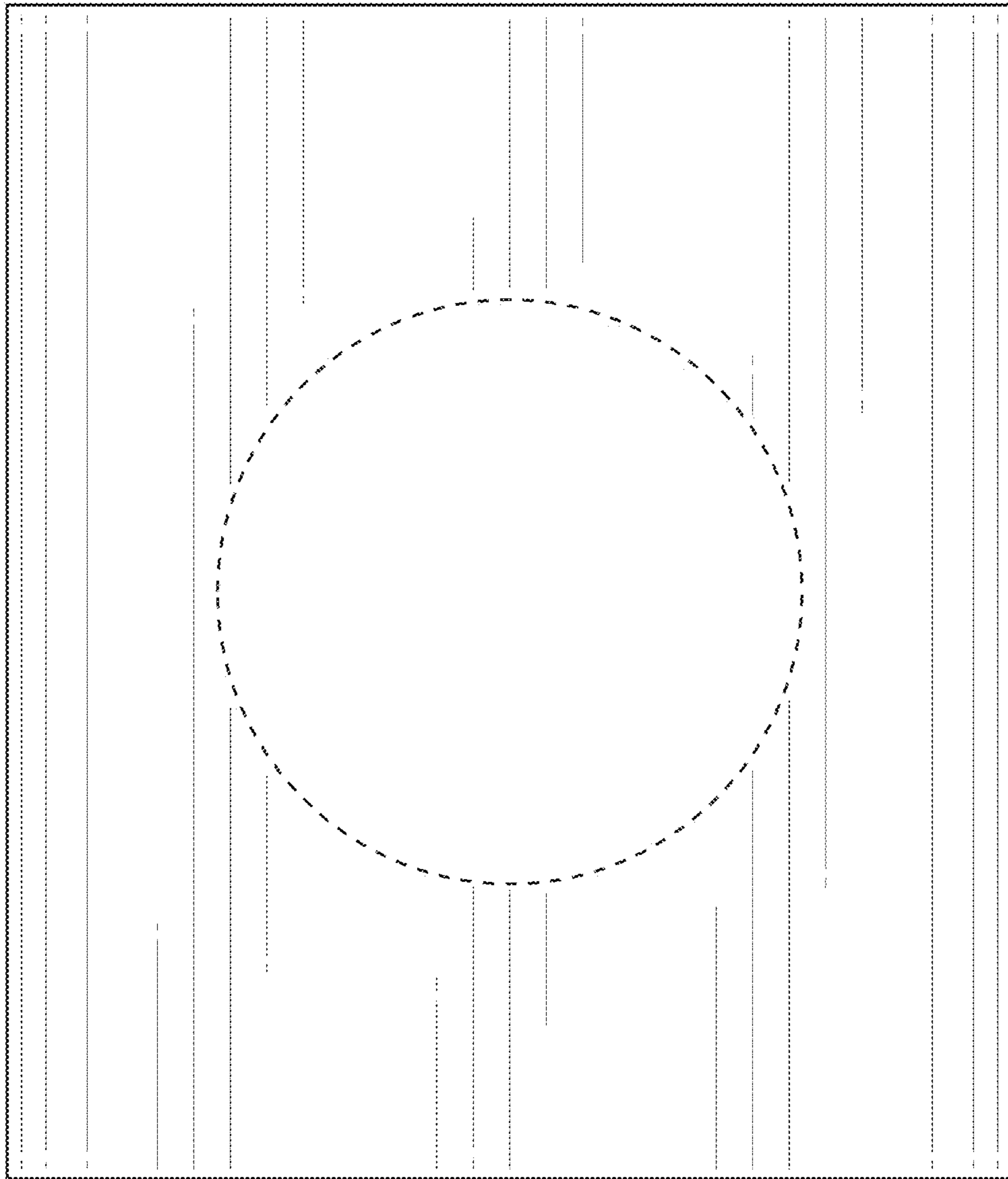


FIG. 7