



US00D984728S

(12) **United States Design Patent** (10) **Patent No.:** **US D984,728 S**  
**Wang** (45) **Date of Patent:** **\*\* Apr. 25, 2023**

(54) **TORCH LIGHTER**  
(71) Applicant: **Pingdingshan Zhengji Trading Co., LTD**, Pingdingshan (CN)  
(72) Inventor: **Junlong Wang**, Pingdingshan (CN)  
(73) Assignee: **Pingdingshan Zhengji Trading Co., LTD**, Pingdingshan (CN)

D868,365 S \* 11/2019 Kassir ..... D27/141  
D869,749 S \* 12/2019 Pan ..... D27/159  
D872,356 S \* 1/2020 Pan ..... D27/159  
D875,300 S \* 2/2020 Chen ..... D27/141  
D918,328 S \* 5/2021 Newsome ..... D22/104  
D933,772 S \* 10/2021 Sroufe ..... D22/104  
D950,835 S \* 5/2022 Luo .....  
D967,906 S \* 10/2022 Chen ..... D21/573  
D973,171 S \* 12/2022 Martelli ..... D22/104

(\*\*) Term: **15 Years**

(21) Appl. No.: **29/862,917**

(22) Filed: **Dec. 14, 2022**

(51) **LOC (14) Cl.** ..... **27-05**

(52) **U.S. Cl.**  
USPC ..... **D27/148**

(58) **Field of Classification Search**  
USPC ..... D27/148, 153, 158, 159, 141, 142, 138;  
D22/108, 104, 105, 117; D21/574, 573  
CPC ..... F23Q 2/00; F23Q 2/02; F23Q 2/16; F23Q  
2/151; F23Q 2/162; F23Q 2/163; F23Q  
2/164; F23Q 2/167; F23Q 7/00; F23Q  
7/10; F23Q 7/14; F23Q 7/16; F23Q 7/24  
See application file for complete search history.

(56) **References Cited**

**U.S. PATENT DOCUMENTS**

D444,912 S \* 7/2001 Xie ..... D7/416  
D477,747 S \* 7/2003 Hsu ..... D7/416  
D528,245 S \* 9/2006 Smith ..... D27/142  
D854,642 S \* 7/2019 Shinkle ..... D22/104  
D862,792 S \* 10/2019 Chen ..... D27/141

**OTHER PUBLICATIONS**

Torch Jet Lighter By: Somgem found on Amazon (Feb. 1, 2023)  
<https://www.amazon.com/SOMGEM-Lighter-Cigarette-Refillable-Windproof/dp/B09J2KJKF9?th=1> (Oct. 9, 2021).\*

\* cited by examiner

*Primary Examiner* — Rebecca Tsehaye

(57) **CLAIM**

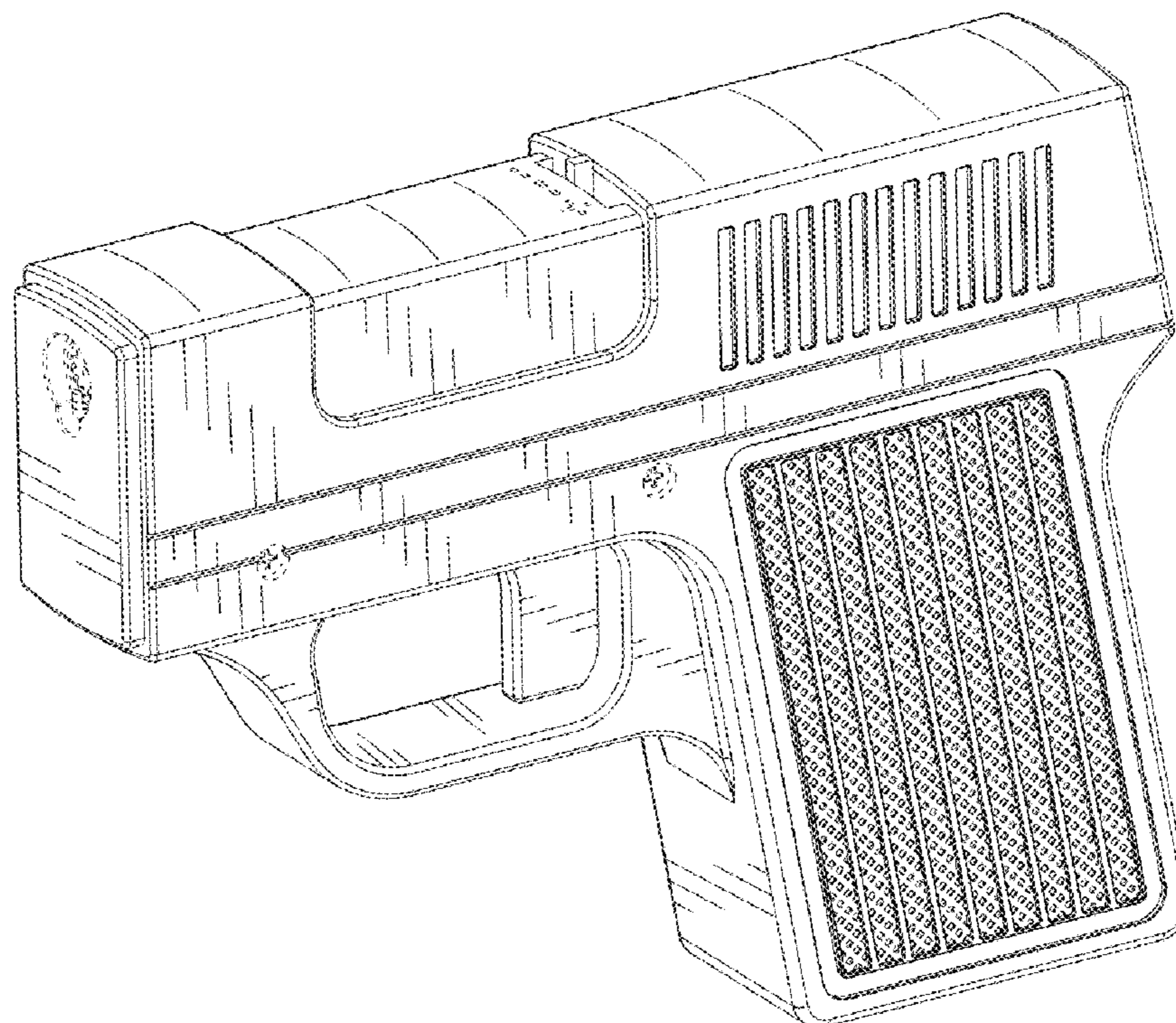
The ornamental design for a torch lighter, as shown and described.

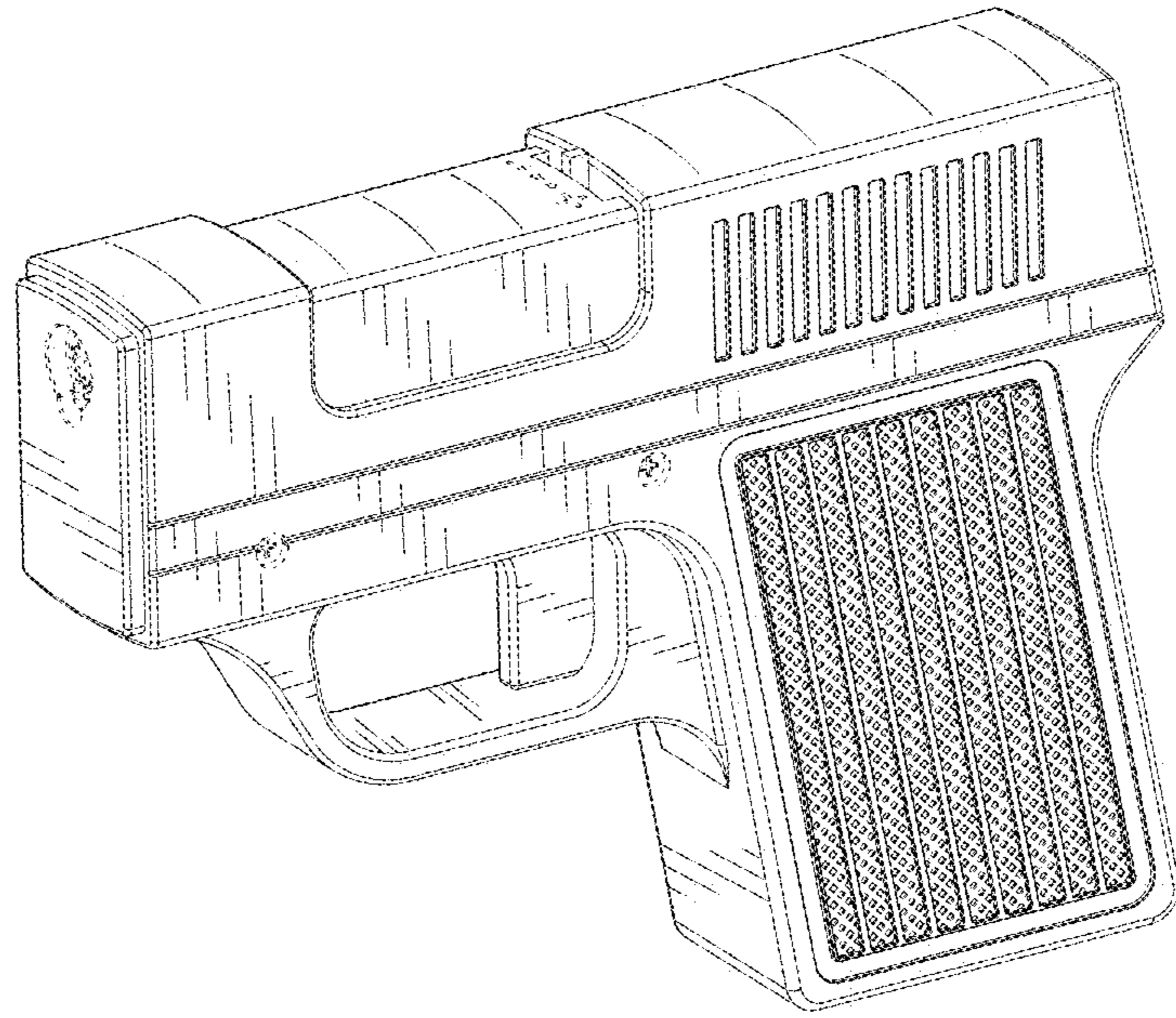
**DESCRIPTION**

FIG. 1 is a front, top and left side perspective view of a torch lighter, showing my new design;  
FIG. 2 is a front view thereof;  
FIG. 3 is a rear view thereof;  
FIG. 4 is a left side view thereof;  
FIG. 5 is a right side view thereof;  
FIG. 6 is a top view thereof; and,  
FIG. 7 is a bottom view thereof.

The broken lines in the drawings illustrate the portions of the torch lighter, which form no part of the claimed design.

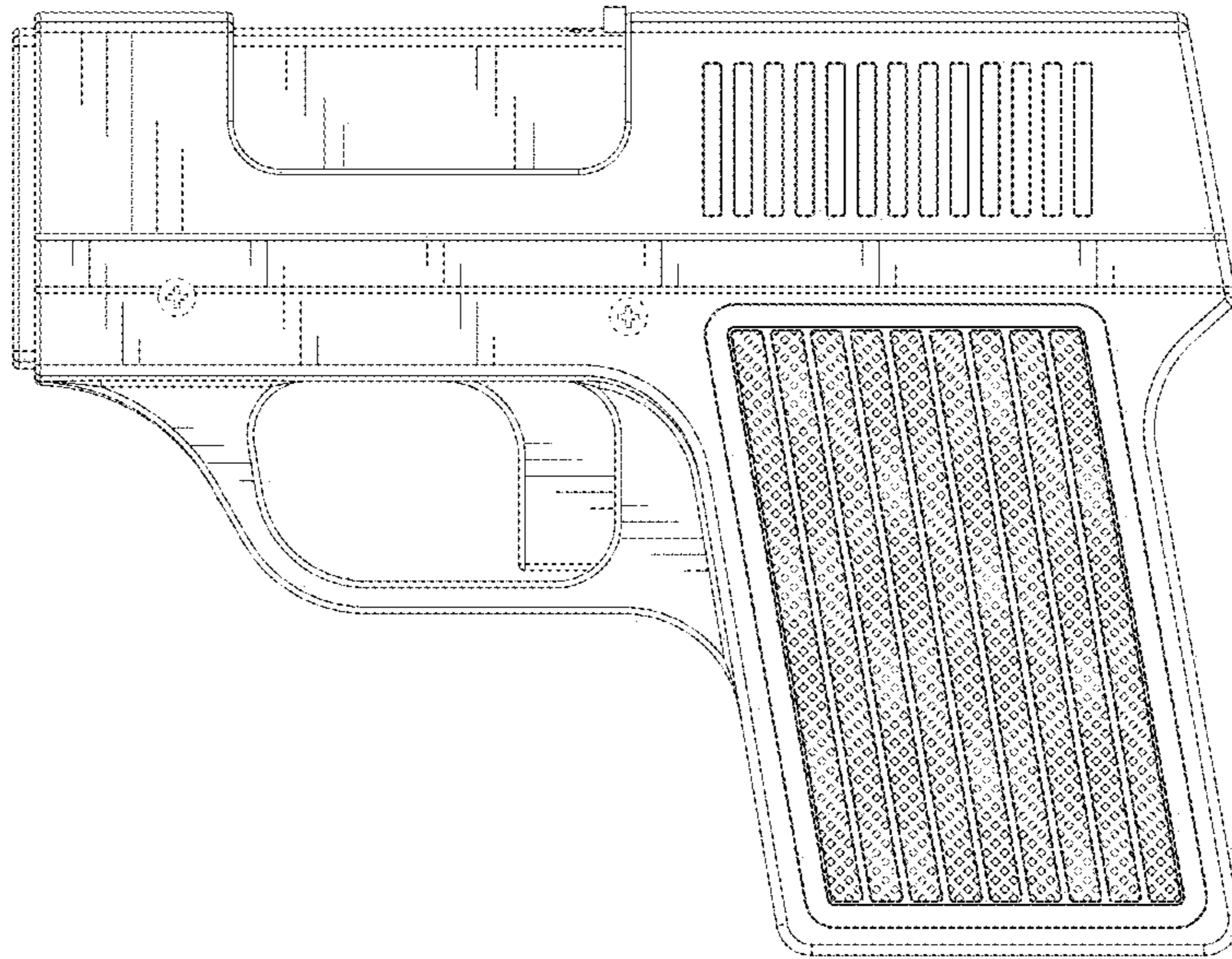
**1 Claim, 7 Drawing Sheets**



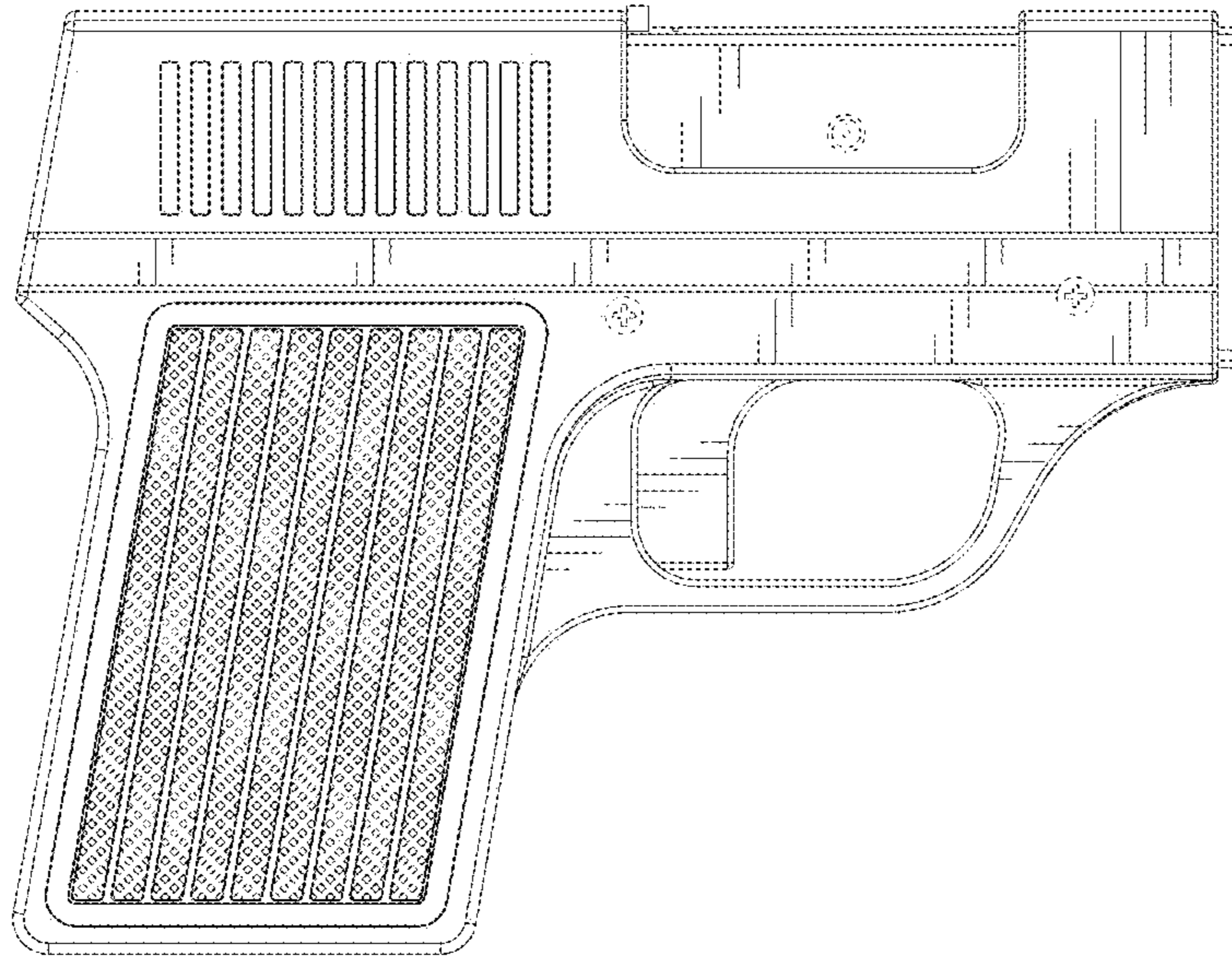


**FIG. 1**

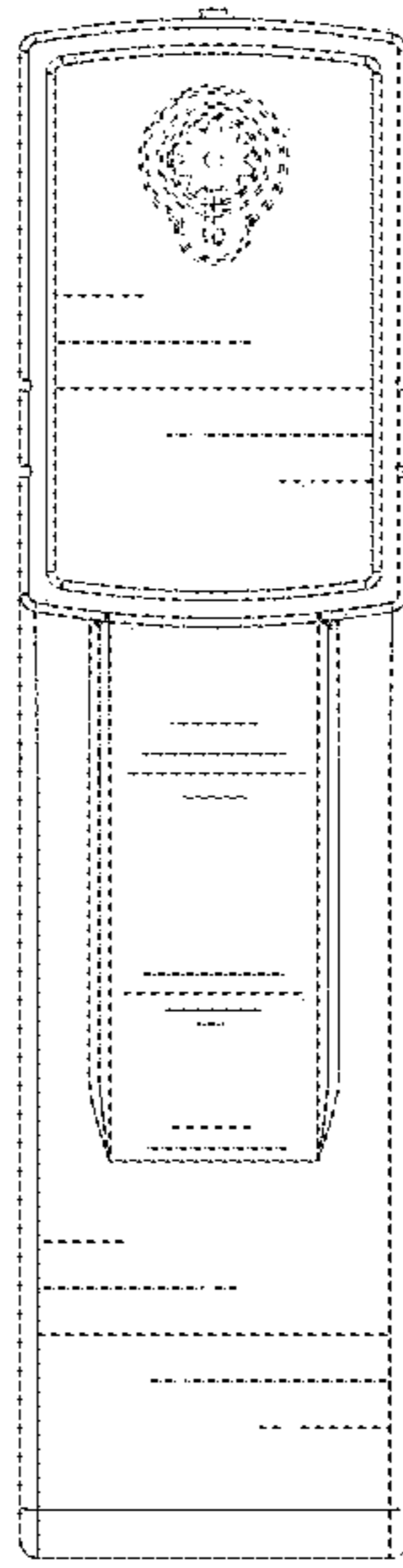




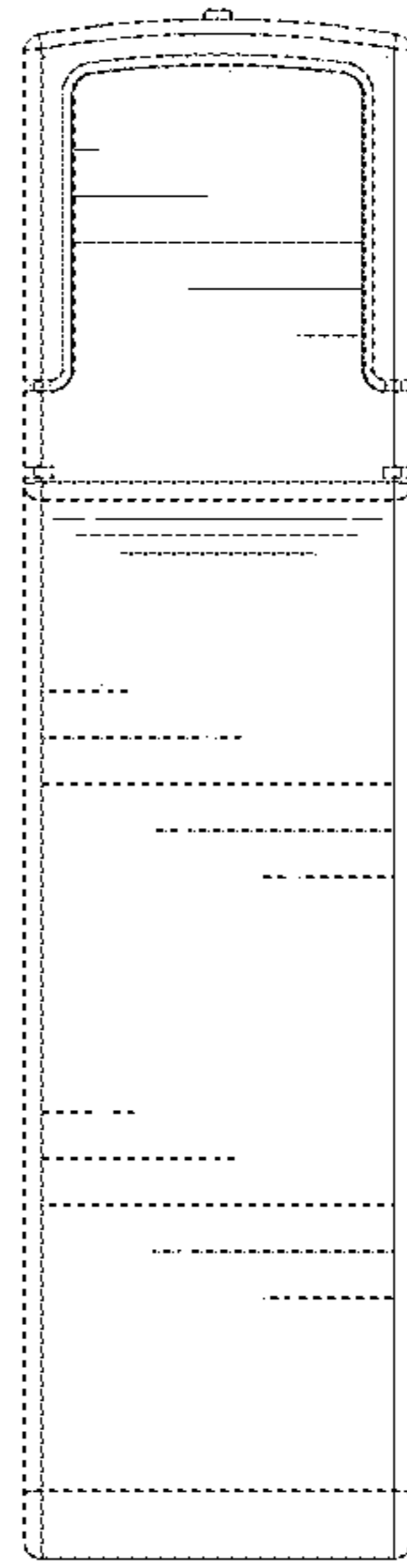
**FIG. 2**



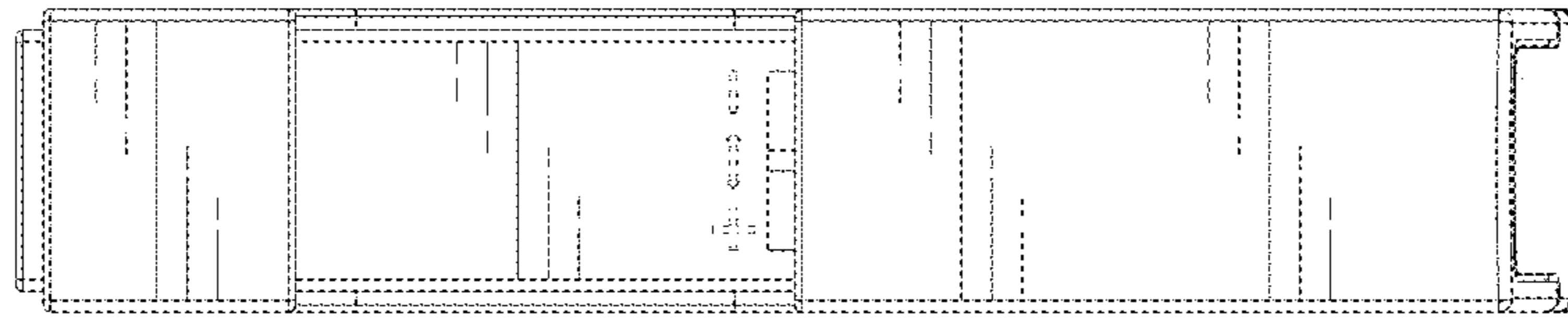
**FIG. 3**



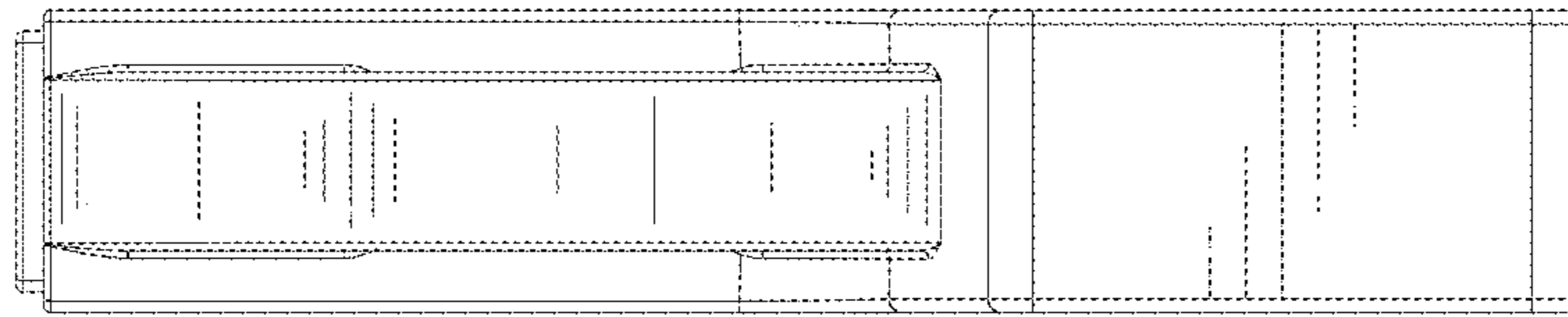
**FIG. 4**



***FIG. 5***



***FIG. 6***



**FIG. 7**