



US00D984727S

(12) **United States Design Patent**  
**Crisp**

(10) **Patent No.:** **US D984,727 S**

(45) **Date of Patent:** **\*\* Apr. 25, 2023**

(54) **MATCH STRIKER**

(71) Applicant: **Sierra Crisp**, Simi Valley, CA (US)

(72) Inventor: **Sierra Crisp**, Simi Valley, CA (US)

(\*\*) Term: **15 Years**

(21) Appl. No.: **29/783,853**

(22) Filed: **May 15, 2021**

(51) **LOC (14) Cl.** ..... **27-05**

(52) **U.S. Cl.**  
USPC ..... **D27/140**

(58) **Field of Classification Search**  
USPC ..... D27/140, 172, 173, 178, 194  
CPC ..... A24F 5/00; B01L 9/00  
See application file for complete search history.

(56) **References Cited**

**U.S. PATENT DOCUMENTS**

D5,257 S *	9/1871	Brown	.....	D27/173
D674,892 S *	1/2013	Denton	.....	D24/110
8,490,351 B1 *	7/2013	Scott	.....	E04D 13/1476
				454/47
D726,955 S *	4/2015	Martin	.....	D27/172
D728,382 S *	5/2015	Goswell	.....	D9/504
D763,474 S *	8/2016	Vidal	.....	D26/2
D796,663 S *	9/2017	Mitchell	.....	D23/393
D872,357 S *	1/2020	Hoch	.....	D27/194

D882,867 S *	4/2020	Volodarsky	.....	D27/170
D932,687 S *	10/2021	Storz	.....	D27/162
2017/0055579 A1 *	3/2017	Kuna	.....	A24F 1/00

**OTHER PUBLICATIONS**

Match Striker By: Demi's Home found on Amazon (Oct. 22, 2022)  
<https://www.amazon.com/Demis-Home-Match-Striker-White/dp/B094C2N2NL?th=1> (Jan. 17, 2022).\*

\* cited by examiner

*Primary Examiner* — Rebecca Tsehaye  
(74) *Attorney, Agent, or Firm* — Law Office of David Hong

(57) **CLAIM**

The ornamental design for a match striker, as shown and described.

**DESCRIPTION**

FIG. 1 is a perspective view of a match striker showing my new design.

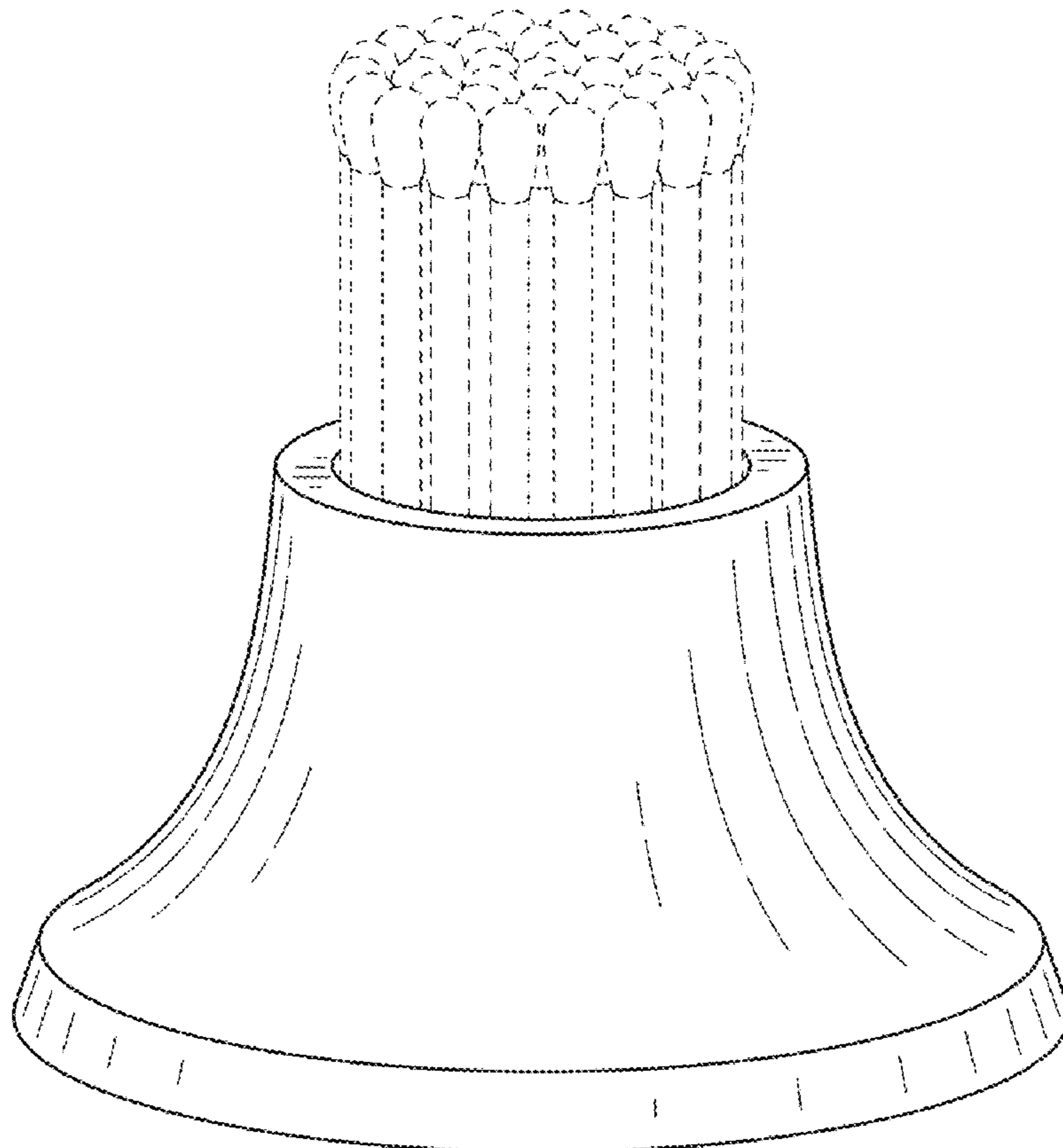
FIG. 2 is a side view thereof.

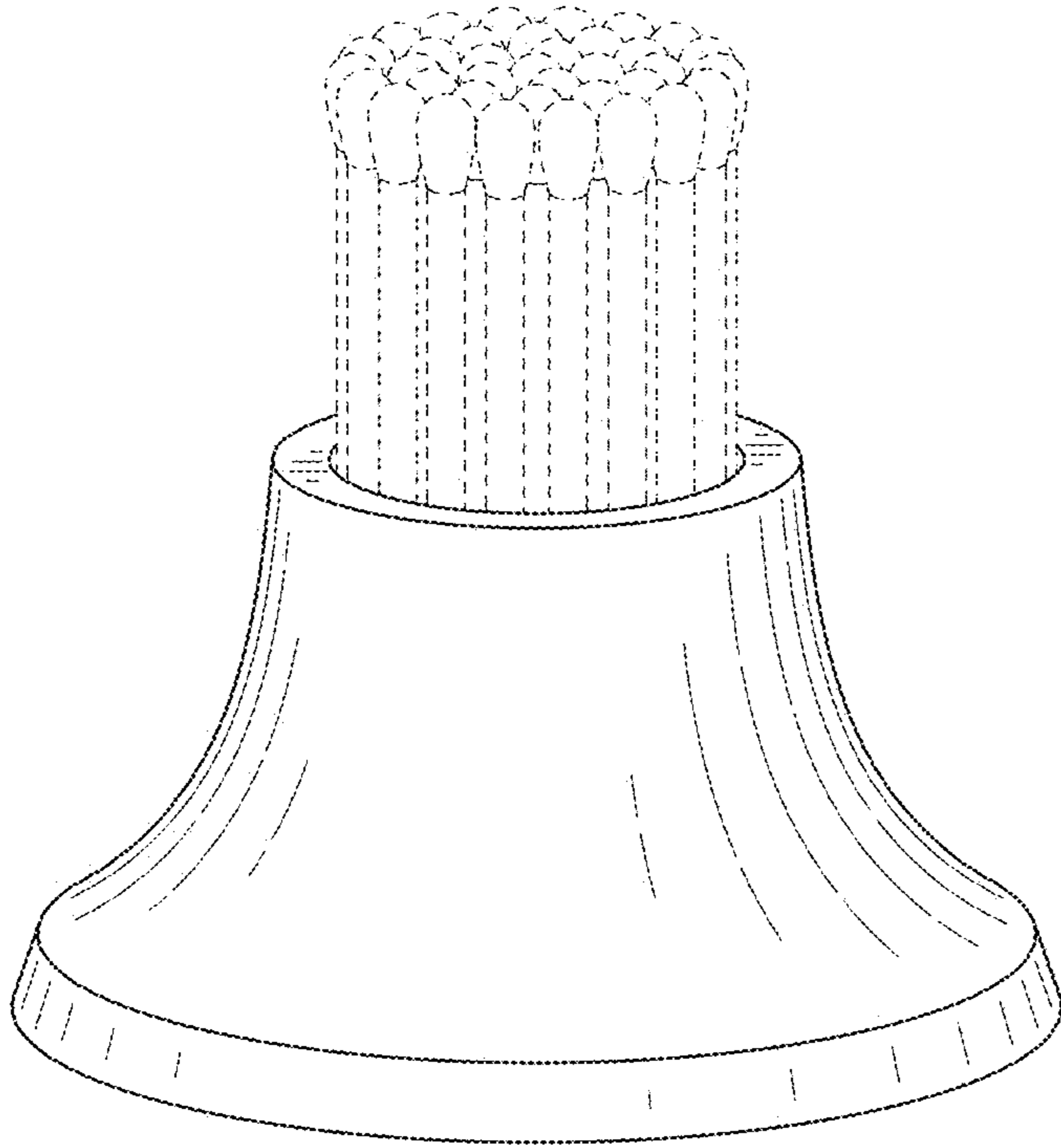
FIG. 3 is a top view thereof; and,

FIG. 4 is a bottom view thereof.

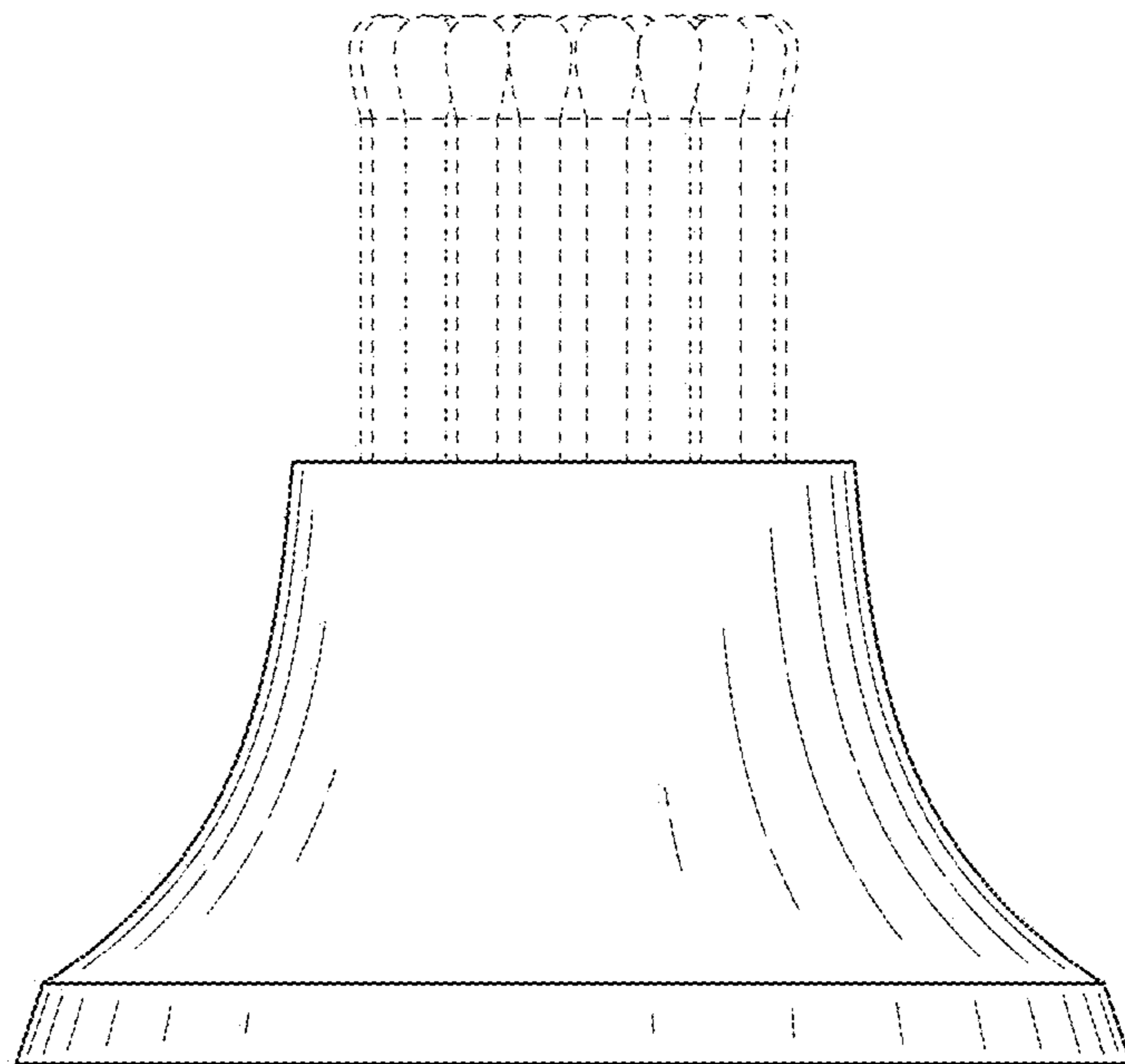
The broken lines shown in the drawings depict portions of the match striker that form no part of the claimed design; in FIGS. 1-4, matches are shown in broken lines and form no part of the design.

**1 Claim, 2 Drawing Sheets**

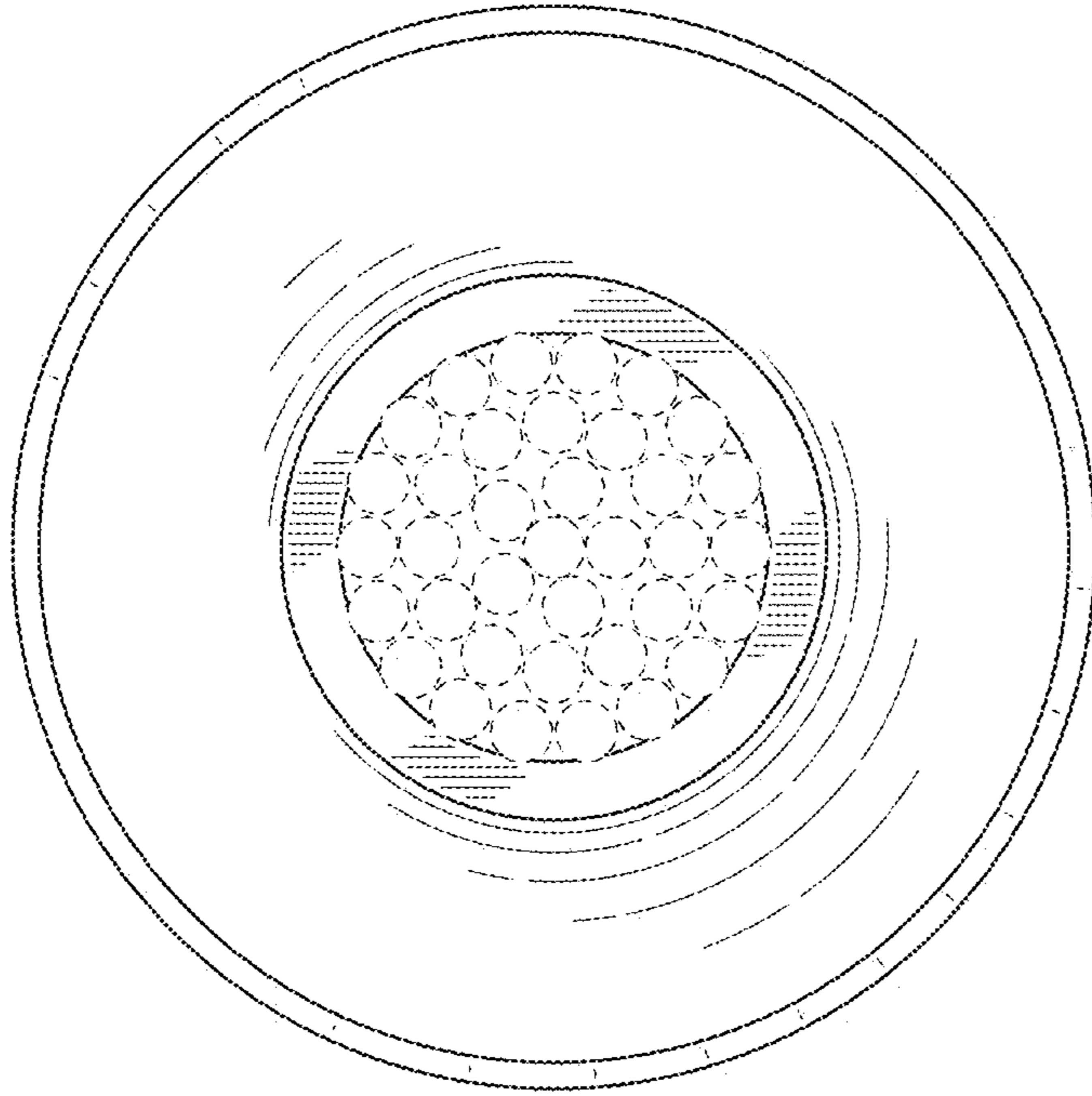




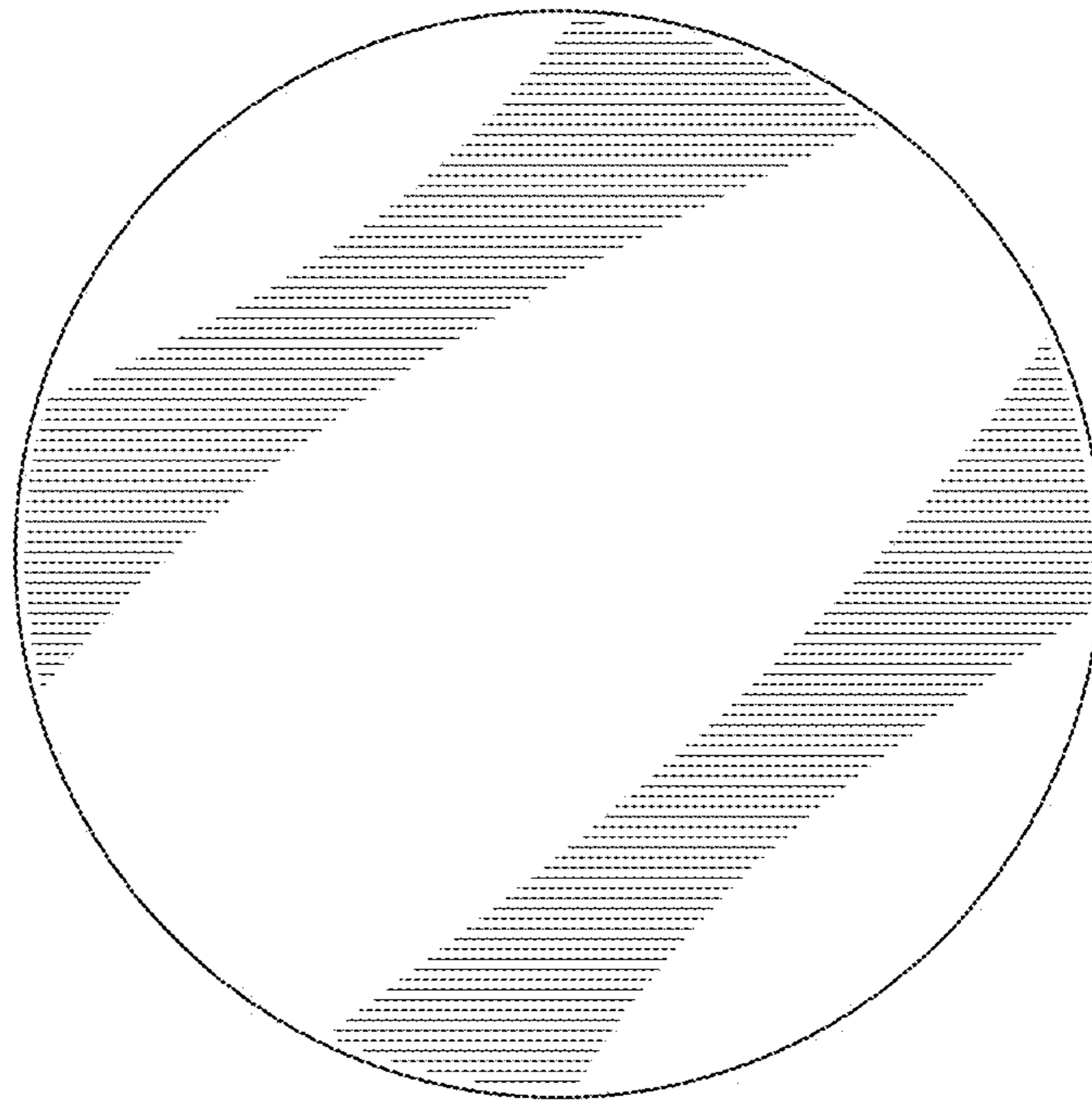
*FIG. 1*



*FIG. 2*



*FIG. 3*



*FIG. 4*