



US00D984726S

(12) **United States Design Patent** (10) **Patent No.:** **US D984,726 S**
Wu et al. (45) **Date of Patent:** **** Apr. 25, 2023**

(54) **CIGARETTE FILTER**
(71) Applicants: **Jie Wu**, Kunming (CN); **Qing He**, Shenzhen (CN)
(72) Inventors: **Jie Wu**, Kunming (CN); **Qing He**, Shenzhen (CN)
(**) Term: **15 Years**
(21) Appl. No.: **29/883,486**
(22) Filed: **Jan. 30, 2023**
(51) **LOC (14) Cl.** **27-01**
(52) **U.S. Cl.**
USPC **D27/100**
(58) **Field of Classification Search**
USPC D27/100, 162–165, 167, 170–172, 180, D27/181, 183, 193, 194; D24/110, 110.5
CPC ... A24D 3/17; A24D 3/04; A24D 3/10; A24D 3/00; A24D 1/045; A24D 1/047; A24F 13/06; A24F 7/04; A61M 15/00; A61M 15/06
See application file for complete search history.

D963,242 S * 9/2022 Zhou D27/194
D972,139 S * 12/2022 Wang D24/151
2019/0174816 A1 * 6/2019 Binassi A24D 1/02
2021/0329977 A1 * 10/2021 Sur A24F 40/60
2022/0039466 A1 * 2/2022 Newton A61M 15/06
2022/0168513 A1 * 6/2022 Holt A61M 15/009
2022/0400743 A1 * 12/2022 Meredith A24D 3/0216
2023/0041765 A1 * 2/2023 Musgrave A24D 3/18

OTHER PUBLICATIONS

Cigarette Filer By: Jobon found on Amazon (Feb. 13, 2023)
https://www.amazon.com/Cigarette-Filter-Portable-Reusable-Tobacco/dp/B07RNQRXN1/ref=pd_bxgy_vft_none_img_scl_2/139-7633142-6461065?pd_rd_w= (May 13, 2019).*

* cited by examiner

Primary Examiner — Rebecca Tsehaye
(74) *Attorney, Agent, or Firm* — Georgi Korobanov

(57) **CLAIM**

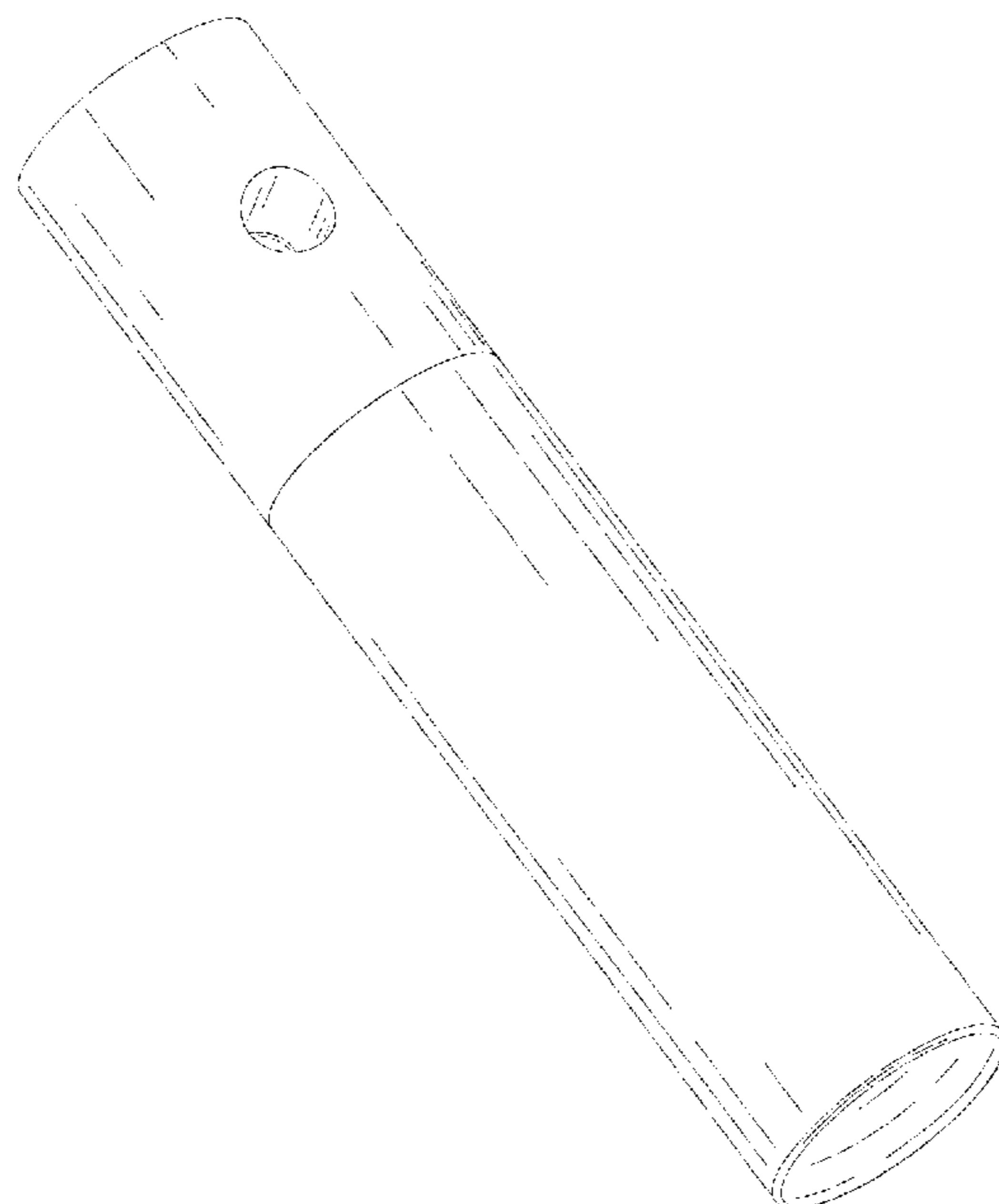
The ornamental design for a cigarette filter, as shown and described.

DESCRIPTION

FIG. 1 is a front, bottom and left side perspective view of a cigarette filter, showing our new design;
FIG. 2 is a rear, top, and right side perspective view thereof;
FIG. 3 is a front view thereof;
FIG. 4 is a rear view thereof;
FIG. 5 is a left side view thereof;
FIG. 6 is a right side view thereof;
FIG. 7 is an enlarged top plan view thereof;
FIG. 8 is an enlarged bottom plan view thereof; and,
FIG. 9 is a use state perspective view thereof.
The broken lines in FIG. 9 is directed to environment and form no part of the claimed design.

1 Claim, 9 Drawing Sheets

(56) **References Cited**
U.S. PATENT DOCUMENTS
D583,095 S * 12/2008 Plank D27/101
D692,613 S 10/2013 Morreale
D720,882 S * 1/2015 Albanese D27/101
D720,883 S * 1/2015 Albanese D27/101
D755,440 S * 5/2016 Collen D27/163
D802,207 S * 11/2017 Bramley D27/170
D815,350 S 4/2018 Coghlan
D876,719 S * 2/2020 Vermette D27/162
D889,034 S * 6/2020 Stewart D27/162
D898,994 S 10/2020 Greger
D907,289 S * 1/2021 Stewart D27/162
D921,969 S * 6/2021 Simrell D27/162
D950,841 S * 5/2022 Lowsky D27/162



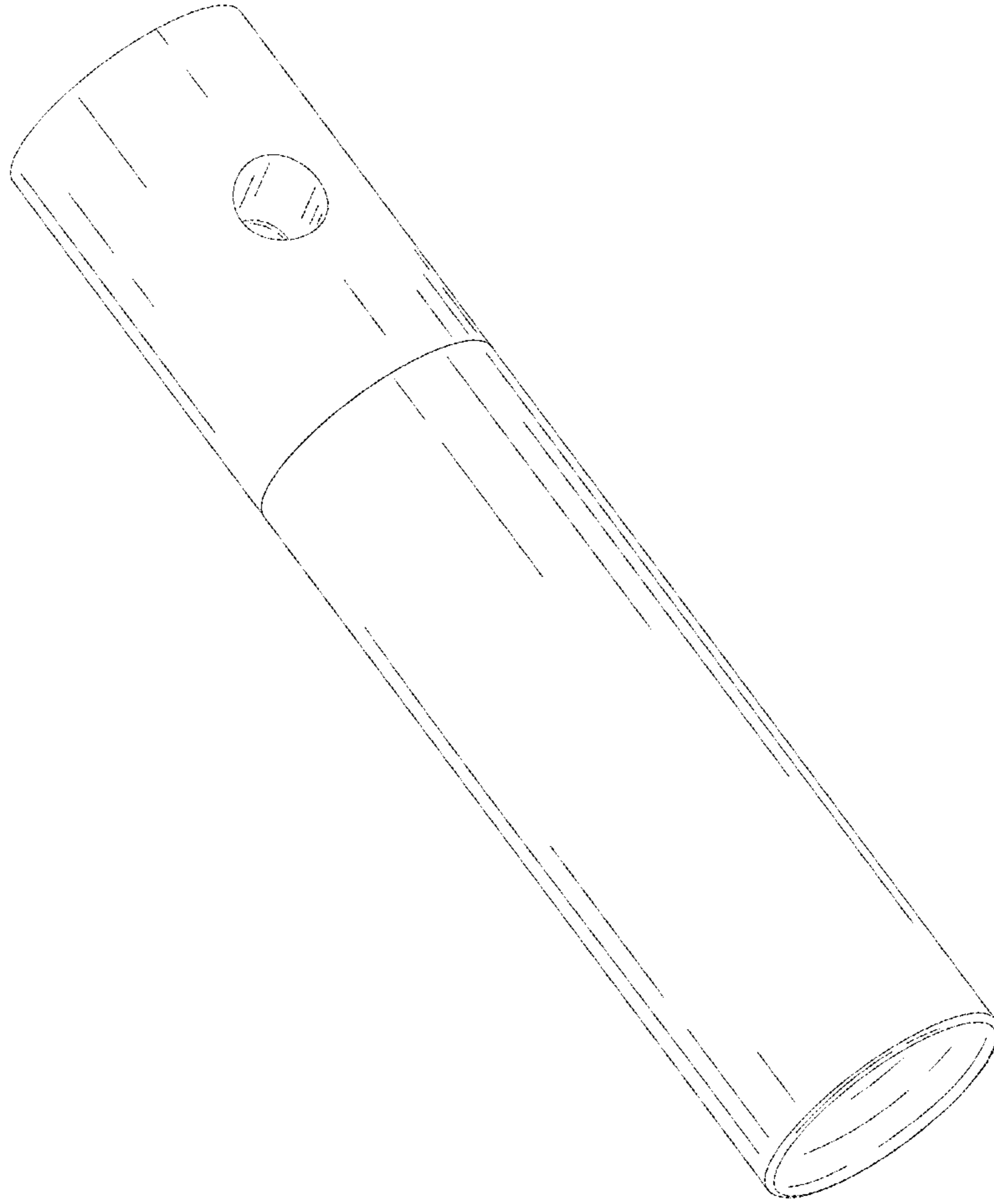


FIG. 1

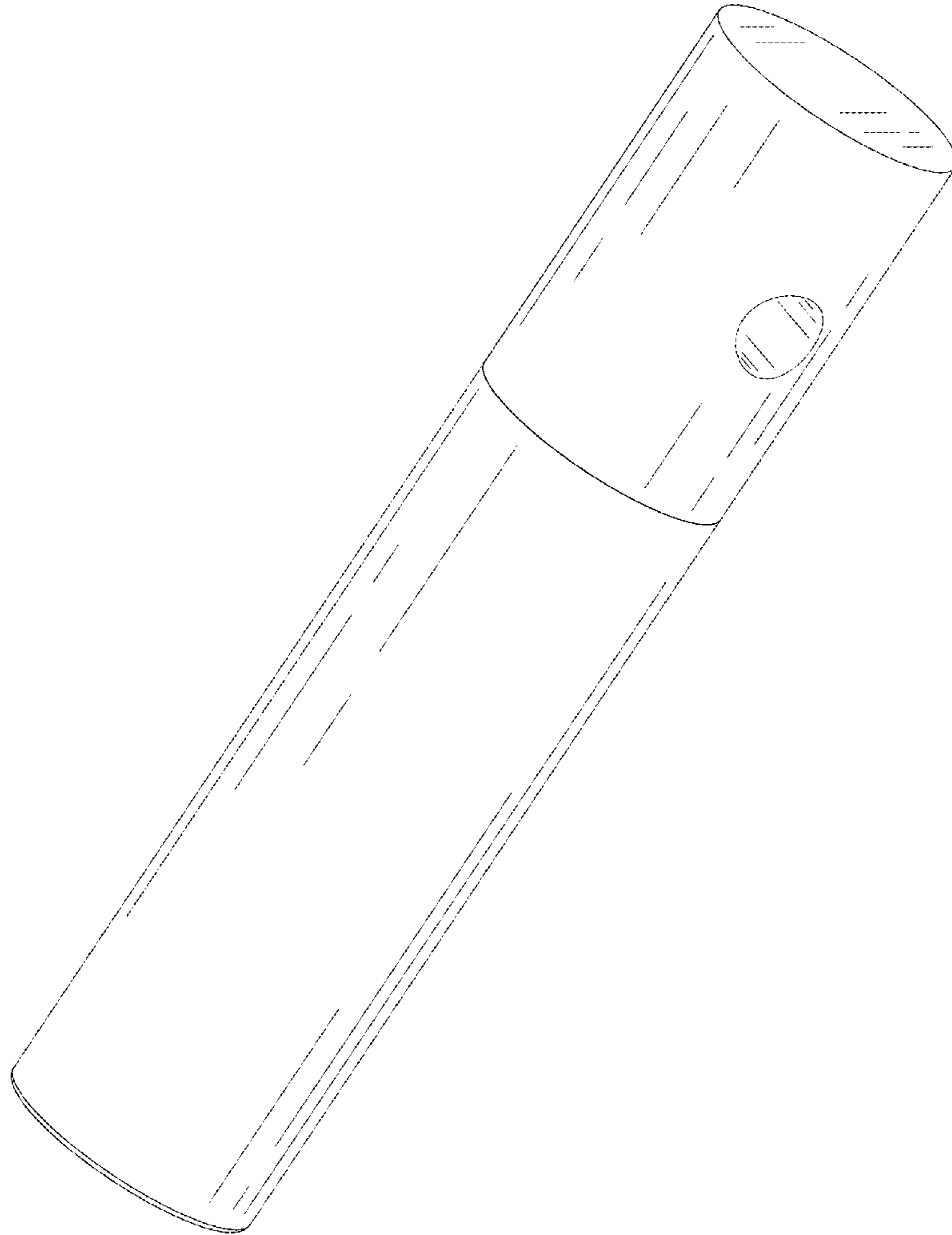


FIG. 2

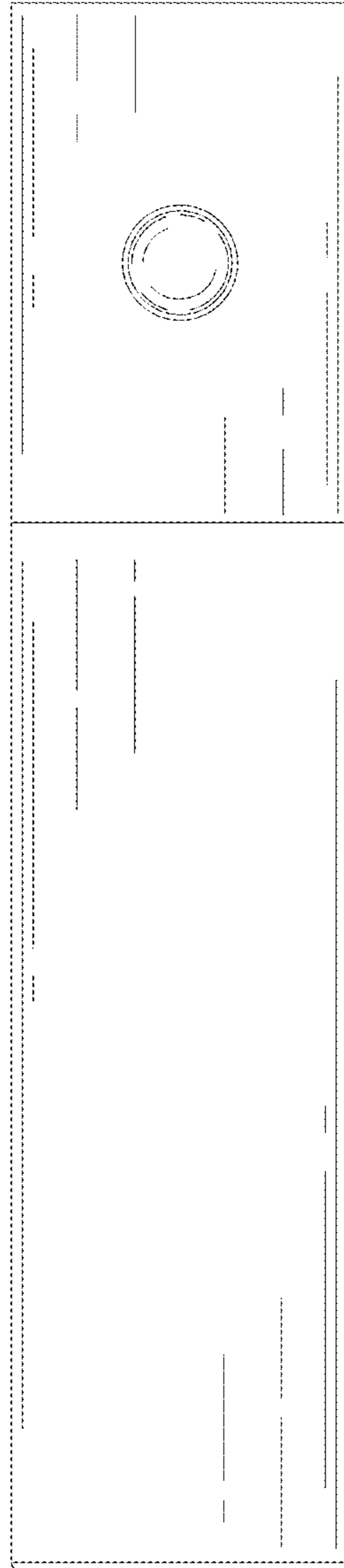


FIG. 3

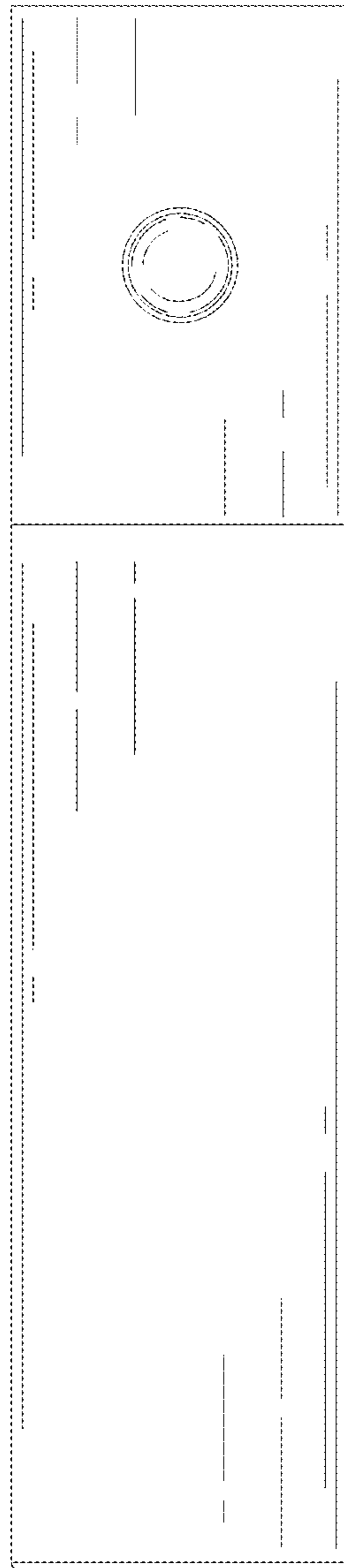


FIG. 4

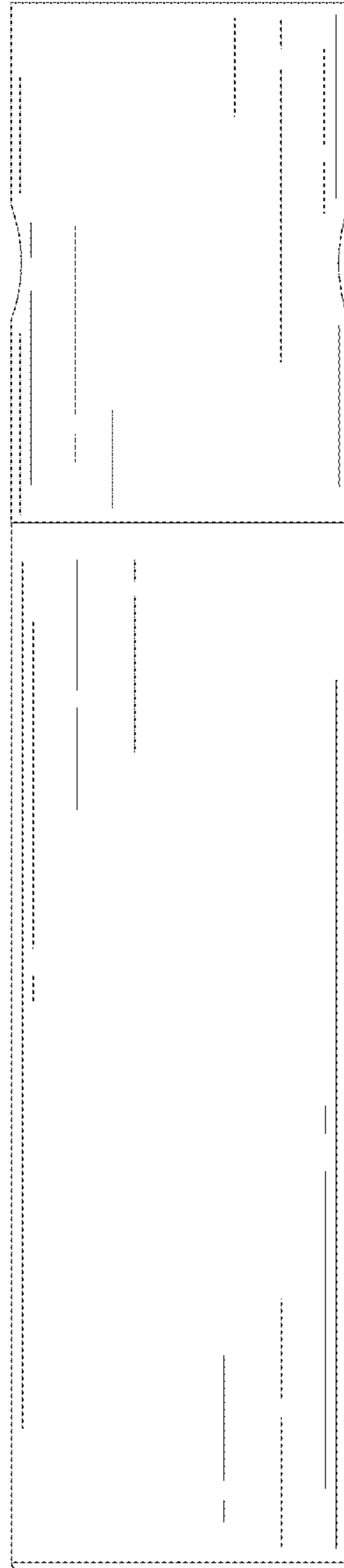


FIG. 5

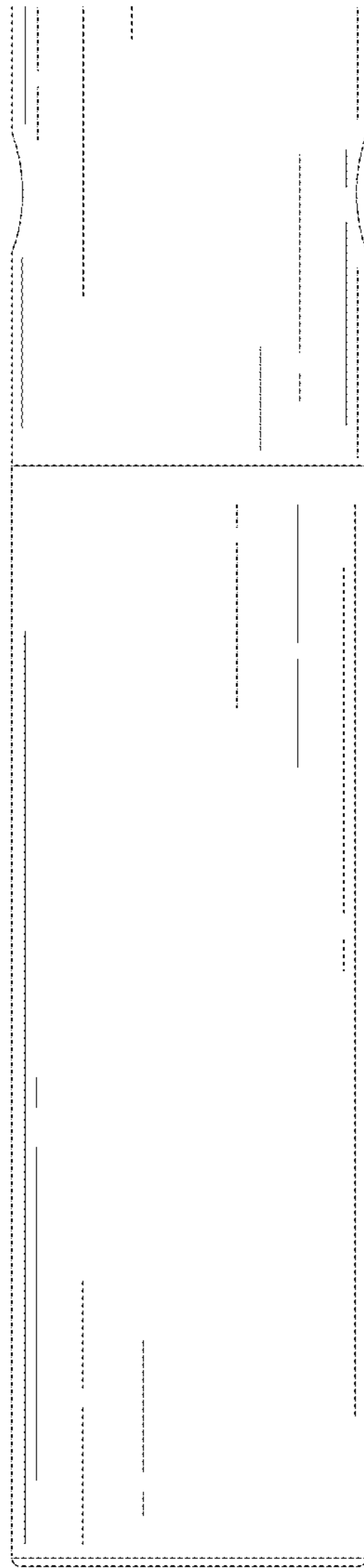


FIG. 6

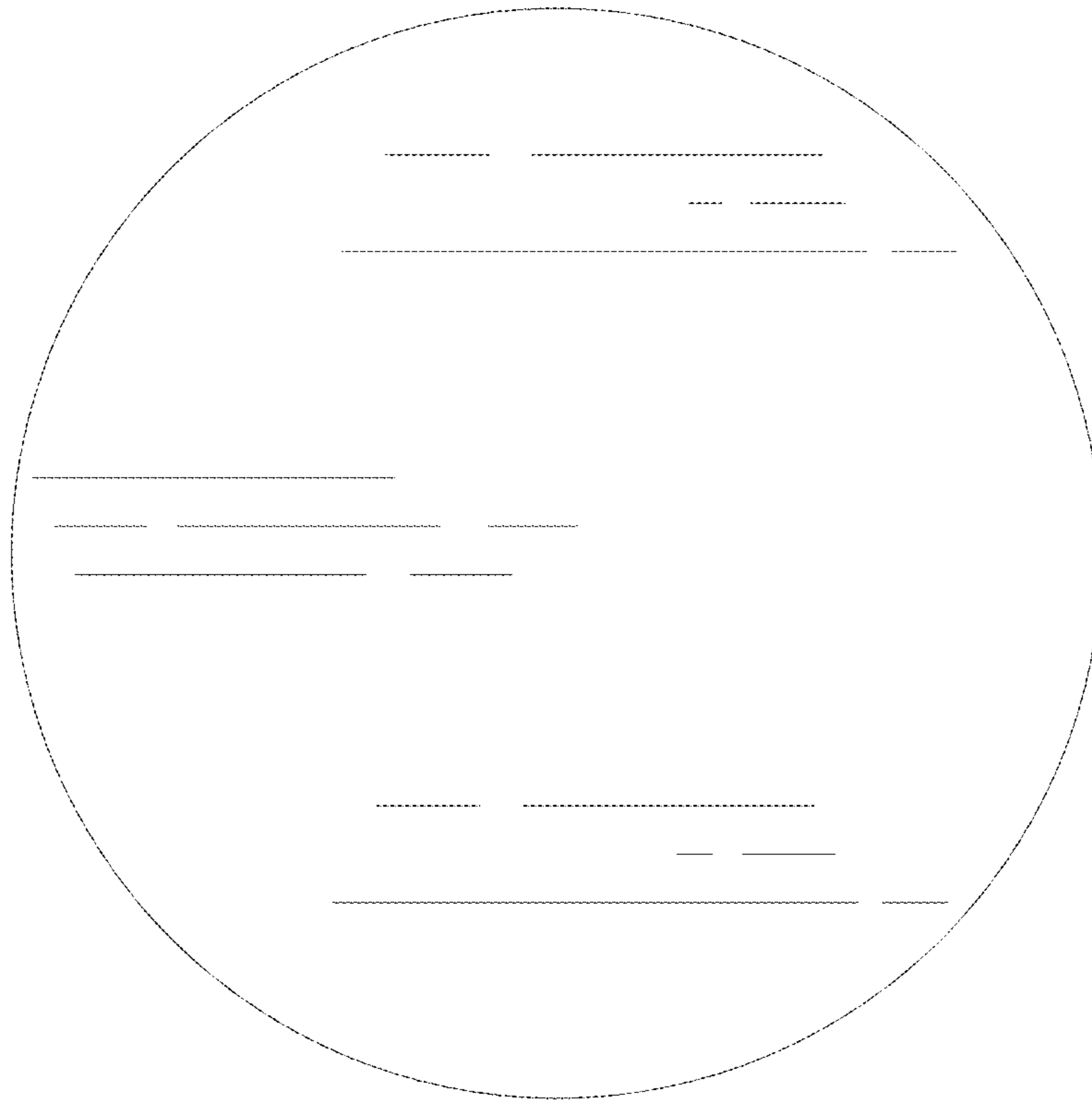


FIG. 7

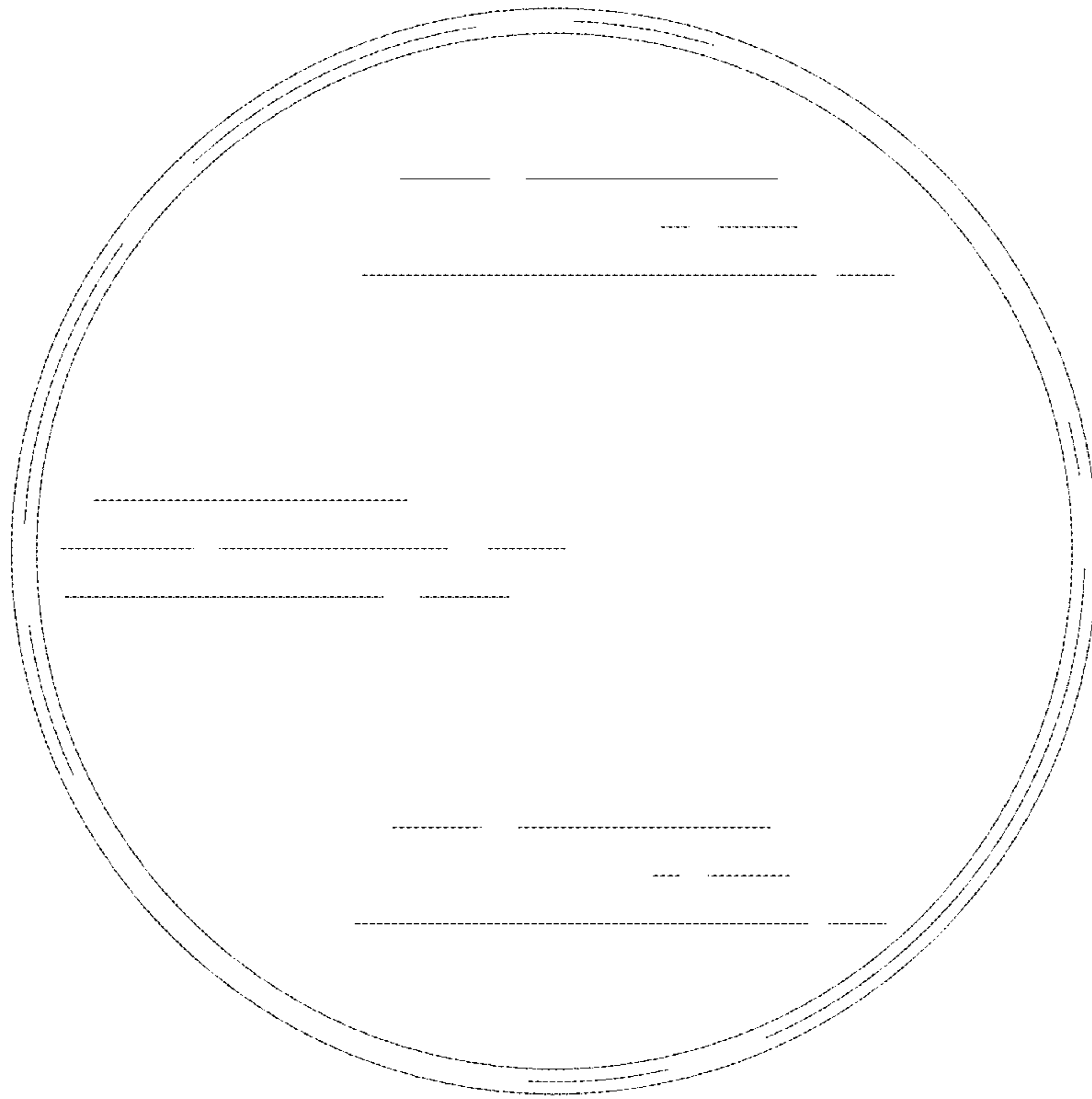


FIG. 8

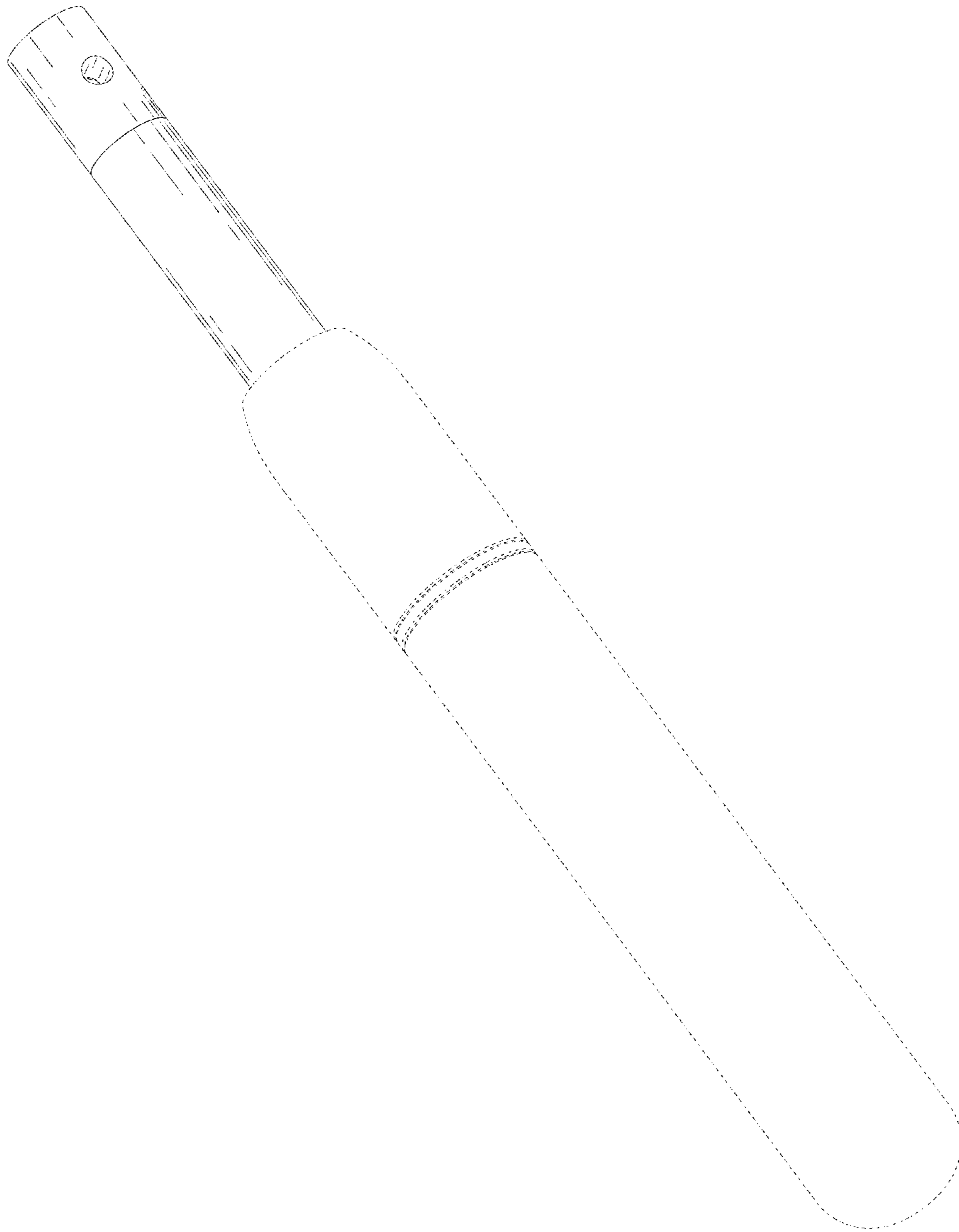


FIG. 9