



US00D984725S

(12) **United States Design Patent**
Egbert et al.

(10) **Patent No.:** **US D984,725 S**
(45) **Date of Patent:** **** Apr. 25, 2023**

- (54) **LIGHT FIXTURE BASE**
- (71) Applicant: **Jasco Products Company LLC**,
Oklahoma City, OK (US)
- (72) Inventors: **Ryan Egbert**, Oklahoma City, OK
(US); **Mark Solomon**, Oklahoma City,
OK (US); **Paul Townsend**, Oklahoma
City, OK (US)
- (73) Assignee: **Jasco Products Company LLC**,
Oklahoma City, OK (US)
- (**) Term: **15 Years**
- (21) Appl. No.: **29/794,824**
- (22) Filed: **Jun. 15, 2021**
- (51) **LOC (14) Cl.** **26-05**
- (52) **U.S. Cl.**
USPC **D26/142; D26/63**
- (58) **Field of Classification Search**
USPC D26/113, 118, 138, 145, 63-65, 120,
D26/142, 61; D10/106.6, 106.7, 106.8
CPC . F21V 21/28; F21V 7/09; F21V 21/30; F21V
21/29; F21S 8/036; F21S 8/00; F21W
2131/10
See application file for complete search history.

(56) **References Cited**

U.S. PATENT DOCUMENTS

D360,845 S	8/1995	Smith et al.	
D369,225 S *	4/1996	Sandell	D10/106.1
D377,619 S	1/1997	Sandell	
D441,126 S	4/2001	Dolan	
D492,612 S	7/2004	Huang	
D493,117 S	7/2004	Huang	
D524,673 S	7/2006	Dicke et al.	
D583,974 S *	12/2008	Johnson	D26/61
D592,800 S	5/2009	Li et al.	
D616,600 S	5/2010	Gilbert et al.	
D626,666 S	11/2010	Tamamoto et al.	

D645,582 S	9/2011	Kim et al.
D664,708 S	7/2012	Toft
D706,410 S	6/2014	Pan
D723,153 S	2/2015	Borkholder
D735,933 S	8/2015	Campagna
D743,528 S	11/2015	Wang
D744,633 S	12/2015	Wang
D756,503 S	5/2016	Wang

(Continued)

OTHER PUBLICATIONS

How to Reset a Motion Sensor Light, announced in YouTube on Aug. 26, 2020 [online], [site visited Dec. 21, 2022], Available from the internet URL: <https://www.youtube.com/watch?v=JXhs2MdZjFM> (Year: 2020).*

(Continued)

Primary Examiner — Kathleen L Jones

Assistant Examiner — Jasmine L. Comedy

(74) *Attorney, Agent, or Firm* — Bruce P. La Brie;
Resolution Legal Group

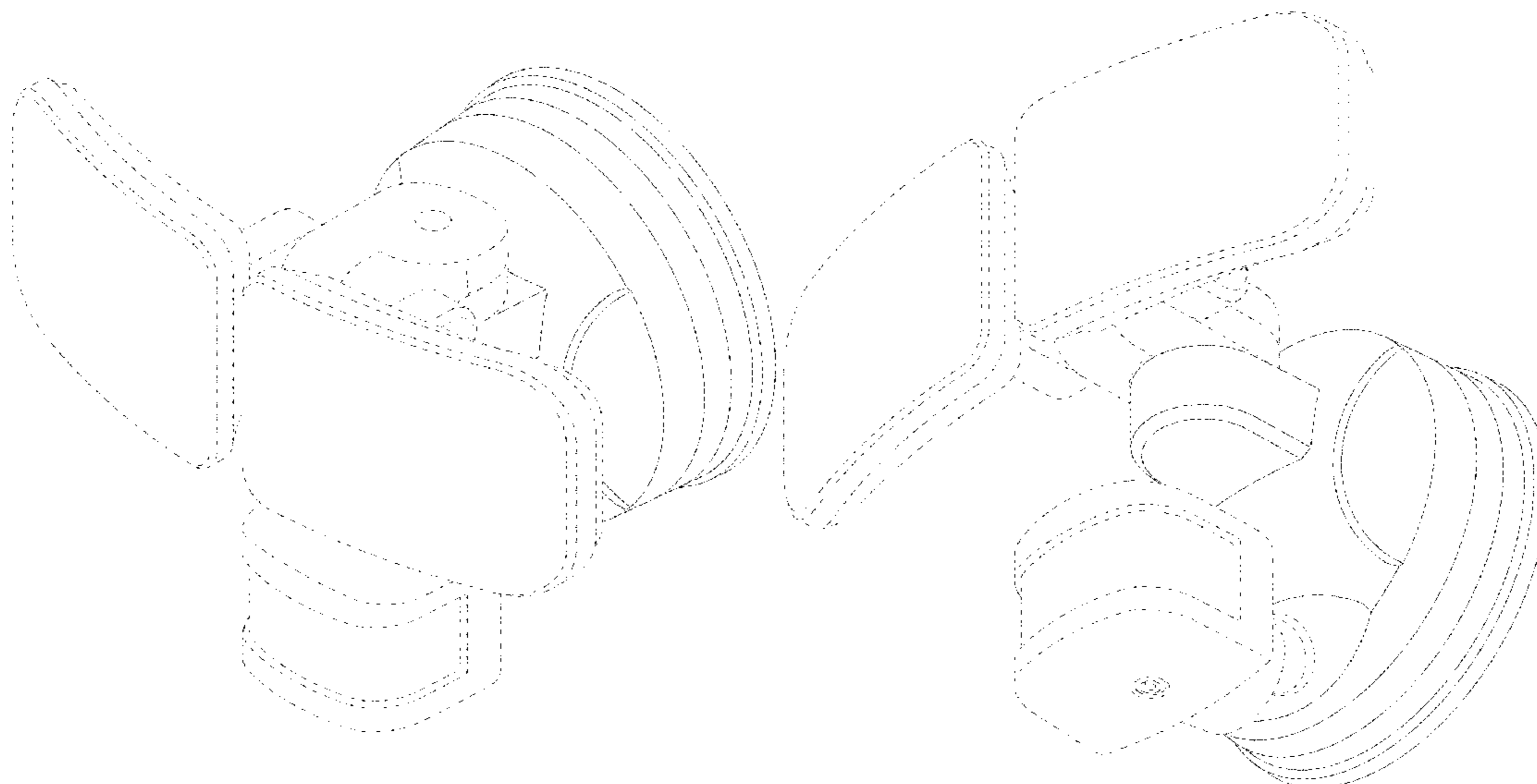
(57) **CLAIM**

The ornamental design for a light fixture base, as shown and described.

DESCRIPTION

FIG. 1 is a front elevation view of a light fixture base showing our new design;
FIG. 2 is a rear elevation view thereof;
FIG. 3 is a right side view thereof;
FIG. 4 is a left side view thereof;
FIG. 5 is a top view thereof;
FIG. 6 is a bottom view thereof;
FIG. 7 is a top right perspective view thereof; and,
FIG. 8 is a bottom right perspective view thereof.
The broken lines showing portions of the light fixture base, as well as those showing other features of the light fixture, form no part of the claimed design.

1 Claim, 4 Drawing Sheets



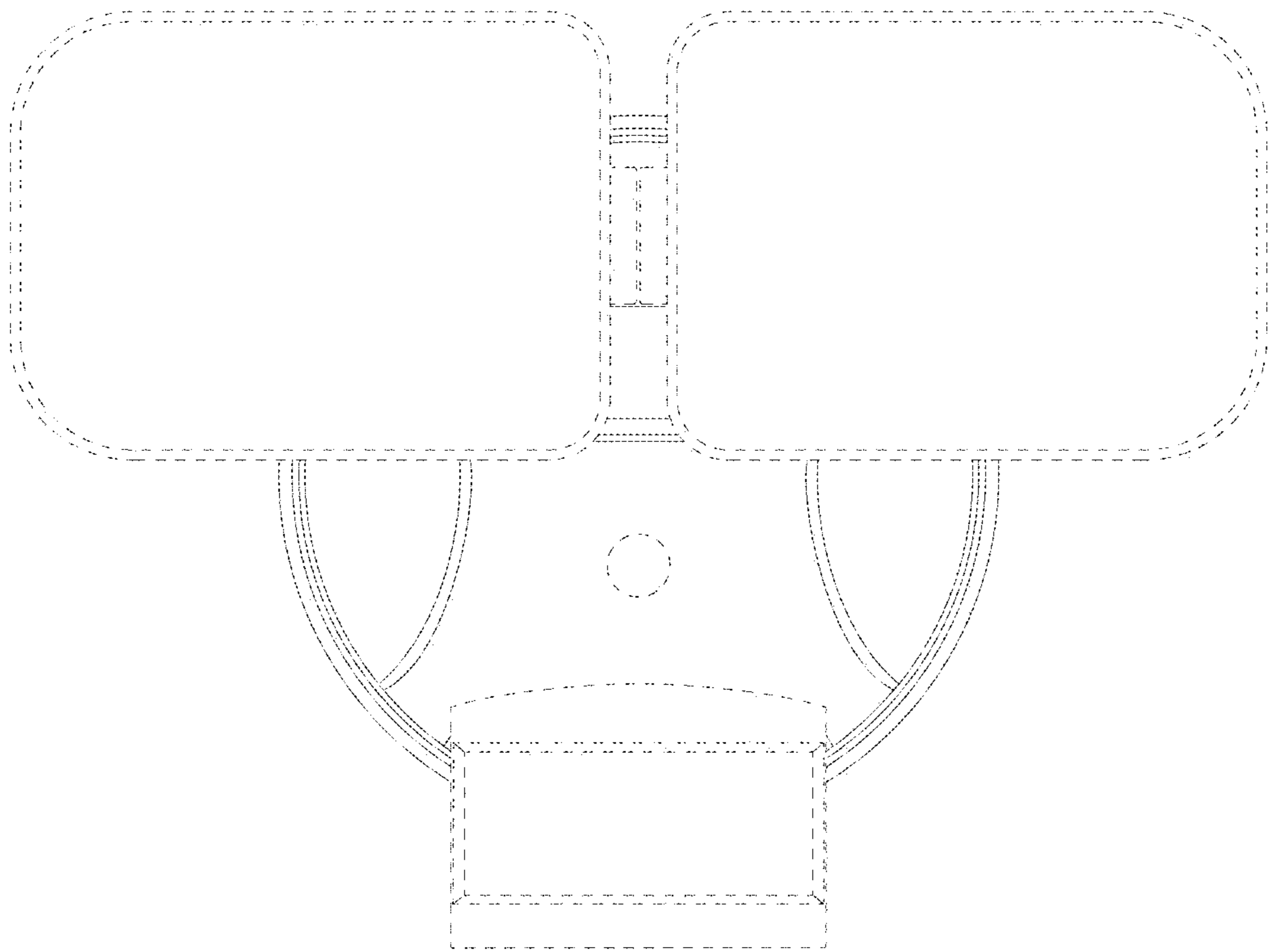


FIG. 1

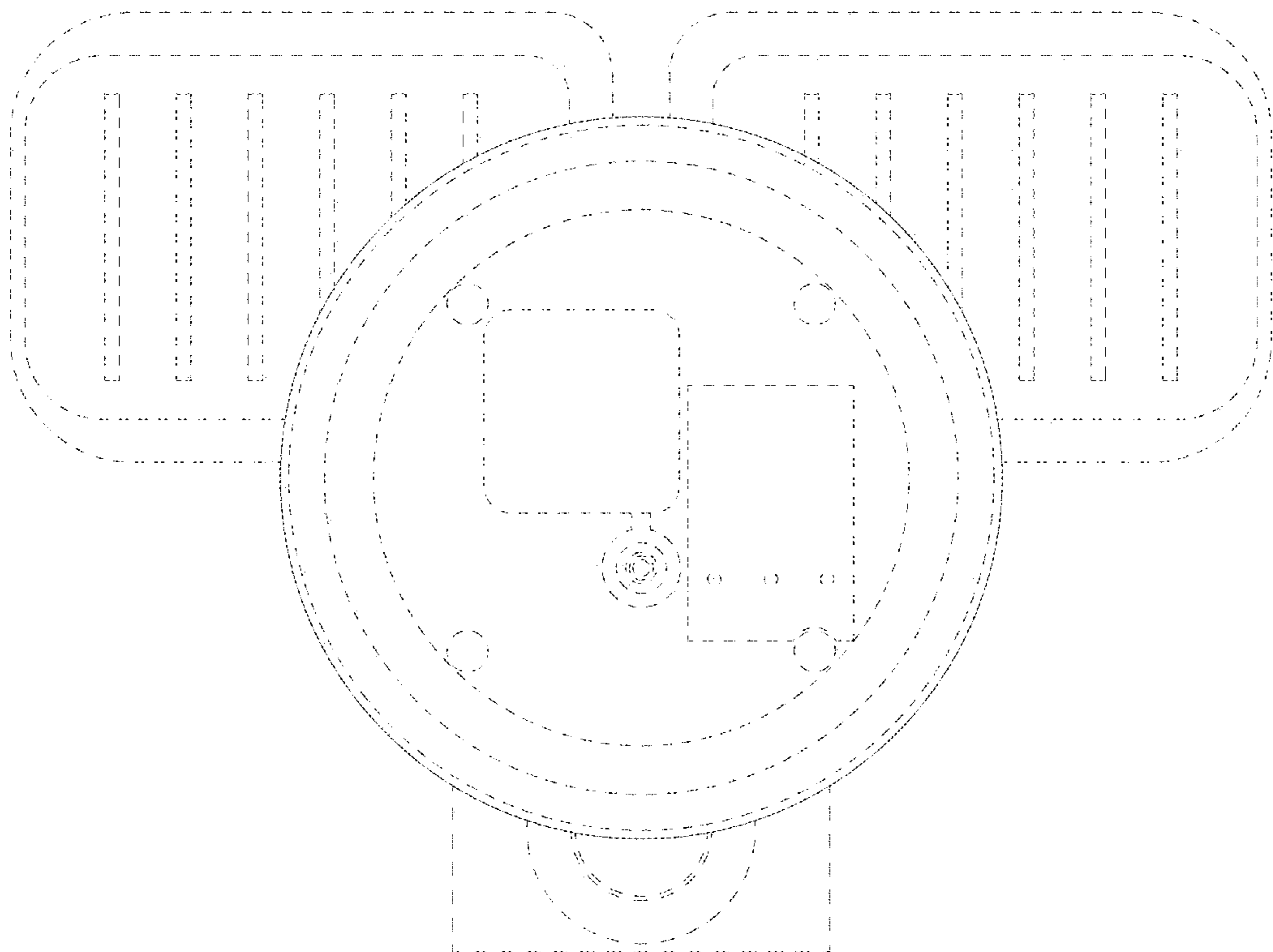


FIG. 2

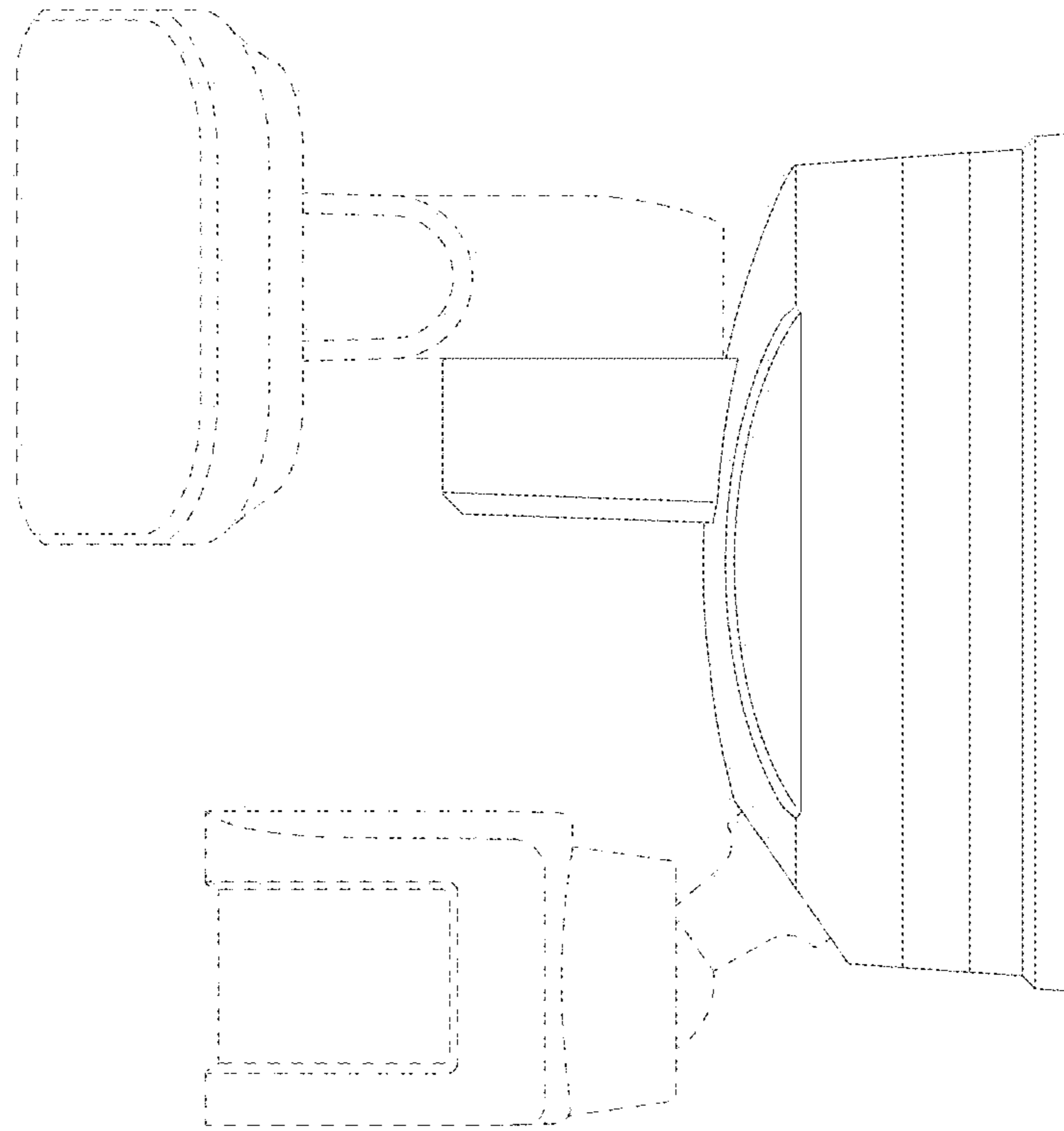


FIG. 3

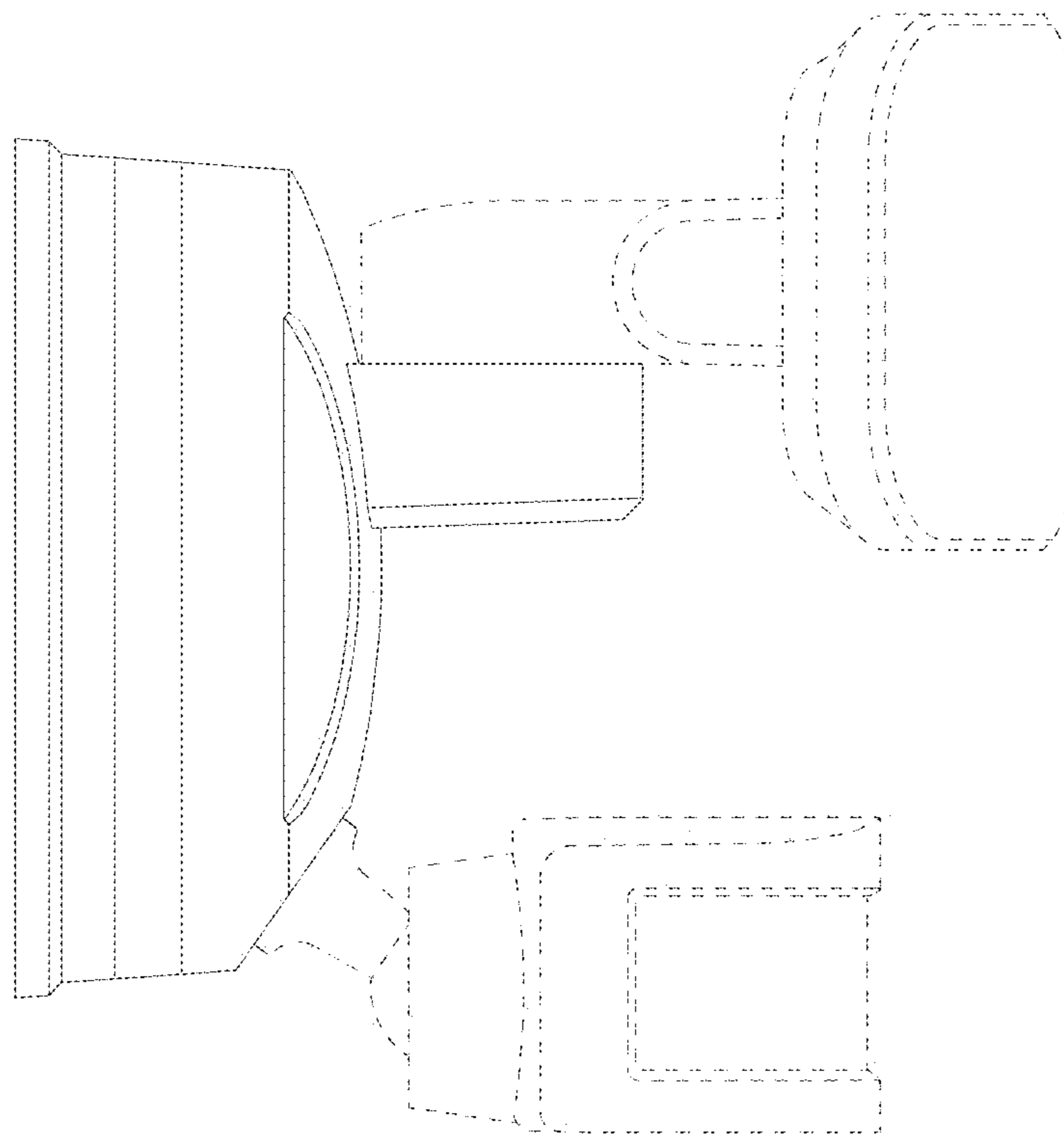


FIG. 4

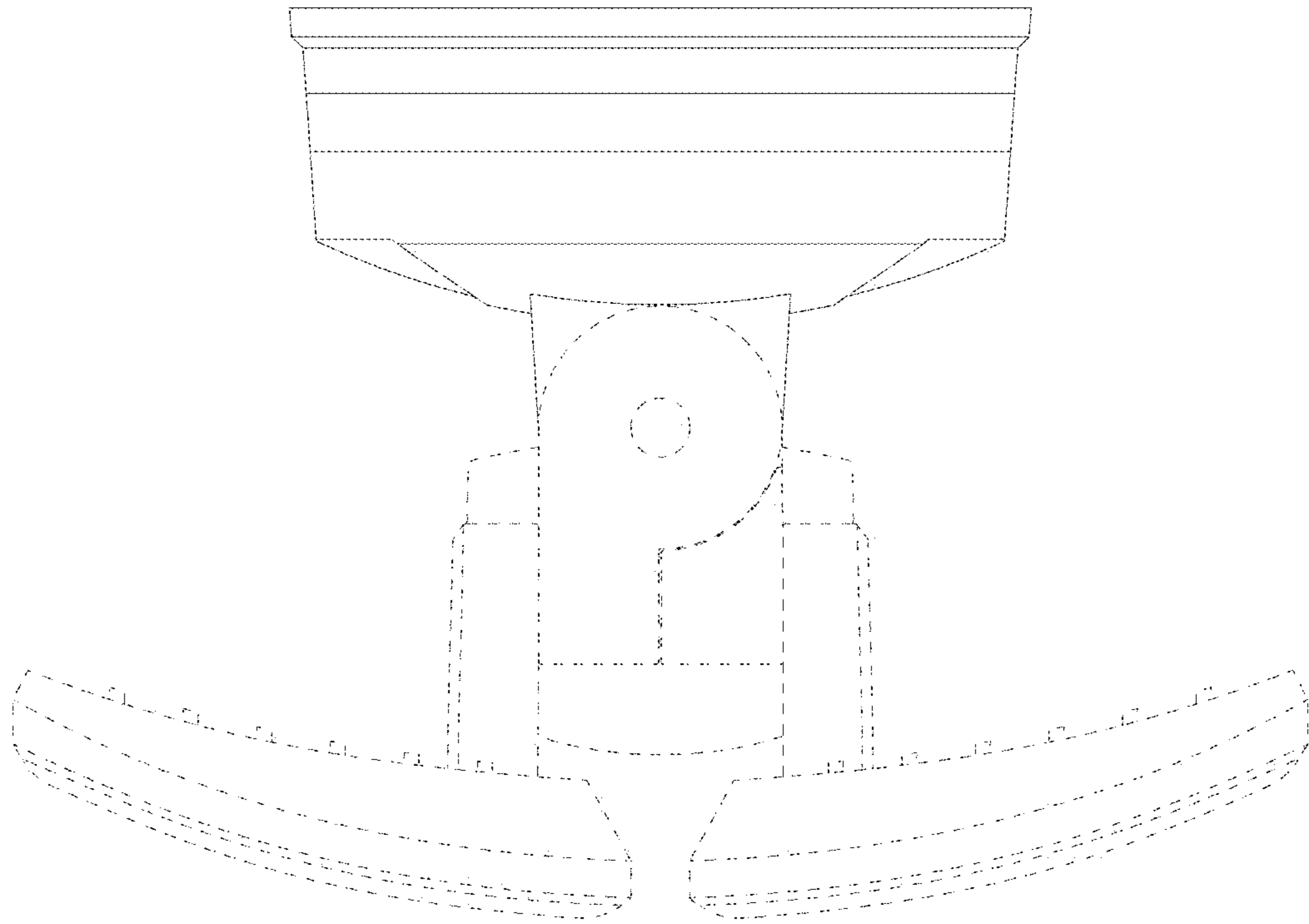


FIG. 5

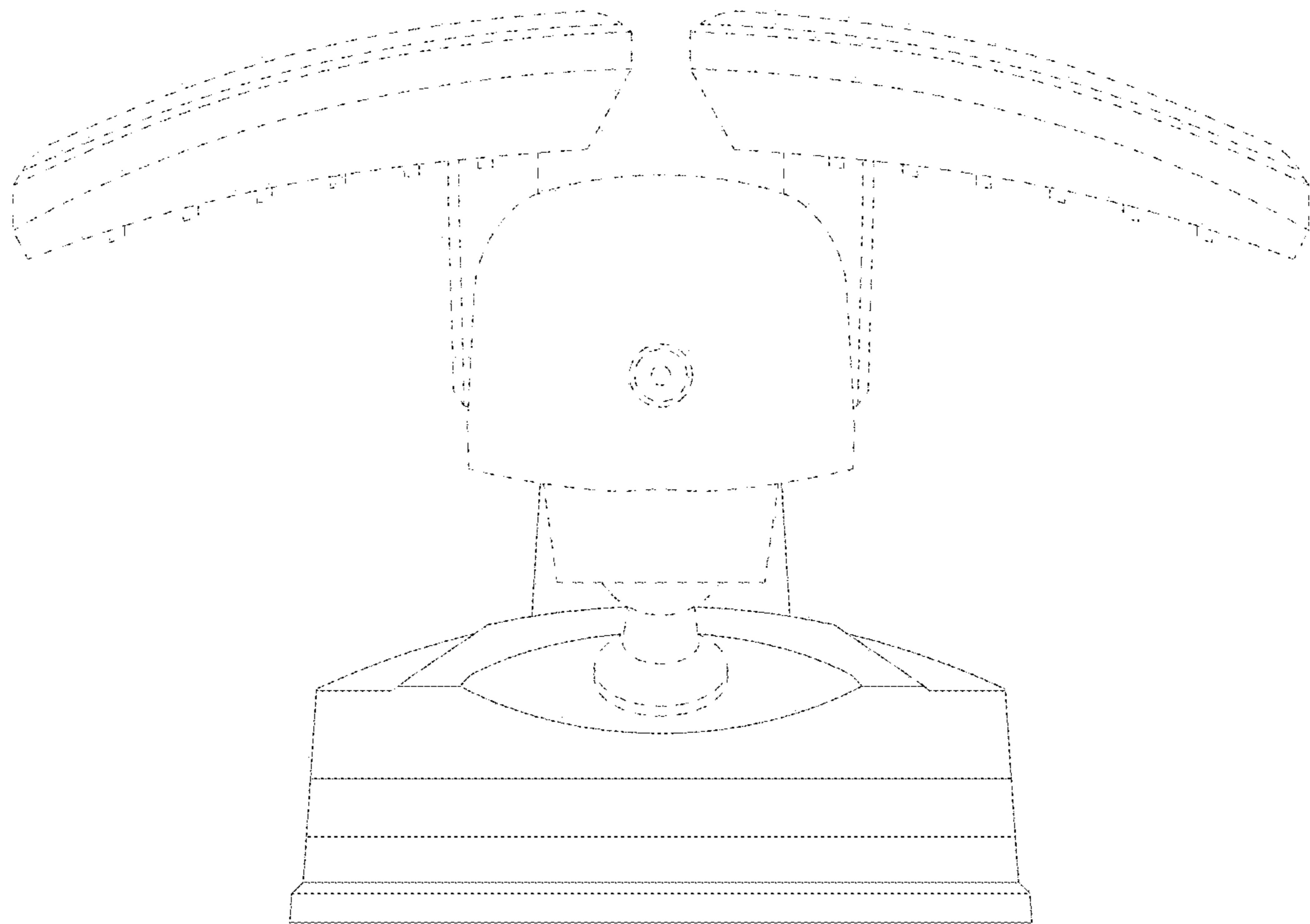


FIG. 6

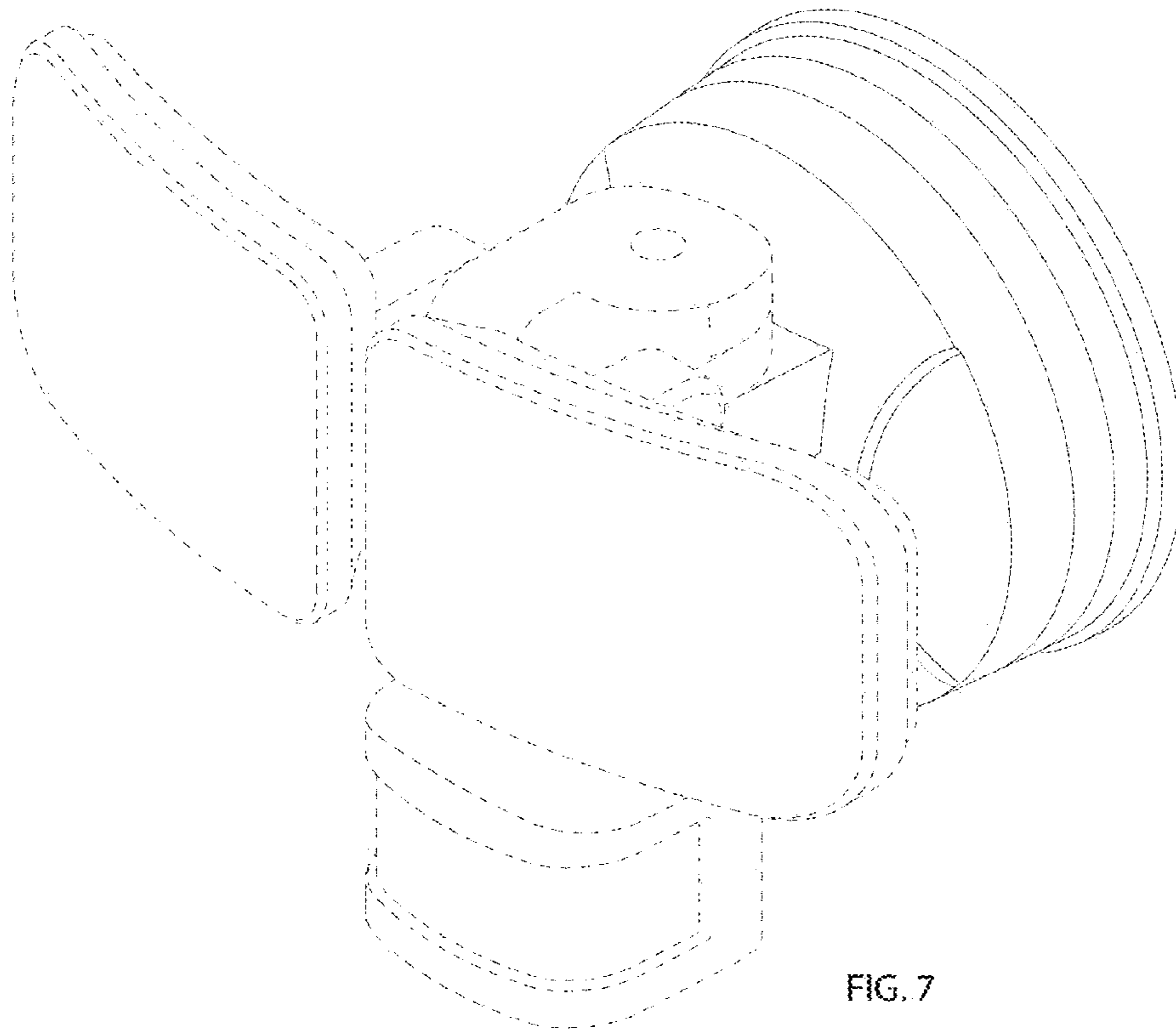


FIG. 7

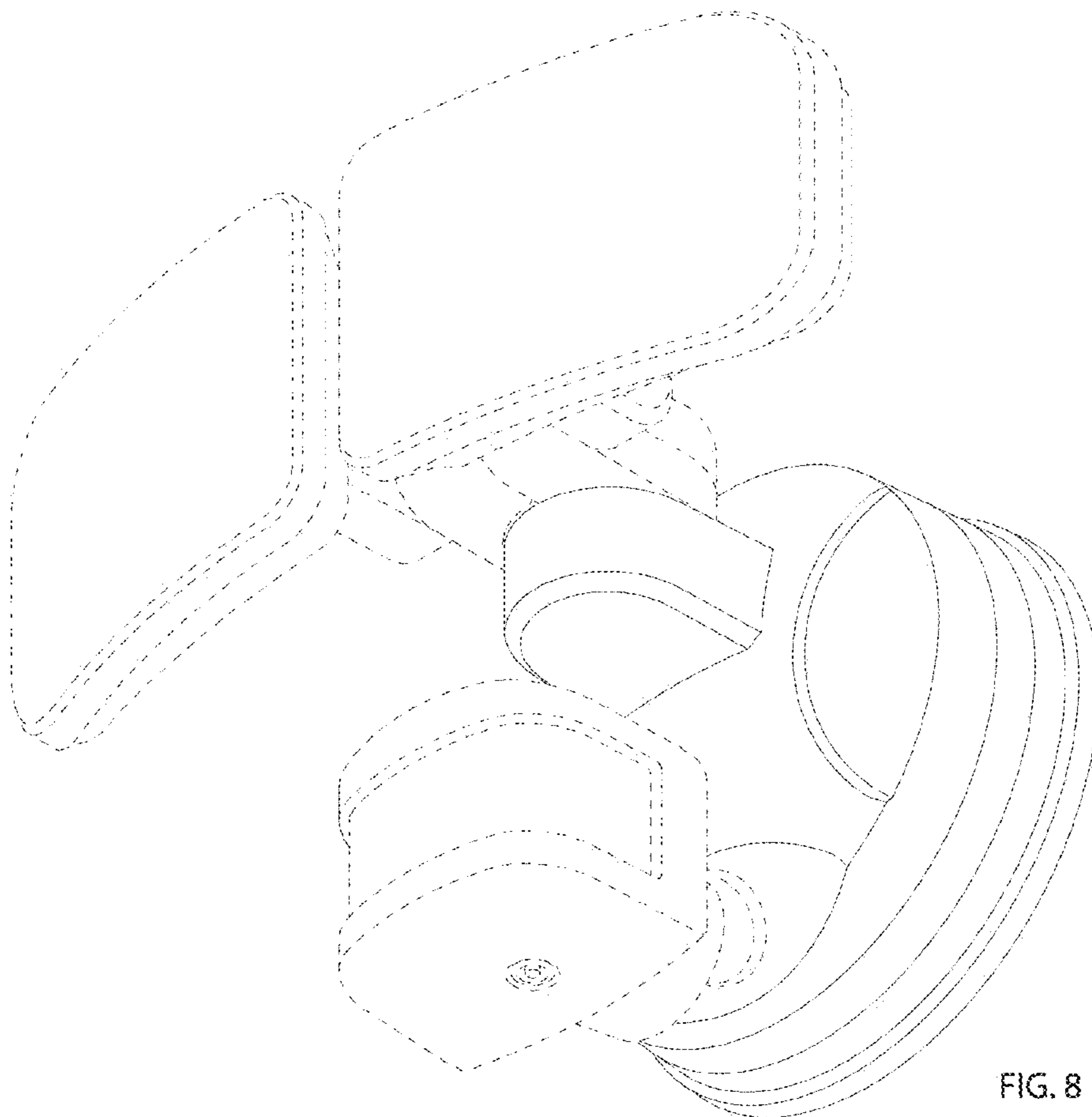


FIG. 8